

KÄRCHER

makes a difference

BD 30/4 C

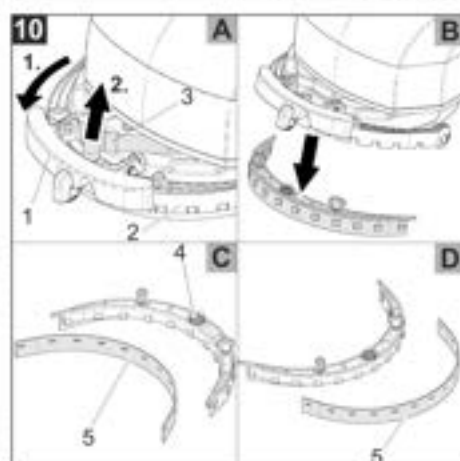
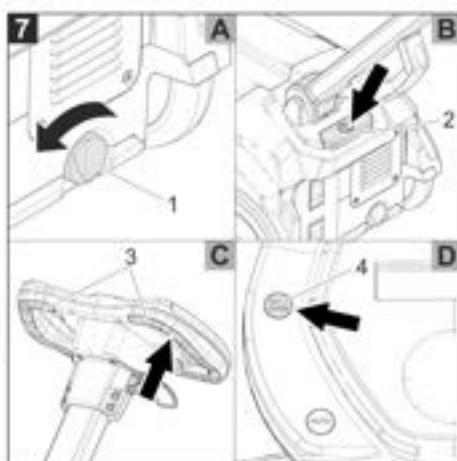
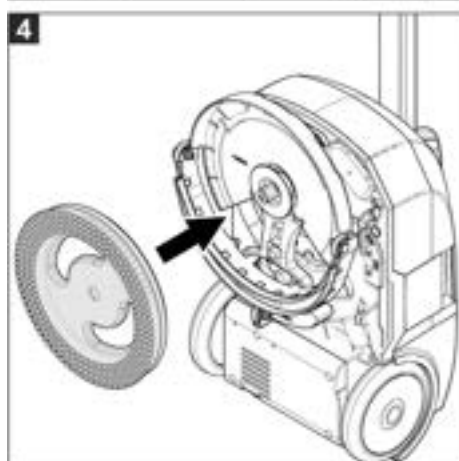
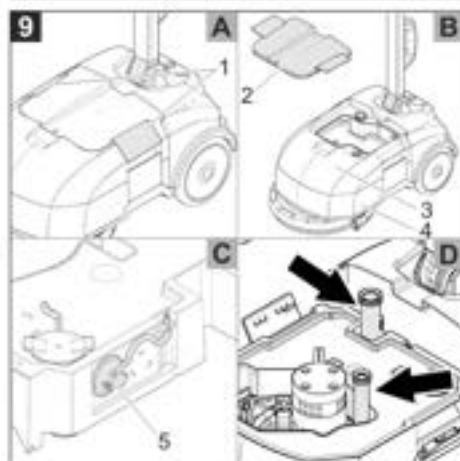
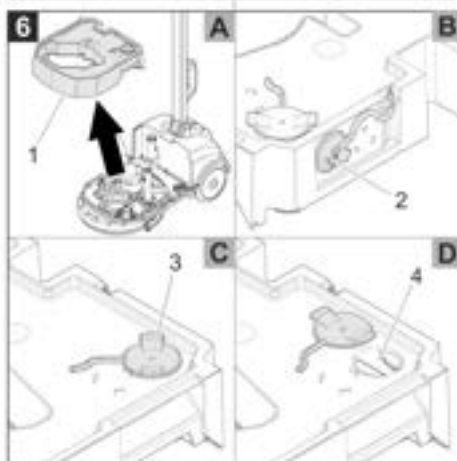
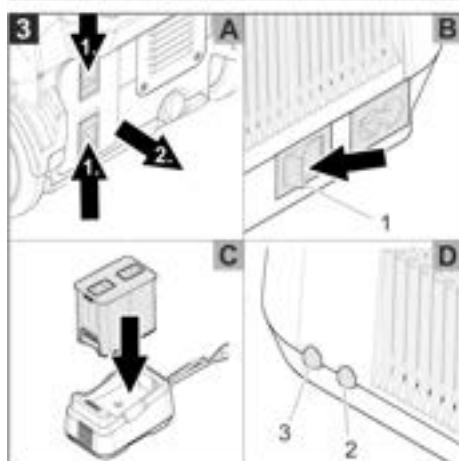
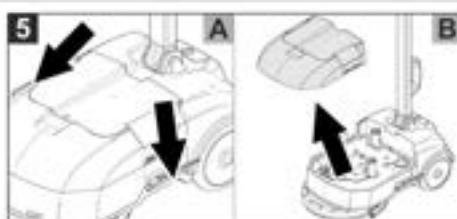
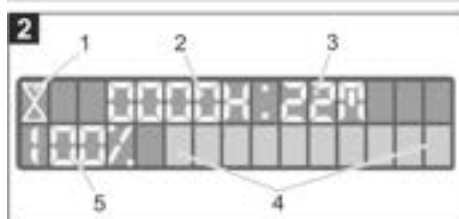
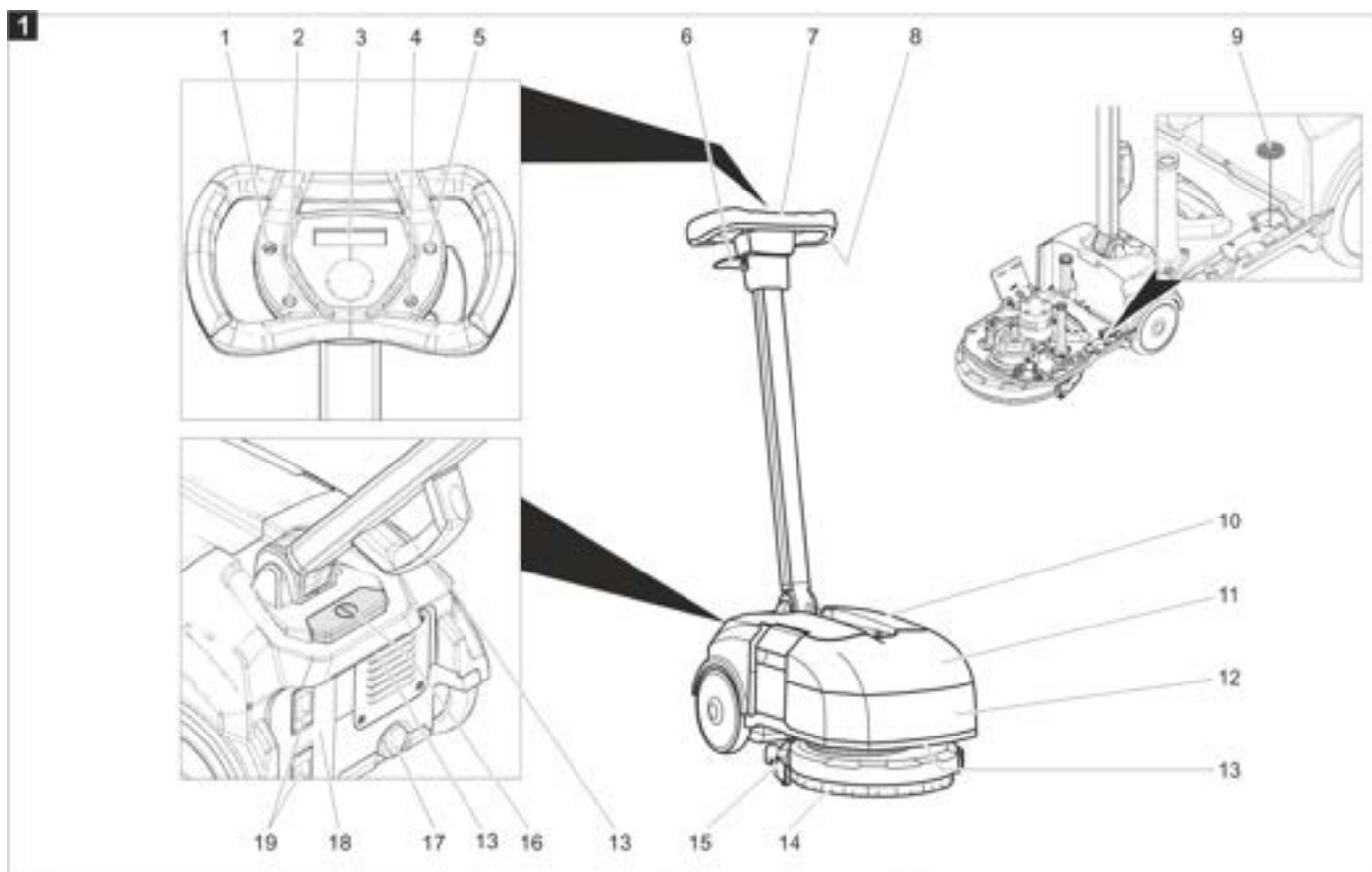
English	3
Français	9
Español	16



Register and win!
www.kärcher.com/register-and-win



59680040 02/17



IMPORTANT SAFETY INSTRUCTIONS

READ ALL INSTRUCTIONS BEFORE USING.

WARNING

To reduce the risk of fire, electric shock, or injury:

- DO NOT LEAVE appliance unattended when plugged in. Unplug from outlet when not in use and before servicing.

WARNING

- TO REDUCE THE RISK OF ELECTRIC SHOCK-USE INDOORS ONLY
- Do not allow to be used as a toy. Close attention is necessary when used near children.
- Use only as described in this manual. Use only manufacturer's recommended attachments.
- Do not use with damaged cord or plug. If appliance is not working as it should, has been dropped, damaged, left outdoors, or dropped into water, return it to a service center or call customer service.
- Do not pull or carry by cord, use cord as a handle, close a door on cord, or pull cord around sharp edges or corners. Do not run the unit over cord. Keep cord away from heated surfaces.
- Do not unplug by pulling on cord. To unplug, grasp the plug, not the cord.
- DO NOT handle plug or appliance with wet hands.
- Do not put any object into openings. Do not use with any opening blocked; keep free of dust, lint, hair, and anything that may reduce air flow.
- Keep hair, loose clothing, fingers, and all parts of body away from openings and moving parts.
- Turn off all controls before unplugging.
- Use extra care when cleaning on stairs.
- Do not use to pick up flammable or combustible liquids, such as gasoline, or use in areas where they may be present.
- Connect to a properly grounded outlet only. See Grounding Instructions.

SAVE THESE INSTRUCTIONS

GROUNDING INSTRUCTIONS

This appliance must be grounded. If it should malfunction or break down, grounding provides a path of least resistance for electric current to reduce the risk of electric shock.

This appliance is equipped with a cord having an equipment grounding conductor and ground plug.

The plug must be inserted into an appropriate outlet that is properly installed and grounded in accordance with all local codes and ordinances.

WARNING

Improper connection of the equipment-grounding conductor can result in a risk of electric shock.

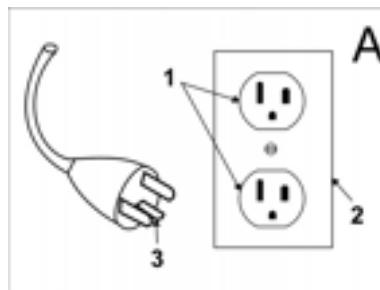
Check with a qualified electrician or service person if you are in doubt as to whether the outlet is properly grounded.

Do not modify the plug provided with the appliance.

If it will not fit the outlet, have a proper outlet installed by a qualified electrician.

This appliance is for use on a nominal 120-volt circuit and has a grounding attachment plug that looks like the plug illustrated in sketchpicture A. Make sure that the appliance is connected to an outlet having the same configuration as the plug. No adaptor should be used with this appliance.

CONNECT TO A PROPERLY GROUNDED OUTLET ONLY



- 1 Grounded outlet
- 2 Grounded outlet box
- 3 Grounded pin

OPERATING SAFETY RULES AND PRACTICES

Operator Responsibility

Safe operation is in the responsibility of the operator.

The operator shall be familiar with the operation and function of all controls and instruments before undertaking to operate the unit.

Before operating the unit, operators shall have read and be familiar with the operator's manual for the particular

unit being operated and they shall also abide by the safety rules and practices in the following paragraphs.

Before operating any unit, the operator shall be familiar with unusual operating conditions which may require additional safety precautions or special operating instructions.

General

Before starting to operate the unit be in operating position.

Do not start or operate the unit, any of its functions or attachments, from any place other than from the designated operators position.

Before leaving the operator's position:

- A bring the unit to a complete stop;
- B if the unit must be on an incline, block the wheels.

Maintain a safe distance from the edge of ramps, platforms, and other similar working surfaces.

Do not add to, or modify the unit.

Do not block access to fire aisles, stairways or fire equipment.

Travelling

Yield the right of way to pedestrians and emergency vehicles such as ambulances and fire trucks.

Cross railroad tracks at an angle wherever possible. Do not park closer than 6 ft (1800 mm) to the nearest rail of a railroad track.

Keep a clear view of the path of travel and observe for other traffic, personnel, and safe clearances.

Under all travel conditions, operate the unit at a speed that will permit it to be brought to a stop in a safe manner.

Do not indulge in stunt driving or horseplay.

Slow down for wet and slippery floors.

Before driving over a dockboard or bridge plate, be sure that it is properly secured. Drive carefully and slowly across the dockboard or bridge plate, and never exceed its rated capacity.

When negotiating turns, reduce speed to a safe level consistent with the operating environment. Make the turns smoothly. Except when maneuvering at a very low speed, turn the steering control at a moderate, even rate.

Operator care of the unit

If the unit is found to be in need of repair or in any way unsafe, or contributes to an unsafe condition, the matter shall be reported immediately to the user's designated authority, and the unit shall not be operated until it has been restored to safe operating condition.

If during operation the unit becomes unsafe in any way, the matter shall be reported immediately to the user's designated authority, and the unit shall not be operated until it has been restored to safe operating condition.

Do not make repairs or adjustments unless specifically authorized to do so.

MAINTENANCE AND REBUILD PRACTICES

Operation of the unit may be hazardous if maintenance is neglected or repairs, rebuilds, or adjustments are not performed in accordance with the manufacturer's design criteria. Therefore, maintenance facilities (on or off premises), trained personnel, and detailed procedures shall be provided.

Maintenance and inspection of the unit shall be performed in conformance with the following practices:

- A a schedules planned maintenance, lubrication, and inspection system shall be followed; consult the manufacturer's recommendations.
- B only trained and authorized personnel shall be permitted to maintain, repair, adjust, and inspect the unit, and in accordance with manufacturer's specifications.

Avoid fire hazards and have fire protection equipment present in the work area. Do not use an open flame to check the level of any fluid, especially battery electrolyte. Do not use open pans of fuel or flammable cleaning fluids for cleaning parts.

FIRE SAFETY STANDARD

Any unit not in safe operating condition shall be removed from service.

Repairs shall not be made in Class I, Class II, and Class III locations.

Fire Prevention: The unit shall be kept in a clean condition and reasonably free of lint, excess oil, and grease.

Noncombustible agents are preferred for cleaning the unit. Flammable liquids [those having flash points at or above 100°F (37,8°C)] are not allowed. Precautions regarding toxicity, ventilation, and fire hazard shall be appropriate for the agent or solvent used.

Nameplate Visibility: The unit type designations as shown on the nameplate and the type markers shall not be covered over with paint so that their identification information is obscured.

The unit shall not be used in classified areas.



Please read and comply with these original instructions prior to the initial operation of your appliance and store them for later use or subsequent owners.

Contents

Safety instructions	EN	2
Function	EN	2
Proper use	EN	2
Environmental protection	EN	3
Control elements	EN	3
Initial Start-Up	EN	3
Charging the battery	EN	3
Operation	EN	3
Transport	EN	4
Storage	EN	4
Care and maintenance	EN	5
Faults	EN	5
Accessories	EN	6
Accessories and Spare Parts	EN	6
Warranty	EN	6
Technical specifications	EN	6

Safety instructions

Before using the appliance for the first time, read and observe these operating instructions and the accompanying brochure: Safety information for brush cleaning units, 5.956-251.0.

Hazard levels

DANGER

Pointer to immediate danger, which leads to severe injuries or death.

WARNING

Pointer to a possibly dangerous situation, which can lead to severe injuries or death.

CAUTION

Pointer to a possibly dangerous situation, which can lead to minor injuries.

ATTENTION

Pointer to a possibly dangerous situation, which can lead to property damage.

Battery/charger

DANGER

- You may recharge the battery using only the original charger provided with the appliance or a charger approved by KÄRCHER.
- Check charger, mains cable and battery pack for damages before every use. Do not use damaged devices and get the damaged parts repaired only by experts.
- Do not use the charger if dirty or wet.
- The mains voltage must match the voltage mentioned on the type plate of the charger.

- Do not operate the charger in explosive environment.
- No metal parts may touch the contacts on the charger, risk of short circuit.
- Use the charger only to charge approved battery packs.
- Insert only clean and dry battery packs on the adapter of the charger.
- Do not charge batteries (primary cells); risk of explosion.
- Do not charge damaged battery packs. Replace damaged battery packs.
- Do not store battery packs along with metal objects; risk of short circuit.
- Do not open the accumulator.
- Do not dispose off battery packs by throwing them into fire or into household garbage.
- Avoid contact with liquids oozing out of defective battery packs. Rinse thoroughly if you accidentally come in contact with the fluid. Also consult a doctor if the fluid comes in contact with your eyes.
- Information on storage and transport can be obtained from your Kärcher aftersales service.

Symbols on the machine

	Risk of burns on account of hot surfaces!
--	---

Function

The scrubbing vacuum cleaner is used for the wet cleaning of level floors. A working width of 280 mm and a capacity of 3 l for the fresh water tank enable effective cleaning of small areas. The device is powered by an interchangeable battery.

Note:

The appliance can be equipped with various accessories depending on the cleaning task.

Please request our catalogue or visit us on the Internet at www.kaercher.com.

Proper use


- Use this appliance only as directed in these operating instructions.
- This appliance is suited for the commercial use, e.g. in hotels, schools, hospitals, factories, shops, offices, and rental companies.
 - Do not use the appliance on inclines.
 - The appliance may only be used for the cleaning of hard surfaces that


are not sensitive to moisture and polishing operations.

The application temperature ranges from +5°C to +40°C.

- The appliance is not suited for the cleaning of frozen grounds (e.g. in cold stores).
- The appliance may only be equipped with original accessories and spare parts.
- The appliance was designed for the cleaning of floors inside or of covered surfaces.
- The appliance is not intended for the cleaning of public traffic routes.
- The appliance is not suited for the use in potentially explosive environments.
- Use the charger in a dry environment only.
- Do not open the charger. Get repairs done only by authorised experts.

Environmental protection

 The packaging material can be recycled. Please do not place the packaging into the ordinary refuse for disposal, but arrange for the proper recycling.

 Old appliances contain valuable recyclable materials that should be recycled properly. Batteries, oil, and similar substances must not be released into the environment. Please dispose of your old appliances using appropriate collection systems. Remove the integrated battery prior to disposing of the appliance and dispose of properly!

Electrical and electronic devices often contain components which could potentially pose a danger to human health and the environment if handled or disposed of incorrectly. However, these components are necessary for the proper operation of the device. Devices marked with this symbol must not be disposed of with regular household rubbish.

Notes about the ingredients (REACH)

You will find current information about the ingredients at:

www.kaercher.com/REACH

Control elements

Figure 1, see cover page

- 1 "ECO mode" button
- 2 "AUTO" button
- 3 Display
- 4 Suction off/on button
- 5 Key detergent solution



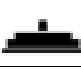



- 6 Steering device unlocking mechanism
- 7 Steering device
- 8 Safety button
- 9 Detergent solution filter
- 10 Cover waste water tank
- 11 waste water tank
- 12 Fresh water tank
- 13 Carrying handle
- 14 Disc brush
- 15 Vacuum bar
- 16 Power switch
- 17 Vacuum bar rotary knob
- 18 Battery
- 19 Release, battery

Display

Figure 2, see cover page

- 1 Hour glass, flashes when the operating hour counter is running
- 2 Operation duration, hours
- 3 Operation duration, minutes
- 4 Battery charging state, bar diagram
- 5 Battery charging state, in %

Symbols on the machine

	Release, battery
	Carrying handle
	Vacuum bar raised
	Vacuum bar lowered
	Drain opening, wastewater
	Do not swivel the device upwards when the tanks are full.

Initial Start-Up

- ➔ Fully charge the battery prior to initial commissioning.

Charging the battery

Figure 3, see cover page

- 1 Switch charger
- 2 LED red, charging state glows red: Battery is being charged off: Battery is fully charged
- 3 LED green, power supply

- ➔ Set the appliance switch to "0".
- ➔ Squeeze the battery unlocking mechanisms and pull the battery out of the device.
- ➔ Plug in the mains plug of the charger.
- ➔ Position the charger switch to "1" - the green LED glows.

- ➔ Insert the battery into the charger - the red LED glows.

The battery is fully charged if the red LED goes out.

Note:

The battery can remain in the charger after the charging process has finished.

Operation

Insert the battery

- ➔ Remove the battery from the charger.
- ➔ Push the battery into the device until unlocking mechanisms snap into place.

Install the brush

Figure 4, see cover page

- ➔ Swivel the device up.
- ➔ Push the brush onto the driver as far as it will go.

Adjusting the steering device

- ➔ Set the appliance switch to "0".
- ➔ Pull the steering device unlocking mechanism upwards and hold it.
- ➔ Change the inclination of the steering device.
- ➔ Release the unlocking mechanism for the steering device.

Removing the waste water tank

- ➔ Set the appliance switch to "0".
- ➔ Swivel the two locks downwards.
- ➔ Lift the waste water tank.

Fill fresh water reservoir

⚠ CAUTION

Risk of damage. Only use the recommended detergents. With other detergents, the operator bears the increased risk regarding the operational safety, risk of accident and reduced service life of the appliance. Only use detergents that are free of solvents, hydrochloric acid and hydrofluoric acid. Follow the safety instructions for using detergents.

Note:

Do not use highly foaming detergents. Observe the dosing notes.

Recommended detergents:

Application	Detergent	Dosage
Everday cleaner, alkali-based	RM 743	0,5 - 2,0%
Everyday cleaner, acidic, for sanitary applications, swimming pools, etc. Removes limestone deposits.	RM 738	0,5 - 3,0%
Wipe care EXTRA	RM 780	0,5 - 2,0%

Figure 6, see cover page

- 1 Fresh water tank
 - 2 Drain outlet fresh water tank
 - 3 Fresh water tank cover
 - 4 Fresh water reservoir filler neck
- Remove the waste water tank.
 - Remove the fresh water reservoir from the appliance.
 - Check whether the drain opening has been closed correctly.
 - Open the cover of the fresh water reservoir.
 - Pour in water/detergent mixture. Maximum temperature of the liquid 50 °C.
 - Close the cover of the fresh water reservoir.
 - Insert the fresh water container into the appliance.
 - Attach and lock the waste water tank.

Cleaning

Figure 7, see cover page

- 1 Vacuum bar rotary knob
 - 2 Power switch
 - 3 Safety button
 - 4 "ECO mode" button
- Turn the rotary knob for lowering the vacuum bar in an anti-clockwise direction - the vacuum bar is lowered.
 - Set the appliance switch to "I".
 - Pull the safety switch towards the steering device - the brush drive and suction are switched on. The device will move forwards.

Selecting the cleaning performance

At the start of cleaning, the device is in ECO mode. "ECO" is shown in the display.

The "ECO mode" button switches back and forth between ECO mode and increased cleaning performance.

- Release the safety switch.
- Press the "ECO mode" button.
- Pull the safety switch towards the steering device.

Dispensing the detergent solution

- Press the Detergent solution button when the device is running. The dosing is shown in the display. Dosing is continued by one stage each time the button is pressed.

Figure 8, see cover page

- 1 Detergent solution dosing OFF
- 2 Detergent solution dosing stage 3

Suction during reverse movement

- Press the steering device downwards so that the brush is raised - the vacuum bar turns to the front side of the device.

- Lower the device.
- Pull the device backwards.

Cleaning without suction

- Set the appliance switch to "0".
- Swivel the vacuum bar centrally under the device.
- Raise the vacuum bar, press the vacuum bar rotary knob in and turn it clockwise.
- Set the appliance switch to "I".
- Press the Suction button - suction is switched off after approx. 5 seconds.
- Perform the cleaning operation.

Complete cleaning

- Release the safety switch.
- Set the appliance switch to "0".
- Raise the vacuum bar, press the vacuum bar rotary knob in and turn it clockwise.
- Pull the steering device unlocking mechanism upwards and hold it.
- Put the steering column in a vertical position.
- Release the unlocking mechanism for the steering device.

Emptying the waste Water tank

Note:

If the waste water tank is full, the float closes the suction channel. The suction operation is interrupted. Empty the waste water tank.

⚠ WARNING

Please observe the local provisions regarding the wastewater treatment.

- Switch the device off (see section "Completing cleaning").

Figure 9, see cover page

- 1 Lock
 - 2 Cover dirt water reservoir
 - 3 waste water tank
 - 4 Fresh water tank
 - 5 Closure waste water tank
- Swivel the two locks upwards.
 - Remove the lid.
 - Remove the waste water tank (see section "Removing the waste water tank").
 - Pour out dirt water.
 - Open the lock.
 - Completely empty the tank.
 - Rinse the waste water tank with clear water.
 - Close the lock.
 - Carefully attach the waste water tank onto the fresh water tank. Do not damage the components marked with arrows.
 - Swivel the locks upwards.
 - Attach and lock the cover.

Emptying the Fresh Water Reservoir

- Remove the waste water tank (see section "Removing the waste water tank").

Figure 6, see cover page

- 1 Fresh water tank
 - 2 Drain outlet fresh water tank
 - 3 Fresh water tank cover
 - 4 Fresh water reservoir filler neck
- Remove the fresh water reservoir from the appliance.
 - Open the drain opening of the fresh water tank.
 - Pour out the cleaning liquid.
 - Close the cover of the fresh water reservoir.
 - Insert the fresh water container into the appliance.

Transport

⚠ CAUTION

Risk of personal injury or damage! Mind the weight of the appliance during transport.

- Set the appliance switch to "0".
 - Pull the steering device unlocking mechanism upwards and hold it.
 - Swivel the steering device into the vertical position.
 - Release the unlocking mechanism for the steering device.
 - Push the appliance.
- or
- Set the appliance switch to "0".
 - Pull the steering device unlocking mechanism upwards and hold it.
 - Swivel the steering device into the horizontal position.
 - Lift appliance by the carrying handle and carry it.

- When transporting in vehicles, secure the appliance according to the guidelines from slipping and tipping over.

Storage

⚠ CAUTION

Risk of personal injury or damage! Consider the weight of the appliance when storing it. This appliance must only be stored in interior rooms.

Care and maintenance

⚠ DANGER

Risk of injury if the machine is left running in an unattended state.

Turn the appliance off and remove the battery before carrying out any tasks on the machine.

ATTENTION

Risk of damage to the device on account of water leakage. Empty the waste water tank and the fresh water tank prior to performing maintenance tasks on the device.

Maintenance schedule

After the work

ATTENTION

Risk of damage. Do not sluice the appliance with water and do not use aggressive detergents.

- Empty the waste water tank.
- Rinse the waste water tank with clear water.
- Clean the lid of the waste water container under running water. Clean the float valves with a wet cloth. Flush the opening marked "A" with water. Blow out the opening marked "C" with compressed air.
- Empty the fresh water reservoir.
- Rinse the appliance: Fill the fresh water reservoir with clear water (without detergent) and let the appliance run for one minute with the brush water supply turned on.
- Empty the fresh water reservoir.
- Clean the outside of the appliance with a damp cloth which has been soaked in mild detergent.
- Clean the vacuum bar, check for wear and replace the suction lips if required (see "Maintenance tasks").
- Clean the suction hose.
- Clean the brush and check for wear and tear. Minimum bristle length: 10 mm.
- Charge the battery.

Weekly

- Clean the detergent solution filter (see "Maintenance tasks").

Yearly

- Have the prescribed safety inspection carried out by an electrician.

Maintenance Works

Clean the suction bar

Figure 10, see cover page

- 1 Suction bar support
 - 2 Vacuum bar
 - 3 Suction hose
 - 4 Seal
 - 5 Vacuum lip
- Swivel the vacuum bar onto the front side of the device.
 - Pull out the suction hose from the vacuum bar.
 - Turn the locks by 90° in an anti-clockwise direction.
 - Raise the holder and remove the vacuum bar (do not lose the seal).
 - Rinse off the vacuum bar and suction lips using water and then clean them with a wet cloth.
 - Check the suction lips. Turn or replace the worn suction lips.
 - Reattach the vacuum bar to the device.

Exchanging the brush

- Remove the fresh water reservoir.
- Remove the waste water tank.
- Pull the steering device unlocking mechanism upwards and hold it.
- Swivel the steering device into the vertical position.
- Release the unlocking mechanism for the steering device.
- Tilt the appliance rearward.
- Pull out the brush.
- Push the new brush onto the driver as far as it will go.

Cleaning the detergent solution filter

- Remove the fresh and waste water tanks.
- Remove the detergent solution filter and rinse it off using water.
- Insert the filter again.
- Attach the fresh and waste water tanks.

Frost protection

In case of danger of frost:

- Empty the fresh and dirt water reservoirs.
- Store the appliance in a frost-protected room.

Faults

⚠ DANGER

Risk of injury if the machine is left running in an unattended state.

Turn the appliance off and remove the battery before carrying out any tasks on the machine.

ATTENTION

Risk of damage to the device on account of water leakage. Empty the waste water tank and the fresh water tank prior to performing maintenance tasks on the device.

In case of faults that cannot be remedied using the table below please contact the customer service.

Machine does not start

- Set main switch to "1".
- If an error message appears on the display, switch off the device immediately and call Customer Service.
- Insert the battery into the device correctly.
- Read off the charging state of the battery on the display, charge the battery if necessary.

Problems when charging the battery

- Make sure the power cable is connected correctly between the charger and socket.
- Check whether the charger is suitable for the available power supply.

Error display on the charger

- Red LED flashes once
The battery is defective.
- Red LED flashes twice or three times
Fault in the charger. Unplug the charger, wait briefly, then plug it back in. If the fault recurs, call customer service.
- Red LED flashes four times
Charger overheated. Place the charger in a free-standing position so that there is enough ventilation for it to cool off. Wait until the charger has cooled off.

Battery empty after a brief operating period

- Fully charge the battery.

Too little detergent solution

- Check the fill level of the fresh water tank.
- Increase the detergent solution dosing.
- Clean the detergent solution filter.

Poor cleaning performance

- Increase the detergent solution dosing.
- Set increased cleaning performance.
- Check the brush type and the detergent for their suitability.
- Replace worn brush.

Poor suction

- Empty the waste water tank.
- Clean suction bar and suction hose.
- Check the lid on the waste water tank for a correct fit.
- Check that the lock is correctly fitted in the waste water tank.
- Check the lid on the waste water tank for an obstruction.
- Clean the float on the lid of the waste water tank.

Accessories

Accessories	Order number
Brush, red	6.670-127.0
Pad driving disk	6.670-129.0
Set of suction lips	6.670-234.0

Accessories and Spare Parts

Only use original accessories and spare parts, they ensure the safe and trouble-free operation of the device. For information about accessories and spare parts, please visit www.kaercher.com.

Warranty

The warranty terms published by our competent sales company are applicable in each country. We will repair potential failures of your accessory within the warranty period free of charge, provided that such failure is caused by faulty material or defects in fabrication. In the event of a warranty claim please contact your dealer or the nearest authorized Customer Service center. Please submit the proof of purchase.

Technical specifications

Power		
Nominal voltage	VDC	36,5
Battery capacity	Ah	5,2
Average power consumption	W	240
Type of protection		IP23
Vacuuming		
Cleaning power, air quantity	cfm (l/s)	10,38 (4,9)
Cleaning power, negative pressure	psi (kPa)	0,33 (2,25)
Suction performance, vacuum, Eco	psi (kPa)	0,22 (1,5)
Cleaning brush		
Working width	in (mm)	11 (280)
Brush diameter	in (mm)	11 (280)
Brush speed	1/min	190
Dimensions and weights		
Theoretical surface cleaning performance	ft ² /h (m ² /h)	6000 (560)
Fresh/waste water tank volume	gal (l)	0,66/0,79 (3,0/3,6)
Length x width x height	in (mm)	21,9 x 14,8 x 41,4 (555 x 375 x 1050)
Transport weight	lbs (kg)	44,1 (20)
Total weight	lbs (kg)	50,7 (23)
Values determined as per EN 60335-2-72		
Hand-arm vibration value	m/s ²	<2,5
Sound pressure level L _{pA}	dB(A)	<70
Uncertainty K _{pA}	dB(A)	2,3
Sound power level L _{WA}	dB(A)	83,1
Uncertainty K _{WA}	dB(A)	2,3
Charger		
Nordelettronica mod. NE316		
Nominal voltage	V	100...240
Frequency	Hz	50-60
Power Input	A	2...1

CONSIGNES DE SÉCURITÉ IMPORTANTES

LIRE L'INTÉGRALITÉ DES INSTRUCTIONS AVANT L'UTILISATION.

AVERTISSEMENT

Afin de réduire les risques d'incendie, d'électrocution et de blessures, prendre les précautions suivantes :

- NE PAS LAISSER l'appareil sans surveillance lorsqu'il est branché. Débrancher l'appareil lorsqu'il n'est pas utilisé et avant de procéder à l'entretien.

AVERTISSEMENT

- UTILISER L'APPAREIL EXCLUSIVEMENT À L'INTÉRIEUR POUR RÉDUIRE LES RISQUES D'ÉLECTROCUTION
- Cet appareil n'est pas un jouet. Ne jamais le laisser sans surveillance lorsqu'il est utilisé à proximité d'enfants.
- Respecter impérativement les consignes d'utilisation de ce manuel. Utiliser uniquement les accessoires recommandés par le fabricant.
- Ne pas mettre l'appareil en service en cas d'endommagement du cordon ou de la prise. Si l'appareil ne fonctionne pas correctement, s'il est tombé, s'il a été endommagé, s'il est resté à l'extérieur ou est tombé dans l'eau, le retourner à un centre de service.
- Ne pas tirer ou transporter l'appareil par le cordon électrique ou se servir de ce dernier comme d'une poignée. Veiller à ne pas coincer le cordon dans une porte et éviter de le tirer sur des bords ou des coins tranchants. Ne pas rouler sur le cordon électrique. Tenir le cordon à l'écart des surfaces chaudes.
- Ne pas tirer sur le cordon électrique pour débrancher l'appareil. Tirer au niveau de la fiche pour déconnecter l'appareil du secteur.
- NE PAS manipuler l'appareil ou la fiche électrique avec les mains mouillées.
- Ne rien introduire dans les orifices. Ne pas utiliser l'appareil si l'un des orifices est obstrué. Protéger les orifices de la poussière, des peluches, des cheveux et autres matières susceptibles de réduire le débit d'air.
- Veiller à ne pas approcher les cheveux, vêtements larges, doigts ou

toute autre partie du corps des orifices et composants mobiles de l'appareil.

- Désactiver toutes les commandes avant de débrancher l'appareil.
- Faire particulièrement attention lors du nettoyage d'escaliers.
- Ne pas aspirer de liquides inflammables ou combustibles, tels que de l'essence avec l'appareil. Ne pas utiliser ce dernier dans des zones susceptibles de contenir de tels produits.
- Brancher uniquement sur une prise correctement reliée à la terre. Voir les instructions de mise à terre.

CONSERVER CES CONSIGNES

INSTRUCTIONS DE MISE À LA TERRE

Cet appareil doit être connecté à la terre. En cas de dysfonctionnement ou de panne, la mise à la terre fournit un chemin de moindre résistance pour le courant électrique pour réduire le risque de choc électrique.

Cet appareil est équipé d'un câble doté d'un équipement conducteur de terre et d'une prise de terre.

La fiche doit être branchée dans une prise électrique qui est correctement installée et raccordée à la terre en conformité avec les réglementations et directives locales.

AVERTISSEMENT

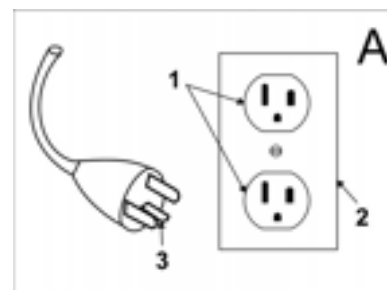
Une connexion incorrecte du conducteur de terre de l'équipement peut avoir pour résultat un risque de choc électrique.

Contrôler avec un électricien qualifié ou un technicien de service si vous avez des doutes relatifs à la mise à la terre correcte de la prise.

Ne pas modifier la fiche fournie avec l'appareil.

Si la fiche ne rentre pas dans la prise, faites installer une prise appropriée par un électricien qualifié.
Cet appareil a été conçu pour fonctionner à une tension nominale de 120 volts ; sa fiche de mise à la terre est similaire à celle illustrée à la figure A. S'assurer que la prise de courant utilisée est compatible avec la fiche secteur. Ne pas utiliser d'adaptateur pour brancher cet appareil.

BRANCHER UNIQUEMENT SUR UNE PRISE CORRECTEMENT RELIÉE A LA TERRE



- 1 Prise reliée à la terre
- 2 Socle de prise de courant
- 3 Fiche de mise à terre

REGLES DE SECURITE ET PRATIQUES RELATIVES A L'UTILISATION

Responsabilité de l'utilisateur

L'utilisateur est responsable de l'utilisation en toute sécurité de l'appareil. Avant d'utiliser l'appareil, l'utilisateur devra avoir acquis une connaissance approfondie des fonctions et du fonctionnement de toutes les commandes et de tous les instruments.

Avant d'utiliser l'appareil, l'utilisateur devra avoir lu et s'être familiarisé avec le manuel d'utilisation de l'appareil en question. Il devra par ailleurs se conformer aux règles de sécurité et pratiques décrites dans les paragraphes suivants.

Avant d'utiliser quelque appareil que ce soit, l'utilisateur doit être conscient des éventuelles conditions d'utilisation inhabituelles pouvant nécessiter des précautions de sécurité supplémentaires ou la mise en œuvre d'instructions d'utilisation particulières.

Général

Avant de commencer à faire fonctionner l'unité, soyez dans une position d'opération.

Ne pas démarrer ou utiliser l'appareil, ni aucune de ses fonctions ou accessoires, à partir d'un autre endroit que celui réservé à l'utilisateur.

Avant de quitter le poste de l'utilisateur :

- A arrêter l'appareil ;
- B si l'appareil doit stationner sur une pente, caler les roues.

Conserver une distance de sécurité avec les bords des rampes, des plates-formes et de toutes les autres surfaces de travail du même type.

Ne pas ajouter d'accessoires à l'appareil ni le modifier de quelque manière que ce soit.

Ne pas stationner à un endroit où l'appareil risque d'entraver les issues de secours, les cages d'escaliers ou les équipements de lutte contre l'incendie.

Voyages

Céder la priorité aux piétons ainsi qu'aux véhicules d'urgence comme les ambulances et les camions de pompiers.

Traverser les voies ferrées à angle droit lorsque c'est possible. Ne pas gêner l'appareil à moins de 1,8 m de la voie ferrée ou du rail le plus proche.

Veiller à conserver une vue bien dégagée du trajet à emprunter et être attentif à la circulation des autres véhicules, aux déplacements des membres du personnel, ainsi qu'aux espaces de dégagement.

Quelles que soient les conditions de circulation, conserver une vitesse permettant d'arrêter l'appareil en toute sécurité.

Ne jamais adopter de conduite dangereuse (cascades, acrobaties etc.)

Ralentir sur les sols mouillés et glissants.

Avant de déplacer l'appareil sur un pont de chargement ou un pont de liaison, s'assurer que celui-ci est correctement sécurisé. Avancer prudemment et lentement sur le pont de chargement ou pont de liaison. Ne jamais dépasser la charge maximale autorisée.

Dans les virages, ralentir et adopter une vitesse de sécurité adaptée à l'environnement d'utilisation. Les virages doivent être abordés sans à-coups.

Sauf lors de manœuvres à vitesse très réduite, tourner le volant de façon régulière et sans à-coups.

Entretien de l'appareil par l'utilisateur

Si le véhicule a besoin d'être réparé ou présente un risque quelconque, l'utilisateur doit le signaler immédiatement à son responsable et ne pas utiliser l'appareil avant résolution du problème.

Si, en cours d'utilisation, le véhicule s'avère dangereux de quelque façon que ce soit, signaler immédiatement le problème au responsable concerné et cesser l'utilisation de l'appareil avant résolution du problème.

Ne pas effectuer de réparations ou réglages à moins d'y être expressément autorisé.

PROCÉDURES D'ENTRETIEN ET DE REMISE EN ETAT

L'utilisation de l'appareil peut devenir dangereuse si l'entretien est négligé ou si la remise en état ou les réglages nécessaires ne sont pas effectués en conformité avec les recommandations du fabricant. Par conséquent, il est né-

cessaire de prévoir des ateliers de maintenance, à l'intérieur ou l'extérieur des bâtiments, avec du personnel dûment formé, ainsi que d'établir des procédures détaillées.

La maintenance et l'inspection de l'appareil doivent être effectuées conformément aux procédures suivantes :

- A Les intervalles prescrits pour la maintenance, la lubrification et le contrôle du système doivent être respectés; se reporter aux instructions du fabricant.
- B La maintenance, les réparations, les réglages et l'inspection de l'appareil doivent être confiés exclusivement à des personnes formées et habilitées et effectués conformément aux recommandations du fabricant.

Eviter les risques d'incendie et s'assurer que les locaux sont dotés des équipements nécessaires pour la lutte contre l'incendie. Ne jamais éclairer les batteries à l'aide d'une flamme vive pour vérifier le niveau des liquides, en particulier celui de l'électrolyte. Ne jamais utiliser de bacs ouverts contenant du carburant ou des produits de nettoyage inflammables pour nettoyer les composants de l'autolaveuse motorisée.

NORMES DE SECURITE INCENDIE

Tout appareil dont le fonctionnement représente un risque doit être mis hors service.

Les réparations ne doivent pas être effectuées dans les zones de classe I, II et III.

Prévention d'incendie : L'unité doit être gardée en bon état et raisonnablement exempte de peluches, d'excès d'huile et de graisse. Les agents non combustibles sont préférables pour nettoyer l'unité. Les liquides inflammables [dont les points d'ignition sont à 100°F (37,8°C) ou au-dessus] ne sont pas autorisés. Les précautions prises concernant la toxicité, la ventilation et les risques d'incendie doivent être appropriées à l'agent ou au solvant utilisé.

Visibilité de la plaque signalétique :

Les désignations de type d'unité sont indiquées sur la plaque signalétique et les marqueurs de type ne doivent pas être couverts de peinture afin que leurs informations d'identification ne soient pas cachées.

L'autolaveuse motorisée ne doit pas être utilisée dans les zones classées.



Lire ce manuel d'utilisation original avant la première utilisation de votre appareil, le respecter et le conserver pour une utilisation ultérieure ou pour le futur propriétaire.

Table des matières

Consignes de sécurité.	FR	2
Fonction	FR	3
Utilisation conforme.	FR	3
Protection de l'environnement	FR	3
Éléments de commande . . .	FR	3
Première mise en service . .	FR	4
Charger l'accumulateur. . . .	FR	4
Fonctionnement	FR	4
Transport.	FR	5
Entreposage	FR	5
Entretien et maintenance . .	FR	5
Pannes	FR	6
Accessoires.	FR	6
Accessoires et pièces de rechange	FR	6
Garantie	FR	6
Caractéristiques techniques	FR	7

Consignes de sécurité

Lire la présente notice d'instructions ainsi que la brochure ci-jointe Consignes de sécurité pour les nettoyeurs à brosses n° 5.956-251.0 avant d'utiliser l'appareil et respecter les instructions.

Niveaux de danger

⚠ DANGER

Signale la présence d'un danger imminent entraînant de graves blessures corporelles et pouvant avoir une issue mortelle.

⚠ AVERTISSEMENT

Signale la présence d'une situation éventuellement dangereuse pouvant entraîner de graves blessures corporelles et même avoir une issue mortelle.

⚠ PRÉCAUTION

Remarque relative à une situation potentiellement dangereuse pouvant entraîner des blessures légères.

ATTENTION

Remarque relative à une situation éventuellement dangereuse pouvant entraîner des dommages matériels.

Batterie/chargeur

⚠ DANGER

- Le chargement de l'accumulateur n'est permis que avec l'appareil de charge original ci-joint ou avec l'appareil de charge autorisé par Kärcher®.
- Contrôler l'état de l'appareil de charge et du groupe d'accumula-

teur avant chaque utilisation. Ne plus utiliser des appareil endommagés et pour faire réparer des pièces endommagées s'adresse uniquement à des spécialistes.

- Ne pas utiliser l'appareil de charge en état sale ou mouillé.
- La tension de réseau doit correspondre à la tension indiquée sur la plaque signalétique de l'appareil de charge.
- Ne pas utiliser l'appareil de charge dans un environnement où il y a un risque de explosion.
- Des pièces de métal ne peuvent pas toucher les contacts de l'appareil de charge ; risque de court-circuit.
- Ne utiliser l'appareil de charge que pour le chargement des groupes d'accumulateurs autorisés.
- Introduire uniquement des groupes d'accumulateurs propres et secs sur l'adaptateur de l'appareil de charge.
- Ne pas charger des piles (cellule primaire), risque d'explosion.
- Ne pas charger des groupes d'accumulateurs endommagés. Remplacer des groupes d'accumulateurs endommagés.
- Ne pas garder des groupes d'accumulateurs avec des objets de métal, risque de court-circuit.
- Ne pas ouvrir l'accumulateur.
- Ne pas jeter des groupes d'accumulateurs dans le feu ou dans le déchet domestique.
- Éviter le contact avec le liquide qui sort des accumulateurs en panne. En cas d'un contact par hasard, rincer le liquide avec l'eau. En cas d'un contact avec les yeux, consulter en plus un médecin.
- Vous pouvez obtenir des remarques relatives au stockage et au transport auprès de votre service après-vente Kärcher.

Symboles sur l'appareil



Risque de brûlure provoqué par les pièces chaudes de l'installation!

Fonction

Cette aspirateur à friction est mis en œuvre pour nettoyer des sols plans par voie humide.

Une largeur de travail de 280 mm et une capacité de 3 l pour le réservoir d'eau propre sont les garants d'un nettoyage efficace des petites surfaces. L'appareil est alimenté en énergie par un accumulateur remplaçable.

Remarque :

L'appareil peut être équipé de différents accessoires en fonction de l'application respective.

De plus amples détails figurent dans notre catalogue ou sur notre site Internet www.kaercher.com.

Utilisation conforme

L'utilisation de l'appareil doit être faite en conformité avec les consignes figurant dans les instructions de service.

- Cet appareil convient à un usage industriel, par exemple dans le cadre d'hôtels, d'écoles, d'hôpitaux, d'usines, de magasins, de bureaux et d'agences de location.
- Ne pas utiliser l'appareil sur des plans inclinés.
- L'appareil doit uniquement être utilisé pour nettoyer des surfaces dures non sensibles à l'humidité ni au polissage.
- La plage de température pour l'utilisation est de +5°C à +40°C.
- L'appareil n'est pas approprié pour nettoyer des sols gelés (par exemple dans des entrepôts frigorifiques)
- L'appareil doit uniquement être équipé d'accessoires et de pièces de rechange d'origine.
- L'appareil a été conçu pour le nettoyage de sols dans le domaine intérieur ou bien de surfaces couvertes d'un toit.
- L'appareil n'est pas destiné au nettoyage de voies publiques.
- L'appareil n'est pas approprié pour l'application dans des environnements à risque d'explosion.
- Utiliser l'appareil de charge uniquement dans un environnement sec.
- Ne pas ouvrir l'appareil de charge. Les réparations doivent être fait uniquement par des spécialistes.

Protection de l'environnement



Les matériaux constitutifs de l'emballage sont recyclables. Ne pas jeter les emballages dans les ordures ménagères, mais les remettre à un système de recyclage.



Les appareils usés contiennent des matériaux précieux recyclables qui doivent être amenés à un système de recyclage. Il est interdit de jeter les batteries, l'huile et des substances similaires dans l'environnement. Pour cette raison, utiliser des systèmes de collecte adéquats afin d'éliminer les appareils hors d'usage.

Retirer l'accumulateur de l'appareil avant l'élimination de ce dernier et l'éliminer dans le respect de l'environnement !

Les appareils électriques et électroniques renferment souvent des composants qui peuvent représenter un danger potentiel pour l'intégrité physique et l'environnement s'ils sont mal utilisés ou éliminés. Ces composants sont pourtant nécessaires au bon fonctionnement de l'appareil. Les appareils qui présentent ce symbole ne doivent pas être jetés avec les déchets ménagers.

Instructions relatives aux ingrédients (REACH)

Les informations actuelles relatives aux ingrédients se trouvent sous : www.kaercher.com/REACH

Éléments de commande

Figure 1, cf. page de couverture

- 1 Touche « mode ECO »
- 2 Touche « AUTO »
- 3 Ecran
- 4 Touche Marche/Arrêt aspiration
- 5 Touche solution de nettoyage
- 6 Déverrouillage du guidon
- 7 Guidon
- 8 Coupe-circuit
- 9 Filtre solution de nettoyage
- 10 Couvercle du réservoir d'eau sale
- 11 Réservoir d'eau sale
- 12 Réservoir d'eau propre
- 13 Poignée de transport
- 14 Disque-brosse
- 15 Barre d'aspiration
- 16 Interrupteur principal
- 17 Molette de réglage de la barre d'aspiration
- 18 Accumulateur
- 19 Déverrouillage accumulateur




Résolution

Figure 2, cf. page de couverture

- 1 Sablier, clignote lorsque le compteur d'heures de service fonctionne
- 2 Durée de fonctionnement, heures
- 3 Durée de fonctionnement, minutes
- 4 État de charge de l'accumulateur, diagramme en barres
- 5 État de charge de l'accumulateur, en %

Symboles sur l'appareil

	Déverrouillage accumulateur
	Poignée de transport
	Barre d'aspiration soulevée

	Barre d'aspiration, abaissée
	Orifice d'évacuation d'eau sale
	Ne pas basculer l'appareil vers le haut si les réservoirs sont pleins.

Première mise en service

- Avant la première mise en service, charger complètement l'accumulateur.

Charger l'accumulateur

Figure 3, cf. page de couverture

- 1 Interrupteur du chargeur
- 2 DEL rouge, état de charge s'allume rouge : L'accumulateur est en cours de chargement
arrêt : L'accumulateur est complètement chargé
- 3 DEL verte, tension d'alimentation

- Mettre l'interrupteur principal sur « 0 ».
- Appuyer sur les déverrouillages de l'accumulateur et sortir l'accumulateur de l'appareil.
- Brancher la fiche secteur du chargeur.
- Mettre l'interrupteur de l'appareil de charge sur « 1 » - la DEL verte s'allume.
- Mettre l'accumulateur dans l'appareil de charge - la DEL rouge s'allume.

L'accumulateur est chargé complètement lorsque la DEL verte s'éteint.

Remarque :

L'accumulateur complètement chargé peut rester dans l'appareil de charge.

Fonctionnement

Mettre l'accumulateur

- Enlever l'accumulateur de l'appareil de charge.
- Enfoncer l'accumulateur dans l'appareil jusqu'à ce que les déverrouillages soient enclenchés.

Mettre la brosse en place

Figure 4, cf. page de couverture

- Basculer l'appareil vers le haut.
- Pousser la brosse jusqu'en butée sur l'entraîneur.

Régler le guidon

- Mettre l'interrupteur principal sur « 0 ».
- Tirer le déverrouillage du guidon vers le haut et le maintenir.
- Modifier l'inclinaison du guidon.
- Relâcher le déverrouillage du guidon.

Retirer le bac d'eau sale

- Mettre l'interrupteur principal sur « 0 ».

Figure 5, cf. page de couverture

- Basculer les deux verrouillages vers le bas.
- Lever le réservoir d'eau sale.

Remplir le réservoir d'eau fraîche

⚠ PRÉCAUTION

Risque d'endommagement. Utiliser uniquement les détergents recommandés. Pour tout autre détergent, l'exploitant prend des risques plus élevés quant à la sécurité du travail, au risque d'accident et à la durée de vie de l'appareil. Utiliser uniquement des détergents exempts de solvants, d'acide chlorhydrique et fluorhydrique. Respecter les consignes de sécurité mentionnées sur les détergents.

Remarque :

Ne jamais utiliser de détergents extrêmement moussants.

Tenir compte des consignes de dosage.

Détergents recommandés :

Application	Produit détergent	Dosage
Nettoyant d'entretien alcalin	RM 743	0,5 - 2,0%
Détergent ménager acide, pour zones sanitaires, piscines, etc. Enlève les dépôts de calcaire.	RM 738	0,5 - 3,0%
Entretien de lavage EXTRA	RM 780	0,5 - 2,0%

Figure 6, cf. page de couverture

- 1 Réservoir d'eau propre
- 2 Ouverture de vidange du réservoir d'eau propre
- 3 Couvercle réservoir d'eau fraîche
- 4 Orifice de remplissage pour réservoir d'eau propre

- Retirer le réservoir d'eau sale.
- Retirer le réservoir d'eau fraîche de l'appareil.
- Contrôler si l'ouverture de purge est correctement fermée.
- Ouvrir le couvercle du réservoir d'eau propre.
- Remplir de mélange détergent-eau. Température maximale du liquide, 50 °C.
- Fermer le couvercle du réservoir d'eau propre.
- Mettre le réservoir d'eau fraîche en place dans l'appareil.

- Mettre le réservoir d'eau sale en place et le verrouiller.

Nettoyage

Figure 7, cf. page de couverture

- 1 Molette de réglage de la barre d'aspiration
- 2 Interrupteur principal
- 3 Coupe-circuit
- 4 Touche « mode ECO »

- Tourner la molette Abaissement de la barre d'aspiration dans le sens inverse aux aiguilles d'une montre - la barre d'aspiration est abaissée.

- Régler l'interrupteur principal sur "I".

- Tirer le coupe-circuit vers le guidon - l'entraînement de la brosse et l'aspiration sont activées. L'appareil se déplace en marche avant.

Sélectionner la puissance de nettoyage

Au début du nettoyage, l'appareil est en mode ECO. « ECO » s'affiche à l'écran.

La touche « Mode ECO » commute entre le mode ECO et une puissance de nettoyage plus élevée.

- Relâcher le commutateur de sécurité.

- Appuyer sur la touche « mode ECO ».

- Tirer le commutateur de sécurité vers le guidon.

Doser la solution de nettoyage

- Appuyer sur la touche Solution de nettoyage pendant le fonctionnement de l'appareil.

Le dosage est affiché à l'écran.

Le dosage est commuté au niveau suivant à chaque appui.

Figure 8, cf. page de couverture

- 1 Dosage de la solution de nettoyage ARRET
- 2 Dosage de la solution de nettoyage Niveau 3

Aspiration en marche arrière

- Appuyer le guidon vers le bas pour soulever la brosse - la barre d'aspiration tourne à l'avant de l'appareil.

- Abaisser l'appareil.

- Tirer l'appareil en marche arrière.

Nettoyage sans aspiration

- Mettre l'interrupteur principal sur « 0 ».

- Pivoter la barre d'aspiration au centre sous l'appareil.

- Soulever la barre d'aspiration, appuyer sur la molette Barre d'aspiration et la tourner dans le sens des aiguilles d'une montre.

- Régler l'interrupteur principal sur "I".
- Appuyer sur la touche Aspiration - l'aspiration est arrêtée après env. 5 secondes.
- Procéder au nettoyage.

Terminer le nettoyage

- Relâcher le commutateur de sécurité.
- Mettre l'interrupteur principal sur « 0 ».
- Soulever la barre d'aspiration, appuyer sur la molette Barre d'aspiration et la tourner dans le sens des aiguilles d'une montre.
- Tirer le déverrouillage du guidon vers le haut et le maintenir.
- Mettre la colonne de direction en position verticale.
- Relâcher le déverrouillage du guidon.

Vidange du réservoir d'eau sale

Remarque :

Si le réservoir d'eau sale est plein, le flotteur ferme le canal d'aspiration. L'aspiration est alors interrompue. Vider le bac d'eau sale.

⚠ **AVERTISSEMENT**

Tenir compte des prescriptions locales pour le traitement des eaux usées.

- Arrêter l'appareil (voir section « Terminer le nettoyage »).

Figure 9, cf. page de couverture

- 1 Verrouillage
 - 2 Couvercle du réservoir d'eau sale
 - 3 Réservoir d'eau sale
 - 4 Réservoir d'eau propre
 - 5 Verrou du bac d'eau sale
- Basculer les deux verrouillages vers le haut.
 - Retirer le couvercle.
 - Enlever le réservoir d'eau sale (voir section « Enlever le réservoir d'eau sale »).
 - Faire couler l'eau sale.
 - Ouvrir l'orifice.
 - Vider complètement le réservoir.
 - Rincer le réservoir d'eau sale à l'eau propre.
 - Fermer la fermeture.
 - Poser délicatement le réservoir d'eau sale sur le réservoir d'eau propre. Ne pas endommager les composants indiqués par une flèche.
 - Basculer les verrouillages vers le haut.
 - Mettre le couvercle en place et le verrouiller.

Vidange du réservoir d'eau propre

- Enlever le réservoir d'eau sale (voir section « Enlever le réservoir d'eau sale »).

Figure 6, cf. page de couverture

- 1 Réservoir d'eau propre
 - 2 Ouverture de vidange du réservoir d'eau propre
 - 3 Couvercle réservoir d'eau fraîche
 - 4 Orifice de remplissage pour réservoir d'eau propre
- Retirer le réservoir d'eau fraîche de l'appareil.
 - Ouvrir l'ouverture de purge du réservoir d'eau propre.
 - Vider le liquide de nettoyage.
 - Fermer le couvercle du réservoir d'eau propre.
 - Mettre le réservoir d'eau fraîche en place dans l'appareil.

Transport

⚠ **PRÉCAUTION**

Risque de blessure et d'endommagement ! Respecter le poids de l'appareil lors du transport.

- Mettre l'interrupteur principal sur « 0 ».
 - Tirer le déverrouillage du guidon vers le haut et le maintenir.
 - Mettre le guidon en position verticale.
 - Relâcher le déverrouillage du guidon.
 - Pousser l'appareil.
- ou
- Mettre l'interrupteur principal sur « 0 ».
 - Tirer le déverrouillage du guidon vers le haut et le maintenir.
 - Pivoter le guidon en position horizontale.
 - Soulever l'appareil avec la poignée et le porter.
- Sécuriser l'appareil contre les glissements ou les basculements selon les directives en vigueur lors du transport dans des véhicules.

Entreposage

⚠ **PRÉCAUTION**

Risque de blessure et d'endommagement ! Prendre en compte le poids de l'appareil à l'entreposage.

Cet appareil doit uniquement être entreposé en intérieur.

Entretien et maintenance

⚠ **DANGER**

Risque de blessure dû au démarrage intempestif de l'appareil.

Avant d'effectuer tout type de travaux sur l'appareil, le mettre hors service et retirer la batterie.

ATTENTION

Risque d'endommagement de l'appareil par l'eau qui s'écoule. Vider le réservoir d'eau sale et le réservoir d'eau propre avant les travaux d'entretien sur l'appareil.

Plan de maintenance

Après le travail

ATTENTION

Risque d'endommagement. Ne pas laver l'appareil au jet d'eau et ne jamais utiliser de détergents agressifs.

- Vidange du réservoir d'eau sale.
- Rincer le réservoir d'eau sale à l'eau propre.
- Nettoyer le couvercle du réservoir d'eau sale sous l'eau courante. Nettoyer les vannes du plongeur avec un chiffon humide. Rincer l'ouverture marquée « A » à l'eau. Souffler l'ouverture marquée « C » à l'air comprimé.
- Vider le réservoir d'eau propre.
- Rincer l'appareil : Remplir le réservoir d'eau propre d'eau claire (sans détergent) et utiliser l'appareil pendant une minute avec l'irrigation de brosse en service.
- Vider le réservoir d'eau propre.
- Nettoyer l'extérieur de l'appareil avec un chiffon humide et imbibé de détergent doux.
- Nettoyer la barre d'aspiration, en contrôler l'usure et remplacer les lèvres d'aspiration si nécessaire (voir « Travaux de maintenance »).
- Nettoyer l flexible d'aspiration.
- Nettoyer la brosse et en vérifier l'usure. Longueur de brosse minimale : 10 mm.
- Charger l'accumulateur.

Hebdomadairement

- Nettoyer le filtre de solution de nettoyage (voir « Travaux de maintenance »).

Tous les ans

- L'inspection de sécurité prescrite doit être effectuée par un électricien.

Travaux de maintenance

Nettoyer la barre d'aspiration

Figure 10, cf. page de couverture

- 1 Support barre d'aspiration
- 2 Barre d'aspiration
- 3 Flexible d'aspiration
- 4 Joint
- 5 Lèvre d'aspiration

- Pivoter la barre d'aspiration à l'avant de l'appareil.
- Retirer le tuyau d'aspiration de la barre d'aspiration.
- Tourner les verrouillages de 90° dans le sens anti-horaire.
- Soulever le support et retirer la barre d'aspiration (ne pas perdre le joint).
- Rincer la barre d'aspiration et les lèvres d'aspiration à l'eau puis les nettoyer à l'aide d'un chiffon humide.
- Vérifier les lèvres d'aspiration. Changer ou tourner les lèvres d'aspiration usées.
- Remettre la barre d'aspiration sur l'appareil.

Remplacer la brosse

- Retirer le réservoir d'eau propre.
- Retirer le réservoir d'eau sale.
- Tirer le déverrouillage du guidon vers le haut et le maintenir.
- Mettre le guidon en position verticale.
- Relâcher le déverrouillage du guidon.
- Verser l'appareil en avant.
- Retirer la brosse.
- Pousser la nouvelle brosse jusqu'en butée sur l'entraîneur.

Nettoyer le filtre de solution de nettoyage

- Retirer le réservoir d'eau propre et le réservoir d'eau sale.
- Retirer le filtre de solution de nettoyage et le rincer à l'eau.
- Remettre en place le filtre.
- Mettre le réservoir d'eau propre et le réservoir d'eau sale en place.

Protection antigel

En cas de risque de gel :

- Vider le réservoir d'eau propre et le réservoir d'eau sale.
- Déposer l'appareil dans une pièce à l'abri du gel.

Pannes

⚠ DANGER

Risque de blessure dû au démarrage intempestif de l'appareil.

Avant d'effectuer tout type de travaux sur l'appareil, le mettre hors service et retirer la batterie.

ATTENTION

Risque d'endommagement de l'appareil par l'eau qui s'écoule. Vider le réservoir d'eau sale et le réservoir d'eau propre avant les travaux d'entretien sur l'appareil.

En cas de pannes ne pouvant pas être résolues grâce aux instructions de ce tableau, appeler le service après-vente.

L'appareil ne démarre pas

- Tourner l'interrupteur principal sur la position « 1 ».
- En cas d'affichage d'un message d'erreur à l'écran, arrêter aussitôt l'appareil et contacter le service après-vente.
- Mettre en place correctement l'accumulateur dans l'appareil.
- Consulter l'état de charge de l'accumulateur à l'écran, recharger l'accumulateur, si besoin.

Problèmes lors du chargement de l'accumulateur

- Raccorder correctement le câble réseau avec l'appareil de charge et la prise de courant.
- Vérifier si l'appareil de charge est adapté au réseau électrique existant.

Affichage d'erreur de l'appareil de charge

- La DEL rouge clignote 1 fois
L'accumulateur est défectueux.
- La DEL rouge clignote 2 fois ou 3 fois
Défaut de l'appareil de charge. Débrancher l'appareil de charge, attendre un moment puis le rebrancher.
Si le défaut apparaît de nouveau, contacter le service après-vente.
- La DEL rouge clignote 4 fois
Appareil de charge surchauffé. Sortir l'appareil de charge de manière à générer un courant d'air de refroidissement.
Attendre que l'appareil de charge soit refroidi.

Accumulateur vide après un temps de fonctionnement court

- Charger complètement l'accumulateur.

Trop peu de solution de nettoyage

- Vérifier le niveau de remplissage du réservoir d'eau propre.
- Augmenter le dosage de la solution de nettoyage.
- Nettoyer le filtre de solution de nettoyage.

Mauvaise performance de nettoyage

- Augmenter le dosage de la solution de nettoyage.
- Régler la puissance de nettoyage plus fort.
- Vérifier si le type de brosse et le détergent conviennent.
- Remplacer la brosse buse usée.

Mauvaise aspiration

- Vider le réservoir d'eau sale.
- Nettoyer la barre d'aspiration et le flexible d'aspiration.
- Contrôler la bonne fixation du couvercle du réservoir d'eau sale.
- Contrôler la bonne fixation de la fermeture dans le réservoir d'eau sale.
- Contrôler un éventuel colmatage du réservoir d'eau sale.
- Nettoyer le flotteur sur le couvercle du réservoir d'eau sale.

Accessoires

Accessoires	Référence
Brosse, rouge	6.670-127.0
Plateau d'entraînement du pad	6.670-129.0
Jeu de lèvres d'aspiration	6.670-234.0

Accessoires et pièces de rechange

N'utiliser que des accessoires et pièces de rechange d'origine, ils garantissent le bon fonctionnement de l'appareil.

Vous trouverez des informations relatives aux accessoires et pièces de rechange sur www.kaercher.com.

Garantie

Dans chaque pays, les conditions de garantie en vigueur sont celles publiées par notre société de distribution responsable. Les éventuelles pannes sur les accessoires sont réparées gratuitement dans le délai de validité de la garantie, dans la mesure où celles-ci relèvent d'un défaut matériel ou d'un vice de fabrication. En cas de recours en garantie, adressez-vous à votre revendeur ou au service après-vente agréé le plus proche munis de votre preuve d'achat.

Caractéristiques techniques

Performances		
Tension nominale	VDC	36,5
Capacité d'accu	Ah	5,2
Puissance absorbée moyenne	W	240
Type de protection		IP23
Aspiration		
Puissance d'aspiration, débit d'air	cfm (l/s)	10,38 (4,9)
Puissance d'aspiration, dépression	psi (kPa)	0,33 (2,25)
Puissance d'aspiration, dépression, Eco	psi (kPa)	0,22 (1,5)
Brosse de nettoyage		
Largeur de travail	in (mm)	11 (280)
Diamètre des brosses	in (mm)	11 (280)
Vitesse des brosses	t/min	190
Dimensions et poids		
Surface théorique-ment nettoyable	ft ² /h (m ² /h)	6000 (560)
Volume du réservoir d'eau propre/réservoir d'eau sale	gal (l)	0,66/0,79 (3,0/3,6)
Longueur x largeur x hauteur	in (mm)	21,9 x 14,8 x 41,4 (555 x 375 x 1050)
Poids de transport	lbs (kg)	44,1 (20)
Poids total	lbs (kg)	50,7 (23)
Valeurs déterminées selon EN 60335-2-72		
Valeur de vibrations bras-main	m/s ²	<2,5
Niveau de pression acoustique L _{pA}	dB(A)	<70
Incertitude K _{pA}	dB(A)	2,3
Niveau de puissance acoustique L _{WA}	dB(A)	83,1
Incertitude K _{WA}	dB(A)	2,3
Chargeur		
Nordelectronica mod. NE316		
Tension nominale	V	100...240
Fréquence	Hz	50-60
Puissance absorbée	A	2...1

INSTRUCCIONES IMPORTANTES DE SEGURIDAD

LEER TODAS LAS INSTRUCCIONES ANTES DE USAR.

ADVERTENCIA

Para reducir el riesgo de fuegos, descarga eléctrica o lesiones:

- NO ABANDONAR la unidad mientras esté enchufada. Desenchufar cuando no esté en uso y antes de revisar.

ADVERTENCIA

- PARA REDUCIR EL RIESGO DE DESCARGA ELÉCTRICA, USAR SOLO EN INTERIORES
- No permita que se use como juguete. Prestar mucha atención cuando se use cerca de niños.
- Usar exclusivamente como se describe en este manual. Usar solamente con los complementos recomendados por el fabricante.
- No usar con el cable o la clavija dañados. Si el aparato no funciona como debería, se ha caído al suelo, dañado, dejado al aire libre, o caído al agua, devuélvalo a servicio o a la centralita de atención al cliente.
- No tirar del cable ni transportar el aparato cogido por el cable, no cerrar una puerta sobre el cable, ni pasar el cable por bordes o esquinas afiladas. No pasar el aparato por encima del cable. Mantener el cable alejado de superficies calientes.
- No tirar del cable para desenchufar el aparato. Para desenchufar, tire de la clavija no del cable.
- NO manipular la clavija ni el aparato con las manos mojadas.
- No introducir objetos en los orificios. No usar con cualquiera de los orificios bloqueados; mantener sin polvo, pelusa, pelo y cualquier otra cosa que pueda reducir el flujo de aire.
- Mantener el cabello, la ropa floja, los dedos y todas las partes del cuerpo alejadas de los orificios y partes móviles.
- Apagar los mandos de control antes de desenchufar.
- Usar con especial cuidado cuando limpie escaleras.
- No usar para recoger líquidos inflamables o combustible, como gasolina, ni utilizar el aparato en áreas donde puedan estar presentes.

- Conectar exclusivamente a una toma con puesta a tierra. Consultar las instrucciones de puesta a tierra.

CONSERVE ESTAS INSTRUCCIONES

INSTRUCCIONES DE PUESTA A TIERRA

Este aparato debe ser puesto a tierra. Si funciona mal o se estropea, la toma a tierra ofrece una ruta de menor resistencia para la corriente eléctrica para reducir el riesgo de una descarga eléctrica.

Este aparato está equipado con un cable que tiene un conductor con toma a tierra para el equipo y un enchufe con toma a tierra.

El enchufe se debe insertar en una clavija apropiada que esté instalada correctamente y puesta a tierra de acuerdo con los códigos y normativas locales.

ADVERTENCIA

Una conexión incorrecta del conductor del equipo de toma a tierra puede provocar una descarga eléctrica.

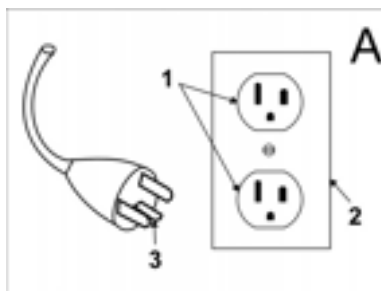
Consulte a un electricista cualificado o a un técnico si tiene dudas acerca de si el enchufe tiene la toma a tierra correcta.

No modifique el enchufe suministrado del aparato.

Si no encaja en el enchufe, solicite a un electricista cualificado que instale un enchufe correcto.

Este dispositivo está diseñado para usar en un circuito nominal de 120 V y tiene un enchufe de toma a tierra que tiene el aspecto de la figura A. Asegúrese de que el dispositivo esté conectado a una toma de corriente que tenga la misma configuración que la clavija. No se debe usar un adaptador con este equipo.

CONECTAR EXCLUSIVAMENTE A UNA TOMA DE CORRIENTE CON PUESTA A TIERRA



- 1 Toma de corriente con puesta a tierra
- 2 Caja de toma de corriente con puesta a tierra
- 3 Clavija con puesta a tierra

NORMAS Y PRÁCTICAS DE SEGURIDAD PARA EL FUNCIONAMIENTO

Responsabilidad del operario

El operario es responsable de un funcionamiento seguro.

El operario estará familiarizado con el trabajo y funcionamiento de todos los controles e instrumentos antes de poner en funcionamiento el equipo.

Antes de poner el funcionamiento el aparato, los operarios tendrán que leer y estar familiarizados con el manual del operario de la unidad en concreto y también cumplirán con las normas y prácticas de seguridad indicadas en los siguientes párrafos.

Antes de poner en funcionamiento cualquier unidad, el operario se familiarizarán con las condiciones inusuales de funcionamiento que puedan requerir precauciones de seguridad adicionales o instrucciones de funcionamiento especiales.

General

Antes de poner en funcionamiento la unidad, ésta deberá encontrarse en la posición de servicio.

No arrancar ni poner en funcionamiento la unidad, cualquiera de sus funciones o complementos, en otro sitio que no sea la posición designada de operario.

Antes de dejar la posición del operario:
A parar completamente el equipo;
B si el equipo tiene que estar en una inclinación, bloquear las ruedas.

Mantenerse a una distancia segura del borde de rampas, plataformas y otras superficies de trabajo.

No realice modificaciones ni añadidos al equipo.

No bloquear el acceso a las salidas de emergencias de incendios, escaleras o equipo antiincendios.

Desplazamiento

Ceder el paso a peatones y vehículos de emergencias como ambulancias o camiones de bomberos.

Cruce vías de tren en ángulo siempre que sea posible. No aparcar a menos de 1800 mm de la vía del tren.

Mantener una buena vista del camino por el que conduce y preste atención al tráfico, personal y seguridad.

Operar el equipo siempre a una velocidad que permita parar de manera segura.

No permita realizar escenas peligrosas ni jugar con el equipo.

Reducir la velocidad en suelos húmedos y resbaladizos.

Antes de conducir sobre un muelle o puente, asegúrese de que esté bien seguro. Conduzca con cuidado y lentamente por el muelle o puente, y no exceda nunca la capacidad indicada. Al sortear curvas, reduzca la velocidad a un nivel seguro de acuerdo con el ambiente de funcionamiento. Sortear las curvas con cuidado. Excepto en situaciones de maniobra a velocidad muy baja, ponga el control de mando a un nivel moderado y uniforme.

Cuidados del equipo realizados por el operario

Si el equipo necesita ser reparado o es inseguro, o favorece una situación insegura, se deberá informar del problema inmediatamente al encargado designado por el usuario, y no se pondrá en funcionamiento el equipo hasta que se recupere el estado de funcionamiento seguro.

Si el equipo se vuelve inseguro de cualquier modo durante su funcionamiento, se deberá informar del problema inmediatamente al encargado designado por el usuario, y no se pondrá en funcionamiento el equipo hasta que se recupere el estado de funcionamiento seguro.

No realizar reparaciones o ajustes a no ser que se autorizado específicamente.

MANTENIMIENTO Y PRÁCTICAS DE RECONSTRUCCIÓN

El funcionamiento del equipo puede resultar peligros si no realiza el mantenimiento o se llevan a cabo reparaciones, reconstrucciones o ajustes que no correspondan con los criterios de diseño del fabricante. Por lo tanto, se deben poner a disposición lugares de mantenimiento (en el mismo local o en otro lugar), personal cualificado, y procedimientos detallados.

El mantenimiento e inspección de la unidad se realizará de acuerdo con las siguientes prácticas:

- A a un mantenimiento planificado, le seguirán lubricación e inspección del sistema: consulte las recomendaciones del fabricante.
- B sólo se permitirá realizar mantenimiento, reparaciones, ajustes e inspecciones del equipo a personal formado y autorizado y de acuerdo con las especificaciones del fabricante.

Evitar los riesgos de incendios y tener equipo de protección de incendios en el área de trabajo. No usar llama directa para comprobar el nivel que cual-


quier fluido, especialmente electrolitos de la batería. No usar recipientes abiertos de fuel o líquidos inflamables de limpieza para las limpiar las piezas.

NORMA DE SEGURIDAD CONTRA INCENDIOS

Cualquier unidad que no esté en un estado de funcionamiento seguro será retirada de servicio.

No se realizarán reparaciones en ubicaciones de clase I, clase II y clase III. Prevención de incendios: La unidad debe mantenerse limpia y razonablemente exenta de pelusa, exceso de aceite y grasa. Es preferible emplear agentes no combustibles para limpiar la unidad. No se permiten líquidos inflamables [aquellos con puntos de inflamación o superiores a 37,8°C (100°F)]. Deben tomarse precauciones adecuadas para el agente o solvente utilizado respecto a la toxicidad, ventilación y peligro de incendio.

Visibilidad de la placa: La denominación de tipo de la unidad según se indica en la placa y el tipo no se debe cubrir con pintura de forma que quede oculta la información de identificación. No se usará la unidad en áreas clasificadas.

 Antes del primer uso de su aparato, lea este manual original, actúe de acuerdo a sus indicaciones y guárdelo para un uso posterior o para otro propietario posterior.

Índice de contenidos

Indicaciones de seguridad .	ES	2
Función	ES	3
Uso previsto	ES	3
Protección del medio ambiente	ES	3
Elementos de mando	ES	3
Primera puesta en marcha .	ES	3
Cargar la batería	ES	4
Funcionamiento.	ES	4
Transporte.	ES	5
Almacenamiento	ES	5
Cuidados y mantenimiento .	ES	5
Averías	ES	6
Accesorios.	ES	6
Accesorios y piezas de re- puesto	ES	6
Garantía	ES	6
Datos técnicos.	ES	7

Indicaciones de seguridad

Antes de utilizar por primera vez el equipo, lea y tenga en cuenta el presente manual de instrucciones y el folleto adjunto relativo a las instrucciones de seguridad para equipos de limpieza con cepillos 5.956-251.0.

Niveles de peligro

PELIGRO

Aviso sobre un riesgo de peligro inmediato que puede provocar lesiones corporales graves o la muerte.

ADVERTENCIA

Aviso sobre una situación probablemente peligrosa que puede provocar lesiones corporales graves o la muerte.

PRECAUCIÓN

Indicación sobre una situación que puede ser peligrosa, que puede acarrear lesiones leves.

CUIDADO

Aviso sobre una situación probablemente peligrosa que puede provocar daños materiales.

Batería/cargador

PELIGRO

- Sólo está permitido cargar la batería con el cargador original suministrado o con el cargador autorizado por KÄRCHER.
- Compruebe si el cargador y batería están dañados antes de usarlo. No vuelva a usar los aparatos dañados y encargue sólo al personal técnico que repare las piezas dañadas.

- No utilizar el cargador si está sucio o húmedo.
- La tensión de red tiene que coincidir con la indicada en la placa de características del cargador.
- No utilizar el cargador en un ambiente con peligro de explosión.
- No deben entrar piezas de metal en los contactos del cargador, puede provocar un cortocircuito.
- Utilice el cargador sólo para cargar la batería permitida.
- Insertar sólo baterías limpias y secas en el adaptador del cargador.
- No cargar baterías (células primarias), riesgo de explosión.
- No cargar baterías defectuosas. Sustituir las baterías defectuosas.
- No guardar las baterías con objetos metálicos, puede provocar un cortocircuito.
- No abrir la batería.
- No tirar las baterías al fuego ni a la basura doméstica.
- Evitar entrar en contacto con el líquido que sale de baterías defectuosas. Si entra en contacto con el líquido, enjuagar con agua. Si entra en contacto con los ojos consultar también a un médico.
- Consultar al servicio técnico de Kärcher acerca del almacenamiento y transporte.

Símbolos en el aparato

	¡Riesgo de quemaduras por superficies calientes!
--	--

Función

La fregadora/aspiradora sirve para efectuar la limpieza en húmedo de pisos llanos.

Un ancho útil de 280 mm y unos depósitos de agua limpia con una capacidad de 3 l respectivamente permiten llevar a cabo una limpieza efectiva de pequeñas superficies.

Al equipo se le suministra energía mediante una batería intercambiable.

Indicación:

En función de la tarea de limpieza de que se desee realizar, es posible dotar al aparato de distintos accesorios.

Solicite nuestro catálogo o visítenos en la página de internet www.kaercher.com.

Uso previsto

Utilice el aparato únicamente de conformidad con las indicaciones del presente manual de instrucciones.

- Este aparato es apto para el uso en aplicaciones industriales, como en hoteles, escuelas, hospitales, fábricas,

cas, tiendas, oficinas y negocios de alquiler.

- No utilizar el aparato en cuevas inclinadas.
- El aparato ha sido concebido exclusivamente para la limpieza de superficies duras resistentes a la humedad y al pulido.
El margen de temperaturas de servicio está comprendido entre los +5°C y los +40°C.
- El aparato no es apto para la limpieza de pisos congelados (p. ej., en almacenes frigoríficos).
- Sólo está permitido dotar al aparato de accesorios y piezas de repuesto originales.
- El aparato ha sido concebido para la limpieza de pisos en interiores o superficies techadas.
- El presente aparato no es apto para la limpieza de las vías públicas de tránsito.
- El aparato no es apto para el uso en entornos con peligro de explosión.
- Utilizar el cargador únicamente en entornos secos.
- No abrir el cargador. Encargar las reparaciones solo a personal técnico especializado.

Protección del medio ambiente



Los materiales de embalaje son reciclables. Por favor, no tire el embalaje a la basura doméstica; en vez de ello, entréguelo en los puntos oficiales de recogida para su reciclaje o recuperación.



Los aparatos viejos contienen materiales valiosos reciclables que deberán ser entregados para su aprovechamiento posterior. Evite el contacto de baterías, aceites y materiales semejantes con el medioambiente. Por este motivo, entregue los aparatos usados en los puntos de recogida previstos para su reciclaje.

Antes de desguazar el aparato retire la batería integrada y elimínela de forma respetuosa con el medio ambiente.

Los equipos eléctricos y electrónicos contienen a menudo componentes que pueden representar un peligro potencial para la salud de las personas y para el medio ambiente en caso de que se manipulen o se eliminen de forma errónea. Estos componentes son necesarios para el correcto funcionamiento del equipo. Los equipos marcados con este símbolo no pueden eliminarse con la basura doméstica.

Indicaciones sobre ingredientes (REACH)

Encontrará información actual sobre los ingredientes en:

www.kaercher.com/REACH

Elementos de mando

Figura 1, véase contraportada

- 1 Tecla "ECO mode"
- 2 Tecla "AUTO"
- 3 anuncio
- 4 Tecla de encendido/apagado de la aspiración
- 5 Botón solución de detergente
- 6 Desbloqueo volante
- 7 Volante
- 8 Interruptor de seguridad
- 9 Filtro solución de limpieza
- 10 Tapa del depósito de agua sucia
- 11 depósito de agua sucia
- 12 Depósito de agua limpia
- 13 Asa de transporte
- 14 cepillo en forma de disco
- 15 barra de aspiración
- 16 Interruptor del aparato
- 17 Botón giratorio barra de aspiración
- 18 Batería
- 19 Desbloqueo, batería

Pantalla

Figura 2, véase contraportada

- 1 Reloj de arena, parpadea con el contador de las horas de servicio en marcha
- 2 Tiempo de funcionamiento, horas
- 3 Tiempo de funcionamiento, minutos
- 4 Estado de carga batería, diagrama de barras
- 5 Estado de carga batería, en %

Símbolos en el aparato

	Desbloqueo, batería
	Asa de transporte
	Barra de aspiración subida
	Barra de aspiración bajada
	Orificio de salida, agua sucia
	No mover hacia arriba el equipo con el depósito lleno.

Primera puesta en marcha

- ➔ Antes de la primera puesta en marcha, cargar completamente la batería.

Cargar la batería

Figura 3, véase contraportada

- 1 Interruptor del cargador
- 2 LED rojo, estado de carga se ilumina en rojo: la batería se está cargando
off: la batería está cargada completamente
- 3 LED verde, alimentación de tensión

- Colocar el interruptor principal en la posición "0".
- Presionar los desbloques de la batería y extraerla del equipo.
- Enchufar el enchufe del cargador.
- Colocar el interruptor del cargador en "1"; el LED verde se ilumina.
- Colocar la batería en el cargador: el LED rojo se ilumina.

La batería está totalmente cargada cuando el LED rojo se apaga.

Indicación:

La batería puede permanecer en el cargador una vez finalizado el proceso de carga.

Funcionamiento

Colocar la batería

- Sacar la batería del cargador.
- Deslizar la batería en el equipo hasta que los desbloques encastran.

Montar los cepillos

Figura 4, véase contraportada

- Girar hacia arriba el equipo.
- Empujar el cepillo hasta el tope en el arrastrador.

Ajustar el volante

- Colocar el interruptor principal en la posición "0".
- Tirar del desbloqueo del volante hacia arriba y sujetar.
- Cambiar la inclinación del volante.
- Soltar el desbloqueo del volante.

Extraiga el depósito de agua sucia

- Colocar el interruptor principal en la posición "0".

Figura 5, véase contraportada

- Girar hacia abajo ambos cierres.
- Levantar el depósito de agua sucia.

Rellenar el depósito de agua limpia

⚠ PRECAUCIÓN

Peligro de daños en la instalación. Utilice únicamente el detergente recomendado. Para otros detergentes, el operador asume un mayor riesgo en la seguridad del funcionamiento y el peligro de accidentes. Peligro de accidentes y duración reducida del aparato.

Utilizar solo detergentes que no contengan disolventes, ácidos clorhídricos ni ácidos hidrofúricos.

Tener en cuenta las indicaciones de seguridad de los detergentes.

Indicación:

No utilice detergentes altamente espumosos.

Respete las indicaciones de dosificación.

Detergente recomendado:

Empleo	Detergente	Dosificación
Detegente de mantenimiento alcalino	RM 743	0,5 - 2,0%
Detergente de mantenimiento ácido, para áreas sanitarias, piscinas, etc. Elimina los depósitos de cal.	RM 738	0,5 - 3,0%
Cuidados EXTRA	RM 780	0,5 - 2,0%

Figura 6, véase contraportada

- 1 Depósito de agua limpia
- 2 Orificio de purgado del depósito de agua limpia
- 3 Tapa depósito de agua limpia
- 4 Orificio de llenado del depósito de agua limpia

- Extraer el depósito de agua sucia.
- Extraer el depósito de agua fresca del aparato.
- Comprobar si la boca de salida está correctamente cerrada.
- Abra la tapa del depósito de agua limpia.
- Añadir mezcla de agua y detergente. Temperatura máxima del líquido 50 °C.
- Cierre la tapa del depósito de agua limpia.
- Colocar el depósito de agua limpia en el aparato.
- Colocar y bloquear el depósito de agua sucia.

Limpieza

Figura 7, véase contraportada

- 1 Botón giratorio barra de aspiración
 - 2 Interruptor del aparato
 - 3 Interruptor de seguridad
 - 4 Tecla "ECO mode"
- Girar el botón giratorio de bajada de la barra de aspiración en el sentido contrario a las agujas del reloj; la barra de aspiración se baja.
 - Colocar el interruptor principal en la posición "I".
 - Tirar del interruptor de seguridad del volante; se conectarán el accio-

namiento de cepillos y el sistema de aspiración.

El equipo se mueve hacia adelante.

Seleccionar rendimiento de limpieza

Al inicio de la limpieza, el equipo se encuentra en modo ECO. En la pantalla aparece "ECO".

La tecla "modo ECO" conmuta entre el modo ECO y el modo de rendimiento de limpieza superior.

- Soltar el interruptor de seguridad.
- Pulsar la tecla "modo ECO".
- Tirar del interruptor de seguridad del volante.

Dosificar la solución de limpieza

- Pulsar la tecla solución de limpieza con el equipo en marcha. La dosificación se muestra en la pantalla. La dosificación avanza un nivel con cada pulsación.

Figura 8, véase contraportada

- 1 Dosificación de solución de limpieza OFF
- 2 Dosificación de solución de limpieza nivel 3

Aspiración en marcha atrás

- Presionar el volante para subir el cepillo; la barra de aspiración se gira en la parte delantera del equipo.
- Bajar el equipo.
- Tirar del equipo marcha atrás.

Limpieza sin aspiración

- Colocar el interruptor principal en la posición "0".
- Girar la barra de aspiración centrada por debajo del equipo.
- Elevar la barra de aspiración, presionar el botón giratorio de la barra de aspiración y girar en el sentido de las agujas del reloj.
- Colocar el interruptor principal en la posición "I".
- Pulsar la tecla de aspiración; la aspiración se apagará al cabo de aprox. 5 segundos.
- Llevar a cabo la limpieza.

Finalizar la limpieza

- Soltar el interruptor de seguridad.
- Colocar el interruptor principal en la posición "0".
- Elevar la barra de aspiración, presionar el botón giratorio de la barra de aspiración y girar en el sentido de las agujas del reloj.
- Tirar del desbloqueo del volante hacia arriba y sujetar.
- Poner la columna de dirección en vertical.
- Soltar el desbloqueo del volante.

Vaciado del depósito de agua sucia

Indicación:

Cuando el depósito de agua sucia está lleno, el flotador cierra el canal de admisión. La aspiración se interrumpe. Vacíe el depósito de agua sucia.

⚠ **ADVERTENCIA**

Respetar la normativa local vigente en materia de tratamiento de aguas residuales.

→ Apagar el aparato (ver el apartado "Finalizar la limpieza").

Figura 9, véase contraportada

- 1 dispositivo de bloqueo
 - 2 Tapa del depósito de agua sucia
 - 3 depósito de agua sucia
 - 4 Depósito de agua limpia
 - 5 Cierre depósito de agua sucia
- Girar hacia arriba ambos cierres.
→ Extraiga la tapa.
→ Retirar el depósito de agua sucia (ver el apartado "Retirar el depósito de agua sucia").
→ Verter el agua sucia.
→ Abra la tapa.
→ Vaciar totalmente el depósito.
→ Aclare el depósito de agua sucia con agua limpia.
→ Asegure el cierre.
→ Colocar el depósito de agua sucia en el depósito de agua limpia con cuidado. No dañar los componentes marcados con una flecha.
→ Girar hacia arriba los cierres.
→ Colocar y bloquear la tapa.

Vaciado del depósito de agua limpia

→ Retirar el depósito de agua sucia (ver el apartado "Retirar el depósito de agua sucia").

Figura 6, véase contraportada

- 1 Depósito de agua limpia
- 2 Orificio de purgado del depósito de agua limpia
- 3 Tapa depósito de agua limpia
- 4 Orificio de llenado del depósito de agua limpia

- Extraer el depósito de agua fresca del aparato.
→ Abrir la boca de salida del depósito de agua limpia.
→ Verter el detergente líquido.
→ Cierre la tapa del depósito de agua limpia.
→ Colocar el depósito de agua limpia en el aparato.

Transporte

⚠ **PRECAUCIÓN**

¡Peligro de lesiones y daños! Respetar el peso del aparato para el transporte.

- Colocar el interruptor principal en la posición "0".
→ Tirar del desbloqueo del volante hacia arriba y sujetar.
→ Girar el volante a la posición vertical.
→ Soltar el desbloqueo del volante.
→ Deslizar el aparato.
o
→ Colocar el interruptor principal en la posición "0".
→ Tirar del desbloqueo del volante hacia arriba y sujetar.
→ Girar el volante a la posición horizontal.
→ Levante el aparato por el asa y de sopórtelo.

→ Al transportar en vehículos, asegurar el aparato para evitar que resbale y vuelque conforme a las directrices vigentes.

Almacenamiento

⚠ **PRECAUCIÓN**

¡Peligro de lesiones y daños! Respetar el peso del aparato en el almacenamiento.

Este aparato sólo se puede almacenar en interiores.

Cuidados y mantenimiento

⚠ **PELIGRO**

Riesgo de lesiones si el aparato arranca de forma involuntaria.

Antes de realizar trabajos en el equipo, desconectarlo y quitar las baterías.

CUIDADO

Riesgo de daños en el aparato si sale agua. Vaciar el depósito de agua sucia y el depósito de agua limpia antes de realizar trabajos de mantenimiento.

Plan de mantenimiento

Después del trabajo

CUIDADO

Peligro de daños en la instalación. No salpique al aparato con agua ni utilice detergentes agresivos.

- Vaciado del depósito de agua sucia.
→ Aclare el depósito de agua sucia con agua limpia.
→ Limpiar la tapa del recipiente de agua sucia con agua corriente. Limpiar las válvulas del flotador con un paño húmedo. Enjuagar con agua la abertura con la marca "A".

Aplicar aire comprimido en la abertura con la marca "C".

- Vaciar el depósito de agua limpia.
→ Enjuagar el aparato: Llenar el depósito de agua limpia con agua limpia (sin detergente) y hacer funcionar un minuto el aparato con la irrigación de cepillos conectada.
→ Vaciar el depósito de agua limpia.
→ Limpie el aparato por fuera con un trapo húmedo ligeramente empapado en una solución jabonosa suave.
→ Limpiar las barras de aspiración; comprobar si presentan desgaste y, en caso necesario, cambiar los labios de aspiración (ver "Trabajos de mantenimiento").
→ Limpiar la manguera de aspiración.
→ Limpiar el cepillo y comprobar el desgaste. Longitud mínima de las cerdas: 10 mm.
→ Cargar la batería.

Todas las semanas

→ Limpiar el filtro de la solución de limpieza (ver "Trabajos de mantenimiento").

Anualmente

→ Encargue a un electricista la revisión de seguridad obligatoria.

Trabajos de mantenimiento

Limpiar la barra de aspiración

Figura 10, véase contraportada

- 1 Soporte de la barra de aspiración
- 2 barra de aspiración
- 3 Manguera de aspiración
- 4 Junta
- 5 Labio de aspiración

- Girar la barra de aspiración en la parte delantera del equipo.
→ Sacar la manguera de absorción de la barra.
→ Girar los cierres 90° en el sentido contrario a las agujas del reloj.
→ Levantar el soporte y extraer la barra de aspiración (no perder el sellado).
→ Enjuagar la barra de aspiración y los labios de aspiración y, a continuación, limpiar con un paño húmedo.
→ Comprobar los labios de aspiración. Cambiar o girar los labios de aspiración desgastados.
→ Volver a colocar otra vez la barra de aspiración en el aparato.

Recambio del cepillo

- Extraer el depósito de agua limpia.
→ Extraer el depósito de agua sucia.

- Tirar del desbloqueo del volante hacia arriba y sujetar.
- Girar el volante a la posición vertical.
- Soltar el desbloqueo del volante.
- Inclinar el aparato hacia atrás.
- Extraer los cepillos.
- Empujar el cepillo nuevo hasta el tope en el arrastrador.

Limpiar filtro de la solución de limpieza

- Extraer el depósito de agua limpia y el depósito de agua sucia.
- Extraer el filtro de la solución de limpieza y enjuagar con agua.
- Volver a colocar el filtro.
- Colocar el depósito de agua limpia y el depósito de agua sucia.

Protección antiheladas

En caso de peligro de heladas:

- Vacíe el depósito de agua limpia y el depósito de agua sucia.
- Guarde el aparato en un lugar protegido de las heladas.

Averías

⚠ PELIGRO

Riesgo de lesiones si el aparato arranca de forma involuntaria.

Antes de realizar trabajos en el equipo, desconectarlo y quitar las baterías.

⚠ CUIDADO

Riesgo de daños en el aparato si sale agua. Vaciar el depósito de agua sucia y el depósito de agua limpia antes de realizar trabajos de mantenimiento.

Cuando las averías no se puedan solucionar con ayuda de la tabla que aparece a continuación, acuda al servicio técnico.

El aparato no se pone en marcha

- Coloque el interruptor principal en la posición "1".
- Si en la pantalla aparece un aviso de fallo, desconectar inmediatamente el equipo y contactar con el servicio de postventa.
- Colocar la batería correctamente en el equipo.
- Leer el estado de carga de la batería en la pantalla; si es necesario, cargar la batería.

Problemas al cargar la batería

- Conectar el cable de alimentación correctamente al cargador y al enchufe.
- Comprobar si el cargador es adecuado para la red disponible.

Indicador de avería del cargador

- El LED rojo parpadea una vez. La batería está defectuosa.

- El LED rojo parpadea dos o tres veces. Avería del cargador. Desconectar el cargador, esperar un momento y conectar de nuevo. Si sigue produciéndose el fallo, acuda al servicio técnico.
- El LED rojo parpadea cuatro veces. Cargador sobrecalentado. Dejar el cargador al aire para que se enfríe. Esperar a que el cargador se enfríe.

Batería vacía tras un tiempo de servicio reducido

- Cargar totalmente la batería.

Solución de limpieza insuficiente

- Comprobar el nivel de llenado del depósito de agua limpia.
- Aumentar la dosificación de solución de limpieza.
- Limpiar el filtro de la solución de limpieza.

Rendimiento de limpieza deficiente

- Aumentar la dosificación de solución de limpieza.
- Ajustar el rendimiento de limpieza aumentado.
- Compruebe que el tipo de cepillo y el detergente son adecuados.
- Sustituir el cepillo desgastado.

Aspiración deficiente

- Vacíe el depósito de agua sucia.
- Limpiar la barra de aspiración y la manguera de aspiración.
- Comprobar el correcto asiento de la tapa del depósito de agua sucia.
- Comprobar el correcto asiento del cierre del depósito de agua sucia.
- Comprobar si el depósito de agua sucia presenta alguna obstrucción.
- Limpiar el flotador de la tapa del depósito de agua sucia.

Accesorios

Accesorios	Nº referencia
Cepillo, rojo	6.670-127.0
Discos porta-almohadillas limpiadoras	6.670-129.0
Juego de labios de aspiración	6.670-234.0

Accesorios y piezas de repuesto

Utilice solamente accesorios y recambios originales, ya que garantizan un funcionamiento correcto y seguro del equipo.

Puede encontrar información acerca de los accesorios y recambios en www.kaercher.com.

Garantía

En todos los países rigen las condiciones de garantía establecidas por nuestra empresa distribuidora. Las averías del accesorio serán subsanadas gratuitamente dentro del periodo de garantía, siempre que se deban a defectos de material o de fabricación. En un caso de garantía, le rogamos que se dirija con el comprobante de compra al distribuidor donde adquirió el aparato o al servicio al cliente autorizado más próximo a su domicilio.

Datos técnicos

Potencia		
Tensión nominal	VDC	36,5
Capacidad de la batería	Ah	5,2
Consumo medio de potencia	W	240
Categoría de protección		IP23
Aspirar		
Potencia de aspiración, caudal de aire	cfm (l/s)	10,38 (4,9)
Potencia de aspiración, depresión	psi (kPa)	0,33 (2,25)
Potencia de aspiración, baja presión, Eco	psi (kPa)	0,22 (1,5)
Cepillo de limpieza		
Anchura de trabajo	in (mm)	11 (280)
Diámetro cepillos	in (mm)	11 (280)
Nº de rotaciones de los cepillos	1/min	190
Medidas y pesos		
Potencia teórica por metro cuadrado	ft ² /h (m ² /h)	6000 (560)
Volumen de los depósitos de agua limpia y agua sucia	gal (l)	0,66/0,79 (3,0/3,6)
Longitud x anchura x altura	in (mm)	21,9 x 14,8 x 41,4 (555 x 375 x 1050)
Peso de transporte	lbs (kg)	44,1 (20)
Peso total	lbs (kg)	50,7 (23)
Valores calculados conforme a la norma EN 60335-2-72		
Valor de vibración mano-brazo	m/s ²	<2,5
Nivel de presión acústica L _{pA}	dB(A)	<70
Inseguridad K _{pA}	dB(A)	2,3
Nivel de potencia acústica L _{WA}	dB(A)	83,1
Inseguridad K _{WA}	dB(A)	2,3
Cargador		
Nordelectronica mod. NE316		
Tensión nominal	V	100...240
Frecuencia	Hz	50-60
Consumo de potencia	A	2...1



<http://www.kaercher.com/dealersearch>

