

## BDS 43/Orbital C Spray

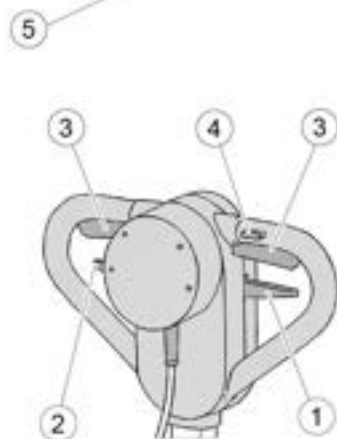
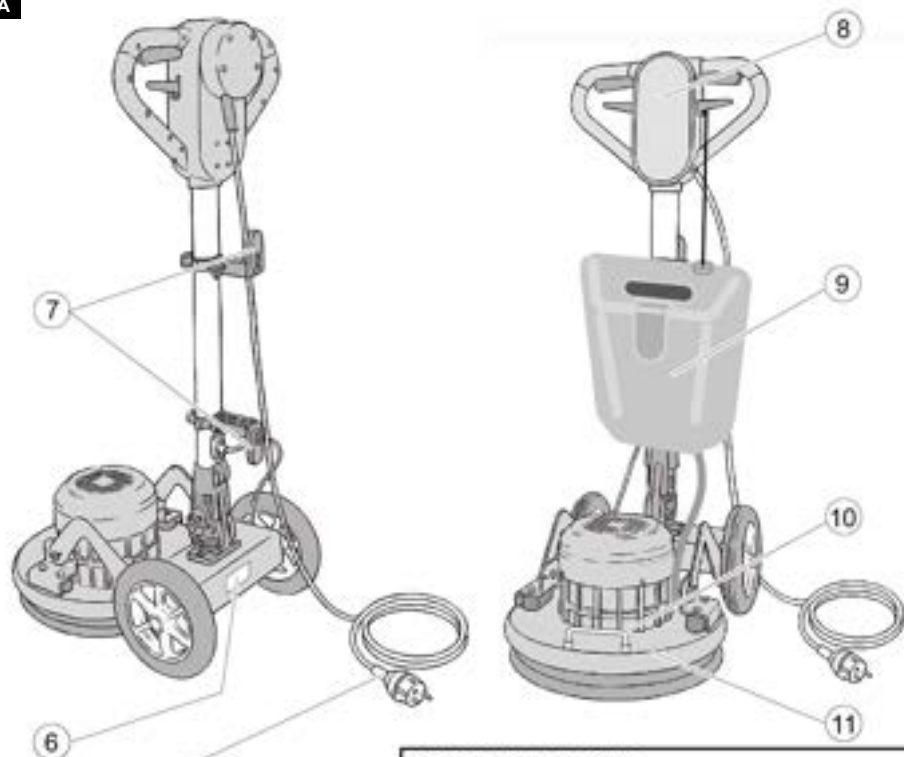
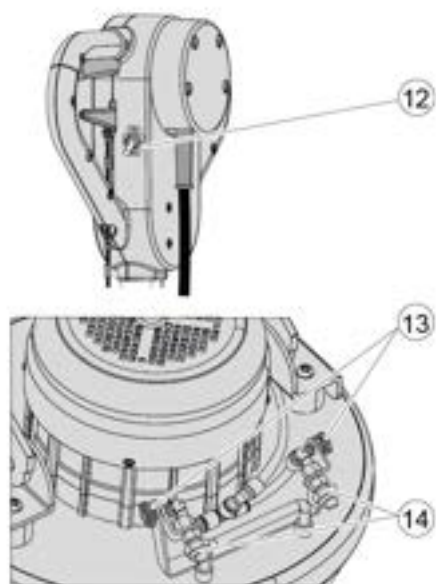
English	5
Français	14
Español	24

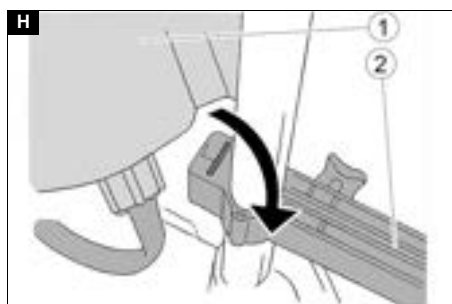
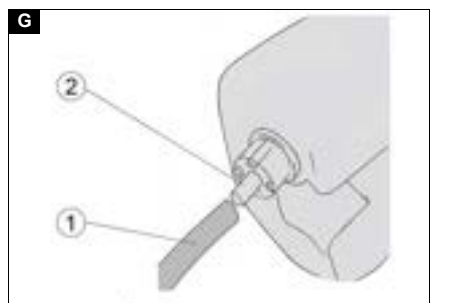
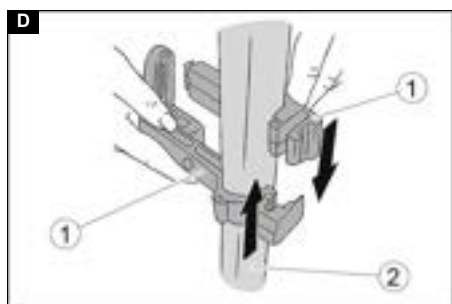
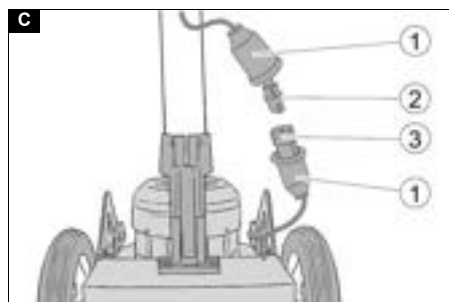
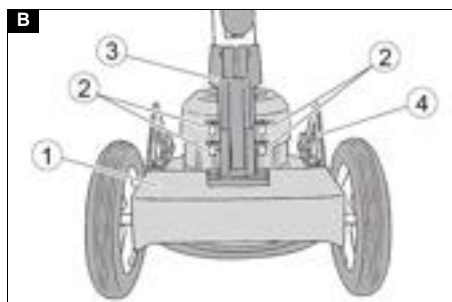


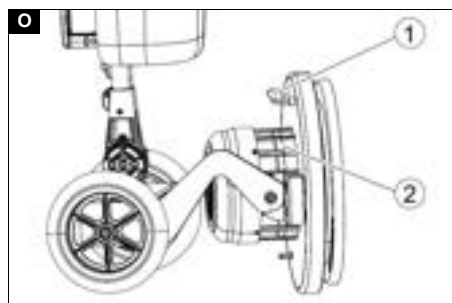
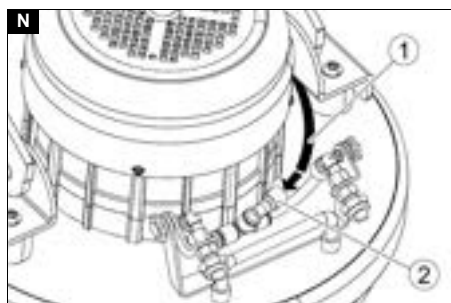
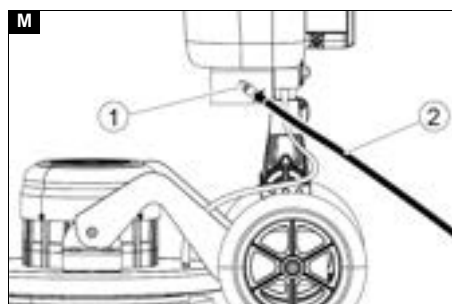
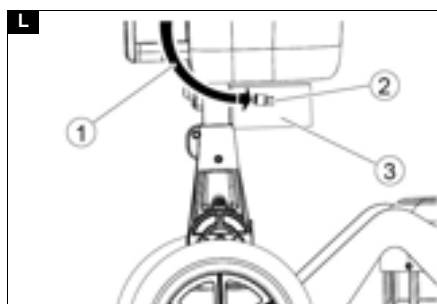
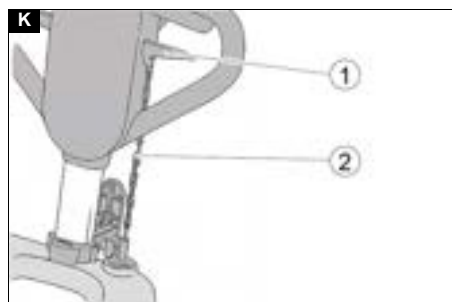
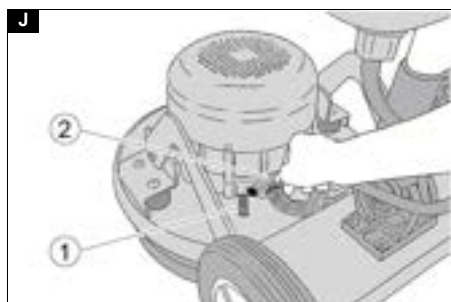
**Register  
your product**  
[www.kärcher.com/welcome](http://www.kärcher.com/welcome)



59565060 (05/21)

**A****BDS 43/Orbital C Spray**





## Contents

IMPORTANT SAFETY INSTRUCTIONS .....	5
General notes .....	7
Intended use .....	7
Safety instructions.....	8
Environmental protection .....	8
Accessories and spare parts.....	8
Scope of delivery .....	9
Control elements.....	9
Installation.....	9
Initial startup.....	10
Operation .....	11
Shutting down .....	11
Transport.....	12
Storage .....	12
Care and service.....	12
Troubleshooting guide.....	12
Warranty.....	13
Technical data .....	13

## IMPORTANT SAFETY INSTRUCTIONS

### SAFETY INSTRUCTIONS

#### CAUTION

#### READ ALL INSTRUCTIONS BEFORE USING THIS MACHINE

- Inform your dealer immediately if there is any shipping damage.
- Completely remove the accessories from the box.
- Only operate the appliance from a grounded outlet. Refer to the Technical data for the necessary main fuse.
- Connect to a properly grounded outlet only. See Grounding Instructions.

When using an electrical machine, basic precautions should always be followed, including the following: This appliance is intended for commercial use.

1 **DISCONNECT APPLIANCE FROM POWER CIRCUIT** before removing the cover, performing maintenance work, and when not in use.

- 2 **DO NOT LEAVE** the machine unattended when plugged in.
- 3 **ALWAYS CHECK THE POWER SUPPLY CORD** for damage or signs of any aging before each use.
- 4 **DO NOT PULL OR CARRY APPLIANCE BY CORD.** Do not use cord as a handle. Keep cord away from heated surfaces or fire. Do not close door on cord or pull cord around sharp edges.
- 5 **KEEP CORD AWAY FROM HEAT AND OIL.** Do not leave cord lying around after job is complete. It can become a tripping hazard.
- 6 **DO NOT RUN MACHINE OVER CORD.**
- 7 **TURN SWITCH TO OFF** before unplugging power supply cord.
- 8 **DO NOT UNPLUG BY PULLING CORD.** To unplug, grasp plug, not cord.
- 9 **DO NOT GRASP PLUG WITH WET HANDS.**
- 10A **DAMAGED CORD OR PLUG** should only be replaced by an authorized service center representative. **DO NOT ATTEMPT TO REPAIR POWER CORD.**
- 11 **TO AVOID SHOCK,** do not expose to rain. Store indoors.
- 12 **USE ONLY AS RECOMMENDED BY THIS MANUAL.** Use only with recommended attachments.
- 13 **KEEP HAIR, CLOTHING, LOOSE JEWELRY, FINGERS** and all parts of the body away from openings and moving parts.
- 14 **CONNECT THE APPLIANCE WITH PROPERLY GROUNDED OUTLET ONLY.** See grounding instructions.
- 15 **DO NOT ALLOW THE APPLIANCE TO BE USED AS A TOY.** Keep children away.

- 16DO NOT LEAVE UNATTENDED while Machine is running.
- 17DO NOT USE IF CORD, PLUG OR MACHINE IS IN POOR CONDITION. If the Appliance has been dropped, damaged, exposed to weather, or dropped into water; have it checked by an authorized service.
- 18ALWAYS USE EYE PROTECTION when operating the machine.
- 19USE EXTRA CAUTION when operating on stairs.
- 20STAY ALERT! Do not use the machine when you are tired or under the influence of drugs, alcohol or medication.

**SAVE THESE INSTRUCTIONS**  
**This appliance is intended for commercial use.**

**GROUNDING INSTRUCTIONS**

- This appliance must be grounded. If it should malfunction or break down, grounding provides a path of least resistance for electric current to reduce the risk of electric shock.
- This appliance is equipped with a cord having an equipment grounding conductor and ground plug.
- The plug must be inserted into an appropriate outlet that is properly installed and grounded in accordance with all local codes and ordinances.

To comply with the National Electrical Code(NFPA 70) and to provide additional protection from the risk of electric shock, this appliance should only be connected to a receptacle that is protected by a ground fault circuit interrupter (GFCI).

**WARNING:**

- Improper connection of the equipment grounding conductor can result in a risk of electric shock.

- Check with a qualified electrician or service person if you are in doubt as to whether the outlet is properly grounded.
- Do not modify the plug provided with the appliance.
- If it will not fit the outlet, have a proper outlet installed by a qualified electrician.
- This appliance is for use on a nominal 120-volt circuit, and has a grounded plug that looks like the plug illustrated in Fig.A.
- A temporary adapter that looks like the adapter illustrated in Fig.B, may be used to connect this plug to a two-pole receptacle as shown in Fig.B, if a properly grounded outlet is not available.
- The temporary adapter should be used only until a properly grounded outlet (Fig.A) is installed by a qualified electrician.
- The green colored rigid ear, lug, or the like extending from the adapter must be connected to a permanent ground such as a properly grounded outlet box cover.
- Whenever the adapter is used, it must be held in place by a metal screw.

**IN ALL CASES, MAKE SURE THE RECEPTACLE IN QUESTION IS PROPERLY GROUNDING.**

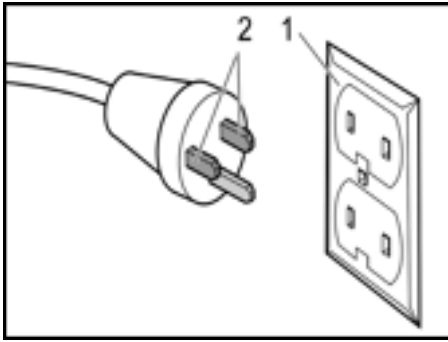
**NEVER REMOVE GROUNDING PRONG FROM POWER PLUG.**

**EXTENSION CORDS**

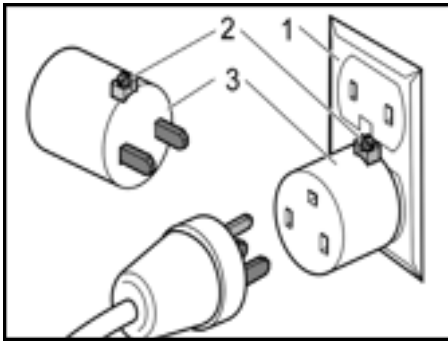
Use only three-wire extension cords that have three-prong grounding-type plugs and three-pole receptacle that accepts the appliance's plug. Replace damaged or worn cord immediately.

**DO NOT ATTEMPT TO REPAIR POWER CORD.**

Figure A



- ① Grounded outlet box
  - ② Current carrying prongs
- Grounding prong is longest of the 3 prongs
- Figure B



- ① Grounded outlet box
- ② Grounding means
- ③ Adapter

## Note


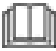
In Canada, the use of a temporary adapter is not permitted by the Canadian Electrical Code.

### Servicing of double-insulated machines

In a double-insulated machine, two systems of insulation are provided instead of grounding. No grounding means is provided on a double-insulated machine, nor should a means for grounding be added to the machine. Servicing a double-insulated machine requires extreme care and knowledge

of the system, and should be done only by qualified service personnel. Replacement parts for a double-insulated machine must be identical to the parts they replace.

### General notes

  Read these original operating instructions and the enclosed safety instructions before using the device for the first time. Proceed accordingly.

Keep both books for future reference or for future owners.

### Intended use

Use the device only in accordance with the information in these operating instructions.

- This device is suitable for commercial use, e.g. in hotels, schools, hospitals, factories, shops, offices, and rental companies.
- Only use the device for cleaning hard surfaces that are not sensitive to moisture and polishing.
- Only use the device at an ambient temperature between +5°C and +40°C.
- Do not use the device for cleaning frozen floors (e.g. in cold stores).
- Only equip the device with original accessories and spare parts.
- Only use the device for cleaning indoor floors or floors under covered areas.
- Do not use the device for cleaning public traffic routes.
- The device must not be used outdoors.
- Do not use the device in a corrosive environment.
- Never use the device in potentially explosive atmospheres.

- Only use the device on surfaces with a maximum incline as specified in the "Technical data" section.
- Only connect accessories to the plug in the device that are listed in the chapter "Accessories".

## Safety instructions

Before using the device for the first time, read and observe these operating instructions and the accompanying brochure: Safety instructions for single disc machines, No. 5.956-659.0.

### Symbols on the device



#### Danger of burns

During operation, certain parts of the device become hot.

Do not touch parts marked in this way until they have cooled down.

### Safety devices

## ⚠ CAUTION

#### Missing or modified safety devices

Safety devices are provided for your own protection.

Never modify or bypass safety devices.

### Unlocking button

The device cannot be started if the unlocking button is not pressed.

## Environmental protection



The packing materials can be recycled. Please dispose of packaging in accordance with the environmental regulations.



Electrical and electronic appliances / devices contain valuable, recyclable materials and often components such as batteries, rechargeable batteries or oil, which - if handled or disposed of incorrectly - can pose a potential threat to human health and the environment. However,

these components are required for the correct operation of the appliance / device. Appliances / devices marked by this symbol are not allowed to be disposed of together with the household trash.

### Notes on the content materials (REACH)

Current information on content materials can be found at: [www.kaercher.de/REACH](http://www.kaercher.de/REACH)

## Accessories and spare parts

Only use original accessories and original spare parts. They ensure that the appliance will run fault-free and safely. Information on accessories and spare parts can be found at [www.kaercher.com](http://www.kaercher.com).

### Accessories

Description	Order no.
Pad, red	6.369-470.0
Pad, green	6.369-472.0
Pad, black	6.369-473.0
Pad, blue	6.369-471.0
Pad, bonnet, 5 pieces	6.905-098.0
Pad SPP	6.371-344.0
Polishing pad, white	6.369-469.0
Polishing pad, with natural hair	6.371-149.0
Polishing pad, with light granulation	6.371-081.0
Diamond pad, green, 5 pieces	6.371-238.0
Diamond pad, white, 5 pieces	6.371-256.0
Diamond pad, yellow, 5 pieces	6.371-257.0
Pad, Microfiber	6.371-346.0
Pad, melamine, 2 pieces	6.371-345.0
Tank BDS 43/Orbital C	5.051-992.0



## Scope of delivery

During unpacking, check the contents for completeness. If any accessories are missing or in the event of any shipping damage, please notify your dealer.

## Control elements

### Illustration A

- ① Lever tilt adjustment
- ② Dosing lever for cleaning solution
- ③ On/Off switch
- ④ Unlocking button
- ⑤ Power cord with mains plug
- ⑥ Type plate
- ⑦ Cable hook, rotatable
- ⑧ Handle
- ⑨ Detergent tank
- ⑩ Handle
- ⑪ Cleaning head
- ⑫ Switch Spray \*
- ⑬ Clamping screw \*
- ⑭ Nozzle \*

\* only with BDS 43/Orbital C Spray

## Installation

### Install the push rod

1. Align the holes on the push rod with the holes on the device.

### Illustration B

- ① Device
  - ② Screw
  - ③ Push rod
  - ④ Cable
2. Screw in and tighten the 4 screws.
  3. Insert the plug into the coupling.

### Illustration C

- ① Casing half
  - ② Plug
  - ③ Socket
4. Push the two casing halves into each other so that the connection is protected against spray water.

## Attach the cable hooks

A cable hook is attached to the top and bottom of the push rod.

1. Hold both halves of the cable hook against the push rod.

### Illustration D

- ① Cable hook
  - ② Push rod
2. Push both halves into each other in the direction of the arrow.
  3. Insert the screw through the cable hook.

### Illustration E

- ① Star grip
  - ② Screw
4. Screw on the star grip.
  5. Push the cable hook all the way down and align it on the push rod
  6. Tighten the star knob.
  7. Attach the second cable hook to the top of the push rod in the same way.

## Attach the detergent tank

1. Release the star grip of the upper cable hook.
2. Screw the chain to the detergent tank.

### Illustration F

- ① Chain
  - ② Detergent tank
3. Attach the hose to the hose nipple on the bottom of the detergent tank.

### Illustration G

- ① Hose
- ② Hose nipple

## Note

The lower cable hook must be placed as low as possible, otherwise the dosing of the cleaning solution will not work correctly.

4. Slide the detergent tank onto the lower cable hook.

### Illustration H

- ① Detergent tank
  - ② Cable hooks at the bottom
5. Slide the upper cable hook down to the detergent tank. Make sure the pin on the tank is seated in the recess on the cable hook.

#### Illustration I

- ① Detergent tank
  - ② Pin
  - ③ Star grip
  - ④ Recess
6. Tighten the star grip on the upper cable hook.
  7. Attach the hose to the hose nipple on the device.

#### Illustration J

- ① Hose nipple
  - ② Hose
8. Guide the chain through the opening on the handle and hook it in at the dosing lever for the cleaning agent.

#### Illustration K

- ① Dosing lever for cleaning agent
- ② Chain

### Connecting the spray system

Only the BDS 43/Orbital C Spray is equipped with a spray system.

1. Plug the hose from the detergent tank into the pump inlet.

#### Illustration L

- ① Hose
  - ② Pump inlet
  - ③ Pump
2. Insert the hose piece at the pump outlet.

#### Illustration M

- ① Pump outlet
  - ② Hose piece
3. Plug the other end of the hose into the spray nozzle distributor.

#### Illustration N

- ① Hose piece
- ② Distributor for spray nozzles

## Initial startup

### Attach the pad

1. Select the appropriate pad for the cleaning task.
2. Make sure the mains plug is disconnected.
3. Swivel the cleaning head upwards by lifting it by the handle.

#### Illustration O

- ① Handle
  - ② Cleaning head
4. Center and press the pad onto the pad drive board.
  5. Swivel the cleaning bath downwards.

### Filling with detergent

## WARNING

### Unsuitable detergents

Health risk, damage to the device  
Use only recommended detergents.  
The operator carries all increased risks relating to operational safety and increased risk of accidents if using other detergents.

Use only detergents free of solvents, salt and hydrofluoric acid.  
Adhere to the safety instructions stated on the detergent packaging.

## ATTENTION

### Risk of damage

A cleaning solution with a temperature above 50 °C can cause damage to the device.

Do not fill the detergent tank with a cleaning solution that is above the maximum temperature of 50 °C.

1. Fill the detergent tank with cleaning solution.

## Operation

### Adjusting the handle

## WARNING

### Danger of accident

If the handle is adjusted while the motor is running, the device may perform uncontrolled movements.

Only adjust the handle when the device is switched off.

1. Pull the tilt adjustment lever upwards and hold it.
2. Move the handle to a comfortable position (approximately hip height).
3. Release the tilt adjustment lever.
4. Gently move the handle up and down until it locks into place.

### Switching the device on

## WARNING

### Danger of injury

Without ground friction, the pad can assume very high speeds. It can fly away and cause injuries.

Do not switch on the device when the cleaning head is swiveled up.

**The maximum permissible grid impedance at the electrical connection point (see Technical data) must not be exceeded.**

Contact your electricity supplier in the case of any uncertainties regarding the mains grid impedance at your electrical connection point.

## ATTENTION

### Risk of damage

If the device is operated in one spot for a long time, the floor covering may become damaged.

Always move the device while it is switched on.

1. Unwind the power cord completely from the cable clips.
2. Insert the mains plug into an outlet.

3. Hold the handle with both hands.
4. Press and hold the unlocking button.
5. Operate the ON/OFF switch.
6. Release the unlocking button.
7. To interrupt operation, release the ON/OFF switch.

### Cleaning

1. Switch the device on.
2. Pull the cleaning solution lever when the pad is to be supplied with cleaning solution.
3. Guide the device over the surface to be cleaned.
4. In case of heavy contamination, go over the affected area several times.
5. Afterwards, vacuum the waste water with a wet vacuum cleaner or soak it up with a cloth.

### Spray system

Only the BDS 43/Orbital C Spray is equipped with the spray system. On this system, cleaning solution is applied from two nozzles in front of the device.

1. Set the Spray switch to the "ON" position.

### Adjust the nozzles

1. Release the clamping screw.
2. Align the nozzle.
3. Tighten the clamping screw.

### Shutting down

1. Pull the mains plug out of the outlet.
2. Pull the tilt adjustment lever upwards and hold it.
3. Move the handle to a vertical position.
4. Release the tilt adjustment lever.
5. Remove the remaining cleaning solution from the detergent tank.
6. Rinse the detergent tank with clean water.

## 7. BDS 43/Orbital C Spray only:

Rinse the spray system with clean water.

8. Wind the power cord around the cable hooks.
9. Swivel the cleaning head upwards by lifting it by the handle.

### Illustration O

- ① Handle
  - ② Cleaning head
10. Remove the pad from the pad drive board.
  11. Clean the device with a damp cloth.

## Transport

### ⚠ CAUTION

#### Failure to observe the weight

Risk of injury and damage

Be aware of the weight of the device during transportation.

1. Pull the tilt adjustment lever and position the handle vertically.
2. Release the tilt adjustment lever.
3. Tilt the device backwards and go to the destination.
4. Secure the device in accordance with the respective applicable guidelines to prevent it from slipping or overturning when in transport.

## Storage

### ⚠ CAUTION

#### Failure to observe the weight

Risk of injury and damage

Be aware of the weight of the device during transport and storage.

1. Store the device indoors only.
2. To protect the pad, swivel the cleaning head upwards by lifting it by the handle.

### Illustration O

- ① Handle
- ② Cleaning head

## Care and service

### ⚠ WARNING

#### Danger of injury

The device may start up unexpectedly. Make sure the mains plug is removed from the socket before starting any work on the device.

1. Wash dirty pads at a maximum temperature of 60°C.
2. Clean the casing of the device with a damp cloth and then rub dry.
3. Check the power cord for damage.

## Troubleshooting guide

### ⚠ WARNING

#### Danger of injury

The device may start up unexpectedly. Make sure the mains plug is removed from the socket before starting any work on the device.

In the event of malfunctions that cannot be remedied using the following information, please contact Customer Service.

#### Unsatisfactory cleaning result

- Replacing a dirty pad.
- Renewing a worn pad.
- Check the suitability of the detergent used for the application.
- Check the suitability of the pad used for the application.

#### The device vibrates strongly

- Check that the pad is positioned centrally on the pad drive board.
- Check the attachment of the pad.

#### The pad does not rotate

- Check whether any foreign objects are blocking the pad drive board. Remove any foreign objects if necessary.
- Plug the mains plug into the socket.

## Only with BDS 43/Orbital C Spray

### Spray system does not spray or sprays too little

- Refill the detergent tank.
- Clean the filter in the detergent tank.
- Clean the nozzles.

## Warranty

The warranty conditions issued by our relevant sales company apply in all countries. We shall remedy possible malfunctions on your appliance within the warranty period free of cost, provided that a material or manufacturing flaw is the cause. In a warranty case, please contact your dealer (with the purchase receipt) or the next authorized customer service site.

(See overleaf for the address)

## Technical data

	BDS 43/Orbital C Spray	
<b>Device performance data</b>		
Voltage	V	120
Phase	~	1
Frequency	Hz	60
Maximum permissible mains grid impedance	$\Omega$	0.401
Connection output	W	500
Protection class		IPX4
Fresh water tank volume	gal (l)	3,2 (12)
Max. working area slope	%	2
<b>Pad</b>		
Working width	in (mm)	16,9 (430)
Pad diameter	in (mm)	16,9 (430)

## BDS 43/Orbital C Spray

Pad speed	1/min	89
-----------	-------	----

### Ambient conditions

Permissible temperature range	°F (°C)	41... 104 (+5... +40)
-------------------------------	------------	--------------------------------

### Dimensions and weights

Length	in (mm)	27,2 (690)
Width	in (mm)	18,1 (460)
Height	in (mm)	50,4 (1280)
Weight	lbs (kg)	128 (58)

### Ermittelte Werte gemäß EN 60335-2-67

Overall vibration value	$m/s^2$	<2,5
Uncertainty K	dB(A)	0,2
Sound pressure level $L_{pA}$	dB(A)	59
Uncertainty $K_{pA}$	dB(A)	2
Sound power level $L_{WA} + K$ uncertainty $_{WA}$	dB(A)	71,5

Subject to technical changes without notice.

## Contenu

CONSIGNES DE SECURITE IM-PORTANTES.....	14
Remarques générales.....	16
Utilisation conforme .....	17
Consignes de sécurité .....	17
Protection de l'environnement.....	17
Accessoires et pièces de rechange ...	18
Étendue de livraison .....	18
Éléments de commande .....	18
Montage.....	18
Mise en service .....	20
Utilisation .....	20
Mise hors service .....	21
Transport.....	21
Stockage.....	22
Entretien et maintenance .....	22
Dépannage en cas de défaut.....	22
Garantie .....	22
Caractéristiques techniques.....	23

## CONSIGNES DE SECURITE IMPORTANTES

### CONSIGNES DE SECURITE

#### ATTENTION

#### LIRE TOUTES LES INSTRUCTIONS AVANT D'UTILISER CETTE MACHINE

- Informez immédiatement votre revendeur si vous constatez un quelconque dommage dû au transport.
- Retirez complètement les accessoires de la boîte.
- Ne faites fonctionner l'appareil que sur une prise de courant reliée à la terre. Reportez-vous aux données techniques pour connaître le fusible principal nécessaire.
- Raccordement uniquement à une prise mise à la terre correctement.

Voir Instructions de mise à la terre.

Lors de l'utilisation d'une machine électrique, respectez systématiquement les précautions de base, y compris les suivantes : Cet appareil est conçu pour une utilisation commerciale.

- 1 DÉBRANCHEZ L'APPAREIL DU CIRCUIT ÉLECTRIQUE avant de retirer le capot, de réaliser des travaux d'entretien et lorsque l'appareil n'est pas utilisé.
- 2 NE LAISSEZ PAS la machine sans surveillance lorsqu'elle est branchée.
- 3 VÉRIFIEZ SYSTÉMATIQUEMENT LE CORDON D'ALIMENTATION ÉLECTRIQUE pour voir s'il est endommagé ou s'il présente des signes de vieillissement avant chaque utilisation.
- 4 NE TIREZ PAS OU NE PORTEZ PAS L'APPAREIL PAR LE CORDON. N'utilisez pas le cordon comme une poignée. Maintenez le cordon à distance des surfaces chaudes ou du feu. Ne fermez pas de porte sur le cordon ou ne tirez pas le cordon autour de bords tranchants.
- 5 MAINTENEZ LE CORDON LOIN DE LA CHALEUR ET DE L'HUILE. Ne laissez pas traîner le cordon après la fin du travail. Le cordon peut provoquer un risque de trébuchement.
- 6 NE FAITES PASSER AUCUNE MACHINE SUR LE CORDON.
- 7 METTEZ L'INTERRUPTEUR SUR « ARRÊT » avant de débrancher le cordon d'alimentation électrique.
- 8 NE PAS TIRER SUR LE CABLE POUR DEBRANCHER L'APPAREIL. Pour débrancher, ne pas saisir le câble, mais la fiche.
- 9 NE PAS SAISIR LA FICHE AVEC LES MAINS MOUILLEES.
- 10 Un CORDON OU UNE FICHE ENDOMMAGÉ(E) ne doit être remplacé(e) que par le représentant d'un centre de service agréé. NE TENTEZ PAS DE RÉPARER LE CORDON D'ALIMENTATION.
- 11 POUR ÉVITER LES CHOCS, n'exposez pas l'appareil à la pluie. Stockez-le à l'intérieur.

12UTILISEZ L'APPAREIL UNIQUEMENT COMME C'EST RECOMMANDÉ PAR LE PRÉSENT MANUEL. Utilisez l'appareil uniquement avec les accessoires recommandés.

13TENEZ LES CHEVEUX, LES VÊTEMENTS, LES BIJOUX LÂCHES, LES DOIGTS et toutes les parties du corps éloignés des ouvertures et des pièces mobiles.

14NE RACCORDEZ L'APPAREIL QU'À UNE PRISE CORRECTEMENT MISE À LA TERRE. Voir les instructions de mise à la terre.

15L'APPAREIL NE DOIT PAS ÊTRE UTILISÉ COMME UN JOUET. Tenez les enfants à l'écart.

16NE LAISSEZ PAS la machine fonctionner SANS SURVEILLANCE.

17N'UTILISEZ PAS L'APPAREIL SI LE CORDON, LA FICHE OU LA MACHINE N'EST PAS EN BON ETAT. Si l'appareil est tombé, a été endommagé, exposé aux intempéries ou plongé dans l'eau, faites-le vérifier par un service de réparation autorisé.

18UTILISEZ TOUJOURS UNE PROTECTION OCULAIRE lorsque vous faites fonctionner la machine.

19FAITES PREUVE D'UNE EXTRÊME PRUDENCE lorsque vous travaillez dans des escaliers.

20RESTEZ VIGILANT(E) ! N'utilisez pas la machine si vous êtes fatigué(e) ou sous l'influence de drogues, de l'alcool ou de médicaments.

**CONSERVER CES INSTRUCTIONS**  
Cet appareil est conçu pour une utilisation commerciale.

### **INSTRUCTIONS DE MISE A LA TERRE**

- Cet appareil doit être mis à la terre. En cas de dysfonctionnement ou de panne, la mise à la terre fournit un

chemin de moindre résistance pour le courant électrique afin de réduire le risque de choc électrique.

- Cet appareil est équipé d'un cordon disposant d'un conducteur de mise à la terre de l'équipement et d'une fiche de terre.
- La fiche doit être insérée dans une prise appropriée installée correctement et mise à la terre conformément à toutes les normes et ordonnances locales.

Afin de respecter le Code national de l'électricité (NFPA 70) et de fournir une protection supplémentaire contre le risque d'électrocution, cet appareil ne doit être raccordé qu'à une prise protégée par un disjoncteur différentiel de fuite à la terre (GFCI).

#### **AVERTISSEMENT :**

- Tout raccordement inapproprié du conducteur de mise à la terre de l'équipement peut entraîner un risque d'électrocution.
- En cas de doute concernant la mise à la terre correcte d'une prise de courant, faites appel à un électricien qualifié ou au personnel de service.
- Ne modifiez pas la fiche fournie avec l'appareil.
- Si elle ne s'adapte pas à la prise, faites installer une prise appropriée par un électricien qualifié.
- Cet appareil est prévu pour être utilisé sur un circuit 120 V nom. et dispose d'une fiche de terre qui ressemble à la fiche représentée sur la figure A.
- Un adaptateur temporaire ressemblant à l'adaptateur représenté sur la figure B peut être utilisé pour raccorder cette fiche à une prise bipolaire comme indiqué sur la figure B, si une prise correctement mise à la terre n'est pas disponible.

- L'adaptateur temporaire ne doit être utilisé que jusqu'à ce qu'une prise de courant correctement mise à la terre (figure A) soit installée par un électricien qualifié.
- L'oreille rigide de couleur verte, la cosse ou tout autre élément similaire dépassant de l'adaptateur doit être raccordé(e) à une terre permanente telle qu'un cache de boîtier de prise correctement mis à la terre.
- Chaque fois que l'adaptateur est utilisé, il doit être maintenu en place par une vis métallique.

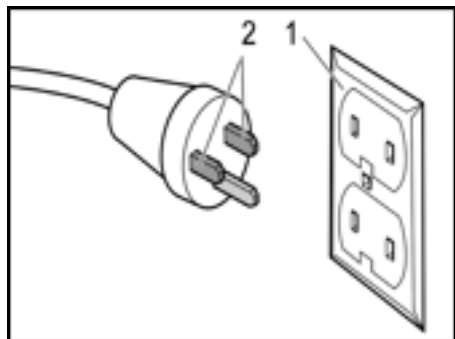
**DANS TOUS LES CAS, ASSUREZ-VOUS QUE LA PRISE EN QUESTION EST CORRECTEMENT MISE À LA TERRE.**

**NE RETIREZ JAMAIS LA BROCHE DE TERRE DE LA FICHE SECTEUR. RALLONGES**

N'utilisez que des rallonges à trois fils munies d'une fiche à trois broches avec terre et d'une prise tripolaire qui accepte la fiche de l'appareil. Remplacez immédiatement tout cordon endommagé ou usé.

**NE TENTEZ PAS DE RÉPARER LE CORDON D'ALIMENTATION.**

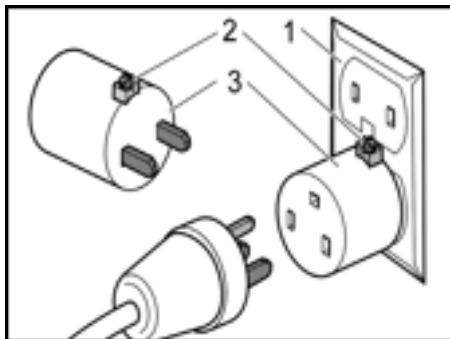
Figure A



- ① Boîtier prise de terre
- ② Broches conductrices

La broche de terre est la plus longue des 3 broches

Figure B



- ① Boîtier prise de terre
- ② Points de mise à la terre
- ③ Adaptateur

## Remarque

Au Canada, l'utilisation d'un adaptateur temporaire n'est pas autorisée par le Code canadien de l'électricité.

### Maintenance des machines à double isolation

Dans une machine à double isolation, deux systèmes d'isolation sont prévus à la place de la mise à la terre. Aucune mise à la terre n'est prévue sur une machine à double isolation, et aucune mise à la terre ne doit être ajoutée à la machine. La maintenance d'une machine à double isolation requiert une attention extrême et une connaissance approfondie du système, et ne doit être réalisée que par du personnel de service qualifié. Les pièces de rechange d'une machine à double isolation doivent être identiques aux pièces qu'elles remplacent.

### Remarques générales



Veuillez lire le présent le manuel d'instructions original et les consignes de sécurité jointes avant la première utilisation de l'appareil. Suivez ces instructions.



Conservez les deux manuels pour une utilisation ultérieure ou pour le propriétaire suivant.

## Utilisation conforme

Utilisez cet appareil uniquement suivant les indications dans cette notice d'utilisation.

- Cet appareil est adapté à une utilisation professionnelle, p.ex., dans les hôtels, écoles, hôpitaux, usines, magasins, bureaux et loueurs.
- Utilisez uniquement l'appareil pour nettoyer des surfaces dures insensibles à l'humidité et au polissage.
- N'utilisez l'appareil qu'à une température ambiante comprise entre + 5 °C et + 40 °C.
- L'appareil n'est pas adapté au nettoyage de sols gelés (p. ex. dans les chambres froides).
- N'équipez l'appareil que d'accessoires et de pièces de rechange d'origine.
- Utilisez l'appareil uniquement pour nettoyer des sols intérieurs ou des surfaces couvertes.
- N'utilisez pas l'appareil pour nettoyer des voies de circulation publiques.
- L'appareil ne doit pas être utilisé à l'extérieur.
- N'utilisez pas l'appareil dans un environnement corrosif.
- N'utilisez jamais l'appareil dans des atmosphères potentiellement explosives.
- N'utilisez l'appareil que sur des surfaces présentant la pente maximale spécifiée dans la section « Caractéristiques techniques ».
- Ne branchez à la prise de l'appareil que les accessoires répertoriés dans le chapitre « Accessoires ».

## Consignes de sécurité

Avant la première utilisation de l'appareil, veuillez lire et observer ce manuel d'utilisation et la brochure de consignes de sécurité fournie pour les appareils monobrosse/à disque N° 5.956-659.0 et agissez en conséquence.

### Symboles sur l'appareil



#### Risque de brûlures

Certaines parties de l'appareil deviennent chaudes pendant le fonctionnement.

Ne touchez pas les pièces marquées ainsi avant qu'elles aient refroidi.

### Dispositifs de sécurité

## ⚠ PRÉCAUTION

### Dispositifs de sécurité manquants ou modifiés

Les dispositifs de sécurité servent à vous protéger.

Ne modifiez, ni ne contournez jamais les dispositifs de sécurité.

### Touche de déverrouillage

L'appareil ne peut pas être démarré si la touche de déverrouillage n'est pas enfoncée.

## Protection de l'environnement



Les matériaux d'emballage sont recyclables. Veuillez éliminer les emballages dans le respect de l'environnement.



Les appareils électriques et électroniques contiennent des matériaux précieux recyclables et souvent des composants tels que des piles, batteries ou de l'huile représentant un danger potentiel pour la santé humaine et l'environnement, s'ils ne sont pas manipulés ou éliminés correctement. Ces composants sont cependant nécessaires pour le

fonctionnement correct de l'appareil.  
Les appareils marqués par ce symbole ne doivent pas être jetés dans les ordures ménagères.

### Remarques concernant les matières composantes (REACH)

Les informations actuelles concernant les matières composantes sont disponibles sous : [www.kaercher.com/REACH](http://www.kaercher.com/REACH)

## Accessoires et pièces de rechange

Utiliser exclusivement des accessoires et pièces de rechange originaux. Ceux-ci garantissent le fonctionnement sûr et sans défaut de votre appareil.

Des informations sur les accessoires et pièces de rechange sont disponibles sur le site Internet [www.kaercher.com](http://www.kaercher.com).

### Accessoires

Désignation	Référence
Pad, rouge	6.369-470.0
Pad, vert	6.369-472.0
Pad, noir	6.369-473.0
Pad, bleu	6.369-471.0
Pad, Bonnet, 5 pièces	6 905-098.0
Pad SPP	6.371-344.0
Pad de lustrage, blanc	6.369-469.0
Pad de lustrage, avec poils naturels	6.371-149.0
Pad de lustrage, avec grain léger	6.371-081.0
Pad diamant, vert, 5 pièces	6.371-238.0
Pad diamant, blanc, 5 pièces	6.371-256.0
Pad diamant, jaune, 5 pièces	6.371-257.0
Pad, microfibre	6.371-346.0
Pad, mélamine, 2 pièces	6.371-345.0
Réservoir BDS 43/Orbital C	5.051-992.0

## Étendue de livraison

Lors du déballage, vérifiez que le contenu de la livraison est complet. Si des accessoires manquent ou en cas de dommage dû au transport, veuillez informer votre distributeur.

## Éléments de commande

### Illustration A

- ① Levier de réglage de l'inclinaison
- ② Levier de dosage de la solution de nettoyage
- ③ Interrupteur MARCHE/ARRÊT
- ④ Touche de déverrouillage
- ⑤ Câble secteur avec fiche secteur
- ⑥ Plaque signalétique
- ⑦ Crochet de câble, rotatif
- ⑧ Poignée
- ⑨ Bac à détergent
- ⑩ Poignée
- ⑪ Tête de nettoyage
- ⑫ Interrupteur spray \*
- ⑬ Vis de serrage \*
- ⑭ Buse \*

\* uniquement pour BDS 43/Orbital C Spray

## Montage

### Montage de la tige de poussée

1. Aligner les orifices de la tige de poussée avec ceux de l'appareil.

### Illustration B

- ① Appareil
  - ② Vis
  - ③ Tige de poussée
  - ④ Câble
2. Visser et serrer les 4 vis.
  3. Brancher la fiche dans le raccord.

### Illustration C

- ① Moitié de corps
  - ② Fiche
  - ③ Prise femelle
4. Insérer les deux moitiés du corps l'une dans l'autre afin que la liaison soit protégée contre les projections d'eau.

## Fixation du crochet de câble

Un crochet de câble est fixé à la tige de poussée en haut et en bas.

1. Maintenir les deux moitiés du crochet de câble contre la tige de poussée.

### Illustration D

- ① Crochet de câble
  - ② Tige de poussée
2. Pousser les deux moitiés l'une dans l'autre dans le sens de la flèche.
  3. Insérer la vis dans le crochet de câble.

### Illustration E

- ① Poignée-étoile
  - ② Vis
4. Dévisser la poignée en étoile.
  5. Pousser le crochet de câble à fond vers le bas et l'aligner sur la tige de poussée
  6. Serrer la poignée en étoile.
  7. Fixer le deuxième crochet de câble en haut de la tige de poussée de la même manière.

## Fixation du bac à détergent

1. Détacher la poignée en étoile du crochet de câble supérieur.
2. Visser la chaîne sur le bac à détergent.

### Illustration F

- ① Chaîne
  - ② Bac à détergent
3. Fixer le flexible au raccord de flexible au bas du bac à détergent.

### Illustration G

- ① Flexible
- ② Raccord de flexible

## Remarque

Le crochet de câble inférieur doit être placé le plus bas possible, sinon le dosage de la solution de nettoyage ne fonctionnera pas correctement.

4. Faire glisser le bac à détergent sur le crochet de câble inférieur.

### Illustration H

- ① Bac à détergent
  - ② Crochet de câble inférieur
5. Pousser le crochet du câble supérieur vers le bas jusqu'au bac à détergent. S'assurer que le tourillon sur le réservoir se trouve dans l'évidement du crochet de câble.

### Illustration I

- ① Bac à détergent
  - ② Tourillon
  - ③ Poignée-étoile
  - ④ Évidement
6. Serrer la poignée en étoile sur le crochet de câble supérieur.
  7. Insérer le flexible sur le raccord de flexible situé sur l'appareil.

### Illustration J

- ① Raccord de flexible
  - ② Flexible
8. Guider la chaîne à travers l'ouverture de la poignée et l'accrocher sur le levier de dosage du détergent.

### Illustration K

- ① Levier de dosage du détergent
- ② Chaîne

## Raccorder le système de pulvérisation

Seul le BDS 43/Orbital C Spray est équipé d'un système de pulvérisation.

1. Insérer le flexible du bac à détergent sur l'entrée de la pompe.

### Illustration L

- ① Flexible
  - ② Entrée de la pompe
  - ③ Pompe
2. Insérer la pièce de flexible sur la sortie de la pompe.

### Illustration M

- ① Sortie de la pompe
- ② Pièce de flexible

3. Insérer l'autre extrémité de la pièce de flexible sur le distributeur des buses de pulvérisation.

### Illustration N

- ① Pièce de flexible
- ② Distributeur des buses de pulvérisation

## Mise en service

### Application du pad

1. Sélectionner le pad adapté à la tâche de nettoyage.
2. S'assurer que la fiche secteur est branchée.
3. Faire pivoter la tête de lavage vers le haut en soulevant la poignée.

### Illustration O

- ① Poignée
  - ② Tête de nettoyage
4. Centrer et appuyer le pad sur le plateau d'entraînement.
  5. Pivoter la tête de lavage vers le bas.

### Remplissage du détergent

## ⚠ AVERTISSEMENT

### Détergents non adaptés

Risque pour la santé, endommagement de l'appareil

Utilisez uniquement les détergents recommandés. En cas d'utilisation d'autres détergents, l'utilisateur est responsable du risque élevé envers la sécurité de fonctionnement et le risque d'accident.

Utilisez uniquement des détergents sans solvant, sans acide chlorhydrique ni acide fluorhydrique.

Respectez les consignes de sécurité sur les détergents.

## ATTENTION

### Risque d'endommagement

Une solution de nettoyage à une température supérieure à 50 °C peut endommager l'appareil.

Ne remplissez le bac à détergent de solution de nettoyage qu'à une température maximale de 50 °C.

1. Remplir la solution de nettoyage dans le bac à détergent.

## Utilisation

### Réglage de la poignée

## ⚠ AVERTISSEMENT

### Risque d'accident

Si la poignée est réglée pendant que le moteur tourne, l'appareil peut effectuer des mouvements incontrôlés.

Régler la poignée uniquement lorsque l'appareil est à l'arrêt.

1. Tirer le levier de réglage de l'inclinaison vers le haut et le maintenir.
2. Amener la poignée dans une position confortable (environ à la hauteur de la taille).
3. Relâcher le levier de réglage de l'inclinaison.
4. Déplacer légèrement la poignée de haut en bas jusqu'à ce qu'elle s'enclenche.

### Démarrer l'appareil

## ⚠ AVERTISSEMENT

### Risque de blessures

Sans frottement au sol, le pad peut atteindre des vitesses très élevées. Il peut être projeté et provoquer des blessures.

Ne mettez pas l'appareil sous tension lorsque la tête de lavage est relevée.

**Ne pas dépasser l'impédance secteur maximale admissible au point de raccordement électrique (voir les caractéristiques techniques).**

En cas de doute sur l'impédance secteur présente sur votre point de raccordement, veuillez contacter votre fournisseur d'énergie.

# ATTENTION

## Risque d'endommagement

Si l'appareil est utilisé sur place pendant une longue période, le revêtement de sol peut être endommagé. Déplacez toujours l'appareil lorsqu'il est en marche.

1. Dérouler complètement le câble secteur des porte-câble.
2. Brancher la fiche secteur dans la prise de courant.
3. Tenir la poignée fermement à deux mains.
4. Appuyer et maintenir la touche de déverrouillage.
5. Actionner l'interrupteur MARCHÉ/ARRÊT.
6. Relâcher la touche de déverrouillage.
7. Relâcher l'interrupteur MARCHÉ/ARRÊT pour interrompre l'opération.

## Nettoyer

1. Démarrer l'appareil.
2. Tirer le levier de la solution de nettoyage si le pad doit être alimenté en solution de nettoyage.
3. Guider l'appareil sur la surface à nettoyer.
4. Si la zone choisie est très sale, la parcourir plusieurs fois.
5. Ensuite, aspirer l'eau sale avec un aspirateur à eau ou l'essuyer avec un chiffon.

## Système de pulvérisation

Seul le BDS 43/Orbital C Spray est équipé du système de pulvérisation. Avec ce système, la solution de nettoyage est appliquée à partir de 2 buses devant l'appareil.

1. Régler l'interrupteur de pulvérisation sur « ON ».

## Réglage des buses

1. Desserrer les vis de serrage.
2. Orienter la buse.
3. Serrer la vis de serrage.

## Mise hors service

1. Retirer la fiche secteur de la prise de courant.
2. Tirer le levier de réglage de l'inclinaison vers le haut et le maintenir.
3. Amener la poignée en position verticale.
4. Relâcher le levier de réglage de l'inclinaison.
5. Retirer la solution de nettoyage restante du bac à détergent.
6. Rincer le bac à détergent à l'eau claire.
7. **BDS 43/Orbital C Spray uniquement** : rincer le système de pulvérisation à l'eau claire.
8. Enrouler le câble secteur autour du porte-câble.
9. Faire pivoter la tête de lavage vers le haut en soulevant la poignée.

### Illustration O

- ① Poignée
  - ② Tête de nettoyage
10. Retirer le pad du plateau d'entraînement.
  11. Nettoyer l'appareil avec un chiffon humide.

## Transport

### ⚠ PRÉCAUTION

#### Non-observation du poids

Risque de blessure et d'endommagement

Observer le poids de l'appareil pour le transport.

1. Tirer le levier de réglage de l'inclinaison et positionner la poignée verticalement.
2. Relâcher le levier de réglage de l'inclinaison.

3. Incliner l'appareil vers l'arrière et l'amener jusqu'à la destination.
4. En cas de transport de l'appareil dans des véhicules, le bloquer selon les normes en vigueur pour éviter tout glissement et basculement.

## Stockage

### ⚠ PRÉCAUTION

#### Non-observation du poids

Risque de blessure et d'endommagement

Observez le poids de l'appareil pour le transport et le stockage.

1. Stockez l'appareil uniquement à l'intérieur.
2. Pour protéger le plateau d'entraînement du pad, faire pivoter la tête de lavage vers le haut en soulevant la poignée.

#### Illustration O

- ① Poignée
- ② Tête de nettoyage

## Entretien et maintenance

### ⚠ AVERTISSEMENT

#### Risque de blessures

L'appareil peut démarrer de façon inattendue.

Retirez impérativement la fiche secteur de la prise avant de commencer à travailler sur l'appareil.

1. Laver les pads sales à 60 °C maximum.
2. Nettoyer le boîtier de l'appareil avec un chiffon humide puis l'essuyer pour le sécher.
3. Vérifier que le câble secteur n'est pas endommagé.

## Dépannage en cas de défaut

### ⚠ AVERTISSEMENT

#### Risque de blessures

L'appareil peut démarrer de façon inattendue.

Retirez impérativement la fiche secteur de la prise avant de commencer à travailler sur l'appareil.

Si des dysfonctionnements ne peuvent pas être résolus à l'aide des informations suivantes, veuillez contacter le service client.

#### Résultat de nettoyage insuffisant

- Remplacer le pad sale.
- Remplacer le pad usé.
- Vérifier que le détergent utilisé convient au cas d'utilisation.
- Vérifier l'aptitude du pad utilisé pour le cas d'utilisation.

#### L'appareil vibre fortement

- Vérifier la position centrale du pad sur le plateau d'entraînement.
- Vérifier la fixation du pad.

#### Le pad ne tourne pas

- Vérifier si des objets étrangers bloquent le plateau d'entraînement du pad. Éliminer les éventuels corps étrangers.
- Brancher la fiche secteur dans la prise de courant.

## Uniquement pour BDS 43/Orbital C Spray

#### Le système de pulvérisation ne pulvérise pas ou ne pulvérise pas suffisamment

- Remplir le bac à détergent.
- Nettoyer le filtre dans le bac à détergent.
- Nettoyer la buse.

## Garantie

Les conditions de garantie publiées par notre société commerciale compétente s'appliquent dans chaque pays. Nous remédions gratuitement aux défauts possibles sur votre appareil dans la durée de garantie dans la mesure où la cause du défaut est un vice de matériau ou de fabrication. En cas de garantie, veuillez vous adresser à votre

distributeur ou au point de service après-vente autorisé le plus proche avec la facture d'achat.  
(Voir l'adresse au dos)

## Caractéristiques techniques

**BDS  
43/Or-  
bitalC  
Spray**

### Caractéristiques de puissance de l'appareil

Tension	V	120
Phase	~	1
Fréquence	Hz	60
Impédance secteur maximale admissible	$\Omega$	0.401
Puissance raccordée	W	500
Type de protection		IPX4
Volume du réservoir d'eau propre	gal (l)	3,2 (12)
Inclinaison max. de la zone de travail	%	2

### Pad

Largeur de travail	in (mm)	16,9 (430)
Diamètre du pad	in (mm)	16,9 (430)
Vitesse de rotation du pad	1/min	89

### Conditions ambiantes

Plage de températures autorisée	$^{\circ}\text{F}$ $(^{\circ}\text{C})$	41... 104 (+5... +40)
---------------------------------	--	--------------------------------

### Dimensions et poids

Longueur	in (mm)	27,2 (690)
Largeur	in (mm)	18,1 (460)
Hauteur	in (mm)	50,4 (1280)

**BDS  
43/Or-  
bitalC  
Spray**

Poids	lbs (kg)	128 (58)
-------	-------------	-------------

### Valeurs déterminées selon EN 60335-2-67

Valeur de vibration totale	$\text{m/s}^2$	<2,5
Incertitude K	dB(A)	0,2
Niveau de pression acoustique $L_{pA}$	dB(A)	59
Incertitude $K_{pA}$	dB(A)	2
Niveau de puissance acoustique $L_{WA}$ + incertitude $K_{WA}$	dB(A)	71,5

Sous réserve de modifications techniques.

## Índice de contenidos

INTRUCCIONES DE SEGURIDAD IMPORTANTES.....	24
Avisos generales.....	26
Uso previsto.....	27
Instrucciones de seguridad.....	27
Protección del medioambiente.....	27
Accesorios y recambios.....	28
Alcance de suministro.....	28
Elementos de control.....	28
Montaje.....	28
Puesta en funcionamiento.....	30
Servicio.....	30
Puesta fuera de servicio.....	31
Transporte.....	31
Almacenamiento.....	32
Conservación y mantenimiento.....	32
Ayuda en caso de fallos.....	32
Garantía.....	33
Datos técnicos.....	33

## INTRUCCIONES DE SEGURIDAD IMPORTANTES

### INTRUCCIONES DE SEGURIDAD

#### PRECAUCIÓN

#### LEA TODAS LAS INSTRUCCIONES ANTES DE USAR ESTA MÁQUINA

- Informe a su distribuidor inmediatamente si hay algún daño en el envío.
- Retire completamente los accesorios de la caja.
- Utilice el aparato únicamente en una toma que esté puesta a tierra. Consulte los datos técnicos para conocer el fusible principal necesario.
- Conectar únicamente a una toma que esté puesta a tierra correctamente. Véanse las instrucciones de puesta a tierra.

Al utilizar una máquina eléctrica, es imprescindible seguir precauciones básicas, incluidas las siguientes: Este aparato está destinado a un uso comercial.

1 DESCONECTE EL APARATO DEL CIRCUITO DE ALIMENTACIÓN antes de quitar la cubierta o de realizar

trabajos de mantenimiento y cuando no lo esté utilizando.

- 2 NO DEJE la máquina desatendida cuando esté enchufada.
- 3 REVISE SIEMPRE EL CABLE DE ALIMENTACIÓN antes de cada uso para ver si presenta daños o signos de envejecimiento.
- 4 NO TIRE NI LLEVE EL APARATO POR EL CABLE. No utilice el cable como asa. Mantenga el cable alejado de superficies calientes o del fuego. No cierre la puerta sobre el cable ni tire de él alrededor de bordes afilados.
- 5 MANTENGA EL CABLE ALEJADO DEL CALOR Y DEL ACEITE. No deje el cable tirado después de terminar el trabajo. Puede ser causa de tropiezo.
- 6 NO PASAR LA MÁQUINA SOBRE EL CABLE.
- 7 GIRE EL INTERRUPTOR A LA POSICIÓN OFF antes de desenchufar el cable de alimentación.
- 8 NO LO DESCONECTE TIRANDO DEL CABLE. Para desconectarlo, tire del conector y no del cable.
- 9 NO MANIPULE EL CONECTOR CON LAS MANOS MOJADAS.
- 10 UN CABLE O CONECTOR DAÑADO solo debe ser sustituido por un representante del centro de servicio técnico autorizado. NO INTENTE REPARAR EL CABLE DE ALIMENTACIÓN.
- 11 PARA EVITAR UNA DESCARGA, no lo exponga a la lluvia. Almacénelo en el interior.
- 12 UTILICE ÚNICAMENTE COMO SE RECOMIENDA EN ESTE MANUAL. Utilice únicamente los accesorios recomendados.
- 13 MANTENGA EL PELO, LA ROPA, LAS JOYAS SUELTAS, LOS DE-



DOS y todas las partes del cuerpo alejadas de las aberturas y de las piezas móviles.

- 14 **CONECTE EL APARATO ÚNICAMENTE A UNA TOMA QUE ESTÉ PUESTA A TIERRA CORRECTAMENTE.** Véanse las instrucciones de puesta a tierra.
- 15 **NO PERMITA QUE EL APARATO SE UTILICE COMO UN JUGUETE.** Manténgalo fuera del alcance de los niños.
- 16 **NO LO DEJE SIN SUPERVISIÓN** mientras la máquina está en funcionamiento.
- 17 **NO LO USE SI EL CABLE, EL CONECTOR O LA MÁQUINA NO ESTÁN EN BUENAS CONDICIONES.** Si el aparato se ha caído, dañado, dejado al aire libre o caído al agua, solicite una revisión por parte de un servicio autorizado.
- 18 **UTILICE SIEMPRE PROTECCIÓN PARA LOS OJOS** cuando se utilice la máquina.
- 19 **TENGA MUCHO CUIDADO** cuando trabaje en escaleras.
- 20 **MANTÉNGASE ALERTA.** No use la máquina si está cansado o bajo la influencia de las drogas, el alcohol o medicación.

**GUARDE ESTAS INSTRUCCIONES**  
**Este aparato está destinado a un uso comercial.**

### **INTRUCCIONES DE PUESTA A TIERRA**

- Este aparato debe estar puesto a tierra. En caso de un fallo de funcionamiento o avería, la conexión a tierra proporciona un camino de menor resistencia para que la corriente eléctrica reduzca el peligro de choque eléctrico.
- Este aparato está equipado con un cable que tiene un conductor de

puesta a tierra y un conector de puesta a tierra.

- El conector debe estar insertado en una toma apropiada que esté instalada y puesta a tierra correctamente conforme a todos los códigos y ordenanzas locales.

Para cumplir con el Código Eléctrico Nacional (NFPA 70) y para proporcionar una protección adicional contra el riesgo de descarga eléctrica, este aparato solo debe conectarse a un receptáculo que esté protegido por un interruptor de circuito por pérdida a tierra (GFCI).

#### **ADVERTENCIA:**

- Una conexión incorrecta del conductor de puesta a tierra puede provocar riesgo de descarga eléctrica.
- Consultar con un electricista o técnico de servicio cualificado en caso de dudas acerca la puesta a tierra correcta de la toma.
- No modifique el conector suministrado con el aparato.
- Si no encaja en la toma, pida a un electricista cualificado que le instale una toma adecuada.
- Este aparato es para uso en un circuito nominal de 120 voltios y tiene un conector de puesta a tierra parecido al conector que se ilustra en la Fig. A.
- Si no se dispone de una toma con conexión a tierra, se puede utilizar un adaptador temporal similar al ilustrado en la Fig. B para conectar este conector a un receptáculo de dos polos, como se muestra en la Fig. B.
- El adaptador temporal debe utilizarse solo hasta que un electricista cualificado instale una toma puesta a tierra correctamente (Fig. A).

- La oreja rígida de color verde, la lengüeta o similar que se extiende desde el adaptador debe conectarse a una toma de tierra permanente, como, por ejemplo, la cubierta de una caja de toma correctamente puesta a tierra.
- Siempre que se utilice el adaptador, debe sujetarse con un tornillo metálico.

**EN TODOS LOS CASOS, ASEGÚRESE DE QUE EL RECEPTÁCULO EN CUESTIÓN ESTÉ CORRECTAMENTE PUESTO A TIERRA.**

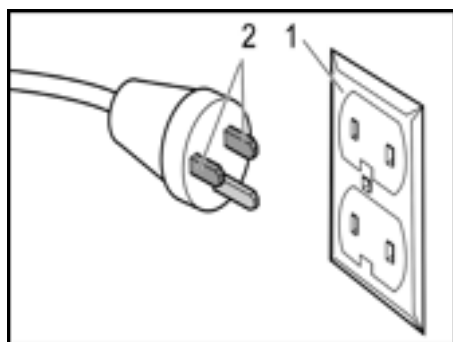
**NUNCA RETIRE LA CLAVIJA DE TIERRA DEL ENCHUFE.**

### **CABLES DE EXTENSIÓN**

Utilice solo cables alargadores de tres hilos que tengan conectores de tres clavijas con toma de tierra y un receptáculo de tres polos que acepte el enchufe del aparato. Sustituya inmediatamente el cable dañado o desgastado.

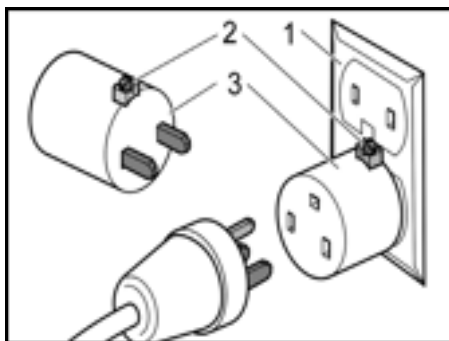
**NO INTENTE REPARAR EL CABLE DE ALIMENTACIÓN.**

Figura A



- ① Caja de distribución puesta a tierra
  - ② Clavijas conductoras de corriente
- La clavija de tierra es la más larga de las 3 clavijas

Figura B



- ① Caja de distribución puesta a tierra
- ② Medio de puesta a tierra
- ③ Adaptador

## **Nota**

En Canadá, el Código Eléctrico Canadiense no permite el uso de un adaptador temporal.

### **Mantenimiento de máquinas con doble aislamiento**

En una máquina con doble aislamiento, se ofrecen dos sistemas de aislamiento en lugar de la puesta a tierra. No se proporciona ningún medio de puesta a tierra en una máquina con doble aislamiento, ni debe añadirse un medio de puesta a tierra a la máquina. El mantenimiento de una máquina con doble aislamiento requiere un cuidado extremo y un conocimiento del sistema, y solo debe realizarlo personal de servicio cualificado. Las piezas de reemplazo de una máquina con doble aislamiento deben ser idénticas a las piezas que sustituyen.

### **Avisos generales**

⚠️ 📖 Antes de poner en marcha por primera vez el equipo, lea este manual de instrucciones y las instrucciones de seguridad adjuntas. Actúe conforme a estos documentos. Conserve estos dos manuales para su uso posterior o para propietarios ulteriores.

## Uso previsto

Use este equipo únicamente de conformidad con las indicaciones de este manual de instrucciones.

- Este equipo es apto para el uso industrial, por ejemplo, en hoteles, escuelas, hospitales, fábricas, tiendas, oficinas y negocios de alquiler.
- Use el equipo exclusivamente para limpiar superficies resistentes que no sean sensibles a la humedad ni al pulido.
- Use el equipo exclusivamente a una temperatura ambiente de entre +5 °C y +40 °C.
- El equipo no es apto para la limpieza de suelos congelados (p. ej., en almacenes frigoríficos).
- Instale en el equipo exclusivamente accesorios y recambios originales.
- Use el equipo exclusivamente para limpiar suelos en interiores o superficies cubiertas.
- No use el equipo para limpiar vías de comunicación públicas.
- El equipo no se debe usar al aire libre.
- No use el equipo en ambientes cerrados.
- No use nunca el equipo en atmósferas potencialmente explosivas.
- Use el dispositivo exclusivamente en superficies que tengan una elevación máxima, la cual se especifica en la sección "Datos técnicos".
- Únicamente se deben conectar al enchufe del equipo los accesorios que se enumeran en el capítulo "Accesorios".

## Instrucciones de seguridad

Antes de usar por primera vez el equipo, lea y tenga en cuenta el presente manual de instrucciones y el folleto adjunto relativo a las instrucciones de seguridad para máquinas monodisco con disco, n.º 5.956-659.0, y respéte las.

## Símbolos en el equipo



### Peligro de quemaduras

Ciertos componentes del equipo se calientan durante el servicio.

Deje enfriar los componentes que tengan estas marcas antes de tocarlos.

## Dispositivos de seguridad



### Dispositivo de seguridad faltantes o modificados

Los dispositivos de seguridad velan por su seguridad.

Nunca modifique ni manipule los dispositivos de seguridad.

## Tecla de desbloqueo

El equipo no se puede arrancar si no se presiona la tecla de desbloqueo.

## Protección del medioambiente



Los materiales del embalaje son reciclables. Elimine los embalajes de forma respetuosa con el medioambiente.



Los equipos eléctricos y electrónicos contienen materiales reciclables y, a menudo, componentes, como baterías, acumuladores o aceite, que suponen un riesgo potencial para la salud de las personas o el medioambiente en caso de manipularse o eliminarse de forma inadecuada. Sin embargo, dichos componentes son necesarios para un servicio adecuado del equipo. Los equipos identificados con este símbolo no pueden eliminarse con la basura doméstica.

### Avisos sobre sustancias contenidas (REACH)

Encontrará información actual sobre las sustancias contenidas en:

[www.kaercher.com/REACH](http://www.kaercher.com/REACH)

## Accesorios y recambios

Utilice únicamente accesorios y recambios originales, estos garantizan un servicio seguro y fiable del equipo. Encontrará información sobre los accesorios y recambios en [www.kaercher.com](http://www.kaercher.com).

### Accesorios

Denominación	N.º de pedido
Cepillo de esponja, rojo	6.369-470.0
Cepillo de esponja, verde	6.369-472.0
Cepillo de esponja, negro	6.369-473.0
Cepillo de esponja, azul	6.369-471.0
Cepillo de esponja, bonete, 5 unidades	6.905-098.0
Cepillo de esponja SPP	6.371-344.0
Cepillo de esponja para pulido, blanco	6.369-469.0
Cepillo de esponja para pulido, con cerdas naturales	6.371-149.0
Cepillo de esponja para pulido, con granulación pequeña	6.371-081.0
Cepillo de esponja de diamante, verde, 5 unidades	6.371-238.0
Cepillo de esponja de diamante, blanco, 5 unidades	6.371-256.0
Cepillo de esponja de diamante, amarillo, 5 unidades	6.371-257.0
Cepillo de esponja, microfibra	6.371-346.0
Cepillo de esponja, melamina, 2 unidades	6.371-345.0
Depósito BDS 43/Orbital C	5.051-992.0

### Alcance de suministro

Compruebe la integridad del alcance de suministro durante el desembalaje. Póngase en contacto con su distribuidor si faltan accesorios o en caso de daños de transporte.

## Elementos de control

### Figura A

- ① Palanca para el ajuste de inclinación
- ② Palanca de dosificación de solución de limpieza
- ③ Interruptor ON/OFF
- ④ Tecla de desbloqueo
- ⑤ Cable de red con conector de red
- ⑥ Placa de características
- ⑦ Gancho para cables, giratorio
- ⑧ Asa
- ⑨ Depósito de detergente
- ⑩ Asa
- ⑪ Cabezal de limpieza
- ⑫ Interruptor para spray \*
- ⑬ Tornillo de sujeción \*
- ⑭ Boquilla \*

\* solo con BDS 43/Orbital C Spray

### Montaje

#### Montaje de la varilla de empuje

1. Alinee los agujeros de la varilla de empuje con los agujeros del equipo.

#### Figura B

- ① Equipo
  - ② Tornillo
  - ③ Varilla de empuje
  - ④ Cable
2. Enroscar y apretar los 4 tornillos.
  3. Introduzca el conector en el acoplamiento.

#### Figura C

- ① Mitad de la carcasa
  - ② Conector
  - ③ Clavija
4. Enclavije las dos mitades de la carcasa para que la conexión esté protegida contra salpicaduras de agua.

#### Colocación del gancho para cables

Fije una mitad del gancho para cables por encima de la varilla de empuje y otra por debajo.

1. Sujete ambas mitades del gancho para cables en la varilla de empuje.

#### **Figura D**

- ① Gancho para cables
  - ② Varilla de empuje
2. Deslice ambas mitades en la dirección de la flecha para unir las.
  3. Inserte el tornillo a través del gancho para cables.

#### **Figura E**

- ① Empuñadura en estrella
  - ② Tornillo
4. Desenrosque la empuñadura de estrella.
  5. Empuje el gancho para cables completamente hacia abajo y alinéelo con la varilla de empuje
  6. Apriete la empuñadura en estrella.
  7. Fije de la misma manera el segundo gancho para cables en la parte superior de la varilla de empuje.

#### **Colocación del depósito de detergente**

1. Aflojar la empuñadura en estrella del gancho para cables superior.
2. Atornillar la cadena en el depósito de detergente.

#### **Figura F**

- ① Cadena
  - ② Depósito de detergente
3. Conectar la manguera al inyector para mangueras situado en la parte inferior del depósito de detergente.

#### **Figura G**

- ① Manguera
- ② Inyector para mangueras

## **Nota**

El gancho para cables inferior debe colocarse lo más abajo posible; de lo contrario, la dosificación de la solución de limpieza no funcionará correctamente.

4. Deslizar el depósito de detergente por el gancho para cables inferior.

#### **Figura H**

- ① Depósito de detergente
  - ② Gancho para cables inferior
5. Deslizar el gancho para cables superior hacia abajo, hacia el depósito de detergente. Asegurarse de que el pivote del depósito encaje en la ranura del gancho para cables.

#### **Figura I**

- ① Depósito de detergente
  - ② Pivote
  - ③ Empuñadura en estrella
  - ④ Ranura
6. Apretar la empuñadura en estrella del gancho para cables superior.
  7. Conectar la manguera al inyector para mangueras del equipo.

#### **Figura J**

- ① Inyector para mangueras
  - ② Manguera
8. Pasar la cadena por la abertura del asa y colgarla en la palanca de dosificación de detergente.

#### **Figura K**

- ① Palanca de dosificación de detergente
- ② Cadena

#### **Conexión del sistema de pulverización**

Solo BDS 43/Orbital C Spray está equipado con un sistema de pulverización.

1. Inserte la manguera del depósito de detergente en la entrada de la bomba.

#### **Figura L**

- ① Manguera
  - ② Entrada de la bomba
  - ③ Bomba
2. Inserte la sección de la manguera en la salida de la bomba.

#### **Figura M**

- ① Salida de la bomba
  - ② Pieza de manguera
3. Inserte el otro extremo de la sección de la manguera en la boquilla de pulverización del distribuidor.

#### Figura N

- ① Pieza de manguera
- ② Boquilla de pulverización del distribuidor

### Puesta en funcionamiento

#### Colocación del cepillo de esponja

1. Seleccionar el cepillo de esponja adecuado para la tarea de limpieza.
2. Asegurarse de que el conector de red está desconectado.
3. Girar el cabezal de limpieza hacia arriba levantándolo por el asa.

#### Figura O

- ① Asa
  - ② Cabezal de limpieza
4. Centrar el cepillo de esponja en el plato impulsor y presionarlo.
  5. Girar hacia abajo el cabezal de limpieza.

#### Llenado del detergente

### ⚠ ADVERTENCIA

#### Detergentes inadecuados

Peligro para la salud, daños en el equipo

Utilice únicamente detergentes recomendados. Si se utilizan otros detergentes, el operador asume un elevado riesgo en cuanto a la seguridad operacional y de accidentes.

Utilice únicamente detergentes que no contengan disolventes, ácido fluorhídrico ni ácido clorhídrico.

Tenga en cuenta las instrucciones de seguridad del detergente.

## CUIDADO

### Peligro de daños

Una solución de limpieza con una temperatura superior a 50 °C puede dañar el equipo.

Llene el depósito de detergente exclusivamente con una solución de limpieza que tenga una temperatura máxima de 50 °C.

1. Llene el depósito de detergente con la solución de limpieza.

### Servicio

#### Ajuste del asa

### ⚠ ADVERTENCIA

#### Peligro de accidentes

Si el asa se reajusta con el motor en funcionamiento, el equipo puede realizar movimientos incontrolados.

Ajuste el asa solo cuando el equipo esté desconectado.

1. Tire hacia arriba de la palanca para el ajuste de inclinación y manténgala allí.
2. Coloque el asa en una posición cómoda (aproximadamente a la altura de la cintura).
3. Suelte la palanca para el ajuste de inclinación.
4. Mueva ligeramente el asa hacia arriba y hacia abajo hasta que encaje en su lugar.

#### Conexión del equipo

### ⚠ ADVERTENCIA

#### Peligro de lesiones

Si el rozamiento sobre el suelo es inexistente, el cepillo de esponja puede alcanzar velocidades muy altas.

Puede salir despedido y causar lesiones.

No encienda el equipo cuando el cabezal de limpieza esté levantado.

## No puede superarse la impedancia de red máxima admisible en el punto de conexión eléctrico (véanse los datos técnicos).

En caso de dudas sobre la impedancia de red presente en su punto de conexión, póngase en contacto con su empresa de abastecimiento eléctrico.

# CUIDADO

## Peligro de daños

Si el equipo se pone en servicio en el mismo sitio durante mucho tiempo, el recubrimiento del suelo puede sufrir daños.

Mueva siempre el equipo cuando esté encendido.

1. Desenrolle el cable de alimentación por completo de los portacables.
2. Conecte el conector de red en un enchufe.
3. Sujete el asa con ambas manos.
4. Pulse y mantenga pulsada la tecla de desbloqueo.
5. Accione el interruptor ON/OFF.
6. Suelte la tecla de desbloqueo.
7. Suelte el interruptor ON/OFF para interrumpir el servicio.

## Limpeza

1. Conectar el equipo.
2. Tire de la palanca para la solución de limpieza cuando se deba suministrar solución de limpieza al cepillo de esponja.
3. Pase el equipo por la superficie a limpiar.
4. Páselo varias veces por las zonas que estén más contaminadas.
5. A continuación, absorba el agua sucia con una aspiradora de suciedad líquida o límpiela con un paño.

## Sistema de pulverización

Solo BDS 43/Orbital C Spray está equipado con el sistema de pulverización. Con este sistema, la solución de

limpieza se aplica delante del equipo a través de 2 boquillas.

1. Ajuste el interruptor de pulverización en "ON".

## Ajuste de las boquillas

1. Afloje el tornillo de sujeción.
2. Alinee la boquilla.
3. Apriete el tornillo de sujeción.

## Puesta fuera de servicio

1. Desenchufar el conector de red del enchufe.
2. Tirar hacia arriba de la palanca para el ajuste de inclinación y mantenerla allí.
3. Colocar el asa en una posición vertical.
4. Soltar la palanca para el ajuste de inclinación.
5. Retirar la solución de limpieza restante del depósito de detergente.
6. Enjuagar el depósito de detergente con agua limpia.
7. **Solo para BDS 43/Orbital C Spray:** enjuagar el sistema de pulverización con agua limpia.
8. Enrollar el cable de red alrededor del portacables.
9. Girar el cabezal de limpieza hacia arriba levantándolo por el asa.

## Figura O

- ① Asa
- ② Cabezal de limpieza
10. Retirar el cepillo de esponja del plato impulsor.
11. Limpiar el equipo con un paño húmedo.

## Transporte

# ⚠ PRECAUCIÓN

## Inobservancia del peso

Peligro de lesiones y daños

Tenga en cuenta el peso del equipo durante el transporte.

1. Tire de la palanca para el ajuste de inclinación y coloque el asa en vertical.
2. Suelte la palanca para el ajuste de inclinación.
3. Incline el equipo hacia atrás y llévelo hasta el lugar de destino.
4. Al transportar el equipo en vehículos, asegúrelo conforme a las correspondientes directivas vigentes para que resbale y se vuelque.

## Almacenamiento

### ⚠️ PRECAUCIÓN

#### Incumplimiento del peso

Peligro de daños y lesiones

Tenga en cuenta el peso del equipo para su transporte y almacenamiento.

1. Almacenar el equipo solamente en interiores.
2. Para proteger el plato impulsor del cepillo de esponja, girar el cabezal de limpieza hacia arriba levantándolo por el asa.

#### Figura 0

- ① Asa
- ② Cabezal de limpieza

## Conservación y mantenimiento

### ⚠️ ADVERTENCIA

#### Peligro de lesiones

El equipo puede arrancar inesperadamente.

Asegúrese de desconectar el conector de red del enchufe antes de realizar trabajos en el equipo.

1. Lave los cepillos de esponja sucios a un máximo de 60 °C.
2. Limpie la carcasa del equipo con un paño húmedo y séquela a continuación.
3. Compruebe si el cable de red presenta daños.

## Ayuda en caso de fallos

### ⚠️ ADVERTENCIA

#### Peligro de lesiones

El equipo puede arrancar inesperadamente.

Asegúrese de desconectar el conector de red del enchufe antes de realizar trabajos en el equipo.

En caso de fallos que no puedan solucionarse utilizando la siguiente información, póngase en contacto con el servicio de postventa.

#### Resultados de limpieza insuficientes

- Sustituya el cepillo de esponja sucio.
- Cambie el cepillo de esponja desgastado.
- Compruebe que el detergente utilizado es apropiado para la aplicación.
- Compruebe que el cepillo de esponja utilizado es apropiado para la aplicación.

#### El dispositivo vibra mucho

- Compruebe que el cepillo de esponja está centrado en el plato impulsor.
- Compruebe la fijación del cepillo de esponja.

#### El cepillo de esponja no gira

- Compruebe si el plato impulsor del cepillo de esponja está bloqueado por objetos extraños. Retire los cuerpos extraños cuando sea necesario.
- Conecte el conector de red a un enchufe.

#### Solo con BDS 43/Orbital C Spray

#### El sistema de pulverización no rocía o no rocía lo suficiente

- Rellene el depósito de detergente.
- Limpie el filtro del depósito de detergente.
- Limpie la boquilla.



## Garantía

En cada país se aplican las condiciones de garantía indicadas por nuestra compañía distribuidora autorizada.

Subsanamos cualquier fallo en su equipo de forma gratuita dentro del plazo de garantía siempre que la causa se deba a un fallo de fabricación o material. En caso de garantía, póngase en contacto con su distribuidor o con el servicio de postventa autorizado más próximo presentando la factura de compra.

(Dirección en el reverso)

## Datos técnicos

		<b>BDS 43/Or- bitalC Spray</b>
<b>Datos de potencia del equipo</b>		
Tensión	V	120
Fase	~	1
Frecuencia	Hz	60
Impedancia de red máx. admisible	$\Omega$	0.401
Potencia conectada	W	500
Tipo de protección		IPX4
Volumen del depósito de agua limpia	gal (l)	3,2 (12)
Pendiente máx. de la zona de trabajo	%	2
<b>Cepillo de esponja</b>		
Ancho útil	in (mm)	16,9 (430)
Diámetro del cepillo de esponja	in (mm)	16,9 (430)
Velocidad del cepillo de esponja	1/min	89
<b>Condiciones ambientales</b>		
Rango de temperaturas admisibles	$^{\circ}$ F ( $^{\circ}$ C)	41... 104 (+5... +40)

**BDS  
43/Or-  
bitalC  
Spray**

## Peso y dimensiones

Longitud	in (mm)	27,2 (690)
Anchura	in (mm)	18,1 (460)
Altura	in (mm)	50,4 (1280)
Peso	lbs (kg)	128 (58)

## Valores calculados conforme a EN 60335-2-67

Nivel de vibraciones to- tal	$m/s^2$	<2,5
Inseguridad K	dB(A)	0,2
Nivel de presión acústi- ca $L_{pA}$	dB(A)	59
Inseguridad $K_{pA}$	dB(A)	2
Intensidad acústica $L_{WA}$ + Inseguridad $K_{WA}$	dB(A)	71,5

Reservado el derecho a realizar modificaciones.







**THANK YOU!**  
**MERCI! DANKE! ¡GRACIAS!**



Registrieren Sie Ihr Produkt und profitieren Sie von vielen Vorteilen.

Register your product and benefit from many advantages.

Enregistrez votre produit et bénéficiez de nombreux avantages.

Registre su producto y aproveche de muchas ventajas.

**[www.kaercher.com/welcome](http://www.kaercher.com/welcome)**



Bewerten Sie Ihr Produkt und sagen Sie uns Ihre Meinung.

Rate your product and tell us your opinion.

Évaluer votre produit et dites-nous votre opinion.

Reseñe su producto y díganos su opinión.



**[www.kaercher.com/dealersearch](http://www.kaercher.com/dealersearch)**

**Alfred Kärcher SE & Co. KG**  
Alfred-Kärcher-Str. 28-40  
71364 Winnenden (Germany)  
Tel.: +49 7195 14-0  
Fax: +49 7195 14-2212

