

# KÄRCHER

makes a difference

**BD 38/12 C Bp**

English	3
Français	19
Español	36



**Register  
your product**  
[www.kaercher.com/welcome](http://www.kaercher.com/welcome)



59655280 05/21



## **IMPORTANT SAFETY INSTRUCTIONS**

### **READ ALL INSTRUCTIONS BEFORE USING.**

#### **WARNING**

To reduce the risk of fire, electric shock, or injury:

- DO NOT LEAVE appliance unattended when plugged in. Unplug from outlet when not in use and before servicing.

#### **WARNING**

- TO REDUCE THE RISK OF ELECTRIC SHOCK-USE INDOORS ONLY
- Do not allow to be used as a toy. Close attention is necessary when used near children.
- Use only as described in this manual. Use only manufacturer's recommended attachments.
- Do not use with damaged cord or plug. If appliance is not working as it should, has been dropped, damaged, left outdoors, or dropped into water, return it to a service center.
- Do not pull or carry by cord, use cord as a handle, close a door on cord, or pull cord around sharp edges or corners. Do not run the unit over cord. Keep cord away from heated surfaces.
- Do not unplug by pulling on cord. To unplug, grasp the plug, not the cord.
- Do not handle plug or appliance with wet hands.
- Do not put any object into openings. Do not use with any opening blocked; keep free of dust, lint, hair,

and anything that may reduce air flow.

- Keep hair, loose clothing, fingers, and all parts of body away from openings and moving parts.
- Turn off all controls before unplugging.
- Use extra care when cleaning on stairs.
- Do not use to pick up flammable or combustible liquids, such as gasoline, or use in areas where they may be present.
- Connect to a properly grounded outlet only. See Grounding Instructions.

### **SAVE THESE INSTRUCTIONS**

#### **GROUNDING INSTRUCTIONS**

This appliance must be grounded. If it should malfunction or break down, grounding provides a path of least resistance for electric current to reduce the risk of electric shock.

The plug must be inserted into an appropriate outlet that is properly installed and grounded in accordance with all local codes and ordinances.

#### **WARNING**

Improper connection of the equipment-grounding conductor can result in a risk of electric shock.

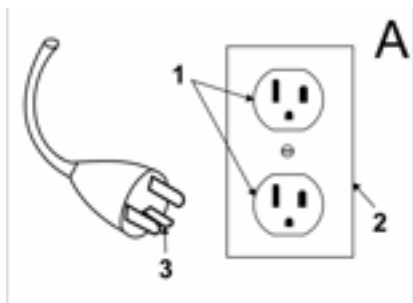
Check with a qualified electrician or service person if you are in doubt as to whether the outlet is properly grounded.

Do not modify the plug provided with the appliance.

If it will not fit the outlet, have a proper outlet installed by a qualified electrician.

This appliance is for use on a nominal 120-volt circuit and has a grounding attachment plug that looks like the plug illustrated in sketchpicture A. Make sure that the appliance is connected to an outlet having the same configuration as the plug. No adaptor should be used with this appliance.

### CONNECT TO A PROPERLY GROUNDED OUTLET ONLY



- 1 Grounded outlet
- 2 Grounded outlet box
- 3 Grounded pin

## OPERATING SAFETY RULES AND PRACTICES

### Operator Responsibility

Save operation is in the responsibility of the operator.

The operator shall be familiar with the operation and function of all controls and instruments before undertaking to operate the unit.

Before operating the unit, operators shall have read and be familiar with the operator's manual for the particular unit being operated and they shall also abide by the safety rules and practices in the following paragraphs.

Before operating any unit, the operator shall be familiar with unusual operating conditions which may require additional safety precautions or special operating instructions.

### General

Before starting to operate the unit be in operating position.

Do not start or operate the unit, any of its functions or attachments, from any place other than from the designated operators position.

Before leaving the operator's position:

- A bring the unit to a complete stop;
- B if the unit must be on an incline, block the wheels.

Maintain a safe distance from the edge of ramps, platforms, and other similar working surfaces.

Do not add to, or modify the unit.

Do not block access to fire aisles, stairways or fire equipment.

### Travelling

Yield the right of way to pedestrians and emergency vehicles such as ambulances and fire trucks.

Cross railroad tracks at an angle whenever possible. Do not park closer than 6 ft (1800 mm) to the nearest rail of a railroad track.

Keep a clear view of the path of travel and observe for other traffic, personnel, and safe clearances.

Under all travel conditions, operate the unit at a speed that will permit it to be brought to a stop in a safe manner.

Do not indulge in stunt driving or horseplay.

Slow down for wet and slippery floors.

Before driving over a dockboard or bridge plate, be sure that it is properly secured. Drive carefully and slowly across the dockboard or bridge plate, and never exceed its rated capacity.

When negotiating turns, reduce speed to a safe level consistent with the operating environment. Make the turns smoothly.

## Operator care of the unit

If the unit is found to be in need of repair or in any way unsafe, or contributes to an unsafe condition, the matter shall be reported immediately to the user's designated authority, and the unit shall not be operated until it has been restored to safe operating condition.

If during operation the unit becomes unsafe in any way, the matter shall be reported immediately to the user's designated authority, and the unit shall not be operated until it has been restored to safe operating condition.

Do not make repairs or adjustments unless specifically authorized to do so.

## MAINTENANCE AND RE-BUILD PRACTICES

Operation of the unit may be hazardous if maintenance is neglected or repairs, rebuilds, or adjustments are not performed in accordance with the manufacturer's design criteria. Therefore, maintenance facilities (on or off premises), trained personnel, and detailed procedures shall be provided.

Maintenance and inspection of the unit shall be performed in conformance with the following practices:

- A a schedules planned maintenance, lubrication, and inspection system shall be followed; consult the manufacturer's recommendations.
- B only trained and authorized personnel shall be permitted to maintain, repair, adjust, and inspect the unit, and in accordance with manufacturer's specifications.

Avoid fire hazards and have fire protection equipment present in the work area. Do not use open pans of fuel or flammable cleaning fluids for cleaning parts.

## FIRE SAFETY STANDARD

Any unit not in safe operating condition shall be removed from service.

Repairs shall not be made in Class I, Class II, and Class III locations.

Fire Prevention: The unit shall be kept in a clean condition and reasonably free of lint, excess oil, and grease.

Noncombustible agents are preferred for cleaning the unit. Flammable liquids [those having flash points at or above 100°F (37,8°C)] are not allowed. Precautions regarding toxicity, ventilation, and fire hazard shall be appropriate for the agent or solvent used.

Nameplate Visibility: The unit type designations as shown on the nameplate and the type markers shall not be covered over with paint so that their identification information is obscured.

The unit shall not be used in classified areas.



Please read and comply with these original instructions prior to the initial operation of your appliance and store them for later use or subsequent owners.

## Contents

Safety instructions . . . . .	EN . . . 4
Function . . . . .	EN . . . 5
Proper use . . . . .	EN . . . 5
Environmental protection . . . . .	EN . . . 5
Operating elements . . . . .	EN . . . 6
Before Startup . . . . .	EN . . . 7
Operation . . . . .	EN . . . 7
Transport . . . . .	EN . . . 9
Shutting down . . . . .	EN . . . 9
Storage . . . . .	EN . . 10
Care and maintenance . . . . .	EN . . 10
Disposal . . . . .	EN . . 12
Faults . . . . .	EN . . 13
Accessories . . . . .	EN . . 14
Technical specifications . . . . .	EN . . 15
Warranty . . . . .	EN . . 16
Accessories and Spare Parts . . . . .	EN . . 16

## Safety instructions

Before using the appliance for the first time, read and observe these operating instructions and the accompanying brochure: Safety information for brush cleaning units, 5.956-251.0.

### **⚠ WARNING**

Do not use the appliance on inclines. **The appliance may only be operated when the container and all lids are closed.**

### Hazard levels

#### **⚠ DANGER**

Pointer to immediate danger, which leads to severe injuries or death.

#### **⚠ WARNING**

Pointer to a possibly dangerous situation, which can lead to severe injuries or death.

#### **⚠ CAUTION**

Pointer to a possibly dangerous situation, which can lead to minor injuries.

#### **ATTENTION**

Pointer to a possibly dangerous situation, which can lead to property damage.

### Information on battery (accumulator) and charger

Lithium-ion batteries are installed in the appliance. These are subject to special criteria. The removal and the installation as well as the examination of defective batteries may only be performed by the Kärcher aftersales service or a specialist.

Information on storage and transport can be obtained from your Kärcher aftersales service.

#### **⚠ DANGER**

- Alterations and modifications on the appliance are prohibited.
- **Do not open the battery**, as there is a risk of an electrical shock; also, irritating or caustic vapors can escape.
- **Do not expose the battery to direct sunlight, heat or fire**, there is a risk of explosion.
- Do not operate the charger in explosive environment.
- Do not use the charger if dirty or wet.
- Ensure sufficient ventilation during the charging process.
- Do not work with open flames, generate sparks or smoke in the vicinity of a battery or a battery charging room. Danger of explosion.

## **⚠ WARNING**

- Check the appliance and the power cable for damage prior to every use. Do not use damaged appliances and have damaged parts repaired by specialists only.
- Keep children away from batteries and charger.
- Do not charge damaged batteries. Have damaged batteries replaced by the Kärcher aftersales service.
- Do not discard defective batteries in the domestic waste, inform Kärcher aftersales service.
- Avoid contact with liquids oozing out of defective battery packs. Rinse thoroughly if you accidentally come in contact with the fluid. Also consult a doctor if the fluid comes in contact with your eyes.

## **⚠ CAUTION**

- These operating instructions must be observed unconditionally. Observe recommendations of the lawmaker for handling batteries.
- The mains voltage must correspond with the voltage indicated on the type plate of the appliance.
- Use the charger only to charge approved battery packs.
- The accumulator may only be operated with this appliance. It is dangerous and prohibited to use it for other purposes.

## **Safety installations**

If the safety switch is released, the brush drive shuts off.

## **Function**

The scrubbing vacuum cleaner is used for the wet cleaning of level floors. It can be easily adjusted to the cleaning task by setting the water quantity. A working width of 380 mm and a capacity of 12 l in the fresh and wastewater tank each enable effective cleaning with long action times. The battery can be charged on a 230V power outlet by means of the integrated charger.

## **Proper use**

Use this appliance only as directed in these operating instructions.

- The appliance should only be used for cleaning level floors that are not affected by moisture.
- This appliance is intended for inside use.
- The appliance is not suited for the cleaning of frozen grounds (e.g. in cold stores).
- The appliance may only be equipped with original accessories and spare parts.

## **Environmental protection**



The packaging material can be recycled. Please do not place the packaging into the ordinary refuse for disposal, but arrange for the proper recycling.



Old appliances contain valuable materials that can be recycled.

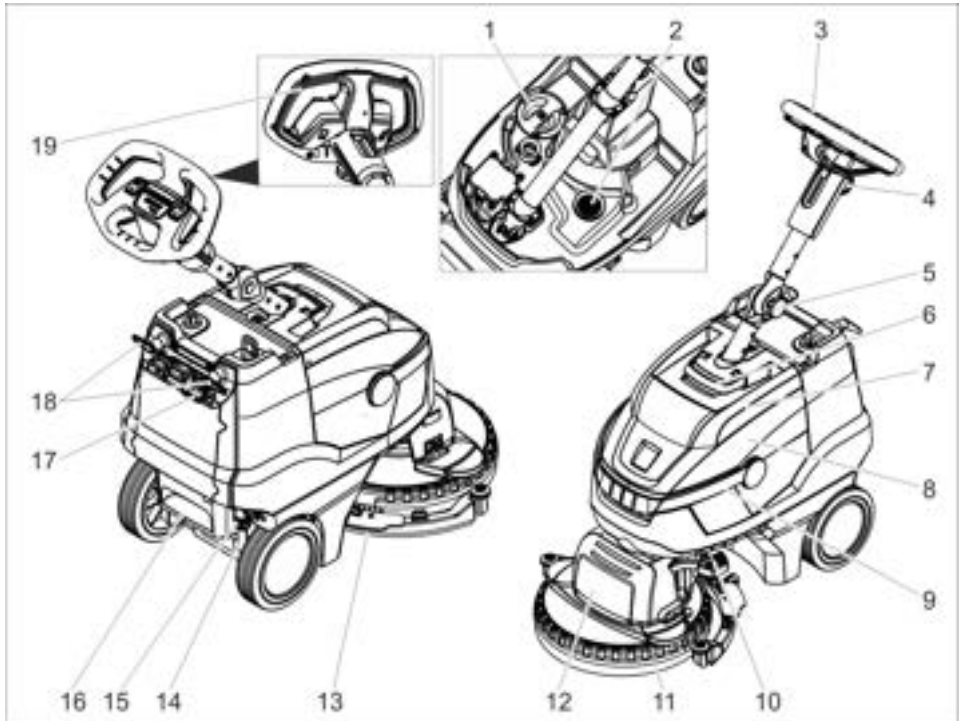
Please arrange for the proper recycling of old appliances. Please dispose your old appliances using appropriate collection systems.

## **Notes about the ingredients (REACH)**

You will find current information about the ingredients at:

**[www.kaercher.com/REACH](http://www.kaercher.com/REACH)**

## Operating elements

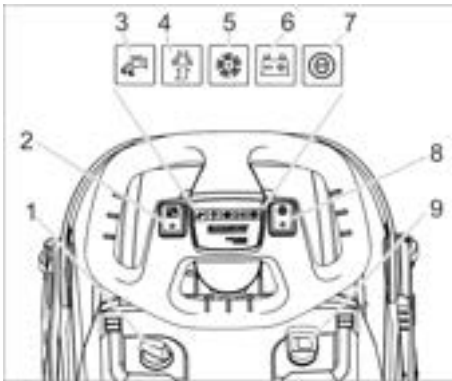


- |                                                 |                                          |
|-------------------------------------------------|------------------------------------------|
| 1 Fresh water tank cover                        | 15 Coupling for draining the fresh water |
| 2 Fluff filter                                  | 16 Step depression                       |
| 3 Push handle                                   | 17 Battery charging display              |
| 4 Star knob, height adjustment of the push rod  | 18 Cable hook, rotating                  |
| 5 Star knob, transport position of the push rod | 19 Safety button                         |
| 6 Unlocking device, cover waste water tank      |                                          |
| 7 Cover dirt water reservoir                    |                                          |
| 8 waste water tank                              |                                          |
| 9 Carrying handle for waste water tank          |                                          |
| 10 Vacuum bar lift pedal                        |                                          |
| 11 Splash guard                                 |                                          |
| 12 Cleaning head                                |                                          |
| 13 Vacuum bar                                   |                                          |
| 14 Fresh water level display                    |                                          |

### Colour coding

- The operating elements for the cleaning process are yellow.
- The controls for the maintenance and service are light gray.





- 1 Dosage cleaning solution
- 2 Switch for detergent solution
- 3 Control lamp to apply detergent solution
- 4 Indicator lamp vacuuming  
Green: Suction turbine in operation  
Orange, flashing: Suction turbine overloaded
- 5 Indicator lamp brush drive  
Green: Brush is rotating  
Orange, flashing: Brush overloaded
- 6 Battery status display  
Green Battery charged  
Orange: Battery almost empty  
Red Appliance switches off: Load battery
- 7 Indicator lamp Eco mode
- 8 Switch Eco mode
- 9 Power switch

## Before Startup

### Charging battery

#### Note:

The device is equipped with a safety mechanism to prevent total discharge, i.e. when the permissible minimum capacity is reached, the machine will be shut off.

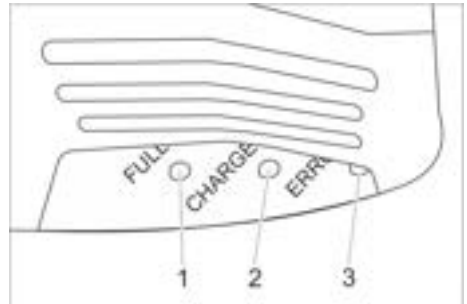
The charging process takes approx. 3 hours.

The charger automatically switches off the charging process.

If necessary, the appliance can be used again before the battery has been fully charged.

→ Insert the mains plug into the socket.

### Battery charging display



- 1 Battery is charged (green)
- 2 Battery is being charged (yellow, flashing)
- 3 Malfunction (red)

## Operation

- Release the star knob for the transport position.
- Adjust the push rod to the desired height.
- Tighten the star handle.
- Install the disc brush (see "Maintenance and Servicing")

### Filling in detergents

#### ATTENTION

Risk of damage. Only use the recommended detergents. With other detergents, the operator bears the increased risk regarding the operational safety, risk of accident and reduced service life of the appliance. Only use detergents that are free of solvents, hydrochloric acid and hydrofluoric acid. Follow the safety instructions for using detergents.

**Note:**

Do not use highly foaming detergents. Observe the dosing notes.

- Swivel up the carrying handle of the waste water tank.
- Lift out the waste water tank and put it aside.
- Remove the lid from the fresh water reservoir.
- Fill in fresh water (maximum 50 °C).
- Add detergent. Follow dosing instructions for detergent.

Recommended detergents:

Application	Detergent
Regular cleaning (even for floors sensitive to alkalis)	RM 745 RM 746
Cleaning dirt from grease	RM 69 ES ASF RM 69 ASF
Basic cleaning (stripping) of alkali-resistant hard coatings	RM 752
Basic cleaning (stripping) linoleum	RM 754
Base cleaner, acidic	RM 751
Disinfection cleaning	RM 732

Detergents are available in specialised stores.

- Close the cover of the fresh water reservoir.
- Place the waste water tank on the appliance.

### Settings

- Release the star knob for the height adjustment of the push rod.
- Adjust the push handle to the desired height.
- Tighten the star handle.
- Adjust the dosing of the cleaning solution in accordance with the soiling and the type of the flooring material.

- Bring the Eco mode switch into the desired position.

Normal operation: The appliance works at the maximum brush speed and the highest suction performance.

Eco: The appliance works at reduced brush speed and suction performance. This also reduces the energy consumption. The possible action time with one charging cycle increases.

### Cleaning

#### ATTENTION

Risk of damage to the floor covering. Do not operate the appliance on the spot.

Risk of damage. Lift the vacuum bar before pulling the appliance backwards over a longer distance.

- Set the appliance switch to "I".
- Switch on "Detergent" button.
- Push the pedal of the suction bar lifting device simultaneously down and to the left and allow it to go up in order to lower the suction bar.
- Pull the safety switch towards the push handle, the brush drive and the application of the cleaning solution are switched on (if preset).
- Move the appliance over the surface to be cleaned.

### Shutting Down the Appliance

- Release the safety switch.
- Drive the appliance forward for another 1-2 m to draw off residual water.
- Push down the pedal of the vacuum bar lifting device to raise the vacuum bar.
- Set the appliance switch to "0".

## Emptying the waste Water tank

### ⚠ **WARNING**

Please observe the local provisions regarding the wastewater treatment.

- Swivel the handle of the waste water tank up and let it snap into place.
- Remove the waste water tank.

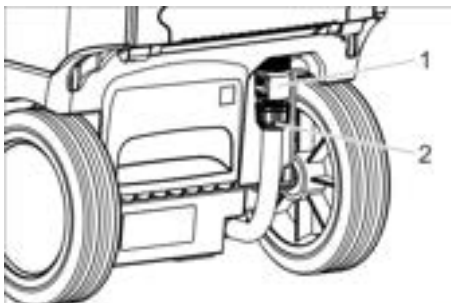


- Remove the cover of the waste water tank.
- Empty the waste water tank. Swivel the waste water tank sideways during emptying so that the tank is completely drained.
- Rinse the waste water tank with clear water.
- Reattach the waste water tank to the appliance.

## Emptying the Fresh Water Tank

### ⚠ **WARNING**

Please observe the local provisions regarding the wastewater treatment.



- 1 Coupling for draining the fresh water
- 2 Fresh water level display

- Slide the coupling down.
- Remove the hose of the level indicator and swivel it downwards.

## Frost protection

In case of danger of frost:

- Empty the fresh and waste water tank.
- Briefly take the device with the empty fresh water tank into operation so that the water system in the device is also emptied.
- Store the appliance in a frost-protected room.

## Folding down the push rod

To reduce the space requirements for transport and storage, the push rod can be folded down.

- Release the star knob for the transport position.
- Swivel the push rod all the way to the front.
- Tighten the star handle.

## Transport

### ⚠ **CAUTION**

Risk of personal injury or damage! Mind the weight of the appliance during transport.

- When transporting in vehicles, secure the appliance according to the guidelines from slipping and tipping over.

## Shutting down

- Completely charge the battery prior to longer operational breaks extending over several weeks.
- Set the appliance switch to "0".

### **ATTENTION**

*Risk of damage to the battery due to total discharge.*

*Always switch the power switch to "0" during operational breaks.*

## Storage

### ⚠ CAUTION

*Risk of personal injury or damage!  
Consider the weight of the appliance  
when storing it.*

This appliance must only be stored in interior rooms.

## Care and maintenance

### ⚠ DANGER

*Risk of injury. Turn the appliance  
switch to "0" and pull the mains plug of  
the charger prior to performing any  
work on the appliance.*

### ATTENTION

Risk of damage for the appliance due to leaking water. Drain the wastewater and remaining fresh water prior to performing tasks on the appliance.

→ Park the machine on an even surface.

## Maintenance schedule

### After the work

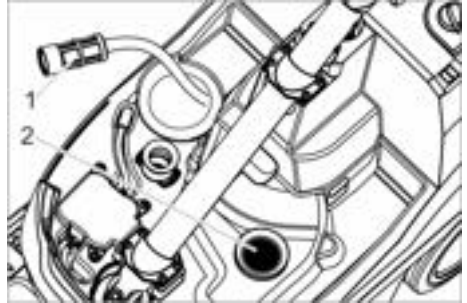
### ATTENTION

Risk of damage. Do not sluice the appliance with water and do not use aggressive detergents.

- Drain off dirt water.
- Remove the lid of the waste water tank and wash the inside of the lid and the float with water.
- Rinse the waste water tank with clear water.
- Clean the vacuum bar.
- Clean the outside of the appliance with a damp cloth which has been soaked in mild detergent.
- Clean the vacuum lips, check for wear and replace them if required.
- Clean brush.

- Check the brush for wear and replace if required (see "Maintenance tasks").
- Charge battery if required.

## Weekly



- 1 Fresh water filter
- 2 Fluff filter

- Clean the fresh water filter.
- Clean the fluff filter.

## Monthly

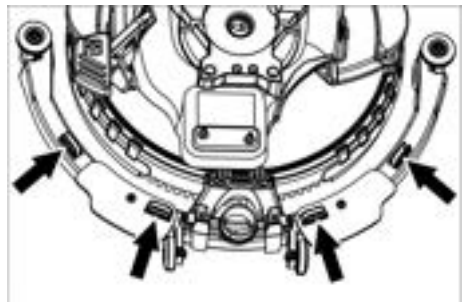
- Check the condition of the seals between waste water tank and cover, replace if required.

## Yearly

- Have the prescribed inspection carried out by the customer service.

## Maintenance Works

### Replacing the suction lips



- Compress the fastening devices and pull the vacuum lips out of the vacuum bar towards the bottom.



→ Remove the vacuum lips from the holder.

**Note:**

Thanks to the perforation pattern the vacuum lips cannot be mixed up. They cannot be turned and reinstalled.

- Replace vacuum lips.
- Insert the holder with the vacuum lips into the vacuum bar and snap into place.

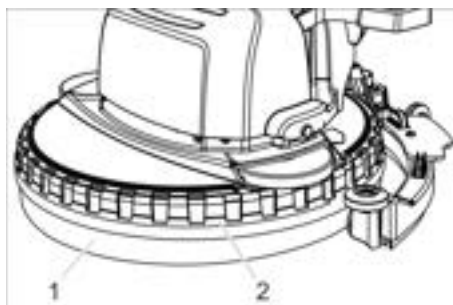
**Exchanging the brush**

- Empty the fresh water reservoir.
- Remove the waste water tank.
- Tilt the appliance backward and store it on the pushing handle.



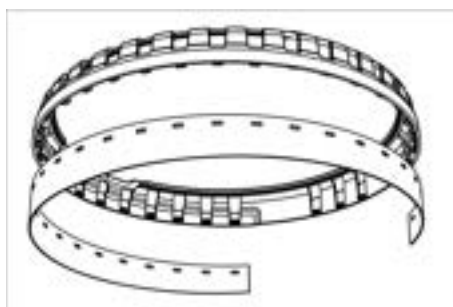
- Turn the brush counter-clockwise and remove it.
- Fit other brush and turn in a clockwise direction.

**Replace splash guard**



- 1 Splash guard
- 2 Holding ring

→ Pull the retaining ring with the splash guard off the cleaning head towards the top.



- Remove the worn splash guard from the retaining ring and dispose of.
- Push new splash guard onto the knobs of the retaining ring.
- Attach the retaining ring with the splash guard to the cleaning head.

**Maintenance contract**

To ensure a reliable operation of the appliance maintenance contracts can be concluded with the competent Kärcher sales office.

## Disposal

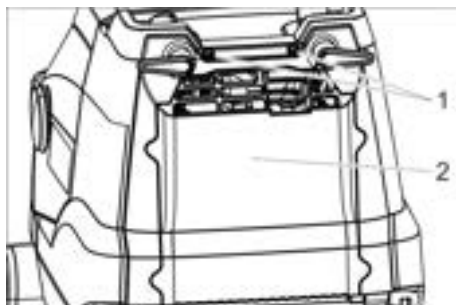
### Removing the battery

#### **⚠ DANGER**

The removal of the battery may only be performed by the Kärcher aftersales service or a specialist.

The evaluation, whether the battery is damaged or not, is done by an authorised aftersales technician

The Chapter "Safety instructions" for handling accumulators must be observed unconditionally.



- 1 Screw
- 2 Cover

- Unscrew 2 screws.
- Swivel the lid downwards.
- Loosen and remove the battery plug.
- Remove the battery.
- Dispose of used battery in accordance with the applicable provisions.

## Faults

### **⚠ DANGER**

Risk of injury. Turn the appliance switch to "0" and pull the mains plug of the charger prior to performing any work on the appliance.

### **ATTENTION**

Risk of damage for the appliance due to leaking water. Drain the wastewater and remaining fresh water prior to performing tasks on the appliance.

In case of faults that cannot be remedied using the table below please contact the customer service.

<b>Fault</b>	<b>Remedy</b>
Appliance cannot be started	Switch on the appliance switch, wait 3 seconds, check charge condition of the battery.
Insufficient water quantity	Check fresh water level, refill tank if necessary.
	Switch on "Detergent" button.
	Open the dosing device for the cleaning solution.
	Clean the fresh water filter.
Insufficient vacuum performance	Lower the vacuum bar.
	Empty the waste water tank.
	Clean the seals between waste water tank and cover and check for tightness, replace if required.
	Clean the vacuum lips on the vacuum bar, turn or replace if required
	Check if the suction hose and vacuum bar are chocked, clean if required
	Check the suction hose for tightness; replace if required.
Insufficient cleaning result	Check the brush type and the detergent for their suitability.
	Check the brushes for wear, replace if required.
Brush does not turn	Pull the safety switch towards the steering wheel.
	Check the brush for blockage by foreign objects; remove the foreign objects.
	Switch off the switch for the brush drive, wait for a short period of time, switch the switch back on.

## Accessories

The appliance can be equipped with various accessories depending on the cleaning task. Please request our catalogue or visit us on the Internet at [www.kaercher.com](http://www.kaercher.com).

Description	Part no.:	Description
Disk brush, white	6.907-154.0	For polishing and cleaning sensitive floors.
Disk brush, red (medium, standard)	6.907-151.0	For cleaning slightly dirtied or sensitive floors.
Disk brush, black (hard)	6.907-152.0	For cleaning heavily dirtied floors.
Disk brush, natural (white)	6.907-153.0	For polishing floors.
Pad driving disk	6.907-150.0	For intake of pads.
Pad, microfibre	6.905-060.0	Especially suited for the cleaning of linoleum and fine stone tiles.
Pad, black	6.369-001.0	Deep cleaning of PVC, vinyl, synthetic resin coatings, dark marble, granite, terrazzo, ground smooth.
Pad, green	6.369-002.0	Maintenance cleaning of all water-resistant floors.
Pad, red	6.369-003.0	Deep cleaning of linoleum, tiles, clinker, glazed, stoneware.
Diamond pad, white	6.371-250.0	For polishing floors.
Diamond pad, yellow	6.371-251.0	For removing fine scrapes.
Diamond pad, green	6.371-235.0	For cleaning heavily dirtied floors.
Fill hose	6.680-124.0	For filling the fresh water tank
Suction lip kit	4.037-059.0	As replacement
Vacuum bar	4.037-067.0	As replacement



## Technical specifications

<b>Power</b>		
Nominal voltage	V	25,9
Battery capacity	Ah (5h)	22
Battery type		Li-ion
Average power consumption	W	500
Suction engine output	W	280
Brush engine output	W	260
Operating temperature range	°C	0...40
<b>Vacuuming</b>		
Cleaning power, air quantity	l/s	20
Cleaning power, negative pressure	kPa	8
<b>Cleaning brushes</b>		
Working width	mm	380
Brush diameter	mm	380
Brush speed	1/min	180
<b>Charger</b>		
Voltage	V/Hz	110-120 / 50/60
Power consumption	A	4
<b>Dimensions and weights</b>		
Theoretical surface cleaning performance	m <sup>2</sup> /h	1520
Fresh/waste water tank volume	l	12
Permissible overall weight	kg	48
Transport weight	kg	36
Length x width x height	mm	940x500x1100
<b>Values determined as per EN 60335-2-72</b>		
Total oscillation value	m/s <sup>2</sup>	<2,5
Uncertainty K	m/s <sup>2</sup>	0,2
Sound pressure level L <sub>pA</sub>	dB(A)	65
Uncertainty K <sub>pA</sub>	dB(A)	2
Sound power level L <sub>WA</sub> + Uncertainty K <sub>WA</sub>	dB(A)	85

## **Warranty**

The warranty terms published by our competent sales company are applicable in each country. We will repair potential failures of your accessory within the warranty period free of charge, provided that such failure is caused by faulty material or defects in fabrication. In the event of a warranty claim please contact your dealer or the nearest authorized Customer Service center. Please submit the proof of purchase.

## **Accessories and Spare Parts**

Only use original accessories and spare parts, they ensure the safe and trouble-free operation of the device. For information about accessories and spare parts, please visit [www.kaercher.com](http://www.kaercher.com).

## **CONSIGNES DE SÉCURITÉ IMPORTANTES**

### **LIRE L'INTÉGRALITÉ DES INSTRUCTIONS AVANT L'UTILISATION.**

#### **AVERTISSEMENT**

Afin de réduire les risques d'incendie, d'électrocution et de blessures, prendre les précautions suivantes :

- NE PAS LAISSER l'appareil sans surveillance lorsqu'il est branché. Débrancher l'appareil lorsqu'il n'est pas utilisé et avant de procéder à l'entretien.

#### **AVERTISSEMENT**

- UTILISER L'APPAREIL EXCLUSIVEMENT À L'INTÉRIEUR POUR RÉDUIRE LES RISQUES D'ÉLECTROCUTION
- Cet appareil n'est pas un jouet. Ne jamais le laisser sans surveillance lorsqu'il est utilisé à proximité d'enfants.
- Respecter impérativement les consignes d'utilisation de ce manuel. Utiliser uniquement les accessoires recommandés par le fabricant.
- Ne pas mettre l'appareil en service en cas d'endommagement du cordon ou de la prise. Si l'appareil ne fonctionne pas correctement, s'il est tombé, s'il a été endommagé, s'il est resté à l'extérieur ou est tombé dans l'eau, le retourner à un centre de service.
- Ne pas tirer ou transporter l'appareil par le cordon électrique ou se servir de ce dernier comme d'une poignée. Veiller à ne pas coincer le

cordon dans une porte et éviter de le tirer sur des bords ou des coins tranchants. Ne pas rouler sur le cordon électrique. Tenir le cordon à l'écart des surfaces chaudes.

- Ne pas tirer sur le cordon électrique pour débrancher l'appareil. Tirer au niveau de la fiche pour déconnecter l'appareil du secteur.
- Ne pas manipuler l'appareil ou la fiche électrique avec les mains mouillées.
- Ne rien introduire dans les orifices. Ne pas utiliser l'appareil si l'un des orifices est obstrué. Protéger les orifices de la poussière, des peluches, des cheveux et autres matières susceptibles de réduire le débit d'air.
- Veiller à ne pas approcher les cheveux, vêtements larges, doigts ou toute autre partie du corps des orifices et composants mobiles de l'appareil.
- Désactiver toutes les commandes avant de débrancher l'appareil.
- Faire particulièrement attention lors du nettoyage d'escaliers.
- Ne pas aspirer de liquides inflammables ou combustibles, tels que de l'essence avec l'appareil. Ne pas utiliser ce dernier dans des zones susceptibles de contenir de tels produits.
- Brancher uniquement sur une prise correctement reliée à la terre. Voir les instructions de mise à terre.

## CONSERVER CES CONSIGNES

### INSTRUCTIONS DE MISE À LA TERRE

Cet appareil doit être connecté à la terre. En cas de dysfonctionnement ou de panne, la mise à la terre fournit un chemin de moindre résistance pour le courant électrique pour réduire le risque de choc électrique.

La fiche doit être branchée dans une prise électrique qui est correctement installée et raccordée à la terre en conformité avec les réglementations et directives locales.

### AVERTISSEMENT

Une connexion incorrecte du conducteur de terre de l'équipement peut avoir pour résultat un risque de choc électrique.

Contrôler avec un électricien qualifié ou un technicien de service si vous avez des doutes relatifs à la mise à la terre correcte de la prise.

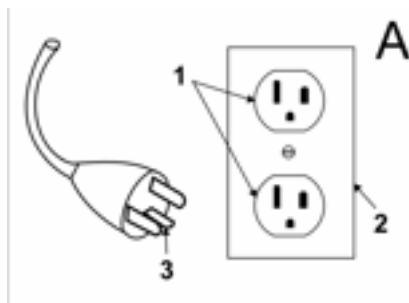
Ne pas modifier la fiche fournie avec l'appareil.

Si la fiche ne rentre pas dans la prise, faites installer une prise appropriée par un électricien qualifié.

*Cet appareil a été conçu pour fonctionner à une tension nominale de 120 volts ; sa fiche de mise à la terre est similaire à celle illustrée à la figure A.*

*S'assurer que la prise de courant utilisée est compatible avec la fiche secteur. Ne pas utiliser d'adaptateur pour brancher cet appareil.*

**BRANCHER UNIQUEMENT SUR  
UNE PRISE CORRECTEMENT RE-  
LIEE A LA TERRE**



- 1 Prise reliée à la terre
- 2 Socle de prise de courant
- 3 Fiche de mise à terre

### REGLES ET PRATIQUES DE SECURITE DE FONCTION- NEMENT

#### Responsabilité de l'opérateur

Un fonctionnement sûr est la responsabilité de l'opérateur.

L'opérateur doit être au courant du fonctionnement et des fonctions de toutes les commandes et de tous les instruments avant d'entreprendre de faire fonctionner l'unité.

Avant de faire fonctionner l'unité, les opérateurs doivent avoir lu et bien connaître le manuel d'utilisation pour l'unité particulière en fonctionnement et ils doivent également obéir aux règles et pratiques de sécurité énoncées dans les paragraphes suivants. Avant de faire fonctionner l'unité, l'opérateur doit bien connaître les conditions de fonctionnement inhabituelles qui peuvent nécessiter des précautions de sécurité supplémentaires ou des instructions de fonctionnement spéciales.

## Généralités

Avant de commencer à faire fonctionner l'unité, soyez dans une position d'opération.

Ne démarrez pas ou n'opérez pas l'unité, l'une quelconque de ses fonctions ou accessoires, depuis tout endroit autre que la position désignée pour les opérateurs.

Avant de quitter la position de l'opérateur :

- A arrêtez complètement l'unité ;
- B si l'unité doit se trouver sur un plan incliné, bloquez les roues.

Conservez une distance de sécurité depuis le bord des rampes, plateformes et autres surfaces de travail similaires.

N'effectuez aucun ajout ou aucune modification à l'unité.

Ne bloquez pas l'accès aux couloirs à incendie, escaliers ou équipement de lutte contre les incendies.

## Déplacements

Donnez la priorité aux piétons et véhicules d'urgence tels que les ambulances et les camions de pompiers.

Traversez les voies ferrées de manière angulaire si possible. Ne vous garez pas à moins de 1800 mm du rail le plus proche d'une voie ferrée.

Conservez une vision claire du chemin de déplacement et prenez garde au reste de la circulation, au personnel et aux dégagements sûrs.

Opérez l'unité à une vitesse qui lui permettra d'être arrêtée de manière sûre dans toutes les conditions de déplacement.

Ne vous adonnez pas aux cascades ou à la brutalité.

Ralentissez en cas de sols mouillés et glissants.

Avant de passer sur un bord de quai ou sur la chaussée d'un pont, assurez-vous qu'il/elle est correctement fixé(e). Conduisez prudemment et lentement sur le bord de quai ou la chaussée d'un pont et ne dépassez jamais sa capacité nominale.

Lors de la prise de virages, ralentissez à une vitesse sûre en correspondance avec l'environnement de fonctionnement. Prenez les virages en douceur.

## Entretien de l'unité par l'opérateur

Si l'unité s'avère nécessiter des réparations ou être dangereuse d'une manière quelconque ou contribue à une condition dangereuse, le problème doit être rapporté immédiatement au supérieur désigné de l'utilisateur et l'unité ne doit pas être opérée jusqu'à ce qu'elle ait été remise en une condition de fonctionnement sûre.

Si l'unité devient dangereuse d'une manière quelconque au cours du fonctionnement, le problème doit être rapporté immédiatement au supérieur désigné de l'utilisateur et l'unité ne doit pas être opérée jusqu'à ce qu'elle ait été remise en une condition de fonctionnement sûre.

N'effectuez pas de réparations ou de réglages à moins d'y être autorisé spécifiquement.

## PRATIQUES D'ENTRETIEN ET DE RECONSTRUCTION

Le fonctionnement de l'unité peut être dangereux si l'entretien est négligé ou si des réparations, reconstructions ou réglages ne sont pas effectués conformément aux critères de conception du constructeur. Par conséquent, des installations d'entretien (sur site ou au dehors), du personnel qualifié et des

procédures détaillées doivent être fournis.

L'entretien et l'inspection de l'unité doivent être réalisés conformément aux pratiques suivantes :

- A un système d'entretien, de lubrification et d'inspection planifié doit être suivi ; consultez les recommandations du constructeur.
- B seul du personnel qualifié et autorisé doit être autorisé à effectuer l'entretien, réparer, régler et inspecter l'unité et ce conformément aux spécifications du constructeur.

Évitez les risques d'incendie et disposez d'un équipement de protection contre les incendies dans la zone de travail. N'utilisez pas de récipients ouverts d'essence ou de fluides de nettoyage inflammables pour le nettoyage des pièces.

## NORME DE SECURITE INCENDIE

Toute unité ne se trouvant pas dans une condition de fonctionnement sûre doit être mise hors service.


Les réparations doivent être effectuées dans les emplacements de Classe I, Classe II et Classe III.

Prévention incendie : L'unité doit être conservée dans une condition propre et raisonnablement exempte de peluche, d'huile en excès et de graisse. Des agents non combustibles sont préférés pour le nettoyage de l'unité. Les liquides inflammables [ceux possédant des points d'inflammation à ou supérieurs à 100°F (37,8°C)] ne sont pas permis. Les précautions concernant la toxicité, la ventilation et les risques d'incendie doivent être appropriées à l'agent ou au solvant utilisé.

Visibilité de la plaque signalétique : Les désignations du type d'unité telles qu'illustrées sur la plaque signalétique

et les marqueurs de type ne doivent pas être recouverts par de la peinture de sorte que les informations concernant leur identification sont obscurcies. L'unité ne doit pas être utilisée dans des zones classifiées.



 Lire ce manuel d'utilisation original avant la première utilisation de votre appareil, le respecter et le conserver pour une utilisation ultérieure ou pour le futur propriétaire.

## Table des matières

Consignes de sécurité . . . .	FR	. . 4
Fonction . . . . .	FR	. . 6
Utilisation conforme . . . . .	FR	. . 6
Protection de l'environnement	FR	. . 6
Éléments de commande . . .	FR	. . 7
Avant la mise en service . . .	FR	. . 8
Fonctionnement . . . . .	FR	. . 8
Transport . . . . .	FR	. 11
Mise hors service . . . . .	FR	. 11
Entreposage . . . . .	FR	. 11
Entretien et maintenance . .	FR	. 11
Mise au rebut . . . . .	FR	. 13
Pannes . . . . .	FR	. 14
Accessoires . . . . .	FR	. 15
Caractéristiques techniques	FR	. 16
Garantie . . . . .	FR	. 17
Accessoires et pièces de rechange . . . . .	FR	. 17

## Consignes de sécurité

Lire la présente notice d'instructions ainsi que la brochure ci-jointe Consignes de sécurité pour les nettoyeurs à brosses n° 5.956-251.0 avant d'utiliser l'appareil et respecter les instructions.

### ⚠ AVERTISSEMENT

Ne pas utiliser l'appareil sur des plans inclinés.

**L'appareil peut être seulement exploité, lorsque le réservoir et tous les couvercles sont fermés.**

## Niveaux de danger

### **⚠ DANGER**

Signale la présence d'un danger imminent entraînant de graves blessures corporelles et pouvant avoir une issue mortelle.

### **⚠ AVERTISSEMENT**

Signale la présence d'une situation éventuellement dangereuse pouvant entraîner de graves blessures corporelles et même avoir une issue mortelle.

### **⚠ PRÉCAUTION**

Remarque relative à une situation potentiellement dangereuse pouvant entraîner des blessures légères.

### **ATTENTION**

Remarque relative à une situation éventuellement dangereuse pouvant entraîner des dommages matériels.

### **Remarque relative à la batterie (accumulateur) et au chargeur**

Des batteries lithium ion sont montées dans l'appareil. Celles-ci sont soumises à des critères particuliers. Le démontage, le montage et le contrôle des batteries défectueuses doivent être effectués uniquement par le service après-vente Kärcher ou par un spécialiste.

Vous pouvez obtenir des remarques relatives au stockage et au transport auprès de votre service après-vente Kärcher.

### **⚠ DANGER**

- Les transformations et les modifications sur l'appareil ne sont pas autorisées.
- **Ne pas ouvrir l'accumulateur,** Risque de court-circuit ! Il est en outre possible que des vapeurs irritantes ou des fluides agressifs s'en échappent.

- **Ne pas soumettre l'accumulateur à un fort rayonnement du soleil, à la chaleur ainsi qu'au feu,** il existe un risque d'explosion.
- Ne pas utiliser l'appareil de charge dans un environnement où il y a un risque de explosion.
- Ne pas utiliser l'appareil de charge en état sale ou mouillé.
- Pendant le cycle de charge, veiller à une ventilation suffisante.
- Ne jamais approcher une flamme, émettre d'étincelles ou fumer à proximité d'une batterie ou d'une station de charge pour batteries. Risque d'explosion.

### **⚠ AVERTISSEMENT**

- Contrôler l'état de l'appareil et du câble d'alimentation avant chaque utilisation. Ne plus utiliser des appareils endommagés ; faire réparer les pièces endommagées uniquement par un spécialiste.
- Tenir les enfants éloigner des batteries et du chargeur.
- Ne pas charger des batteries endommagées. Faire remplacer des batteries endommagées par le service après-vente Kärcher.
- Ne pas jeter une batterie défectueuse dans les ordures ménagères ; informer le service après-vente Kärcher.
- Eviter le contact avec le liquide qui sort des accumulateurs en panne. En cas d'un contact par hasard, rincer le liquide avec l'eau. En cas d'un contact avec les yeux, consulter en plus un médecin.

## **⚠ PRÉCAUTION**

- Ce manuel d'utilisation doit impérativement être respecté. Il convient également d'observer les recommandations légales relatives aux batteries.
- La tension du secteur doit correspondre à la tension indiquée sur la plaque signalétique de l'appareil.
- Ne utiliser l'appareil de charge que pour le chargement des groupes d'accumulateurs autorisés.
- L'accumulateur ne doit être utilisé qu'avec cet appareil ; il est interdit et dangereux de l'utiliser à d'autres fins.

## **Dispositifs de sécurité**

Lorsque le commutateur de sécurité est relâché, l'entraînement de la brosse s'arrête.

## **Fonction**

Cette aspirateur à friction est mis en œuvre pour nettoyer des sols plans par voie humide.

Il peut être aisément adapté à la tâche de nettoyage respective par réglage du débit d'eau.

Une largeur de travail de 380 mm et une capacité de 12 l pour le réservoir d'eau propre et le réservoir d'eau sale assurent un nettoyage efficace avec une grande durée d'utilisation.

La batterie peut être rechargée au moyen d'un chargeur intégré branché à une prise de 230V.

## **Utilisation conforme**

L'utilisation de l'appareil doit être faite en conformité avec les consignes figurant dans les instructions de service.

- L'appareil peut être utilisé que pour le polissage des sols plats qui ne sont pas sensibles à l'humidité.
- Cet appareil est destiné à une utilisation dans les locaux intérieurs.
- L'appareil n'est pas approprié pour nettoyer des sols gelés (par exemple dans des entrepôts frigorifiques)
- L'appareil doit uniquement être équipé d'accessoires et de pièces de rechange d'origine.

## **Protection de l'environnement**



Les matériaux constitutifs de l'emballage sont recyclables. Ne pas jeter les emballages dans les ordures ménagères, mais les remettre à un système de recyclage.



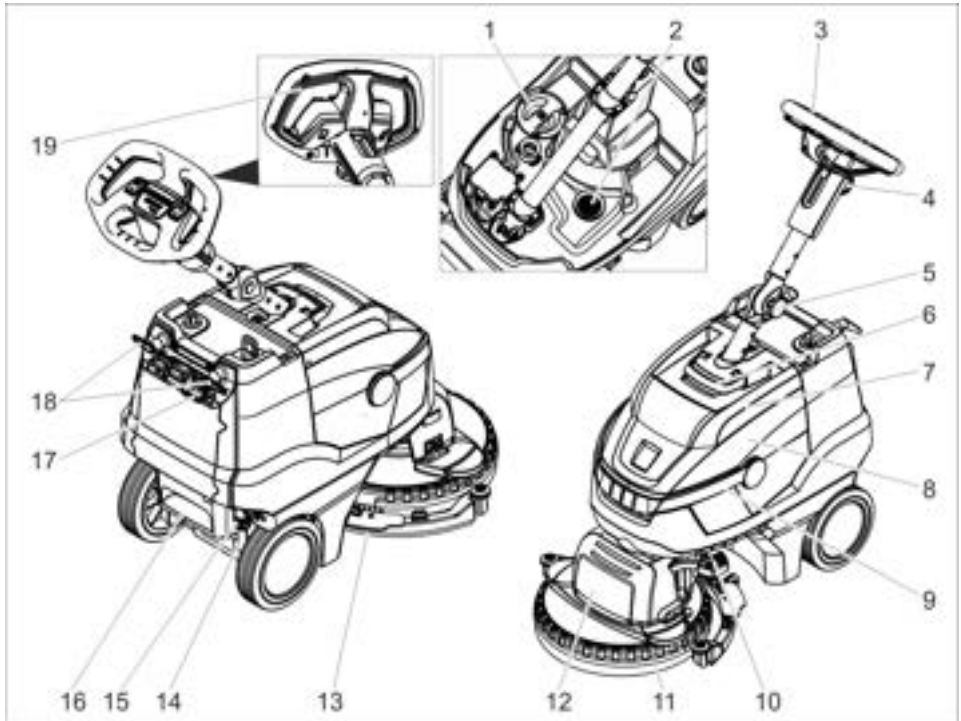
Les appareils usés contiennent des matériaux précieux recyclables lesquels doivent être apportés à un système de recyclage. Pour cette raison, utilisez des systèmes de collecte adéquats afin d'éliminer les appareils usés.

## **Instructions relatives aux ingrédients (REACH)**

Les informations actuelles relatives aux ingrédients se trouvent sous : [www.kaercher.com/REACH](http://www.kaercher.com/REACH)



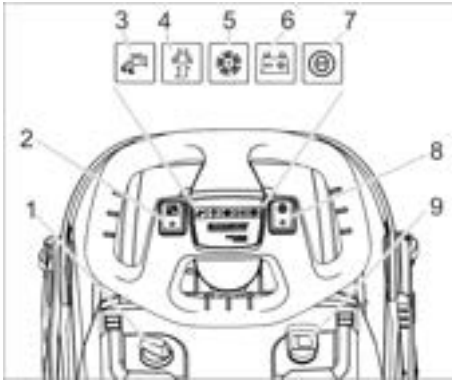
## Éléments de commande



- |    |                                                                 |    |                                             |
|----|-----------------------------------------------------------------|----|---------------------------------------------|
| 1  | Couvercle réservoir d'eau fraîche                               | 14 | Jauge de niveau d'eau propre                |
| 2  | Crible à peluches                                               | 15 | Ne pas remettre le raccord d'eau du robinet |
| 3  | Guidon de poussée                                               | 16 | Cavité de marche                            |
| 4  | Poignée en étoile, réglage en hauteur de la barre de poussée    | 17 | Affichage du chargement de la batterie      |
| 5  | Poignée en étoile, position de transport de la barre de poussée | 18 | Crochet de câble, rotatif                   |
| 6  | Déverrouillage du couvercle du bac d'eau sale                   | 19 | Coupe-circuit                               |
| 7  | Couvercle du réservoir d'eau sale                               |    |                                             |
| 8  | Réservoir d'eau sale                                            |    |                                             |
| 9  | Poignée de transport du réservoir d'eau sale                    |    |                                             |
| 10 | Pédale levage barre d'aspiration                                |    |                                             |
| 11 | Protection contre les éclaboussures                             |    |                                             |
| 12 | Tête de nettoyage                                               |    |                                             |
| 13 | Barre d'aspiration                                              |    |                                             |

### Repérage de couleur

- Les éléments de commande pour le processus de nettoyage sont jaunes.
- Les éléments de commande pour la maintenance et l'entretien sont en gris clair.



- 1 Dosage solution de nettoyage
- 2 Commutateur solution de nettoyage
- 3 Lampe témoin Appliquer la solution de nettoyage
- 4 Témoin de contrôle de la fonction Aspiration  
Vert : Turbine d'aspiration en service  
Orange, clignotant : Surcharge de la turbine d'aspiration
- 5 Turbine d'aspiration de l'entraînement de la brosse  
Vert : La brosse tourne  
Orange, clignotant : Surcharge de la brosse
- 6 Affichage de l'état de la batterie  
Vert : Batterie chargée  
Orange : Batterie presque vide  
Rouge : l'appareil se met hors service - charger la batterie
- 7 témoin de contrôle du mode Eco
- 8 interrupteur du mode Eco
- 9 Interrupteur principal

## Avant la mise en service

### Chargement de la batterie

#### Remarque :

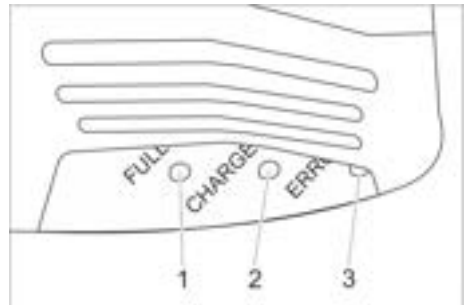
L'appareil dispose d'un dispositif de protection anti-décharge complète, c'est-à-dire qu'il développe encore la puissance minimale autorisée pour que l'appareil soit désactivé. La durée de charge est de 3 heures environ.

Le chargeur achève le chargement de façon autonome.

En cas de besoin, l'appareil peut être de nouveau utilisé avant le chargement complet de la batterie.

→ Brancher la fiche secteur dans une prise de courant.

### Affichage du chargement de la batterie



- 1 La batterie est rechargée (vert)
- 2 La batterie est chargée (jaune, clignotant)
- 3 Défaut (rouge)

## Fonctionnement

- Desserrer la poignée en étoile de la position de transport.
- Régler la barre de poussée sur la hauteur souhaitée.
- Serrer les poignées étoiles.
- Mettre le disque-brosse en place (voir « Entretien et maintenance »).

## Remplissage de carburant

### ATTENTION

Risque d'endommagement. Utiliser uniquement les détergents recommandés. Pour tout autre détergent, l'utilisateur prend des risques plus élevés quant à la sécurité du travail, au risque d'accident et à la durée de vie de l'appareil. Utiliser uniquement des détergents exempts de solvants, d'acide chlorhydrique et fluorhydrique.

Respecter les consignes de sécurité mentionnées sur les détergents.

### Remarque :

Ne jamais utiliser de détergents extrêmement moussants.

Tenir compte des consignes de dosage.

- Relever la poignée de transport du bac d'eau sale.
- Détacher le réservoir d'eau sale et le basculer sur le côté.
- Retirer le couvercle du réservoir d'eau propre.
- Remplir d'eau fraîche (maximum 50° C)
- Ajouter de détergent. Observer les consignes pour le dosage.

Détergents recommandés :

Application	Produit détergent
Nettoyage d'entretien (y compris pour les sols sensibles aux alcalins)	RM 745 RM 746
Nettoyages des salissures grasses	RM 69 ES ASF RM 69 ASF
Nettoyage minutieux (stripage) des revêtements durs résistants aux alcalins	RM 752

Nettoyage de base (stripage) du linoléum	RM 754
Nettoyeur de base, acide	RM 751
Détergent désinfectant	RM 732

Les détergents sont disponibles dans le commerce spécialisé.

- Fermer le couvercle du réservoir d'eau propre.
- Mettre le bac d'eau sale sur l'appareil.

## Réglages

- Desserrer la poignée en étoile pour le réglage en hauteur du guidon.
- Régler le guidon sur la hauteur souhaitée.
- Serrer les poignées étoiles.
- Régler le dosage de la solution de nettoyage en fonction de l'encrassement et du type de revêtement de sol.
- Mettre l'interrupteur Mode Eco dans la position souhaitée.

Fonctionnement normal : L'appareil travaille avec une vitesse de rotation de la brosse maximale et la puissance d'aspiration la plus élevée.

Eco : L'appareil travaille avec une vitesse de rotation de la brosse et une puissance d'aspiration réduites. La consommation d'énergie est ainsi réduite. La durée d'utilisation possible avec un chargement de batterie augmente.

## Nettoyage

### ATTENTION

Risque d'endommagement pour le revêtement de sol. Ne pas rester en place lors de l'utilisation de l'appareil. Risque d'endommagement. Soulever la barre d'aspiration avant de tirer l'appareil en marche arrière sur une longue distance.

- Régler l'interrupteur principal sur "I".
- Activer l'interrupteur de solution détergente
- Appuyer sur la pédale de levage de la barre d'aspiration pour abaisser la barre d'aspiration en même temps vers le bas et vers la gauche et laisser aller vers le haut.
- Tirer le coupe-circuit vers le guidon ; l'entraînement de la brosse et la commande de solution de nettoyage sont activés (s'ils sont réglés).
- Déplacer l'appareil par-dessus la surface qui doit être nettoyée.

### Arrêt et mise hors marche de l'appareil

- Relâcher le commutateur de sécurité.
- Encore avancer l'appareil de 1 à 2 m pour aspirer toute l'eau restante.
- Appuyer vers le bas sur la pédale de levage de la barre d'aspiration pour soulever la barre d'aspiration.
- Mettre l'interrupteur principal sur "0".

### Vidange du réservoir d'eau sale

#### ⚠ AVERTISSEMENT

Tenir compte des prescriptions locales pour le traitement des eaux usées.

- Basculer vers le bas la poignée du bac d'eau sale et l'enclencher.
- Retirer le réservoir d'eau sale.

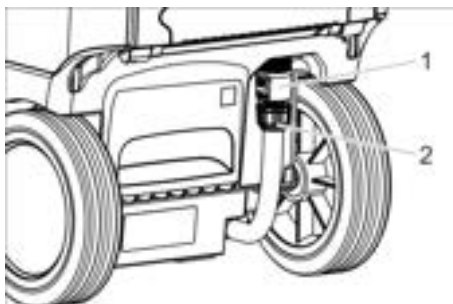


- Retirer le couvercle du bac d'eau sale.
- Vidange du réservoir d'eau sale. Basculer sur le côté le bac d'eau sale lors de la vidange, afin que le réservoir soit complètement vidé.
- Rincer le réservoir d'eau sale à l'eau propre.
- Remettre le réservoir d'eau sale en place sur l'appareil.

### Vidange du réservoir d'eau propre

#### ⚠ AVERTISSEMENT

Tenir compte des prescriptions locales pour le traitement des eaux usées.



- 1 Ne pas remettre le raccord d'eau du robinet
  - 2 Jauge de niveau d'eau propre
- Pousser le raccord vers le bas.
  - Tirer le flexible de l'indicateur de niveau et basculer vers le bas.

## Protection antigel

En cas de risque de gel :

- Vider le réservoir d'eau propre et le réservoir d'eau sale.
- Mettre brièvement en service l'appareil avec un réservoir d'eau propre vide afin que le système d'eau de l'appareil soit également purgé.
- Déposer l'appareil dans une pièce à l'abri du gel.

## Déplacer la barre de poussée

Pour réduire l'encombrement pendant le transport et le stockage, la barre de poussée peut être déplacée.

- Desserrer la poignée en étoile de la position de transport.
- Basculer la barre de poussée entièrement vers l'avant.
- Serrer les poignées étoiles.

## Transport

### ⚠ PRÉCAUTION

Risque de blessure et d'endommagement ! Respecter le poids de l'appareil lors du transport.

- Sécuriser l'appareil contre les glissements ou les basculements selon les directives en vigueur lors du transport dans des véhicules.

## Mise hors service

- Charger complètement la batterie avant un arrêt de plusieurs semaines.
- Mettre l'interrupteur principal sur "0".

### ATTENTION

*Risque d'endommagement de la batterie dû à une décharge complète. Mettre l'interrupteur principal sur « 0 » pendant les pauses de fonctionnement.*

## Entreposage

### ⚠ PRÉCAUTION

Risque de blessure et d'endommagement ! Prendre en compte le poids de l'appareil à l'entreposage.

Cet appareil doit uniquement être entreposé en intérieur.

## Entretien et maintenance

### ⚠ DANGER

Risque de blessure. Avant d'effectuer des travaux sur l'appareil, positionner l'interrupteur principal sur « 0 » et retirer la fiche secteur du chargeur.

### ATTENTION

Risque d'endommagement de l'appareil par l'eau qui s'écoule. Vider l'eau sale et l'eau propre résiduelle avant de commencer les travaux sur l'appareil.

- Garer l'appareil sur une surface plane.

## Plan de maintenance

### Après le travail

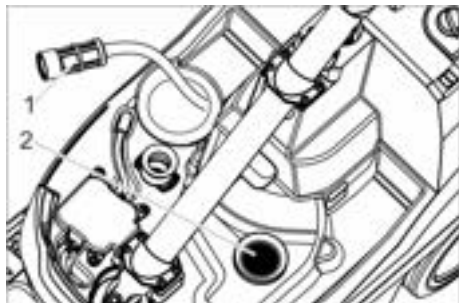
### ATTENTION

Risque d'endommagement. Ne pas laver l'appareil au jet d'eau et ne jamais utiliser de détergents agressifs.

- Vider l'eau sale.
- Retirer le couvercle du réservoir d'eau sale et rincer la partie intérieure du couvercle et le flotteur à l'eau.
- Rincer le réservoir d'eau sale à l'eau propre.
- Nettoyer la barre d'aspiration.
- Nettoyer l'extérieur de l'appareil avec un chiffon humide et imbibé de détergent doux.
- Nettoyer les lèvres d'aspiration, contrôler leur degré d'usure et le cas échéant les remplacer.
- Nettoyer la brosse.

- Contrôler l'usure de la brosse et la remplacer si nécessaire (cf. "travaux d'entretien").
- Charger la batterie, en cas de besoin.

### Hebdomadairement



- 1 Filtre d'eau propre
- 2 Crible à peluches

- Nettoyer le filtre d'eau propre.
- Nettoyer le tamis à peluches.

### Mensuellement

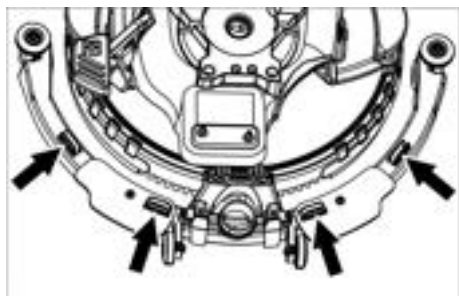
- Contrôler les joints entre le réservoir d'eau sale et le couvercle ; le cas échéant, les remplacer.

### Tous les ans

- L'inspection prescrite doit être effectuée par le service après-vente.

## Travaux de maintenance

### Remplacer les lèvres d'aspiration



- Comprimer les éléments de fixation et tirer les lèvres d'aspiration vers le bas pour les sortir de la barre d'aspiration.



- Sortir les lèvres d'aspiration du support.

#### Remarque :

Les lèvres d'aspiration sont protégées contre les inversions par le motif à trous. Elles ne peuvent pas être tournées ni remises en place.

- Remplacer les lèvres d'aspiration.
- Mettre le support avec les lèvres d'aspiration dans la barre d'aspiration et l'enclencher.

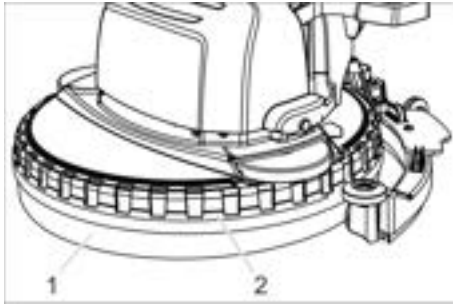
### Remplacer la brosse

- Vider le réservoir d'eau propre.
- Retirer le réservoir d'eau sale.
- Basculer l'appareil en arrière et le poser sur le guidon de poussée.



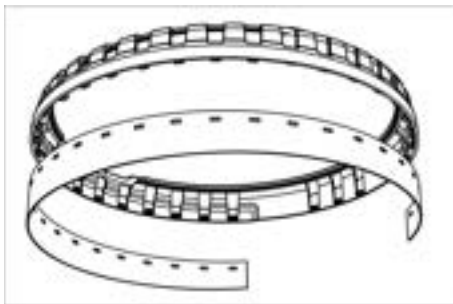
- Tourner la brosse dans le sens inverse des aiguilles d'une montre et la retirer.
- Mettre en place l'autre brosse et la tourner dans le sens des aiguilles d'une montre.

## Remplacer la protection anti-éclaboussures



- 1 Protection contre les éclaboussures
- 2 Bague de retenue

→ Enlever de la tête de nettoyage vers le haut la bague de retenue avec la protection anti-éclaboussures.



- Détacher la protection anti-éclaboussures usée de la bague de retenue et l'éliminer.
- Appuyer la nouvelle protection anti-éclaboussures sur picots de la bague de retenue.
- Poser la bague de retenue avec la protection anti-éclaboussures sur la tête de nettoyage.

## Contrat de maintenance

Afin de pouvoir garantir un fonctionnement fiable de l'appareil, il est possible de conclure des contrats de maintenance avec le bureau de ventes Kärcher responsable.

## Mise au rebut

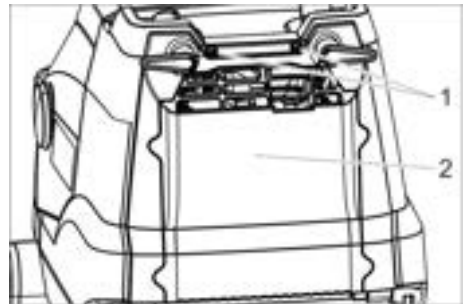
### Démonter la batterie

#### ⚠ DANGER

Le démontage de la batterie doit être effectué uniquement par le service après-vente Kärcher ou par un spécialiste.

L'évaluation de l'état de la batterie se fait par un monteur agréé du service après-vente.

Respecter impérativement le chapitre « Consignes de sécurité » à propos des accumulateurs.



- 1 Vis
- 2 Capot

- Dévisser 2 vis.
- Basculer le couvercle vers le bas.
- Desserrer et enlever les connecteurs de batterie.
- Retirer les batteries.
- Éliminer la batterie usée en respectant les dispositions en vigueur.

## Pannes

### **⚠ DANGER**

Risque de blessure. Avant d'effectuer des travaux sur l'appareil, positionner l'interrupteur principal sur « 0 » et retirer la fiche secteur du chargeur.

### **ATTENTION**

Risque d'endommagement de l'appareil par l'eau qui s'écoule. Vider l'eau sale et l'eau propre résiduelle avant de commencer les travaux sur l'appareil. En cas de pannes ne pouvant pas être résolues grâce aux instructions de ce tableau, appeler le service après-vente.

<b>Panne</b>	<b>Remède</b>
Il est impossible de mettre l'appareil en marche	Activer l'interrupteur de l'appareil, attendre 3 secondes, vérifier l'état de charge de la batterie.
Quantité d'eau insuffisante	Contrôler le niveau d'eau propre et en cas de besoin, remplir le réservoir
	Activer l'interrupteur de solution détergente
	Ouvrir le dosage de la solution de nettoyage.
	Nettoyer le filtre d'eau propre.
Puissance d'aspiration insuffisante	Abaissier la barre d'aspiration.
	Vider le réservoir d'eau sale.
	Nettoyer les joints entre le réservoir d'eau sale et le couvercle et vérifier s'ils sont étanches, en cas de besoin remplacer.
	Nettoyer les lèvres d'aspiration sur la barre d'aspiration et en cas de besoin tourner ou remplacer.
	Vérifier si le flexible d'aspiration et la barre d'aspiration sont colmatés et le cas échéant, éliminer le colmatage
Résultat de nettoyage insuffisant	Contrôler si les flexibles d'aspiration sont étanches et en cas de besoin remplacer.
	Vérifier si le type de brosse et le détergent conviennent.
La brosse ne tourne pas	Contrôler le degré d'usure des brosses et le cas échéant, les remplacer.
	Tirer le commutateur de sécurité vers le volant.
	Vérifier si des corps étrangers bloquent la brosse, éliminer les corps étrangers. Couper l'interrupteur du mode entraînement de la brosse, attendre un moment puis réactiver l'interrupteur.



## Accessoires

L'appareil peut être équipé de différents accessoires en fonction de l'application respective. De plus amples détails figurent dans notre catalogue ou sur notre site Internet [www.kaercher.com](http://www.kaercher.com).

<b>Désignation</b>	<b>Référence</b>	<b>Description</b>
Disque-brosse, blanche	6,907-154.0	Pour le polissage et nettoyage des sols sensibles.
Disque-brosse, rouge (moyenne, standard)	6,907-151.0	Pour le nettoyage des sols pas trop sales ou sensibles.
Disque-brosse, noire (dure)	6,907-152.0	Pour le nettoyage des sols très sales.
Disque-brosse, nature (douce)	6,907-153.0	Pour le polissage des sols.
Plateau d'entraînement du pad	6,907-150.0	Pour la réception de pads.
Pad, microfibre	6,905-060.0	Convenant de façon idéale au nettoyage de linoléum et de carrelages en grès cérame fin.
Pad, noir	6,369-001.0	Nettoyage de base du PVC, du vinyle, des revêtements en résine synthétique, du marbre foncé, du granit, du terrazzo, des surfaces polies.
Pad, vert	6,369-002.0	Nettoyage d'entretien de tous les sols résistants à l'eau.
Pad, rouge	6,369-003.0	Nettoyage de base du linoléum, des carrelages, des briques vitrifiées, des surfaces vernies, de la céramique.
Pad diamant, blanc	6,371-250.0	Pour le polissage des sols.
Pad diamant, or	6,371-251.0	Pour enlever de petites rayures.
Pad diamant, vert	6,371-235.0	Pour le nettoyage des sols très sales.
Flexible de remplissage	6,680-124.0	Pour un remplissage du réservoir d'eau propre
Kit de lèvres d'aspiration	4.037-059.0	En guise de remplacement
Barre d'aspiration	4,037-067.0	En guise de remplacement

## Caractéristiques techniques

<b>Performances</b>		
Tension nominale	V	25.9
Capacité de la batterie	Ah (5h)	22
Type de pile		Li-ion
Puissance absorbée moyenne	W	500
Puissance du moteur d'aspiration	W	280
Puissance de moteur de brosses	W	260
plage de températures d'utilisation	°C	0...40
<b>Aspiration</b>		
Puissance d'aspiration, débit d'air	l/s	20
Puissance d'aspiration, dépression	kPa	8
<b>Brosses de nettoyage</b>		
Largeur de travail	mm	380
Diamètre des brosses	mm	380
Vitesse des brosses	t/min	180
<b>Chargeur</b>		
Tension	V/Hz	110-120 / 50/60
Courant absorbée	A	4
<b>Dimensions et poids</b>		
Surface théoriquement nettoyable	m <sup>2</sup> /h	1520
Volume du réservoir d'eau propre/réservoir d'eau sale	l	12
Poids total admissible	kg	48
Poids de transport	kg	36
Longueur x largeur x hauteur	mm	940x500x1100
<b>Valeurs déterminées selon EN 60335-2-72</b>		
Valeur totale de vibrations	m/s <sup>2</sup>	<2.5
Incertitude K	m/s <sup>2</sup>	0.2
Niveau de pression acoustique L <sub>pA</sub>	dB(A)	65
Incertitude K <sub>pA</sub>	dB(A)	2
Niveau de pression acoustique L <sub>WA</sub> + incertitude K <sub>WA</sub>	dB(A)	85

## **Garantie**

Dans chaque pays, les conditions de garantie en vigueur sont celles publiées par notre société de distribution responsable. Les éventuelles pannes sur les accessoires sont réparées gratuitement dans le délai de validité de la garantie, dans la mesure où celles-ci relèvent d'un défaut matériel ou d'un vice de fabrication. En cas de recours en garantie, adressez-vous à votre revendeur ou au service après-vente agréé le plus proche munis de votre preuve d'achat.

## **Accessoires et pièces de rechange**

N'utiliser que des accessoires et pièces de rechange d'origine, ils garantissent le bon fonctionnement de l'appareil.

Vous trouverez des informations relatives aux accessoires et pièces de rechange sur [www.kaercher.com](http://www.kaercher.com).

## **INSTRUCCIONES IMPORTANTES DE SEGURIDAD**

### **LEER TODAS LAS INSTRUCCIONES ANTES DE USAR.**

#### **ADVERTENCIA**

Para reducir el riesgo de fuegos, descarga eléctrica o lesiones:

- NO ABANDONAR la unidad mientras esté enchufada. Desenchufar cuando no esté en uso y antes de revisar.

#### **ADVERTENCIA**

- PARA REDUCIR EL RIESGO DE DESCARGA ELÉCTRICA, USAR SOLO EN INTERIORES
- No permita que se use como juguete. Prestar mucha atención cuando se use cerca de niños.
- Usar exclusivamente como se describe en este manual. Usar solamente con los complementos recomendados por el fabricante.
- No usar con el cable o la clavija dañados. Si el aparato no funciona como debería, se ha caído al suelo, dañado, dejado al aire libre, o caído al agua, devuélvalo a servicio o a la centralita de atención al cliente.
- No tirar del cable ni transportar el aparato cogido por el cable, no cerrar una puerta sobre el cable, ni pasar el cable por bordes o esquinas afiladas. No pasar el aparato por encima del cable. Mantener el cable alejado de superficies calientes.
- No tirar del cable para desenchufar el aparato. Para desenchufar, tire de la clavija no del cable.

- No manipular la clavija ni el aparato con las manos mojadas.
- No introducir objetos en los orificios. No usar con cualquiera de los orificios bloqueados; mantener sin polvo, pelusa, pelo y cualquier otra cosa que pueda reducir el flujo de aire.
- Mantener el cabello, la ropa floja, los dedos y todas las partes del cuerpo alejadas de los orificios y partes móviles.
- Apagar los mandos de control antes de desenchufar.
- Usar con especial cuidado cuando limpie escaleras.
- No usar para recoger líquidos inflamables o combustible, como gasolina, ni utilizar el aparato en áreas donde puedan estar presentes.
- Conectar exclusivamente a una toma con puesta a tierra. Consultar las instrucciones de puesta a tierra.

### **CONSERVE ESTAS INSTRUCCIONES**

#### **INSTRUCCIONES DE PUESTA A TIERRA**

Este aparato debe ser puesto a tierra. Si funciona mal o se estropea, la toma a tierra ofrece una ruta de menor resistencia para la corriente eléctrica para reducir el riesgo de una descarga eléctrica.

El enchufe se debe insertar en una clavija apropiada que esté instalada correctamente y puesta a tierra de acuerdo con los códigos y normativas locales.

## ADVERTENCIA

Una conexión incorrecta del conductor del equipo de toma a tierra puede provocar una descarga eléctrica.

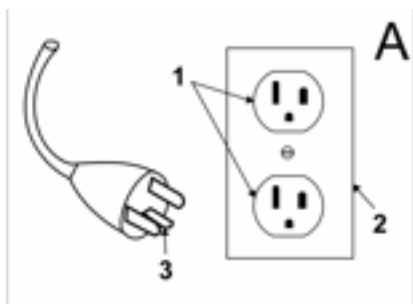
Consulte a un electricista cualificado o a un técnico si tiene dudas acerca de si el enchufe tiene la toma a tierra correcta.

No modifique el enchufe suministrado del aparato.

Si no encaja en el enchufe, solicite a un electricista cualificado que instale un enchufe correcto.

*Este dispositivo está diseñado para usar en un circuito nominal de 120 V y tiene un enchufe de toma a tierra que tiene el aspecto de la figura A. Asegúrese de que el dispositivo esté conectado a una toma de corriente que tenga la misma configuración que la clavija. No se debe usar un adaptador con este equipo.*

### CONECTAR EXCLUSIVAMENTE A UNA TOMA DE CORRIENTE CON PUESTA A TIERRA



- 1 Toma de corriente con puesta a tierra
- 2 Caja de toma de corriente con puesta a tierra
- 3 Clavija con puesta a tierra

## NORMAS Y PROCEDIMIENTOS DE SEGURIDAD DURANTE EL FUNCIONAMIENTO

### Responsabilidad del operario

El operario será responsable de garantizar un funcionamiento seguro.

El operario deberá estar familiarizado con el manejo y las funciones de todos los elementos de mando y todos los instrumentos antes de proceder al manejo de la unidad.

Antes de poner en funcionamiento la unidad, los operarios deberán haber leído el manual de instrucciones de la unidad particular de que se trate y estar familiarizados con él; además, deberán respetar las normas y procedimientos de seguridad que se describen a continuación.

Antes de poner en funcionamiento una unidad cualquiera, el operario deberá conocer bien las posibles condiciones inusuales de funcionamiento que requieren la adopción de determinadas precauciones especiales o para las que existen unas instrucciones de manejo especiales.

### Generalidades

Antes de poner en funcionamiento la unidad, ésta deberá encontrarse en la posición de servicio.

No ponga en marcha ni utilice la unidad ni ninguna de sus funciones o sus aditamentos desde un lugar que no sea el concebido para el operario.

Antes de abandonar la posición del operario:

A pare la unidad por completo;

B si es necesario dejar la unidad en una pendiente, bloquee las ruedas.

Guarde una distancia segura respecto a los bordes de las rampas y las plataformas, y respecto a los de otras superficies de trabajo similares.

No efectúe ampliaciones ni modificaciones en la unidad.

No bloquee el acceso a las salidas previstas en caso de incendio, las escaleras o los extintores.

### **Durante la circulación**

Ceda el paso a los peatones y a los vehículos de emergencia, como son las ambulancias y los camiones de bomberos.

Siempre que sea posible, cruce las vías férreas formando un ángulo con ellas. No estacione a menos de 6 ft (1800 mm) de distancia respecto a los raíles o las vías férreas más cercanos. Asegúrese de mantener una vista libre de obstáculos del trayecto a recorrer, respete las normas de tráfico, tenga cuidado con las personas y guarde las distancias de seguridad.

Sean cuales sean las condiciones de circulación, conduzca la unidad siempre a una velocidad tal que le permita detenerse por completo de modo seguro.

Durante la conducción, no acceda jamás a realizar acrobacias o competencias.

Cuando circule por pisos húmedos o resbaladizos, reduzca la velocidad.

Antes de circular por un muelle o por el tablero de un puente, asegúrese de que dichos elementos estén correctamente sujetos. Conduzca con precaución y despacio por el muelle y el puente, y no sobrepase nunca la capacidad nominal de los mismos.

Cuando tenga que efectuar giros, reduzca la velocidad hasta que sea seguro efectuarlos conforme al entorno en que esté maniobrando. Realice los giros con suavidad.

### **Cuidado de la unidad por parte del operario**

Si se descubre la necesidad de reparar la unidad o se detecta que ésta resulta insegura de alguna manera o que contribuye a crear condiciones de inseguridad, se debe informar de inmediato a la autoridad designada por el usuario. Además, la unidad no deberá volver a utilizarse hasta que se la haya devuelto a un estado operativo seguro.

Si, durante el funcionamiento, la unidad se vuelve insegura de alguna manera, se debe informar de inmediato a la autoridad designada por el usuario. Además, la unidad no deberá volver a utilizarse hasta que se la haya devuelto a un estado operativo seguro.

No lleve a cabo reparaciones ni practique ajuste alguno a no ser que haya sido expresamente autorizado para ello.

### **TAREAS DE MANTENIMIENTO Y ACONDICIONAMIENTO**

Si se descuida el mantenimiento o se practican en la unidad reparaciones, tareas de acondicionamiento o ajustes en los que no se respeten los criterios de diseño del fabricante, su manejo puede resultar peligroso. Por ello, se debe disponer de servicios de mantenimiento (dentro o fuera de las instalaciones), contar con personal cualificado y establecer unos modos de proceder detallados.

El mantenimiento y la inspección de la unidad deberán llevarse a cabo respetando las tareas que se indican a continuación:

- A se deben seguir unos esquemas de mantenimiento, lubricación e inspección conforme a su planificación; consulte las recomendaciones del fabricante.
- B el mantenimiento, las reparaciones, los ajustes y las inspecciones de la unidad sólo podrán ser llevados a cabo por personal cualificado y autorizado; además, dichas tareas se realizarán siempre de conformidad con las especificaciones del fabricante.

Evite las posibles fuentes de peligro de incendio y disponga siempre de extintores en la zona de trabajo. En la limpieza de las piezas, no use recipientes de combustible abiertos ni líquidos limpiadores inflamables.

## **NORMAS DE SEGURIDAD CONTRA INCENDIOS**

Cuando las condiciones operativas de una unidad no sean seguras, ésta deberá ponerse fuera de servicio.

En los emplazamientos de la clase I, la clase II y la clase III está prohibido efectuar reparaciones.

Prevención contra incendios: la unidad se debe mantener limpia y debe estar razonablemente libre de pelusas, restos de aceite y grasa. Para limpiar la unidad, se recomienda usar preferiblemente agentes incombustibles. No está permitido emplear líquidos inflamables [aquellos cuyo punto de inflamación esté en 100°F (37,8°C) o por encima]. Se deben adoptar precauciones adecuadas al tipo de agente o disolvente empleado en lo que a la toxicidad, la ventilación y el peligro de incendios respecta.

Visibilidad de la placa de características: las denominaciones de tipo y las marcas de tipo de la unidad indicadas en la placa de características no deben cubrirse con pintura que oscurezca la información identificativa allí contenida.

No se debe utilizar la unidad en zonas clasificadas.



Antes del primer uso de su aparato, lea este manual original, actúe de acuerdo a sus indicaciones y guárdelo para un uso posterior o para otro propietario posterior.

## Índice de contenidos

Indicaciones de seguridad . . . . .	ES . . . 5
Función . . . . .	ES . . . 6
Uso previsto . . . . .	ES . . . 6
Protección del medio ambiente	ES . . . 7
Elementos de mando . . . . .	ES . . . 8
Antes de la puesta en marcha	ES . . . 9
Funcionamiento . . . . .	ES . . . 9
Transporte . . . . .	ES . . 12
Puesta fuera de servicio. . . . .	ES . . 12
Almacenamiento . . . . .	ES . . 12
Cuidados y mantenimiento. . . . .	ES . . 12
Eliminación de desechos . . . . .	ES . . 14
Averías . . . . .	ES . . 15
Accesorios . . . . .	ES . . 16
Datos técnicos . . . . .	ES . . 17
Garantía . . . . .	ES . . 18
Accesorios y piezas de repues- to . . . . .	ES . . 18

## Indicaciones de seguridad

Antes de utilizar por primera vez el equipo, lea y tenga en cuenta el presente manual de instrucciones y el folleto adjunto relativo a las instrucciones de seguridad para equipos de limpieza con cepillos 5.956-251.0.

### ⚠ **ADVERTENCIA**

No utilizar el aparato en cuevas inclinadas.

**El aparato sólo se puede poner en funcionamiento cuando el depósito y todas las tapas estén cerradas.**

### Niveles de peligro

#### ⚠ **PELIGRO**

Aviso sobre un riesgo de peligro inmediato que puede provocar lesiones corporales graves o la muerte.

#### ⚠ **ADVERTENCIA**

Aviso sobre una situación probablemente peligrosa que puede provocar lesiones corporales graves o la muerte.

#### ⚠ **PRECAUCIÓN**

Indicación sobre una situación que puede ser peligrosa, que puede acarrear lesiones leves.

#### **CUIDADO**

Aviso sobre una situación probablemente peligrosa que puede provocar daños materiales.

### Indicaciones sobre la batería (acumulador) y el cargador

En el aparato hay integradas baterías de iones de litio. Estas cumplen criterios especiales. El desmontaje y montaje, así como la comprobación de baterías defectuosos, solo lo puede realizar el servicio técnico de Kärcher u otro técnico.

Consultar al servicio técnico de Kärcher acerca del almacenamiento y transporte.

#### ⚠ **PELIGRO**

- No está permitido modificar ni alterar el aparato.
- **No abrir la batería**, hay peligro de que se produzca un cortocircuito, adicionalmente puede producirse la salida de vapores irritantes o líquidos corrosivos.
- **No exponer la batería a intensa radiación solar, calor o fuego**, hay peligro de explosión.
- No utilizar el cargador en un ambiente con peligro de explosión.
- No utilizar el cargador si está sucio o húmedo.
- Procurar que haya suficiente ventilación durante el proceso de carga.



- No manipular con llama directa, ni generar chispas o fumar cerca de una batería o en el lugar donde se cargue la batería. Peligro de explosiones.

### **⚠ ADVERTENCIA**

- Compruebe si el aparato y el cable de alimentación están dañados antes de usarlos. No vuelva a usar los aparatos dañados y encargue solo al personal técnico que repare las piezas dañadas.
- Mantener a los niños alejados de las baterías y el cargador.
- No cargar baterías dañadas. Solicitar al servicio técnico de Kärcher que cambie las baterías dañadas.
- No tirar las baterías defectuosas en la basura doméstica, informar al servicio técnico de Kärcher.
- Evitar entrar en contacto con el líquido que sale de baterías defectuosas. Si entra en contacto con el líquido, enjuagar con agua. Si entra en contacto con los ojos consultar también a un médico.

### **PRECAUCIÓN**

- Es imprescindible respetar el manual de instrucciones. Respetar las recomendaciones vigentes para la manipulación de baterías.
- La tensión de red tiene que coincidir con la indicada en la placa de características del aparato.
- Utilice el cargador sólo para cargar la batería permitida.
- Solo se puede utilizar esta baterías con este aparato, está prohibido usarla con otros fines y resultaría peligroso.

## **Dispositivos de seguridad**

Si se suelta el interruptor de seguridad, se apaga el accionamiento de los cepillos.

## **Función**

La fregadora/aspiradora sirve para efectuar la limpieza en húmedo de pisos llanos.

Puede adaptarse fácilmente a la tarea de limpieza que corresponda ajustando el caudal de agua.

Una anchura de trabajo de 380 mm y unos depósitos de agua limpia y de agua sucia con una capacidad de 12 l le permiten llevar a cabo una limpieza efectiva en aplicaciones prolongadas. La batería se puede cargar con el cargador incorporado en un enchufe de 230 V.

## **Uso previsto**

Utilice el aparato únicamente de conformidad con las indicaciones del presente manual de instrucciones.

- El aparato sólo se puede utilizar para limpiar suelos lisos resistentes a la humedad.
- Este aparato está destinado a ser usado en interiores.
- El aparato no es apto para la limpieza de pisos congelados (p. ej., en almacenes frigoríficos).
- Sólo está permitido dotar al aparato de accesorios y piezas de repuesto originales.

## Protección del medio ambiente



Los materiales de embalaje son reciclables. Por favor, no tire el embalaje a la basura doméstica; en vez de ello, entréguelo en los puntos oficiales de recogida para su reciclaje o recuperación.



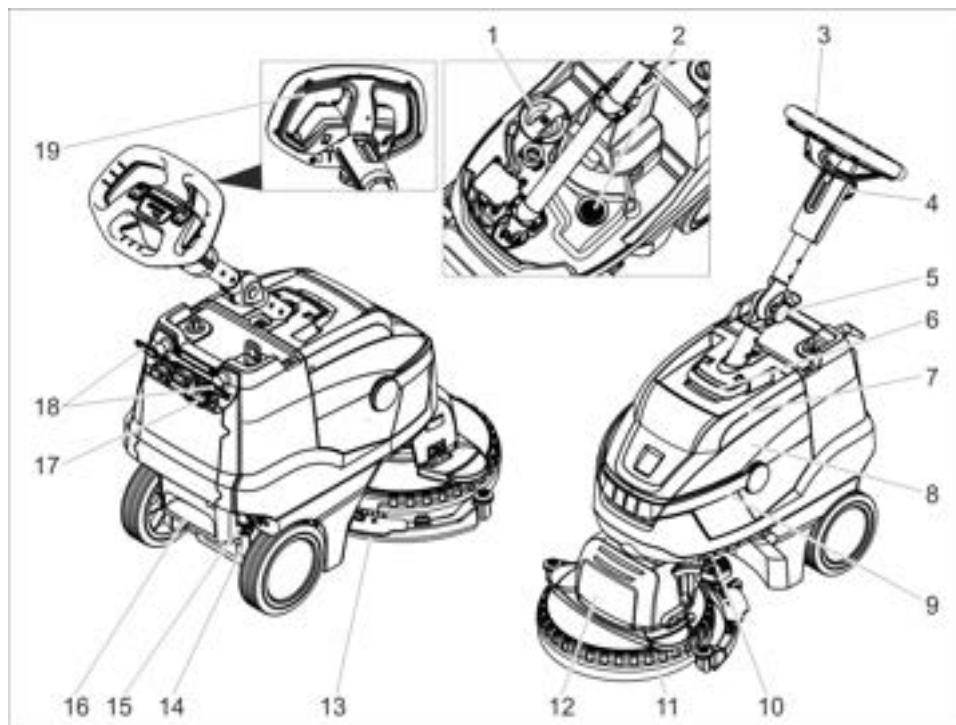
Los aparatos viejos contienen materiales valiosos reciclables que deberían ser entregados para su aprovechamiento posterior. Por este motivo, entregue los aparatos usados en los puntos de recogida previstos para su reciclaje.

### Indicaciones sobre ingredientes (REACH)

Encontrará información actual sobre los ingredientes en:

***[www.kaercher.com/REACH](http://www.kaercher.com/REACH)***

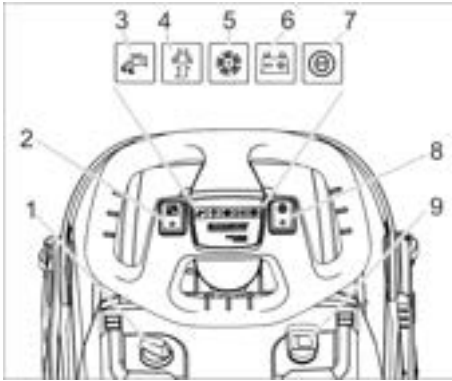
## Elementos de mando



- |    |                                                               |    |                                       |
|----|---------------------------------------------------------------|----|---------------------------------------|
| 1  | Tapa depósito de agua limpia                                  | 14 | Indicador de nivel de agua limpia     |
| 2  | Filtro de pelusas                                             | 15 | Purgar el acoplamiento de agua limpia |
| 3  | Estribo de empuje                                             | 16 | Peldaño                               |
| 4  | Mango en estrella, ajuste de la altura de la barra de empuje  | 17 | Indicador de carga de batería         |
| 5  | Mango en estrella, ajuste de transporte de la barra de empuje | 18 | Gancho de cable, giratorio            |
| 6  | Desbloqueo de la tapa del depósito de agua sucia              | 19 | Interruptor de seguridad              |
| 7  | Tapa del depósito de agua sucia                               |    |                                       |
| 8  | depósito de agua sucia                                        |    |                                       |
| 9  | Asa de transporte depósito de agua sucia                      |    |                                       |
| 10 | Pedal para subir la barra de aspiración                       |    |                                       |
| 11 | Protección contra salpicaduras                                |    |                                       |
| 12 | Cabezal limpiador                                             |    |                                       |
| 13 | Barra de aspiración                                           |    |                                       |

### Identificación por colores

- Los elementos de control para el proceso de limpieza son amarillos.
- Los elementos de control para el mantenimiento y el servicio son de color gris claro.



- 1 Dosis solución detergente
- 2 Interruptor solución de limpieza
- 3 Piloto de control aplicar solución de detergente
- 4 Piloto de control Aspiración  
En verde: Turbina de aspiración en funcionamiento  
Naranja, parpadeando: Turbina de aspiración sobrecargada
- 5 Piloto de control accionamiento de cepillos  
En verde: el cepillo gira  
Naranja, parpadeando: cepillo sobrecargado
- 6 Indicador de estado de la batería  
Verde: Batería cargada  
Naranja: batería casi vacía  
Rojo: El aparato se desconecta - batería cargada
- 7 Piloto de control Eco Mode
- 8 Interruptor Eco Mode
- 9 Interruptor del aparato

## Antes de la puesta en marcha

### Carga de batería

#### Indicación:

El aparato dispone de una protección de descarga total, es decir, cuando se alcance la capacidad máxima permitida, el aparato se desconectará.

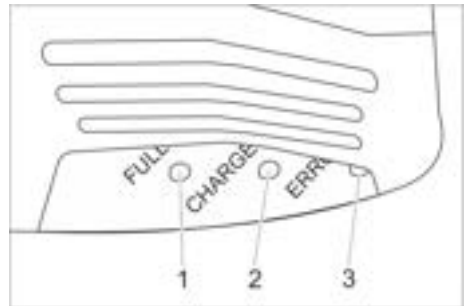
El tiempo de carga es de 3 horas aproximadamente.

El cargador finaliza el proceso de carga por sí solo.

Si es necesario, el aparato también se puede volver a utilizar antes de que la batería se haya cargado totalmente.

→ Enchufar la clavija de red a una toma de corriente.

### Indicador de carga de batería



- 1 La batería está cargada (verde)
- 2 Se está cargando la batería (amarilla, parpadeante)
- 3 Avería (rojo)

## Funcionamiento

- Desbloquear el mango en estrella de la posición de transporte.
- Ajustar la barra de empuje a la temperatura deseada.
- Ajustar el mango en estrella.
- Coloque el cepillo de disco (consulte el capítulo "Cuidado y mantenimiento").

## Adición de combustibles

### CUIDADO

Peligro de daños en la instalación. Utilice únicamente el detergente recomendado. Para otros detergentes, el operador asume un mayor riesgo en la seguridad del funcionamiento y el peligro de accidentes. Peligro de accidentes y duración reducida del aparato.

Utilizar solo detergentes que no contengan disolventes, ácidos clorhídricos ni ácidos hidrofúricos.

Tener en cuenta las indicaciones de seguridad de los detergentes.

### Indicación:

No utilice detergentes altamente espumosos. Respete las indicaciones de dosificación.

- Girar hacia arriba el asa de transporte del depósito de agua sucia.
- Extraer el depósito de agua sucia y colocar a un lado.
- Quitar la tapa del depósito de agua limpia.
- Eche agua limpia (50 °C como máximo).
- Añadir detergente. Observar las indicaciones de dosificación.

Detergente recomendado:

Empleo	Detergente
Limpeza de mantenimiento (también en suelos sensibles al álcali)	RM 745 RM 746
Limpeza de manchas de grasa	RM 69 ES ASF RM 69 ASF
Limpeza básica (marca) de pavimentos duros resistentes al álcali	RM 752
Limpeza básica (marca) de linóleo	RM 754

Limpiador intensivo, ácido	RM 751
Desinfectante	RM 732

Detergente disponible en comercios especializados.

- Cierre la tapa del depósito de agua limpia.
- Colocar el depósito de agua sucia en el aparato.

## Configuraciones

- Aflojar el mango en estrella para ajustar la altura del estribo de empuje.
- Ajustar el estribo de empuje a la temperatura deseada.
- Ajustar el mango en estrella.
- Ajustar la dosis de solución de detergente de acuerdo a la suciedad y el tipo del pavimento.
- Poner el interruptor Eco Mode en la posición deseada.

Funcionamiento normal: El aparato trabaja con velocidad de cepillo máxima y máxima potencia de aspiración.

Eco: El aparato trabaja con velocidad de cepillo y potencia de aspiración reducidas. Al hacerlo se reduce también el consumo de energía. Si se carga la batería aumenta el tiempo de aplicación posible.

## Limpeza

### CUIDADO

Peligro de daños para el revestimiento del suelo. No utilice el aparato en esa zona.

Peligro de daños en la instalación. Elevar la barra de aspiración antes de tirar del aparato hacia atrás durante un tiempo largo.

- Colocar el interruptor principal en la posición "I".

- Conecte el interruptor de solución de detergente.
- Presionar hacia abajo y hacia la izquierda el pedal para bajar la barra de aspiración y dejar que salga hacia arriba.
- Tirar del interruptor de seguridad hacia el estribo de empuje; se conectará el accionamiento de cepillos y la aplicación de solución de detergente (si está ajustada).
- Mover el aparato sobre la superficie a limpiar.

### Detención y apagado

- Soltar el interruptor de seguridad.
- Conduzca el aparato entre 1-2 m hacia delante para aspirar el agua restante.
- Presionar el pedal de la elevación de la barra de aspiración hacia abajo para elevar la barra de aspiración.
- Colocar el interruptor principal en la posición "0".

### Vaciado del depósito de agua sucia

#### ⚠ **ADVERTENCIA**

Respetar la normativa local vigente en materia de tratamiento de aguas residuales.

- Girar hacia arriba el asa del depósito de agua sucia y encajar.
- Extraer el depósito de agua sucia.

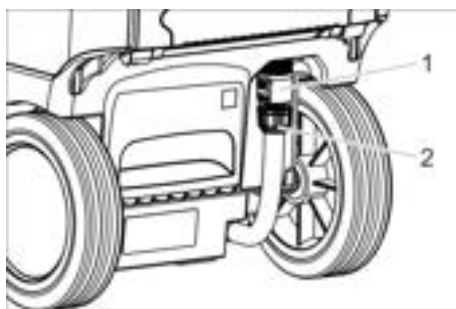


- Quitar la tapa del depósito de agua sucia.
- Vaciado del depósito de agua sucia. Girar hacia el lateral el depósito de suciedad al vaciar para que se vacíe totalmente el depósito.
- Aclare el depósito de agua sucia con agua limpia.
- Vuelva a colocar otra vez el depósito de agua sucia.

### Vaciado del depósito de agua limpia

#### ⚠ **ADVERTENCIA**

Respetar la normativa local vigente en materia de tratamiento de aguas residuales.



- 1 Purgar el acoplamiento de agua limpia
  - 2 Indicador de nivel de agua limpia
- Desplazar el acoplamiento hacia abajo.
  - Extraer la manguera del indicador de nivel y girar hacia abajo.

### Protección antiheladas

En caso de peligro de heladas:

- Vacíe el depósito de agua limpia y el depósito de agua sucia.
- Poner el aparato en funcionamiento brevemente con el depósito de agua limpia para que se vacíe también el sistema de agua del aparato.

- Guarde el aparato en un lugar protegido de las heladas.

### **Desmontar la barra de empuje**

Para ahorrar espacio al transportar y almacenar la barra de empuje, se puede desmontar.

- Desbloquear el mango en estrella de la posición de transporte.
- Girar la barra de empuje totalmente hacia delante.
- Ajustar el mango en estrella.

### **Transporte**

#### **PRECAUCIÓN**

¡Peligro de lesiones y daños! Respetar el peso del aparato para el transporte.

- Al transportar en vehículos, asegurar el aparato para evitar que resbale y vuelque conforme a las directrices vigentes.

### **Puesta fuera de servicio**

- Cargar totalmente la batería si el equipo no se va a utilizar durante varias semanas.
- Colocar el interruptor principal en la posición "0".

#### **CUIDADO**

*Peligro de daños en la batería por descarga total.*

*Colocar el interruptor del equipo en "0" durante la pausa de funcionamiento.*

### **Almacenamiento**

#### **PRECAUCIÓN**

¡Peligro de lesiones y daños! Respetar el peso del aparato en el almacenamiento.

Este aparato sólo se puede almacenar en interiores.

### **Cuidados y mantenimiento**

#### **⚠ PELIGRO**

Peligro de lesiones. Antes de realizar cualquier tipo de trabajo en el aparato colocar el interruptor a "0" y desenchufar el cargador.

#### **CUIDADO**

Si se sale agua se puede dañar el aparato. Purgar el agua sucia y el resto de agua limpia antes de trabajar en el aparato.

- Coloque el dispositivo sobre una superficie plana.

### **Plan de mantenimiento**

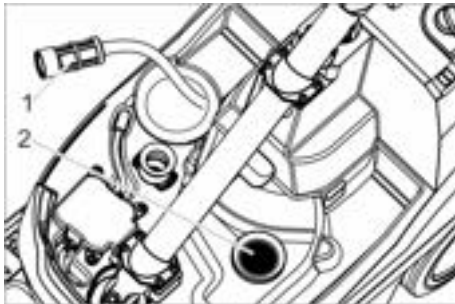
#### **Después del trabajo**

#### **CUIDADO**

Peligro de daños en la instalación. No salpique al aparato con agua ni utilice detergentes agresivos.

- Purgue el agua sucia.
- Extraiga la tapa del depósito de agua sucia y enjuague el interior de la tapa y el flotador con agua.
- Aclare el depósito de agua sucia con agua limpia.
- Limpiar la barra de aspiración.
- Limpie el aparato por fuera con un trapo húmedo ligeramente empapado en una solución jabonosa suave.
- Limpie los labios de aspiración; compruebe si presentan desgaste y, en caso necesario, reemplácelos.
- Limpieza del cepillo.
- Compruebe si los cepillos presentan desgaste y, en caso necesario, cámbielos (véase "Trabajos de mantenimiento").
- Si es necesario recargar la batería.

## Todas las semanas



- 1 Filtro de agua limpia
- 2 Filtro de pelusas

- Limpiar el filtro de agua limpia.
- Limpiar el filtro de pelusas.

## Mensualmente

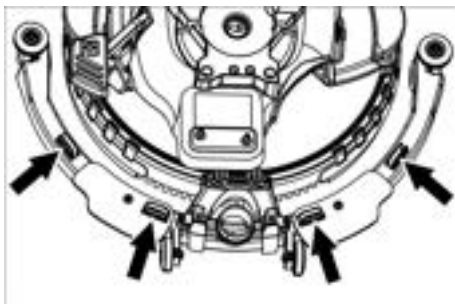
- Compruebe el estado de las juntas situadas entre el depósito de agua sucia y la tapa y, en caso necesario, cámbielas.

## Anualmente

- Encargue al servicio técnico la revisión anual obligatoria.

## Trabajos de mantenimiento

### Recambio de los labios de aspiración



- Presionar los elementos de fijación y tirar hacia abajo de los racores de aspiración fuera de la barra de aspiración.



- Tirar de los racores de aspiración por el soporte.

### Nota:

Los racores de aspiración tienen un patrón de orificios para evitar confusiones. No se pueden dar la vuelta y volver a colocarlos.

- Cambiar los racores de aspiración.
- Colocar y encajar el soporte con los racores de aspiración en la barra de aspiración.

### Recambio del cepillo

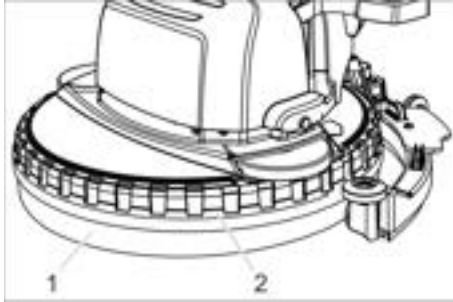
- Vaciado del depósito de agua limpia
- Extraer el depósito de agua sucia.
- Inclinar hacia atrás el aparato y colocar sobre el estribo de empuje.



- Gire el cepillo en sentido contrario a las agujas del reloj y extráigala.
- Colocar otro cepillo y girar en el sentido de las agujas del reloj.

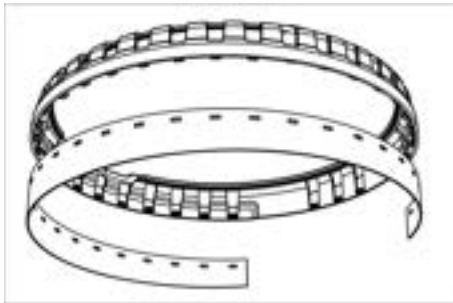


## Cambiar la protección contra salpicaduras.



- 1 Protección contra salpicaduras
- 2 Anillo de sujeción

→ Extraer el anillo de sujeción con la protección antisalpicaduras hacia arriba para sacarlo del cabezal de limpieza.



- Soltar la protección antisalpicaduras desgastada del anillo de sujeción y eliminarla.
- Presionar la nueva protección antisalpicaduras contra la chapa del anillo de sujeción.
- Colocar el anillo de sujeción con protección antisalpicaduras en el cabezal de limpieza.

## Contrato de mantenimiento

Para garantizar el funcionamiento seguro del aparato, es posible firmar contratos de mantenimiento con el departamento comercial correspondiente de Kärcher.

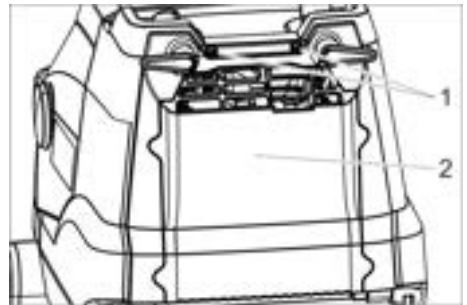
## Eliminación de desechos

### Desmontar la batería

#### ⚠ PELIGRO

Solo el servicio técnico de Kärcher u otro técnico puede desmontar la batería.

Un técnico autorizado se encarga de evaluar si la batería está dañada. Es imprescindible respetar el capítulo "Indicaciones de seguridad" sobre la manipulación de las baterías.



- 1 Tornillo
- 2 Tapa

- Desatornillar los 2 tornillos.
- Girar la tapa hacia abajo.
- Aflojar y quitar la clavija de la batería.
- Extraer la batería.
- Eliminar la batería usada de acuerdo con las normativas vigentes.

## Averías

### **⚠ PELIGRO**

Peligro de lesiones. Antes de realizar cualquier tipo de trabajo en el aparato colocar el interruptor a "0" y desenchufar el cargador.

### **⚠ CUIDADO**

Si se sale agua se puede dañar el aparato. Purgar el agua sucia y el resto de agua limpia antes de trabajar en el aparato.

Cuando las averías no se puedan solucionar con ayuda de la tabla que aparece a continuación, acuda al servicio técnico.

<b>Avería</b>	<b>Modo de subsanarla</b>
No se puede poner en marcha el aparato	Conectar el interruptor del aparato, esperar 3 segundos, comprobar el estado de carga de la batería.
Caudal de agua insuficiente	Compruebe el nivel de agua limpia y, de ser necesario, llene el depósito.
	Conecte el interruptor de solución de detergente.
	Abrir la dosificación de solución detergente.
	Limpieza el filtro de agua limpia.
Potencia de aspiración insuficiente	Baje la barra de aspiración.
	Vacíe el depósito de agua sucia.
	Limpieza las juntas situadas entre el depósito de agua sucia y la tapa; compruebe su estanqueidad y, en caso necesario, cámbielas
	Limpieza los labios de aspiración de la barra de aspiración y, en caso necesario, girar o cambiar
	Compruebe si la manguera y la barra de aspiración está obstruida y, de ser necesario, desatásquela
Compruebe si el tubo de aspiración está hermética y, en caso necesario, cámbielo.	
Resultados de limpieza insuficientes	Compruebe que el tipo de cepillo y el detergente son adecuados.
	Compruebe si los cepillos presentan desgaste y, en caso necesario, cámbielos.
Los cepillos no giran	Tirar del interruptor de seguridad hacia el volante.
	Comprobar si el cepillo está bloqueado por un cuerpo extraño, extraer el objeto extraño.
	Desconecte el interruptor del accionamiento de cepillos, espere un poco y vuelva a conectarlo.

## Accesorios

En función de la tarea de limpieza de que se desee realizar, es posible dotar al aparato de distintos accesorios. Solicite nuestro catálogo o visítenos en la página de internet [www.kaercher.com](http://www.kaercher.com).

denominación	No. de pieza	Descripción
Cepillo de disco, blanco	6.907-154.0	Para pulido y limpieza de mantenimiento de pavimentos delicados.
Escobilla de disco, rojo (medio, estándar)	6.907-151.0	Para limpiar pavimentos de poca suciedad o delicados.
Cepillo de disco, negro (duro)	6.907-152.0	Para limpiar pavimentos extremadamente sucios.
Escobilla de disco, natural (suave)	6.907-153.0	Para pulir pavimentos.
Discos porta-almohadillas limpiadoras	6.907-150.0	Para alojamiento del pad.
Almohadilla, microfibras	6.905-060.0	Ideal para la limpieza de linóleo y suelos de gres.
Almohadilla, negro	6.369-001.0	Limpieza básica de PVC, vinilo, capas de resina sintética, mármol oscuro, granito, terrazzo, pulido liso.
Almohadilla, verde	6.369-002.0	Limpieza de mantenimiento de todos los suelos resistentes al agua.
Almohadilla, rojo	6.369-003.0	Limpieza básica de linóleo, azulejos, baldosas, glaseado, grés cerámico.
Almohadilla diamantada, blanco	6.371-250.0	Para pulir pavimentos.
Almohadilla diamantada, amarillo	6.371-251.0	Para eliminar arañazos pequeños.
Almohadilla diamantada, verde	6.371-235.0	Para limpiar pavimentos extremadamente sucios.
Manguera de llenado	6.680-124.0	Para llenar el depósito de agua fresca
Set de racores de aspiración	4.037-059.0	Como recambio
Barra de aspiración	4.037-067.0	Como recambio

## Datos técnicos

### Potencia

Tensión nominal	V	25,9
Capacidad de batería	Ah (5h)	22
Tipo de batería		Li-Iones
Consumo medio de potencia	W	500
Potencia del motor de aspiración	W	280
Potencia del motor de barrido	W	260
Rango de temperatura de servicio	°C	0...40

### Aspirar

Potencia de aspiración, caudal de aire	l/s	20
Potencia de aspiración, depresión	kPa	8

### Cepillos de limpieza

Anchura de trabajo	mm	380
Diámetro cepillos	mm	380
Nº de rotaciones de los cepillos	1/min	180

### Cargador

Tensión	V/Hz	110-120 / 50/60
Consumo de corriente	A	4

### Medidas y pesos

Potencia teórica por metro cuadrado	m <sup>2</sup> /h	1520
Volumen de los depósitos de agua limpia y agua sucia	l	12
Peso total admisible	kg	48
Peso de transporte	kg	36
Longitud x anchura x altura	mm	940x500x1100

### Valores calculados conforme a la norma EN 60335-2-72

Valor total de oscilación	m/s <sup>2</sup>	<2,5
Inseguridad K	m/s <sup>2</sup>	0,2
Nivel de presión acústica L <sub>pA</sub>	dB(A)	65
Inseguridad K <sub>pA</sub>	dB(A)	2
Nivel de potencia acústica L <sub>WA</sub> + inseguridad K <sub>WA</sub>	dB(A)	85

## **Garantía**

En todos los países rigen las condiciones de garantía establecidas por nuestra empresa distribuidora. Las averías del accesorio serán subsanadas gratuitamente dentro del periodo de garantía, siempre que se deban a defectos de material o de fabricación. En un caso de garantía, le rogamos que se dirija con el comprobante de compra al distribuidor donde adquirió el aparato o al servicio al cliente autorizado más próximo a su domicilio.

## **Accesorios y piezas de repuesto**

Utilice solamente accesorios y recambios originales, ya que garantizan un funcionamiento correcto y seguro del equipo.

Puede encontrar información acerca de los accesorios y recambios en [www.kaercher.com](http://www.kaercher.com).







**THANK YOU!**  
**MERCI! DANKE! ¡GRACIAS!**



Registrieren Sie Ihr Produkt und profitieren Sie von vielen Vorteilen.

Register your product and benefit from many advantages.

Enregistrez votre produit et bénéficiez de nombreux avantages.

Registre su producto y aproveche de muchas ventajas.

**[www.kaercher.com/welcome](http://www.kaercher.com/welcome)**



Bewerten Sie Ihr Produkt und sagen Sie uns Ihre Meinung.

Rate your product and tell us your opinion.

Évaluer votre produit et dites-nous votre opinion.

Reseñe su producto y díganos su opinión.



**[www.kaercher.com/dealersearch](http://www.kaercher.com/dealersearch)**

**Alfred Kärcher SE & Co. KG**  
Alfred-Kärcher-Str. 28-40  
71364 Winnenden (Germany)  
Tel.: +49 7195 14-0  
Fax: +49 7195 14-2212

