

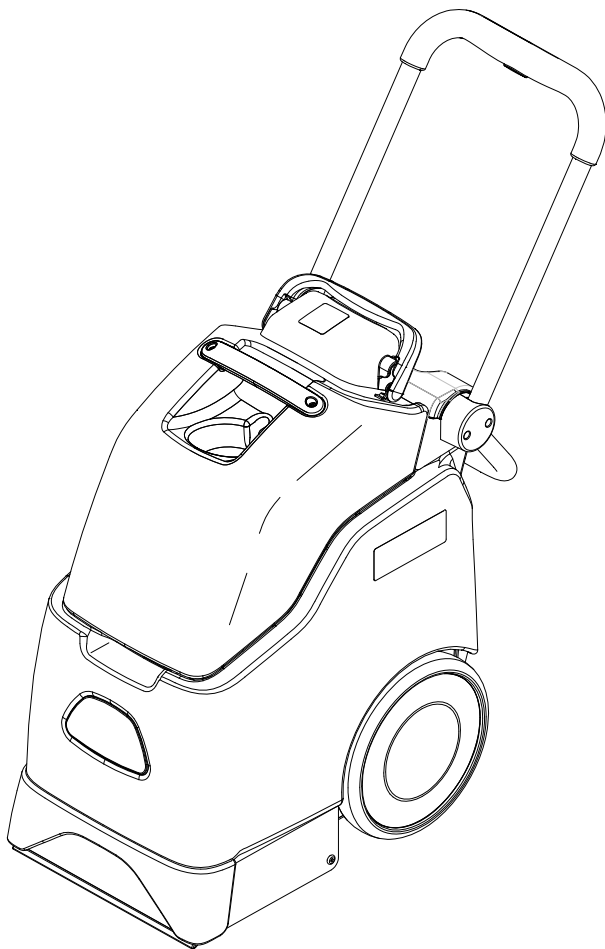
KÄRCHER

makes a difference

BRC 30/15 C

English

02



**Register
your product**
www.kaercher.com/welcome



86348550-N 09/11/19

Machine Data Label

Model:	_____
Date of Purchase:	_____
Serial Number:	_____
Dealer:	_____
Address:	_____
Phone Number:	_____
Sales Representative:	_____

Overview

The carpet extractor is a mains powered, portable extractor intended for commercial use. The appliance sprays a cleaning solution onto the carpet, agitates the wet carpet, and then extracts the soiled solution back into the unit's recovery tank. The appliance can be fitted with an accessory tool for cleaning upholstery and stairs.

MODELS:

BRC 30/15 C
1.008-058.0

BRC 30/15 C *JP
1.008-055.0

BRC 30/15 C HD
1.008-657.0

Warranty Registration

Thank you for purchasing a Kärcher North America product. Warranty registration is quick and easy. Your registration will allow us to serve you better over the lifetime of the product.

To register your product go to :
<http://warranty.karcherna.com/>

For customer assistance:
1-800-444-7654

KÄRCHER

Machine Data Label **2**
 Overview 2
Table of Contents **3**
How To Use This Manual **4**

Safety

IMPORTANT SAFETY INSTRUCTIONS 5
CONSIGNES DE SÉCURITÉ IMPORTANTES . . 6
HAZARD INTENSITY LEVEL 7
NIVEAU D'INTENSITÉ DU DANGER 8
Grounding Instructions 9
Safety Label Location 10

Operations

Technical Specifications 11
Inspection 12
Chemicals 12
Controls & Components 13
Filling The Solution Tank 14
Operating The Machine 15
Operating Machine With Accessory Tools 16

Maintenance

Protect From Freezing 17
Daily Regular Maintenance 17
Periodic Maintenance 17
Maintenance Instructions 18
Brush Assembly 18
Spray Jet 18
Brush Motor Removal 19
Pump Removal 19
Vacuum Motor Removal 20
Troubleshooting 21

PARTS

Brush Deck 24
Control Panel 26
Decal 28
Handle 32
Solution 1 34
Solution 2 36
Tank & Dome 38
Vacuum 40
Wiring Diagram - Vacuum, Brush Motor & Pump 44
Hose Diagram 46
Suggested Spare Parts 47

How To Use This Manual

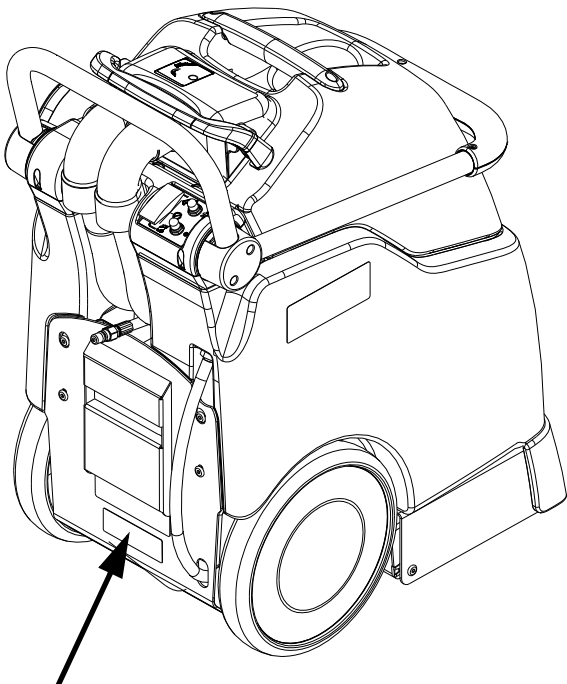
This manual contains the following sections:

- HOW TO USE THIS MANUAL
- SAFETY
- OPERATIONS
- MAINTENANCE
- PARTS LIST

The HOW TO USE THIS MANUAL section will tell you how to find important information for ordering correct repair parts.

Parts may be ordered from authorized dealers. When placing an order for parts, the machine model and machine serial number are important. Refer to the MACHINE DATA box which is filled out during the installation of your machine. The MACHINE DATA box is located on the inside of the front cover of this manual.

The model and serial number of your machine is located on the lower back panel.



The SAFETY section contains important information regarding hazardous or unsafe practices of the machine. Levels of hazards are identified that could result in product damage, personal injury, or severe injury resulting in death.

The OPERATIONS section is to familiarize the operator with the operation and function of the machine.

The MAINTENANCE section contains preventive maintenance to keep the machine and its components in good working condition. They are listed in this general order:

- Periodic
- Daily/Regular
- Troubleshooting

The PARTS LIST section contains assembled parts illustrations and corresponding parts list. The parts lists include a number of columns of information:

- **REF** - column refers to the reference number on the parts illustration.
- **PART NO.** - column lists the part number for the part.
- **PRV NO.** - Reference number.
- **QTY** - column lists the quantity of the part used in that area of the machine.
- **DESCRIPTION** - column is a brief description of the part.
- **SERIAL NO. FROM** - column indicates the first machine the part number is applicable to. When the machine design has changed, this column will indicate serial number of applicable machine. The main illustration shows the most current design of the machine. The boxed illustrations show older designs. If column has an asterisk (*), call manufacturer for serial number.
- **NOTES** - column for information not noted by the other columns.

NOTE: If a service or option kit is installed on your machine, be sure to keep the KIT INSTRUCTIONS which came with the kit. It contains replacement parts numbers needed for ordering future parts.

NOTE: The manual part number is located on the lower left corner of the front cover.

IMPORTANT SAFETY INSTRUCTIONS

**When using this machine, basic precaution must always be followed, including the following:
READ ALL INSTRUCTIONS BEFORE USING THIS MACHINE.**

⚠ WARNING: To reduce the risk of fire, electric shock, or injury:

Connect to a properly grounded outlet. See Grounding Instructions.

Do not leave the machine unattended. Unplug machine from outlet when not in use and before maintenance or service.

Use only indoors. Do not use outdoors or expose to rain.

Do not allow machine to be used as a toy. Close attention is necessary when used by or near children.

Use only as described in this manual. Use only manufacturer's recommended components and attachments.

Do not use damaged electrical cord or plug. Follow all instructions in this manual concerning grounding the machine. If the machine is not working properly, has been dropped, damaged, left outdoors, or dropped into water, return it to an authorized service center.

Do not pull or carry machine by electrical cord, use as a handle, close a door on cord, or pull cord around sharp edges or corners.

Do not run machine over cord. Keep cord away from heated surfaces.

Do not unplug machine by pulling on cord. To unplug, grasp the electrical plug, not the electrical cord.

Do not handle the electrical plug or machine with wet hands.

Do not operate the machine with any openings blocked. Keep openings free of debris that may reduce airflow.

This machine is intended for cleaning carpet only.

Do not vacuum anything that is burning or smoking, such as cigarettes, matches, or hot ashes.

This machine is not suitable for picking up health endangering dust.

Turn off all controls before unplugging.

Do not operate this machine near flammable fluids, dust or vapors.

This machine is suitable for commercial use, for example in hotels, schools, hospitals, factories, shops and offices for more than normal housekeeping purposes.

Maintenance and repairs must be done by qualified personnel.

If foam or liquid comes out of machine, switch off immediately.

READ AND SAVE THESE INSTRUCTIONS

CONSIGNES DE SÉCURITÉ IMPORTANTES

**Lors de l'utilisation de cette machine, des précautions de base doivent toujours être prises, y compris les précautions suivantes :
LIRE TOUTES LES INSTRUCTIONS AVANT D'UTILISER CETTE MACHINE.**

▲ AVERTISSEMENT:

Pour réduire le risque d'incendie, d'électrocution ou de blessure :

Raccordez l'appareil à une prise adéquatement reliée à la terre. Voir les Consignes de mise à la terre.

Ne laissez pas l'appareil sans surveillance lorsqu'il est branché. Débranchez l'appareil lorsqu'il n'est pas utilisé et avant tout entretien.

Utilisez-le exclusivement dans des endroits fermés. Ne l'utilisez pas en plein air et ne le laissez pas sous la pluie.

Ne pas permettre aux enfants de jouer avec l'appareil. Durant la manoeuvre de la machine, prendre garde aux personnes environnantes et notamment aux enfants.

Utilisez-le exclusivement de la manière décrite dans ce manuel. Utilisez exclusivement les composants et les fixations recommandés par le fabricant.

N'utilisez pas l'appareil si le cordon ou la fiche est endommagé(e). Observez toutes les consignes figurant dans ce manuel au sujet de la mise à la terre de l'appareil. Si l'appareil ne fonctionne pas correctement, s'il est tombé par terre, s'il est endommagé, s'il a été laissé dehors ou s'il a été plongé dans l'eau, veuillez le renvoyer à un centre d'entretien agréé.

Ne tirez pas sur le cordon, ne portez pas l'appareil par le cordon, n'utilisez pas le cordon comme poignée, ne fermez pas une porte sur le cordon, ne tirez pas sur le cordon dans des angles ou des coins pointus.

Ne faites pas passer l'appareil par-dessus le cordon. Maintenez le cordon à l'écart de surfaces chauffées..

Ne débranchez pas l'appareil en tirant sur le cordon. Pour le débrancher, empoignez la fiche, non pas le cordon.

Ne manipulez pas la fiche ou l'appareil les mains mouillées.

Ne faites pas fonctionner l'appareil si des ouvertures sont bouchées. Dégagez des ouvertures tous débris susceptibles d'entraver le passage de l'air.

Cette machine est destinée pour nettoyer le tapis seulement.

Ne pas ramasser quelque chose qui brûle ou fume, comme des cigarettes, des allumettes ou des cendres chaudes.

Cet appareil n'est pas conçu pour aspirer des poussières dangereuses.

Arrêtez toutes les commandes avant le débranchement.

Ne faites pas fonctionner cet appareil à proximité de fluides, de poussières ou de vapeurs inflammables.

Cet appareil est adapté à un usage commercial : par exemple dans les hôtels, les établissements scolaires, les hôpitaux, les usines, les magasins et les bureaux, à des fins plus étendues qu'un simple entretien de la maison.

Les travaux de maintenance et de réparation doivent absolument être effectués par du personnel qualifié.

Si de la mousse ou du liquide s'échappe de la machine, éteignez-la immédiatement.

CONSERVEZ CES CONSIGNES

The following symbols are used throughout this guide as indicated in their descriptions:

HAZARD INTENSITY LEVEL

There are three levels of hazard intensity identified by signal words **-WARNING** and **CAUTION** and **FOR SAFETY**. The level of hazard intensity is determined by the following definitions:



WARNING - Hazards or unsafe practices which COULD result in severe personal injury or death.



CAUTION - Hazards or unsafe practices which could result in minor personal injury or product or property damage.

FOR SAFETY: To Identify actions which must be followed for safe operation of equipment.

Report machine damage or faulty operation immediately. Do not use the machine if it is not in proper operating condition. Following is information that signals some potentially dangerous conditions to the operator or the equipment. Read this information carefully. Know when these conditions can exist. Locate all safety devices on the machine. Please take the necessary steps to train the machine operating personnel.

FOR SAFETY:

DO NOT OPERATE MACHINE:

Unless Trained and Authorized.

Unless Operation Guide is Read and understood.

In Flammable or Explosive areas.

In areas with possible falling objects

WHEN SERVICING MACHINE:

Avoid moving parts. Do not wear loose clothing; jackets, shirts, or sleeves when working on the machine. Use manufacturer approved replacement parts.

Les symboles suivants sont utilisés dans tout ce manuel, tels que décrits ici:

NIVEAU D'INTENSITÉ DU DANGER

Il existe trois niveaux d'intensité du danger, identifiés par des termes d'avertissement - **AVERTISSEMENT**, **ATTENTION** et **POUR VOTRE SÉCURITÉ**. Le niveau d'intensité du danger est déterminé par les définitions suivantes :

AVERTISSEMENT:

AVERTISSEMENT - Les dangers ou des pratiques contraires à la sécurité qui **POURRAIENT** entraîner des blessures personnelles ou la mort.

ATTENTION:

ATTENTION - Les dangers ou des pratiques contraires à la sécurité qui pourraient entraîner des blessures personnelles légères ou des dégâts sur le produit ou d'autres biens.

POUR DES RAISONS DE SÉCURITÉ : Pour identifier les actions qui doivent être exécutées pour un fonctionnement sûr de l'équipement.

Signaler immédiatement tout dommage subi par la machine ou fonctionnement défectueux. Ne pas utiliser la machine si elle ne fonctionne pas correctement. Ci-dessous se trouvent les informations indiquant les conditions potentiellement dangereuses pour l'opérateur ou l'équipement. Lire attentivement ces informations. Être conscient que ces conditions peuvent survenir. Repérer tous les dispositifs de sécurité sur la machine. Suivre les étapes nécessaires de formation du personnel qui utilise la machine.

POUR DES RAISONS DE SÉCURITÉ :

NE PAS FAIRE FONCTIONNER LA MACHINE :

Sauf si le personnel est formé et autorisé.

Sauf si le manuel d'utilisation est lu et compris.

Dans des zones inflammables ou explosives.

Dans des zones contenant des objets susceptibles de tomber

LORS DE L'ENTRETIEN DE LA MACHINE :

Éviter les pièces mobiles. Ne pas porter de vêtements, vestes, chemises ou manches vagues lors de l'entretien de la machine. Utiliser les pièces de rechange approuvées par le fabricant.

THIS PRODUCT IS FOR COMMERCIAL USE ONLY.

Electrical

In the USA this machine operates on a standard 15 amp 120V, 60 hz, A.C. power circuit. The amp, hertz, and voltage are listed on the data label found on each machine. Using voltages above or below those indicated on the data label will cause serious damage to the motors.

Extension Cords

If an extension cord is used, the wire size must be at least one size larger than the power cord on the machine, and must be limited to 50 feet (15.5m) in length.

Grounding Instructions

This appliance must be grounded. If it should malfunction or break down, grounding provides a path of least resistance for electric current to reduce the risk of electric shock. This appliance is equipped with a cord having an equipment-grounding conductor and grounding plug. The plug must be inserted into an appropriate outlet that is properly installed and grounded in accordance with all local codes and ordinances.

120 Volt Models

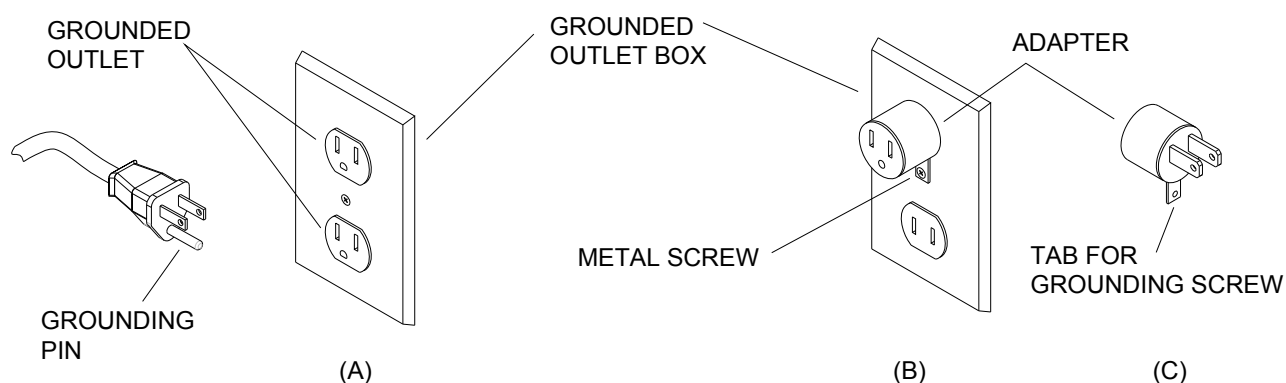
This appliance is for use on a nominal 120-volt circuit, and has a grounded plug that looks like the plug in "Fig. A". A temporary adaptor that looks like the adaptor in "Fig. C" may be used to connect this plug to a 2-pole receptacle as shown in "Fig. B", if a properly grounded outlet is not available. The temporary adaptor should be used only until a properly grounded outlet (Fig. A) can be installed by a qualified electrician. The green colored rigid ear, lug, or wire extending from the adaptor must be connected to a permanent ground such as a properly grounded outlet box cover. Whenever the adaptor is used, it must be held in place by a metal screw.

⚠ WARNING:

Improper connection of the equipment-grounding conductor can result in a risk of electric shock. Check with a qualified electrician or service person if you are in doubt as to whether the outlet is properly grounded. Do not modify the plug provided with the appliance - if it will not fit the outlet, have a proper outlet installed by a qualified electrician.

⚠ AVERTISSEMENT:

Le raccordement incorrect du conducteur de terre d'équipement peut entraîner des risques d'électrocution. Vérifiez auprès d'un électricien qualifié ou d'un responsable de l'entretien si vous avez quelque doute que ce soit quant au raccordement à la terre de votre prise murale. Ne modifiez pas la fiche fournie avec l'appareil: si elle ne correspond pas à la prise murale, faites installer une prise adéquate par un électricien qualifié.



Safety

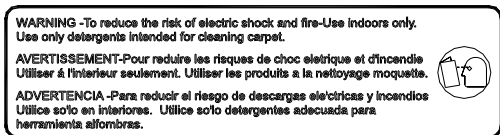
Safety Label Location

The following **WARNING LABEL(S)** are found on your cleaning unit. These labels point out important Warnings and Cautions which should be followed at all times. Failure to follow warnings and cautions could result in fatality, personal injury to yourself and/or others, or property damage. Follow these instructions carefully! **DO NOT** remove these labels.

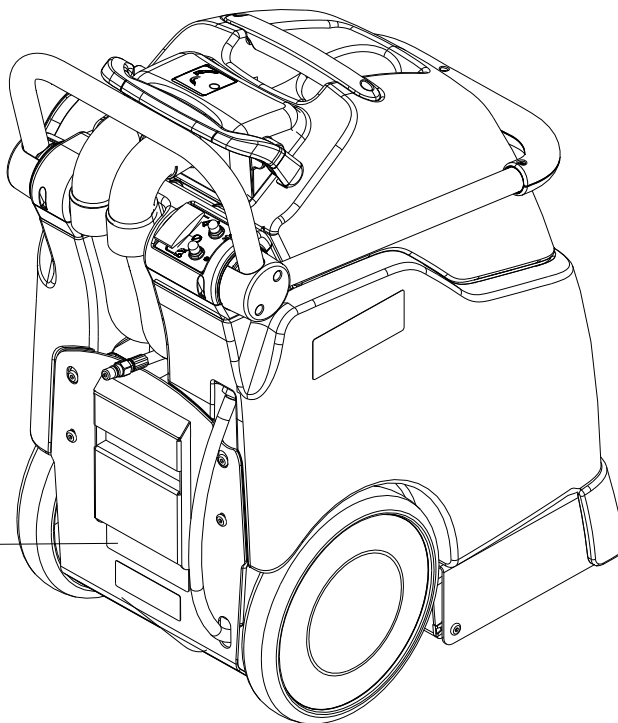
NOTE: If at any time the labels become illegible, promptly replace them.

Les **Étiquettes D'avertissement** suivantes se trouvent sur votre unité de nettoyage. Ces étiquettes signalent les avertissements et mises en garde importantes qui doivent être suivis en tout temps. Le non respect des avertissements et mises en garde pourrait entraîner des dommages matériels, des blessures graves ou même la mort. Suivez attentivement ces instructions ! **NE PAS** retirer ces étiquettes.

REMARQUE : Si, à tout moment, les étiquettes deviennent illisibles, remplacez-les rapidement.

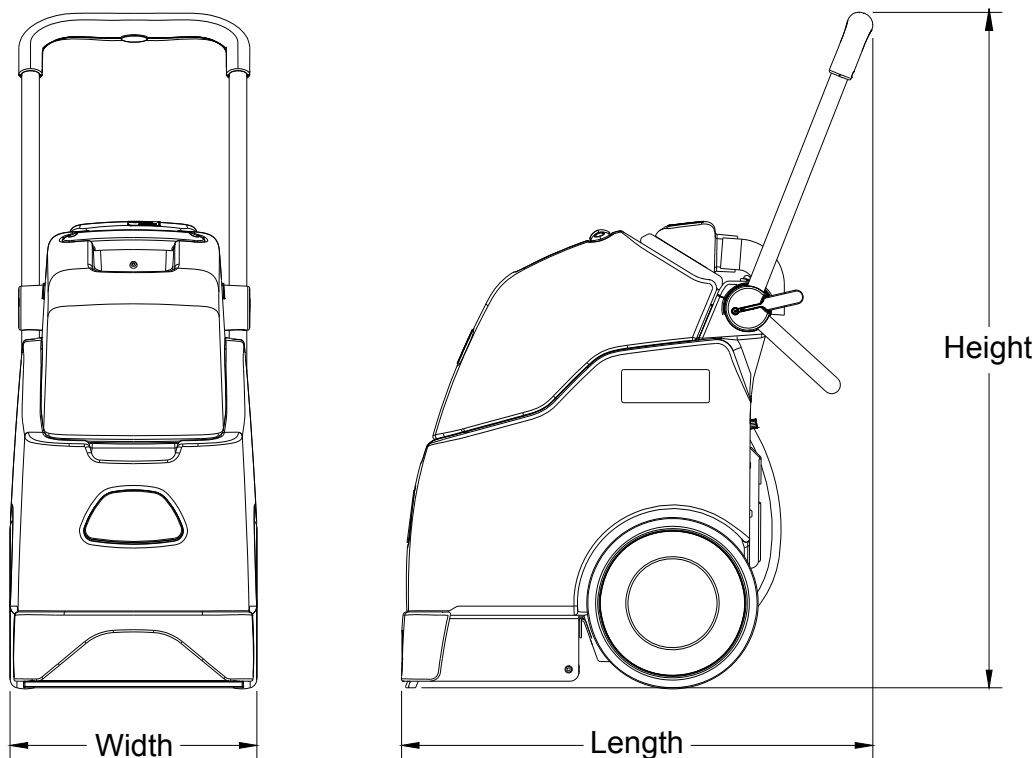


WARNING LABEL
PART NUMBER 86220140



Technical Specifications

ITEM	MEASURE
Vacuum Motor	(1) 3 stage, 1.5hp 100 cfm (2.8cubic meters/min.) Waterlift - 120" (305cm)
Floating Brush	10" (25.4cm)
Main Jet Solution Pump	Solenoid Style
Accessory Solution Pump	Solenoid Style
Solution Capacity	4.6 Gal (17.3L)
Recovery Capacity	3.9 Gal (14.7L)
Brush Speed	1160 rpm
Wheels	(2) 10" dia. (25cm) by 2" (5cm)
Vacuum Shoe	12" (30.48cm) cast aluminum
Solution Spray	1 quick change jet
Power cord	25' (7.6m) (14 gauge)
Height	39 inches (100cm) (Handle adjusted to highest position)
Length	27 inches (69cm) (Handle adjusted to highest position)
Width	14 inches (36cm)
Weight	75 lbs. (34kg)
Electrical	115V, 15A, 60Hz



Operations

⚠ WARNING:

To avoid electric shock use indoors only. To reduce risk of fire, do not use volatile substances. Use only cleaners intended for carpet application.

⚠ AVERTISSEMENT:

Pour éviter une électrocution, utilisez la machine à l'intérieur seulement. Pour réduire les risques d'incendie, n'utilisez pas de substances volatiles. Utilisez seulement des nettoyeurs destinés à être appliqués sur les tapis.

Inspection

Carefully unpack and inspect your extractor for shipping damage. Each unit is operated and thoroughly inspected before shipping, and any damage is the responsibility of the carrier, who should be notified immediately.

⚠ CAUTION:

To avoid possible distortion of polyethylene solution/recovery tanks, DO NOT USE WATER TEMPERATURE THAT EXCEEDS 140°F (60° C).

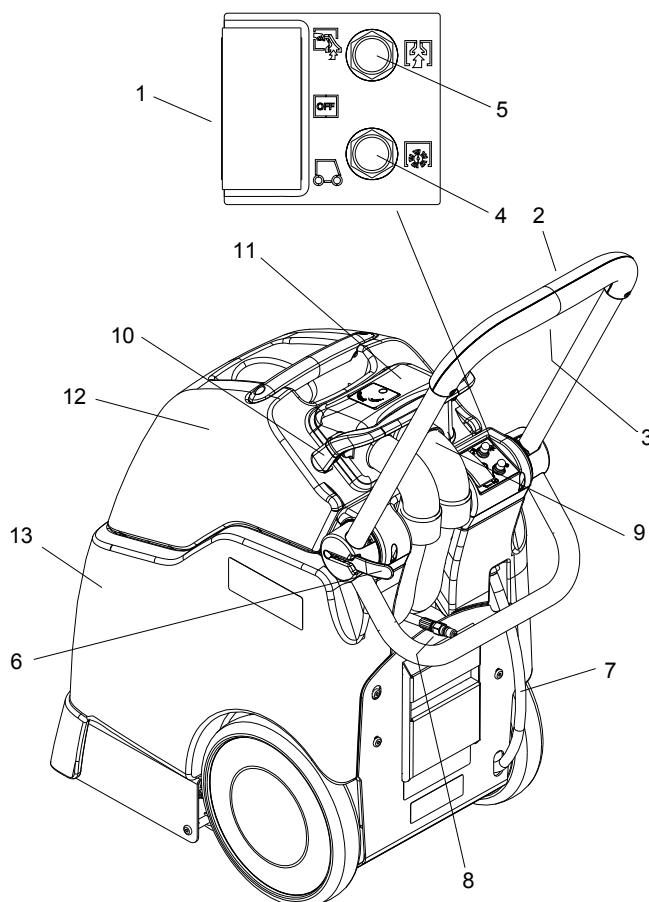
⚠ ATTENTION:

Pour éviter toute distorsion possible aux réservoirs de récupération /de la solution de polyéthylène, N'UTILISEZ PAS D'EAU DONT LA TEMPÉRATURE DÉPASSE 60° C (140° F).

Chemicals

Use only the suitable chemicals listed below. Using incompatible chemicals will damage the machine. Damages of this type are not covered under warranty. Carefully read ingredients on manufacturer's label before using any product in this machine.

Suitable Chemicals	Incompatible Chemicals
Alkalis	Aldehydes; Butyls
Defoaming Agents	Carbon Tetrachloride
Detergents	Chlorinated Bleaches
Soaps	Chlorinated Hydrocarbons
Vinegar	Trichlorethylene
Hydroxides	Phenols; Methyls (MEK)
	Perchloroethylene (perc)
	Aromatic Hydrocarbons
	D-Limonene



Controls & Components

1. Power and Operation Mode Switch

Turns accessory tool on or machine on.

2. Main Handle

3. Solution Button

Sprays solution on floor when pressed.

4. Brush Motor Circuit Breaker

Protects brush motor from overheating.

5. Vac Motor Circuit Breaker

Protects the vac motor from overheating

6. Handle Adjustment Lever

Adjusts handle position.

7. Solution Tank Drain Hose

8. Accessory Tool Connection

Solution connection for accessory tools.

9. Accessory Hose Connection

Hose connection for accessory tool.

10. Dome Clamp

11. Dome

12. Recovery Tank

13. Solution Tank

Operation

Filling The Solution Tank

1. Release dome clamp.



2. Lift upper recovery tank from machine and set aside.



3. Use a clean bucket, recovery tank or hose to fill solution tank with hot water. The solution tank holds 4 gallons (15.2 liters) of cleaning solution.

Add a non-foaming concentrate for use in hot water extractors at the proportions noted on the container.



NOTE: Periodically operate the extractor with only hot water to remove chemical residue in carpet.

To avoid possible distortion of the polyethylenesolution/recovery tanks, DO NOT USE WATER WITH A TEMPERATURE THAT EXCEEDS 140°F(60°C).

4. Place recovery tank back on machine.

Place dome on recovery tank. Make sure dome is seated correctly to ensure proper vacuum seal. Clamp dome securely to recovery tank.



Use only the suitable chemicals listed in the Chemical Section. Using incompatible chemicals will damage the machine. Carefully read ingredients on manufacturer's label before using any product in this machine.

SPECIAL NOTES:

This appliance is not intended for use by persons (including children) with reduced physical, sensory or mental capabilities, or lack of experience and knowledge, unless they have been given supervision or instruction concerning use of the appliance by a person responsible for their safety. Children should be supervised to ensure that they do not play with the appliance.

The sound pressure level at the operator's ear was measured to be 73.7 dBA. This was a nearfield, broad-band measurement taken in a typical industrial environment on a tile floor. This appliance contains no possible source of impact noise. The instantaneous sound pressure level is below 63 Pa.

The weighted root mean square acceleration at the operator's arms was measured to be below 2.5m/s². This was a tri-axial, third-octave-band measurement made during normal operation on a composite tile floor. The measurement and related calculations were made in accordance with ISO 5349-1.

Operating The Machine

1. Vacuum the carpet and make sure it is cleared of surface debris before cleaning.
2. Plug power cord into a grounded wall outlet.

NOTE: Defeating the grounding pin on the power cord can result in a severe electrical shock.



3. Turn on the machine by pressing the switch in the normal operation mode.



NOTE: The vacuum and the brush are protected by circuit breakers located on the control panel, to the right of the switch.

NOTE: If either motor does not respond to being switched on, reset the circuit breakers by pressing them in, and attempt to switch the machine on again.

NOTE: If solution does not dispense in an even pattern across the width of the machine, the spray jet may be clogged. Tilt the machine back, check for debris and clean surface of jet.

NOTE: Do not use pins, wire, etc. to clean spray jet nozzle as this will deform the jet and destroy the spray pattern.

4. To operate the machine, pull straight back without pushing down on handle. Press the solution spray button to apply cleaning solution.



5. While operating machine, check for excessive foam buildup in the recovery tank. If excessive foam is present, add a defoamer solution to recovery tank, or empty tank.



6. Empty recovery tank when approximately 3/4 full. If the recovery tank is overfilled, the water will drain back onto the carpet when the vacuum is switched off.



7. Ventilate area after carpet has been cleaned. Keep children and pets away and do not walk on carpet until it is dry.

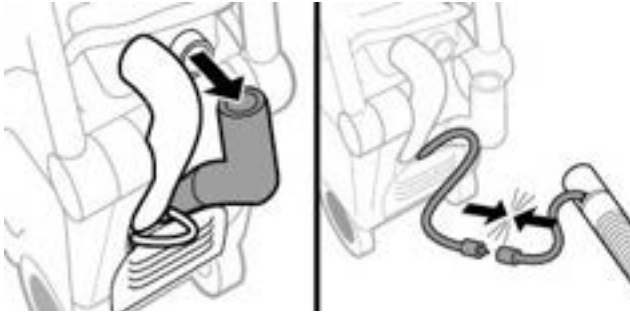
A Windblower™ fan can be used to reduce drying time.

Operation

Operating Machine With Accessory Tools

This extractor is easily adapted for use with accessory tools: Contact Customer Service for details.

1. Disconnect vacuum hose at dome, insert hose cuff into the dome, ensuring that there is a tight fit. Dome must be clamped to recovery tank.



2. Attach the solution hose from accessory tool to the brass solution fitting on the back of machine.



3. Turn on the switch in the accessory position. The application of cleaning solution is now controlled by the lever on the accessory tool.



NOTE: The solution pump is not intended to run dry. When using the extractor for vacuum pick-up only. Do not press the solution spray button.

⚠ CAUTION:

This appliance is not suitable for picking up hazardous dust.

⚠ ATTENTION:

Cet appareil n'est pas conçu pour aspirer des poussières dangereuses.

Protect From Freezing

If it becomes necessary to store in temperatures that could drop below 40°F, the pumping system, hoses and valves must be protected from freezing with a methyl hydrate window washer antifreeze solution.

NOTE: Do not use ethylene glycol or cooling system antifreezes.

1. Add one gallon of window washer antifreeze to the supply tank.
2. Turn on pump switch and spray until the anti-freeze solution fills the solution lines.
3. Drain the leftover antifreeze from the supply tank. Always allow the unit to reach room temperature before filling with hot water or operating.
4. Before operation be sure to flush system completely. Failure to do so after winterizing machine will damage carpet.

Daily Regular Maintenance

Before making any adjustments or repairs to the machine, disconnect the power cord from the electrical source.

1. Empty unused cleaning solution from the solution tank.
2. Inspect and clean filter at solution tank fill port and at the vacuum intake port in the dome.
3. Flush pumping system with 1 to 2 gallons of clean, hot water.
4. Check spray jet for full spray pattern.
5. Empty the recovery tank and rinse with clean water.
6. Check for and remove any lint or debris around brush and vac shoe.

Periodic Maintenance

1. After every 25 hours of operation, flush a white vinegar solution (ONE quart vinegar to two gallons of water) or anti-browning solution (mixed as directed) through the extractor. This will prevent build-up of alkaline residue in the system.
2. If the spray jet becomes clogged, check for debris and clean surface of jet.

NOTE: Do not use pins, wire, etc. to clean spray jet nozzle as this will deform the jet and destroy the spray pattern.

3. Periodically inspect all hoses, electrical cables, filters, gaskets and connections on your machine. Frayed or cracked hoses should be repaired or replaced to eliminate vacuum or solution pressure loss.
4. The electrical cable must be well insulated, if the cable insulation is broken or frayed, repair or replace it immediately. Don't take chances with electrical fire or shock.
5. The filter in the bottom of the solution tank and at the fill port must be clean to allow free flow of cleaning solution. The screen filter on the vacuum intake in the dome must be free of lint buildup to ensure full vacuum strength.
6. The dome gasket must be properly seated and free of damage to create the air seal needed to extract water.

Maintenance Instructions

⚠ WARNING:

Remove machine power cord from electrical source before making any adjustments or repairs to the machine.

⚠ AVERTISSEMENT:

Retirez le cordon d'alimentation de la machine de la source électrique avant de procéder à des réparations ou des ajustements de la machine.

⚠ WARNING:

Only qualified maintenance personnel are to perform repairs.

⚠ AVERTISSEMENT:

Seul le personnel d'entretien qualifié peut effectuer des réparations.

Brush Assembly

1. Turn off switch and unplug machine.
2. Position the machine to have access to the bottom. Remove screws (2) at the sides of the machine holding the brush deck pivot axle.
3. Remove screw mounting belt cover and remove belt cover.
4. Loosen the nuts (2) at brush motor and slide motor forward to reduce belt tension. Remove belt.
5. Loosen set screw on brush pulley. Remove pulley.
6. Remove screws (4) mounting brush bearings to frame. Slide bearing off brush axle.
7. Remove brush by lifting drive end out of frame and sliding other end out of bearings mounted to frame.
8. Inspect/replace brush and bearings as required. The brush is equipped with yellow wear indicator bristles. Replace the brush when it wears down to the height of the yellow bristles.
9. Reverse the process to reinstall the brush and bearings. Check belt for proper belt tension.

⚠ WARNING:

Only use the brushes provided with the appliance or those specified in the instruction manual. The use of other brushes may impair safety.

⚠ AVERTISSEMENT:

N'utilisez que les brosses fournies avec l'appareil ou celles qui sont spécifiées dans le manuel d'instructions. L'utilisation d'autres brosses peut nuire à la sécurité.

Spray Jet

NOTE: To prevent a clogged jet due to alkali build-up, the spray system should be flushed with 1 to 2 gallons of clean hot water at the end of each day.

1. Turn off switch and unplug machine.
2. Position the machine to have access to the bottom. Remove screws (2) at the sides of the machine holding the brush deck pivot axle.
3. Position the machine to have access to the bottom.
4. Pull off the clip mounting the jet to the frame. Push the jet and hose out of the mounting hole in the frame.
5. Loosen the hose clamp and pull the jet out of the hose.
6. Reverse the process to reinstall the jet. Be sure to have jet rotated correctly before installing clip. Clip tab must face back of machine.

NOTE: Do not use pins or wire to remove obstruction if clogged, this may damage jet and alter spray pattern.

Brush Motor Removal

1. Turn off switch and unplug machine.
2. Set the machine in its upright position. Remove the screws (2) in the back metal cover. Rotate the cover down and slide back releasing the tab under the machine from the main frame.
3. Remove the pump box cover. Remove screws (4) at each leg of the cover.
4. To remove brush motor, position the machine to have access to the bottom. Remove screws (2) at the sides of the machine holding the brush deck pivot axle.
5. Remove screw mounting belt cover and remove belt cover.
6. Remove the nuts and washers (2) at brush motor and slide motor forward to reduce belt tension. Remove belt.
7. Remove pulley by loosening set screw and pull off shaft.
8. Unplug the brush motor wires from the rectifier located in the pump mount housing. Also, remove the ground lug from the stud on the main frame by removing the nut on the stud.
9. Reverse the process to reinstall the motor. Align motor pulley with brush pulley. Check belt for proper belt tension.

Pump Removal

1. Turn off switch and unplug machine.
2. Set the machine in its upright position. Remove the screws (2) in the back metal cover. Rotate the cover down and slide back releasing the tab under the machine from the main frame.
3. Remove the pump box cover. Remove screws (4) at each leg of the cover.
4. To remove either pump, loosen the hose clamp and remove the hose from both ends of the pump.
5. Remove screws and washers (4) that mount pump housing.
6. Unscrew the hose fittings from each end of the pump.
7. Flex the pump mounting housing to remove the pump.
8. Remove the screw attaching the ground wire to the pump. Remove the other two wire connectors attached to the pump.
9. Reverse the process to reinstall.

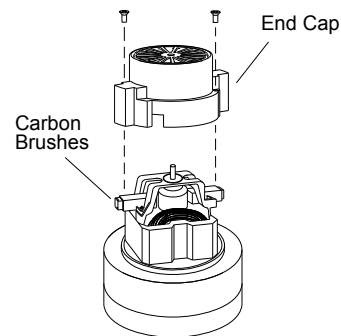
Vacuum Motor Removal

1. Turn off switch and unplug machine.
2. Set the machine in its upright position. Remove the screws (2) in the back metal cover. Rotate the cover down and slide back releasing the tab under the machine from the main frame.
3. Remove the pump box cover. Remove screws (4) at each leg of the cover.
4. Remove vacuum hose, loosen hose clamp and pull hose from bottom of vacuum motor.
5. Unplug wires (2) from main harness located in pump mount housing. Remove ground from stud on main frame.
6. To remove the vacuum motor, remove the screws (2) in the back of the machine that mount the plastic cover to the solution tank.
7. Remove the screws (3) that mount the vacuum motor to the plastic cover. Pull the cover off the vacuum motor.
8. Unscrew the ground wire from the vacuum motor.
9. Reverse the process to reinstall the vacuum motor.

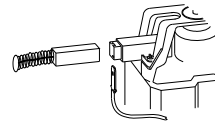
NOTE: Make sure the excess wire lengths do not get pinched between the vacuum motor and plastic cover.

NOTE: The vacuum motor is protected by a circuit breaker located in the switch panel. The breaker will only trip under conditions of abuse.

Vacuum Motor Carbon Brushes

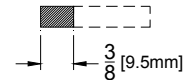


If armature commutator is grooved, extremely pitted or not concentric, the motor will need to be replaced or sent to a qualified service center.



Important:

These brushes wear quicker as the length shortens due to increased heat. Spring inside brush housing will damage motor if brushes are allowed to wear away completely.



Periodically check the length of the carbon brushes. Replace both carbon brushes when either is less than 3/8" (9.5mm) long.

Troubleshooting

PROBLEM	CAUSE	SOLUTION
No power, nothing runs.	Is the cord plugged in.	Plug in cord.
	Circuit breaker tripped in building.	Reset breaker.
	Faulty switch.	Call for service.
	Faulty power cord or pigtail.	Call for service.
Vacuum motor will not run.	Vacuum circuit breaker tripped.	Reset breaker.
	Faulty main switch.	Call for service.
	Loose wiring.	Call for service.
	Faulty vac motor.	Call for service.
Vacuum motor runs but suction is poor.	Debris lodged in vac shoe.	Remove debris from vac shoe.
	Dome gasket defective or missing.	Replace as necessary.
	Vacuum hose cracked or hose cuff loose	Replace or repair as necessary.
	Recovery tank full.	Turn off vacuum motor. Drain and rinse recovery tank.
Poor or no water flow. (carpet is streaky)	Switch to accessory mode.	Turn to deep clean position.
	Jets clogged or missing.	Jets clogged or missing.
	Solution filter clogged.	Drain solution tank and clean solution-filter.
	Faulty solution pump.	Call for service.
Brush does not spin.	Switch in accessory mode.	Turn to deep clean position.
	Brush circuit breaker tripped.	Reset circuit breaker.
	Brush belt broken.	Replace as necessary.
	Faulty brush motor.	Call for service.
Accessory tool fitting difficult to connect	Corrosion on fitting.	Clean with steel wool. Remove and soak in acetic acid (white vinegar). Lubricate lightly with silicone base lubricant.

Maintenance

Troubleshooting

Problem	Cause	Solution
Worn brush bearings	Squealing or grinding sound in brush housing.	Replace bearings.
Carpet not getting clean	Severe soil conditions	Make several passes at right angles to each other. Use a pre-spray.
Carpet too wet	Worn spray jet	Replace spray jet which is producing a fine mist.
Carpet not getting wet	Solution filter screen clogged.	Clean solution filter screen located inside lower tank.
	Spray jet clogged.	Clean or replace jet. Do not use a wire to clean jet. Damaged jet will cause over-saturation.
	Pump not running.	Check for and correct any loose wires. Repair or replace.
	Faulty solution switch.	Replace switch in handle.

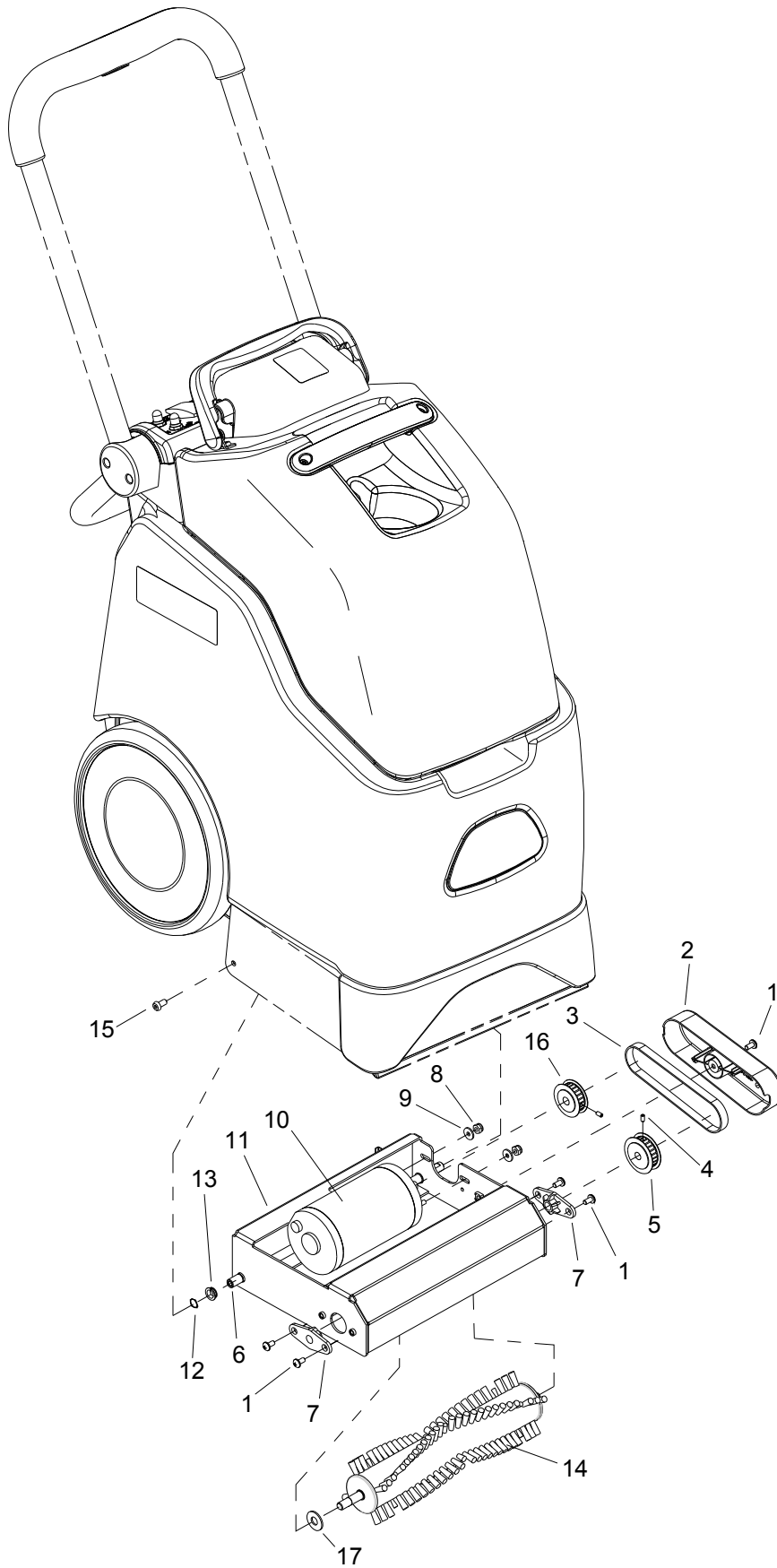
PARTS

BRC 30/15 C
1.008-058.0

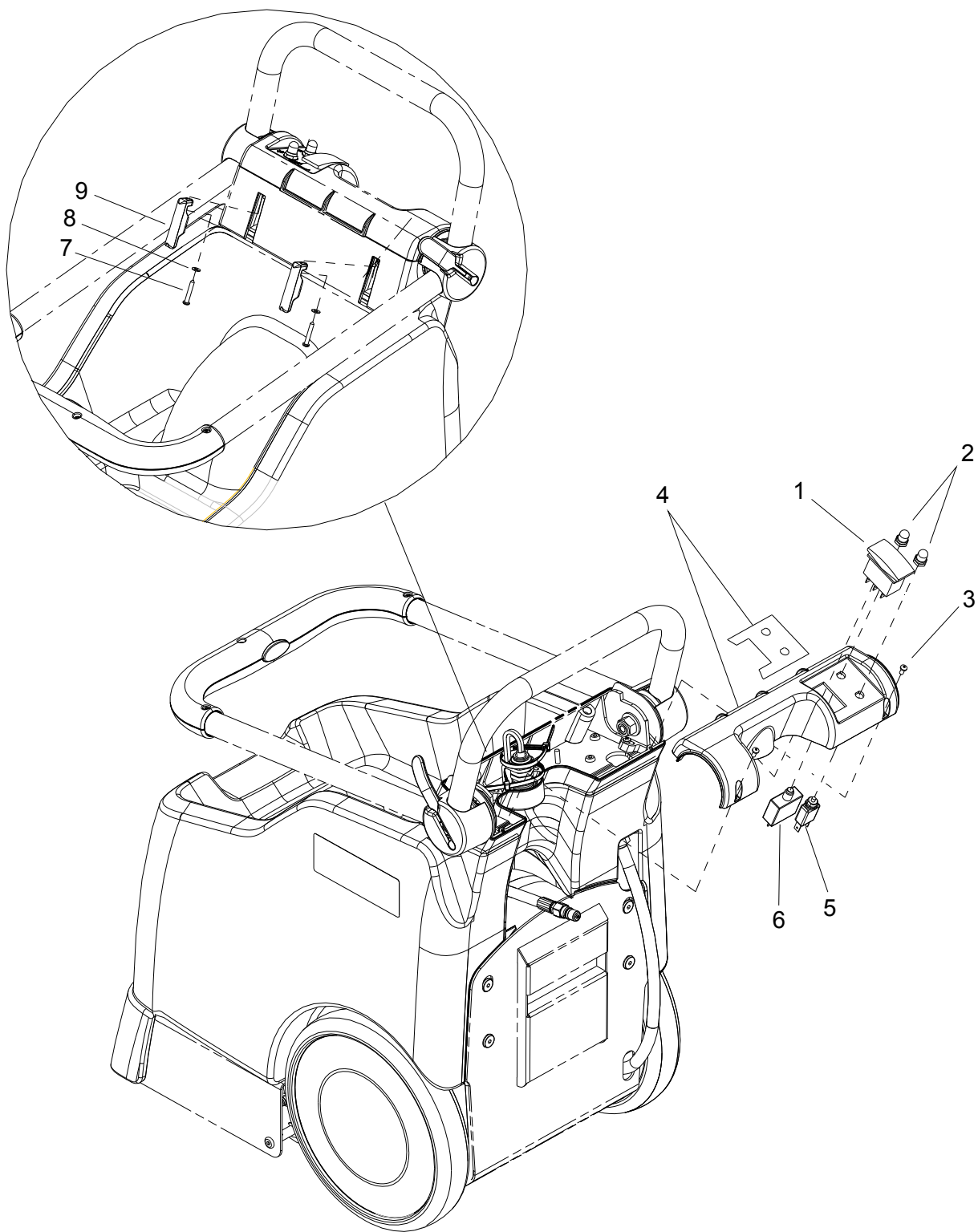
BRC 30/15 C *JP
1.008-055.0

BRC 30/15 C HD
1.008-657.0

Brush Deck

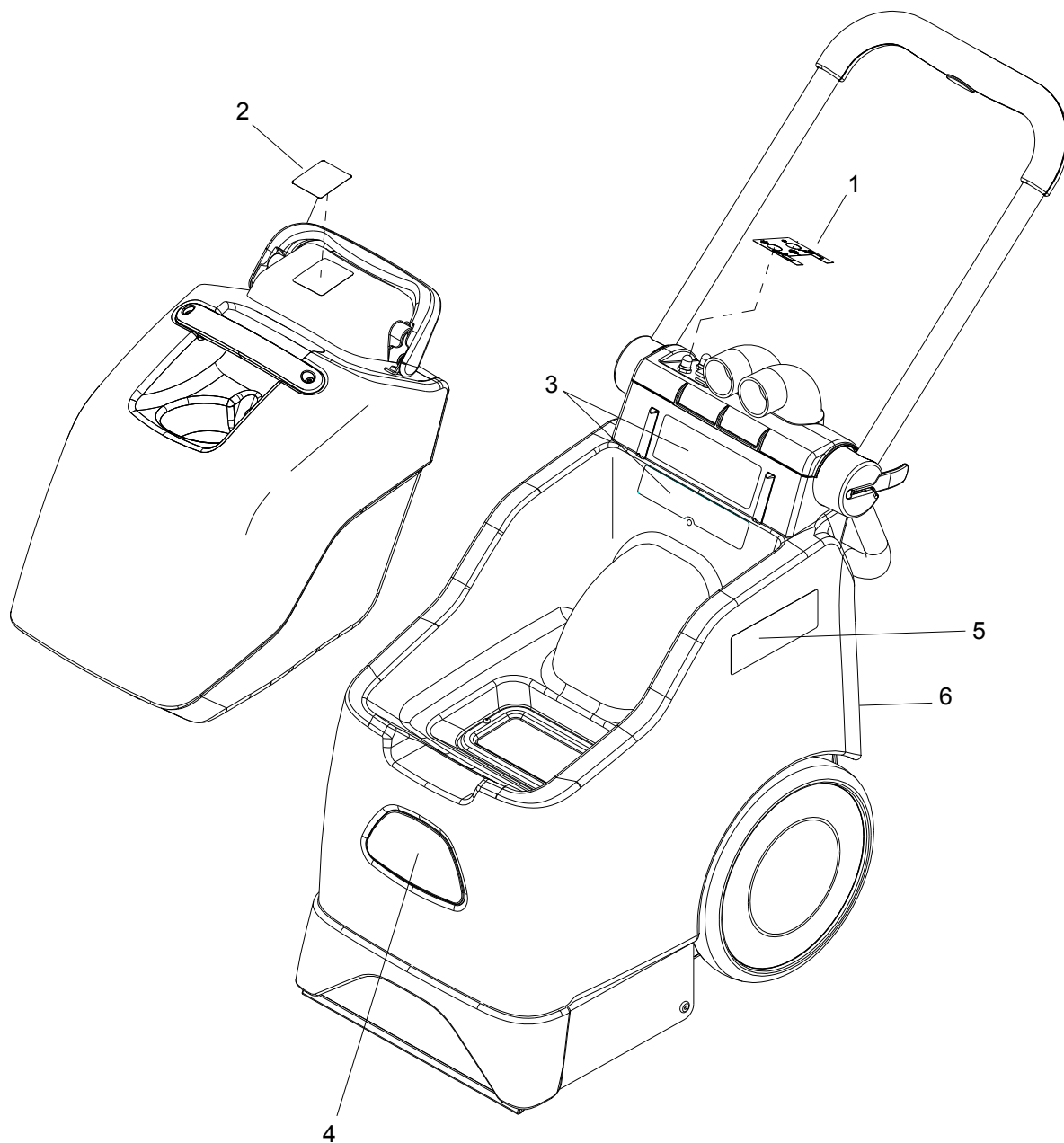


REF	PART NO.	QTY	DESCRIPTION	SERIAL NO. FROM	NOTES
1	86173020	5	SCR, M5 X 10, PHMS, ISO7045, SS		
2	86217390	1	COVER, PULLEY, BRUSH DECK		
3	86215260	1	BELT, HTD 5MM 69T 9 WIDE		
4	86223780	2	SET SCR, M4 X 6LG, CP BLK		
5	86223300	1	PULLEY, BRUSH		
6	86214970	1	AXLE, PIVOT, BRUSH DECK		
7	86229020	2	BEARING, BRUSH PLASTIC		
8	86005640	2	NUT, 10-32 HEX NYLOCK		
9	86173330	2	WASHER, M5, FLAT, ISO7093, SS		
10	86247110	1	MOTOR, 115V BRUSH DRIVE		
11	86217920	1	BRKT, FLOATING BRUSH, 10 IN		
12	86223490	2	RING, 10MM EXT SNAP, DIN 471		
13	86216430	2	BUSHING, BRUSH PRESSURE		
14	86216040	1	BRUSH, CHEVRON, 10 IN		
15	86173220	2	SCREW, M6-1 X 12 FLGHBTNHMS SS		
16	86223350	1	PULLEY, MOTOR		
17	86010680	1	WASHER, 3/8 ID X 3/4 OD NYLON		



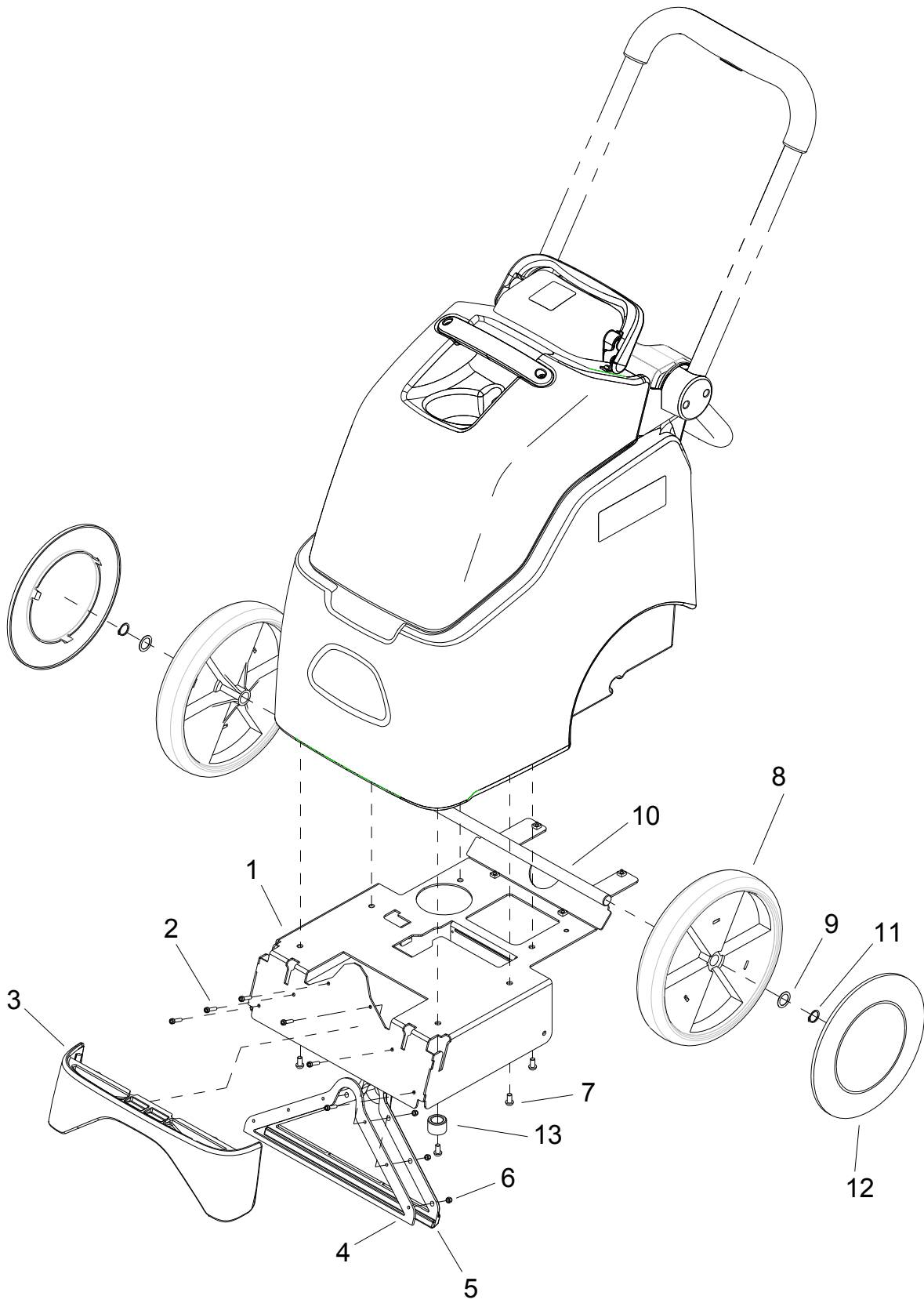
REF	PART NO.	QTY	DESCRIPTION	SERIAL NO. FROM	NOTES
1	86007200	1	SWITCH, DPDT 3-POSITION ROCKER		
2	86002010	2	BOOT, 3/8 CIRCUIT BREAKER		
3	86173140	2	SCR, KA40X16, PT OVAL, WN1412, PL		
4	86350630	1	ASM, CTRL PNL, BRC 30/15 C		SPARE ASM INCLUDES 86347130 AND 86217410
5	86230140	1	BREAKER, 1.5A CIRCUIT		
6	86291460	1	BRAKER, 11A VDE CIRCUIT		
7	86292300	2	SCR, M4X20 SBHCS, BLK EDP		
8	86173350	2	WASHER, M5, FLAT, ISO7089, SS		
9	86216300	2	BUMPER, CONSOLE		

SEE WIRING DIAGRAM FOR WIRE CONNECTIONS.

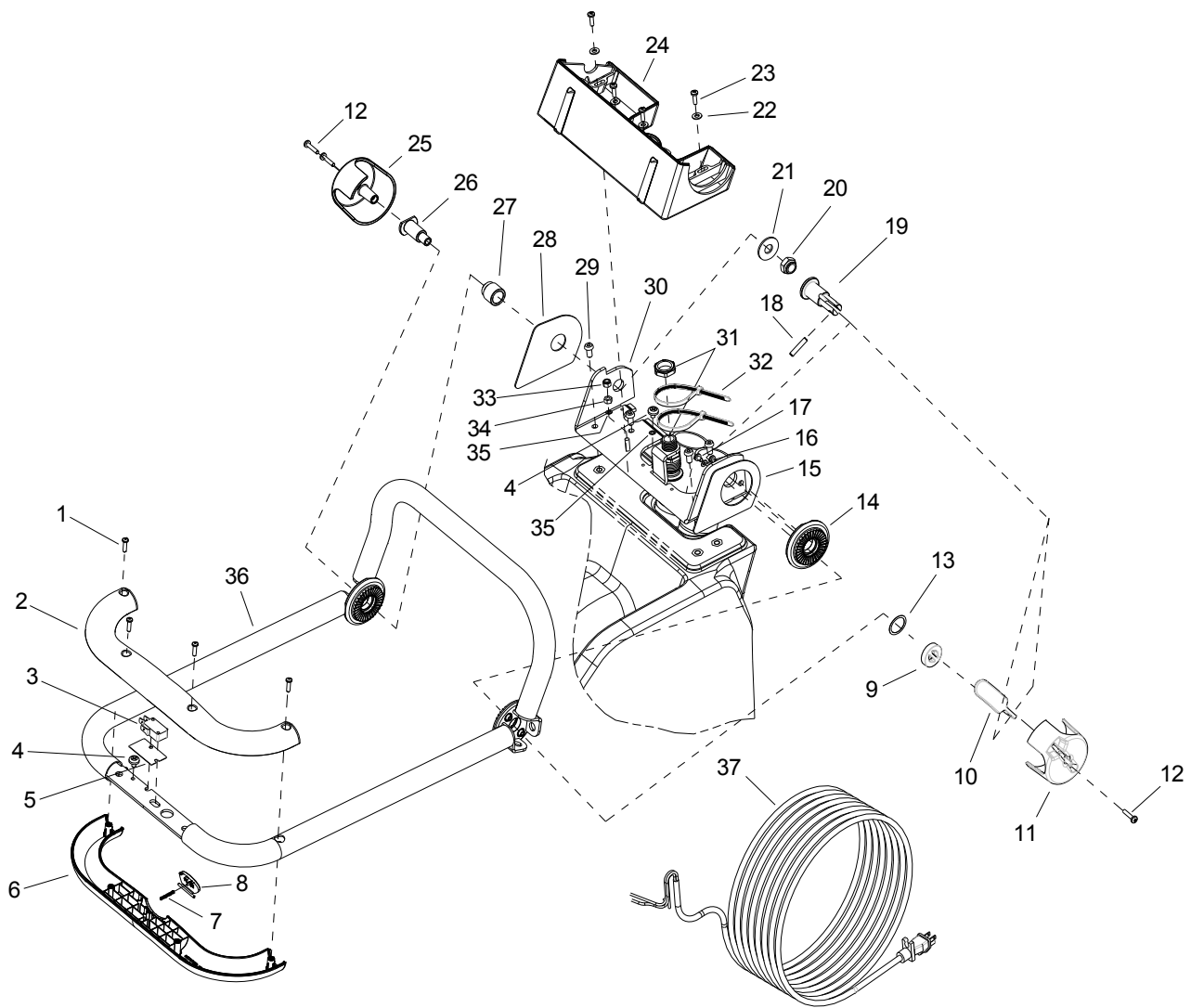


REF	PART NO.	QTY	DESCRIPTION	SERIAL NO. FROM	NOTES
1	86347130	1	LABEL, CTRL PNL, BRC 30/15 C		
2	86395860	1	LABEL, DOME ACCESSORY		
3	86013720	1	LABEL, MINI EXT. INSTRUCTION		
4	86335160	1	LABEL, KARCHER FRONT		
4b	86435700	1	LABEL HOME DEPOT LOGO DOMED		10086570 ONLY
5	86401330	2	LABEL, SIDE, BRC 30/15 C		
6	86437430	1	LABEL HOME DEPOT RENTAL		10086570 ONLY

Frame & Wheels

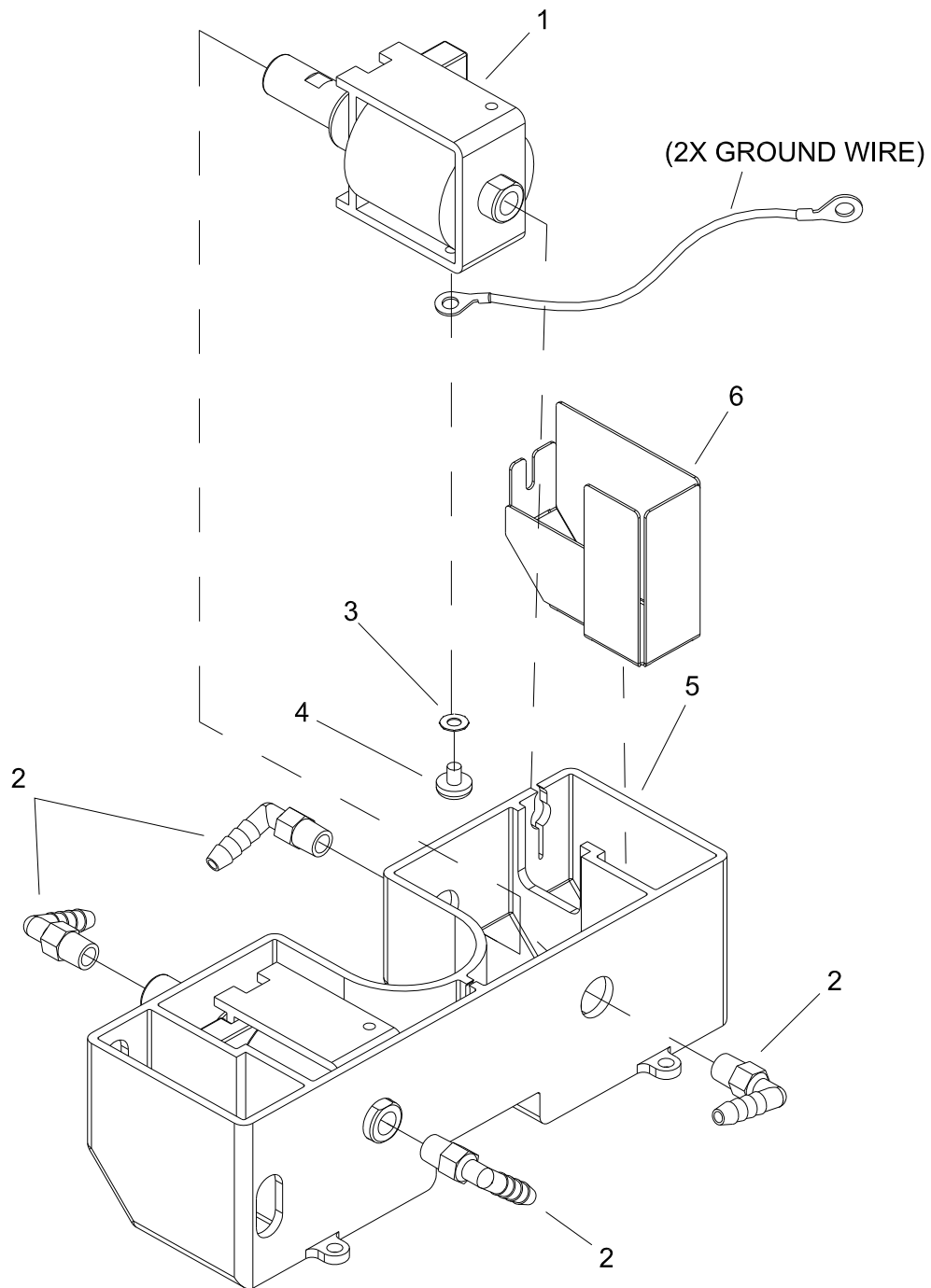


REF	PART NO.	QTY	DESCRIPTION	SERIAL NO. FROM	NOTES
1	86215830	1	BRKT, BRUSH HOUSING, 10 IN		
2	86173010	6	SCR, M4 X 16, SHCS, ISO4762, SS		
3	86216290	1	BUMPER, EXTRACTOR, FRONT		
4	86218090	1	GASKET, VAC SHOE		
5	86225530	1	VAC SHOE, 12 IN		
6	86172630	6	NUT, M4, LOCK, ISO7040, SS		
7	86173220	6	SCREW, M6-1 X 12 FLGHBTNHMS SS		
8	86226050	2	WHEEL, 10IN		
9	86011880	2	WASHER, 16.2 X 23 X 0.6MM, PLT		
10	86214980	1	AXLE, WHEELS, 5/8 DIA		
11	86272750	2	RING, 5/8 EXTERNAL SNAP		
12	86300070	2	HUBCAP, 9.75" WHEEL		
13	86291130	1	BUMPER, BRUSH DECK		



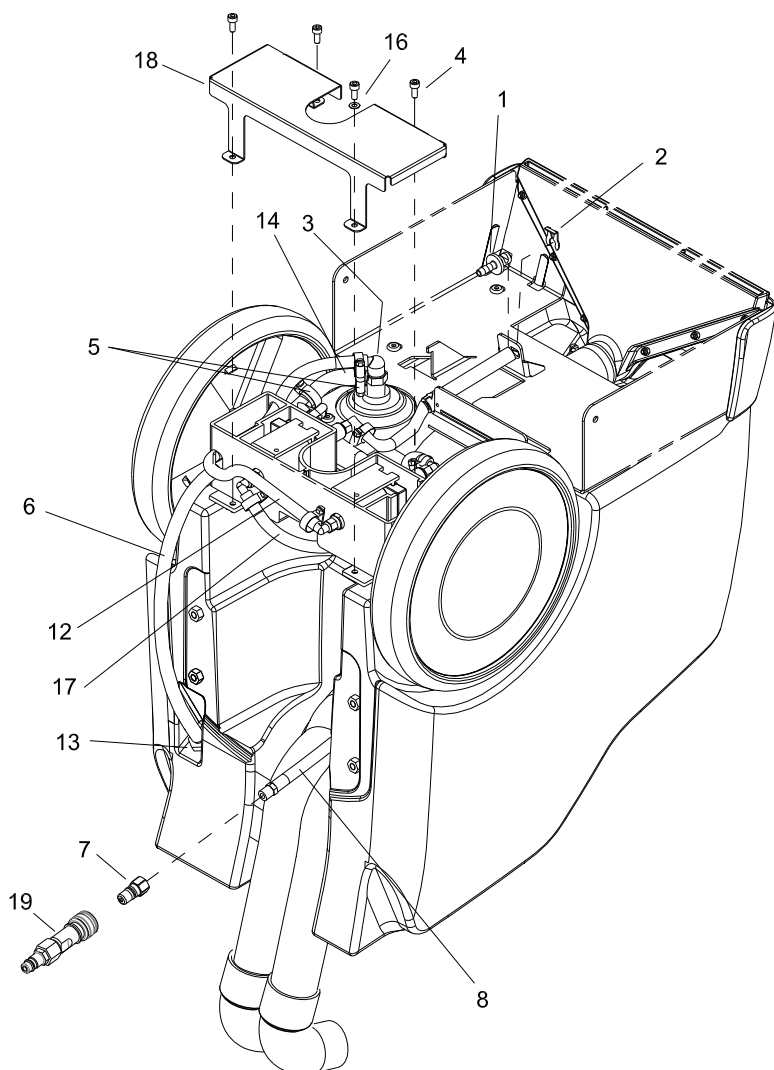
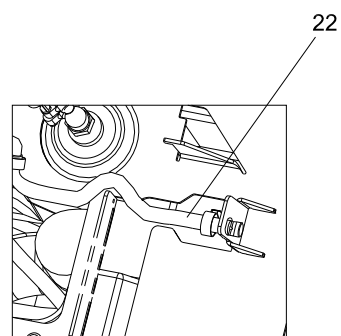
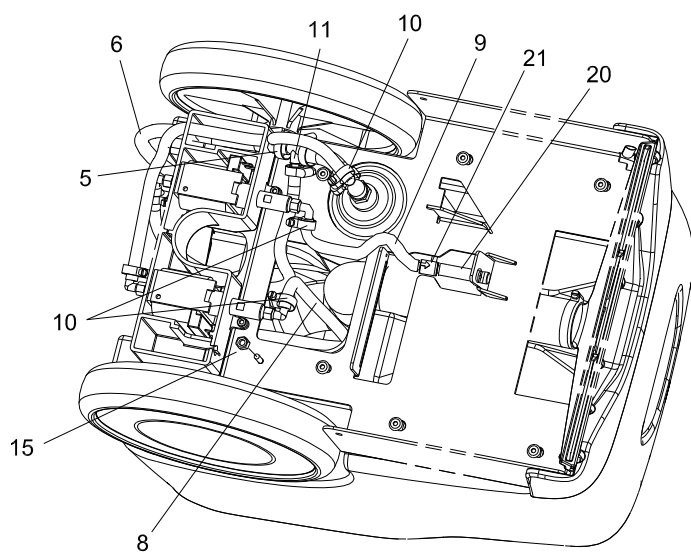
REF	PART NO.	QTY	DESCRIPTION	SERIAL NO. FROM	NOTES
1	86173140	4	SCR, KA40X16, PT OVAL WN1412, PL		
2	86297150	1	HANDLE, GRIP, TOP		
3	86225140	1	SWITCH, MICRO TONELUCK		
4	86006770	2	SCR, 10-32 X 1/4 PHTR PLTD		
5	86013730	1	SHIELD, MICROSWITCH		
6	86297160	1	HANDLE, GRIP, BOTTOM		
7	86224650	1	SPRING, BUTTON		
8	86216470	1	BUTTON, SPRAY HANDLE		
9	86292550	1	BUSHING, HANDLE LOCK		
10	86296610	1	LEVER, CAM HANDLE		
11	86347140	1	COVER, HANDLE HUB, LEFT, YLW		
12	86277600	3	SCR, M4 X 20, PHMS, ISO7045, SST		
13	86296620	AS REQ'D	WASHER, 0.2X19.8X25.0MM PLTD		
14	86219460	1	HUB, HANDLE SPLINE		
15	86218220	1	GASKET, CONTROL BOX LEFT		
16	86173320	3	WASHER, M4, FLAT, DIN125 SST		
17	86173030	3	SCR, M4 X 6, PHMS, ISO7045, PL		
18	86266630	1	PIN, DOWEL 5 X 25MM, PLTD		
19	86292560	1	SHAFT, HANDLE LOCK		
20	86222340	1	NUT, M12, LOCK, ISO 7040, SST		
21	86259430	1	WASHER, M12 FLAT		
22	86288680	4	WASHER, M5 RIVET BACKUP		
23	86172870	4	SCR, M4X14 PHMS, ISO7045, SST		
24	86217350	1	COVER, CONTROLS BOTTOM		
25	86217380	1	COVER, TUBE HUB RIGHT		
26	86224140	1	SHAFT, HANDLE		
27	86224460	1	SPACER, HANDLE BUSHING		
28	86218230	1	GASKET, CONTROL BOX RIGHT		
29	86173220	4	SCREW, M6-1 X 12 FLGHBTNHMS SS		
30	86215520	1	BRACKET, HANDLE AXLE		
31	86224930	1	STRAIN RELIEF, 14/3 STRAIGHT		
32	86233170	1	CLAMP, 3/8 NYLON UL/CSA		
33	86005640	1	NUT, 10-32 HEX NYLOCK		
34	86270800	1	NUT, 10-32 HEX SS		
35	86010640	2	WASHER, #10 LOCK EXT STAR SS		
36	86298790	1	WELDMENT, HANDLE TUBE		
37A	86217140	1	CORD ASM, 14X3 SJTX25' MPRO		
37B	86360840	1	CORD ASM, 14X3, 25' PSE, MPRO		JP ONLY
38	86266080	1	TERM, 18G .25 FEMALE COUPLER		

Solution 1



REF	PART NO.	QTY	DESCRIPTION	SERIAL NO. FROM	NOTES
1	86201110	2	PUMP, 110/120 60 HZ		
2	86240520	4	HOSEBARB, 1/8MPT X 1/4 90D		
3	86010640	2	WASHER, #10 LOCK EXT STAR		
4	86006770	2	SCR, 10-32 X 1/4 PHTR PLTD		
5	86215450	1	BOX, PUMP MOUNT		
6	86304750	1	SHEILD, PUMP ENCLOSURE		

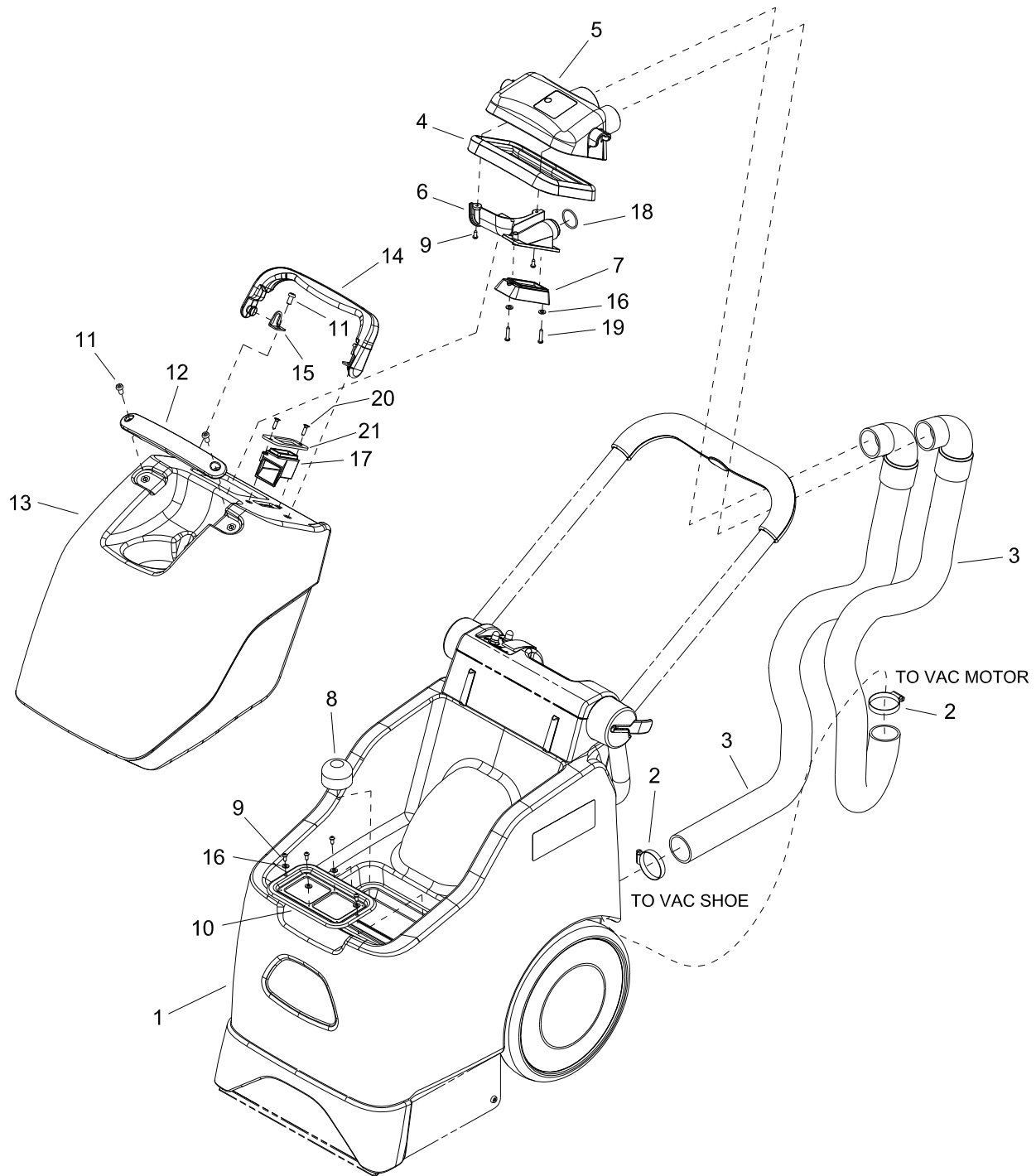
Solution 2



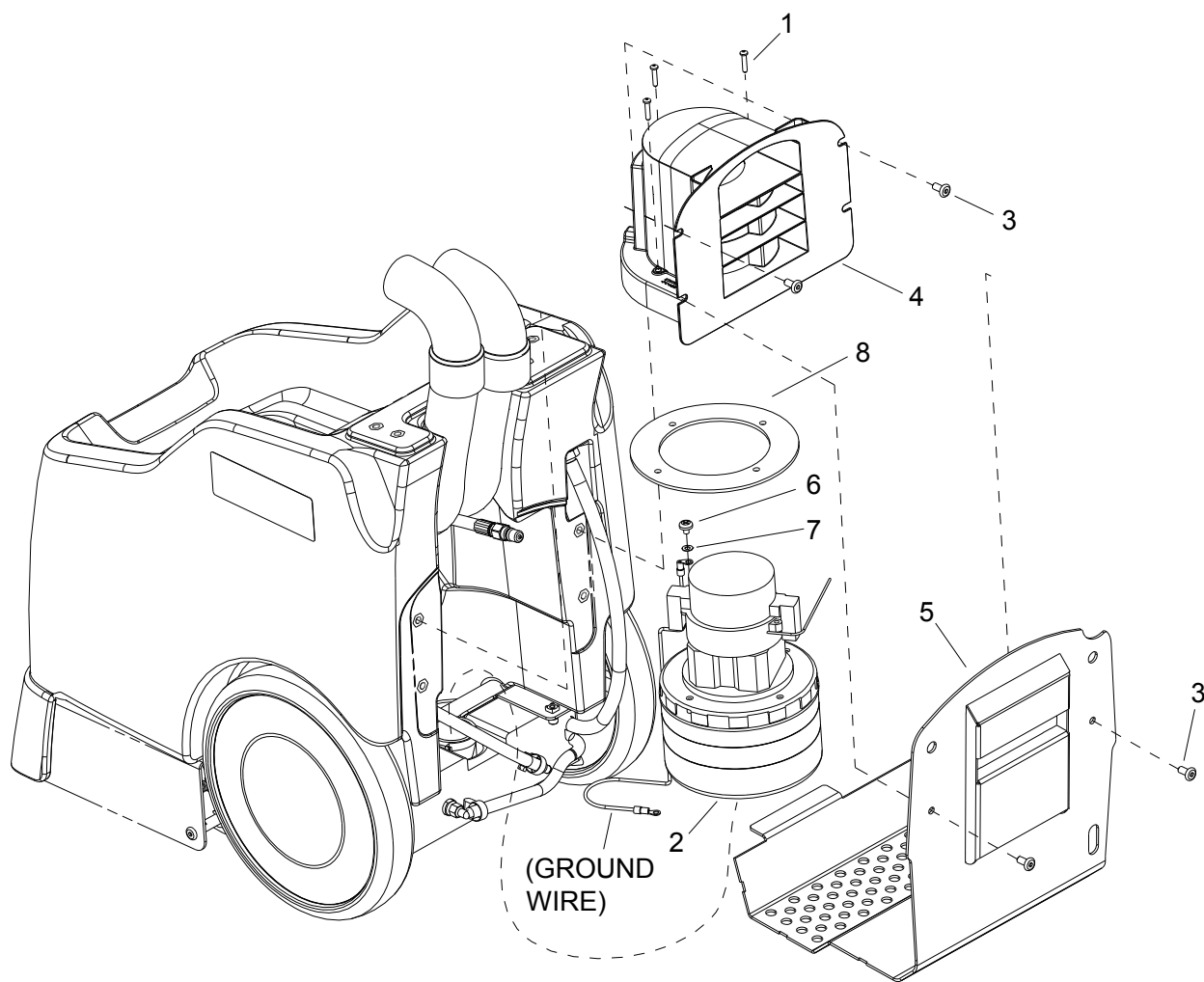
REF	PART NO.	QTY	DESCRIPTION	SERIAL NO. FROM	NOTES
1	86219580	1	JET, RT ANG, 1/4 BARB		
2	86216810	1	CLIP, SHAFT, 9-12MM		
3	86219200	1	HOSEBARB, 3/8MPT, 2 X 1/4. 1 X 3/8		
4	86172950	4	SCR, M5X12, SHCS, ISO4762, SS		
5	86233150	3	CLAMP, 3/8 HOSE (D-SLOT)		
6	86219090	1	HOSE, 3/8" X 432MM CLEAR		
7	86200820	1	NIPPLE, 1/8FPT QD MALE BRASS		
8	86219070	1	HOSE ASM, 6MM X 610MM NYLOBRAID		
9	86377730	1	HOSE, 6MM X 190MM NYLOBRAID	**	
10	86233090	6	CLAMP, 1/4 ID HOSE		
11	86289330	1	HOSEBARB, TEE 3/8 X 3/8 X 1/4		
12	86219050	1	HOSE, 6MM X 390MM NYLOBRAID		
13	86240430	1	HOSEBARB, 3/8 MPT X 3/8 NYLON		
14	86012680	1	HOSE, 3/8ID X 60MM NYLOBRAID		
15	86005640	1	NUT, 10-32 NYLOCK		
16	86010640	1	WASHER, #10 LOCK EXT STAR SS		
17	86219060	1	HOSE, 6MM X 420MM NYLOBRAID		
18	86291670	1	COVER, PUMP BOX		
19	86310300	1	ASSY, ADPT, 1/8MX1/4FPT NIPPLE		
20	86377740	1	HOSE, 6MM X 40MM NYLOBRAID	**	
21	86349410	1	CHECK VALVE, MINI	**	
22	86219080	1	HOSE, 6MM X 245MM NYLOBRAID		

SEE HOSE DIAGRAM FOR HOSE ROUTING.

Tank & Dome

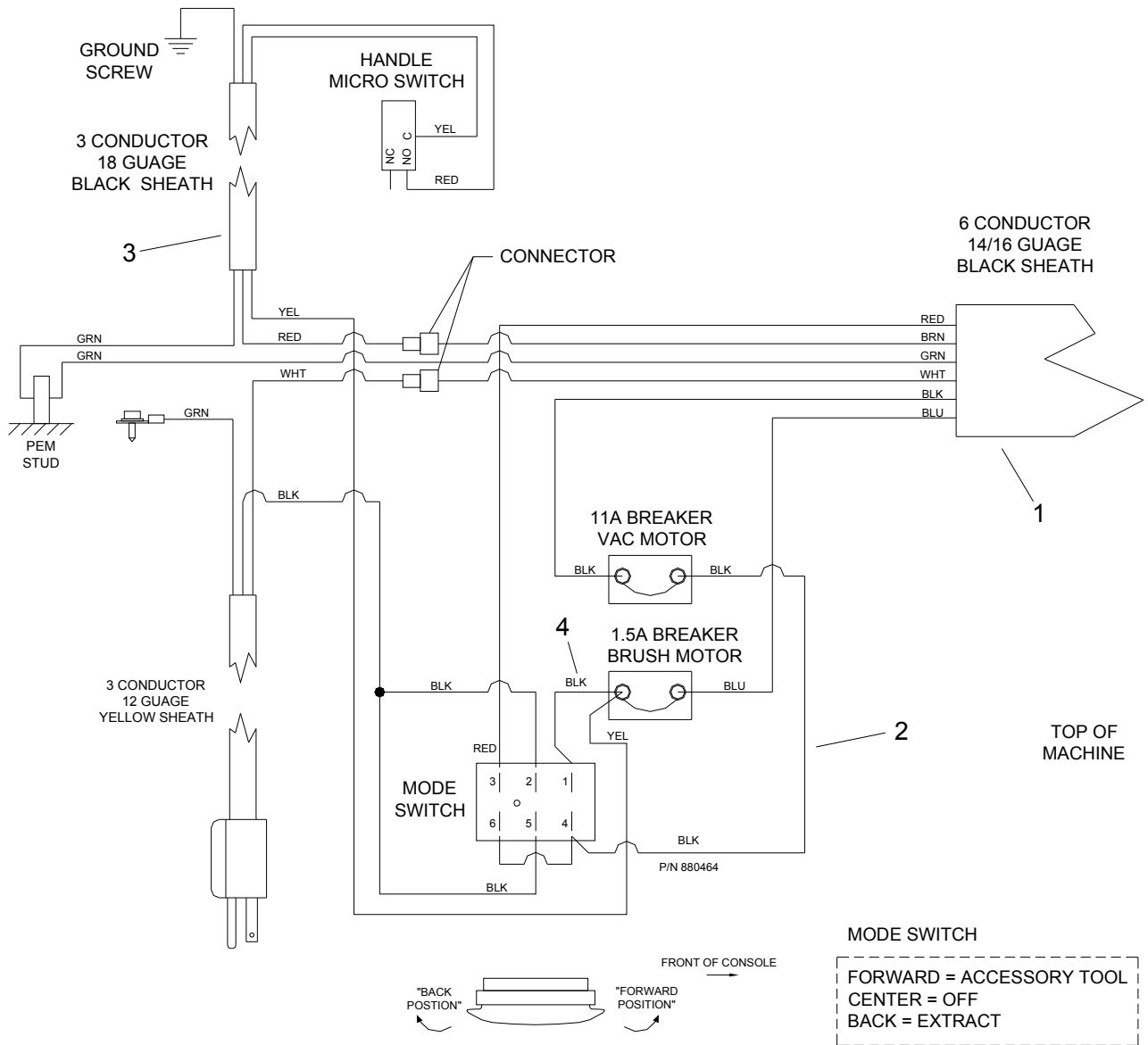


REF	PART NO.	QTY	DESCRIPTION	SERIAL NO. FROM	NOTES
1	86347110	1	TANK, SOL, GRY BRC 30/15 C		
2	86002390	2	CLAMP, 1.75" WORM GEAR X .312		
3	86011910	2	HOSE ASM, 1.5X34" VAC W/ELBOW		
4	86291230	1	GASKET, DOME, MINI PRO		
5	86217700	1	DOMES		
6	86291170	1	DOMES, PLATE INTERIOR		
7	86291190	1	SCREEN, VACUUM INTAKE		
8	86007970	1	STRAINER, 3/8 IN. NPT 60 MESH		
9	86172940	6	SCR, KA40X10,PT OVAL, WN1412,PL		
10	86224960	1	STRAINER, BASKET		
11	86172990	4	SCR, M6X12 BHCS, ISO7380, SS		
12	86218530	1	HANDLE, RECOVERY TANK		
13	86297980	1	TANK, RECOVERY MPRO BLK		
14	86216770	1	CLAMP, DOME		
15	86215970	2	BRKT, DOME CLAMP		
16	86173350	4	WASHER, M5, FLAT, ISO7089, SS		
17	86291180	1	DUCT, VACUUM INTAKE		
18	86291210	1	O-RING, 26MM ID X 2MM THICK		
19	86173000	2	SCR, KA40X20, PT OVAL, WN1412,PL		
20	86291220	2	SCR, KA40X16, PT, WN1413, SS		
21	86292450	1	GASKET, DUCT		



REF	PART NO.	QTY	DESCRIPTION	SERIAL NO. FROM	NOTES
1	86173000	3	SCR, KA40x20, PT OHS, WN1412, PLTD		
2	86225480	1	VAC MOTOR, 120V 5.7 3ST W/TUBE		
3	86173220	4	SCREW, M6-1 X 12 FLGHBTNHMS SS		
4	86217420	1	COVER, VAC MOTOR		
5	86217370	1	COVER, LOWER BACK		
6	86006770	1	SCR, 10-32 X 1/4 PHTR PLTD		
7	86010640	1	WASHER, #10 LOCK EXT STAR		
8	86291680	1	GASKET, VAC MOTOR		

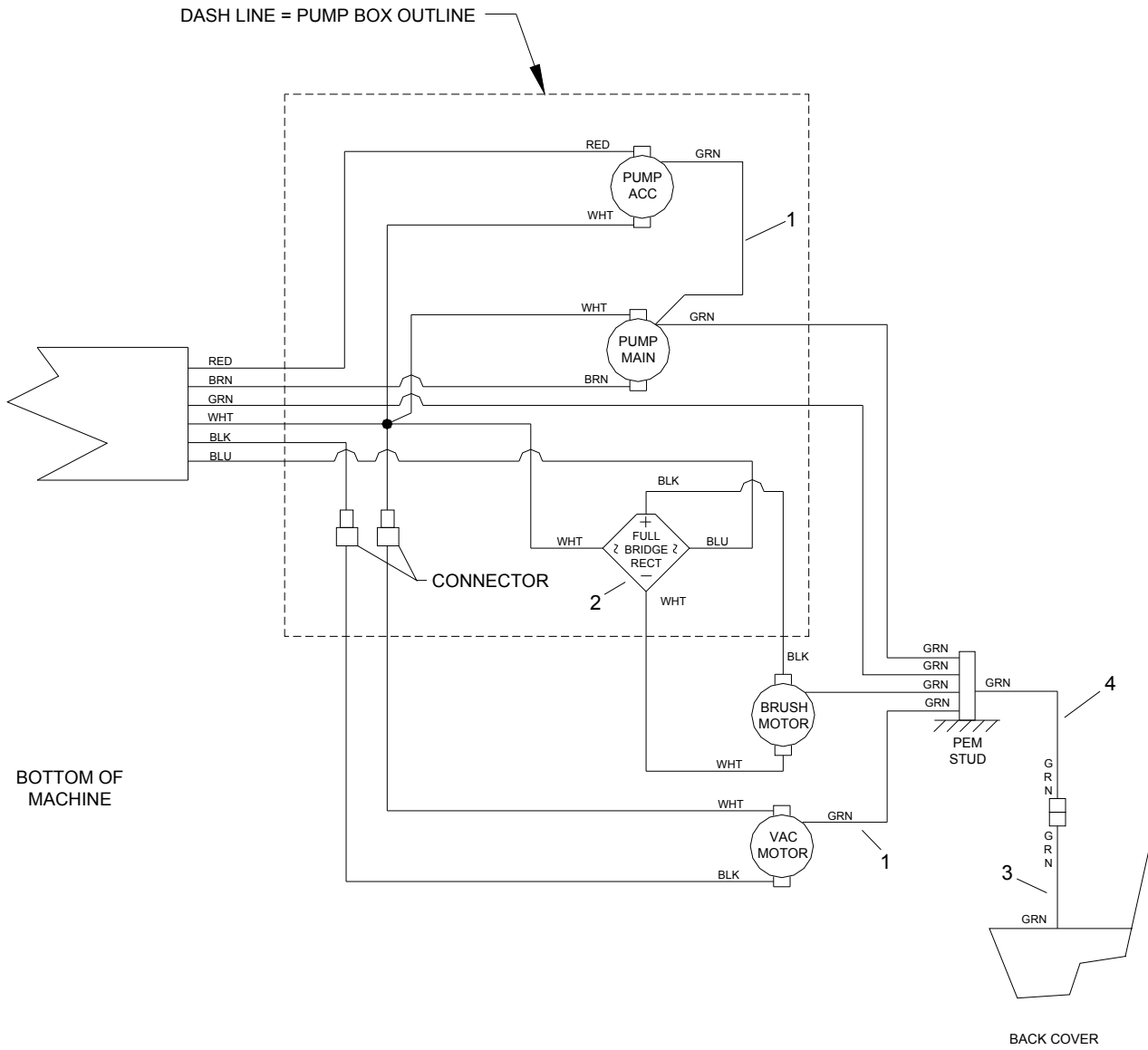
Wiring Diagram - Control Panel



Wiring Diagram - Control Panel

REF	PARTNO.	QTY	DESCRIPTION	SERIAL NO.FROM	NOTES
1	86218840	1	HARNESS, MAIN		
2	86226230	1	WIRE ASM, CONTROL PANEL JUMPER		
3	86218830	1	HARNESS, HANDLE		
4	86226250	1	WIRE, 14" BLACK/14 76010		

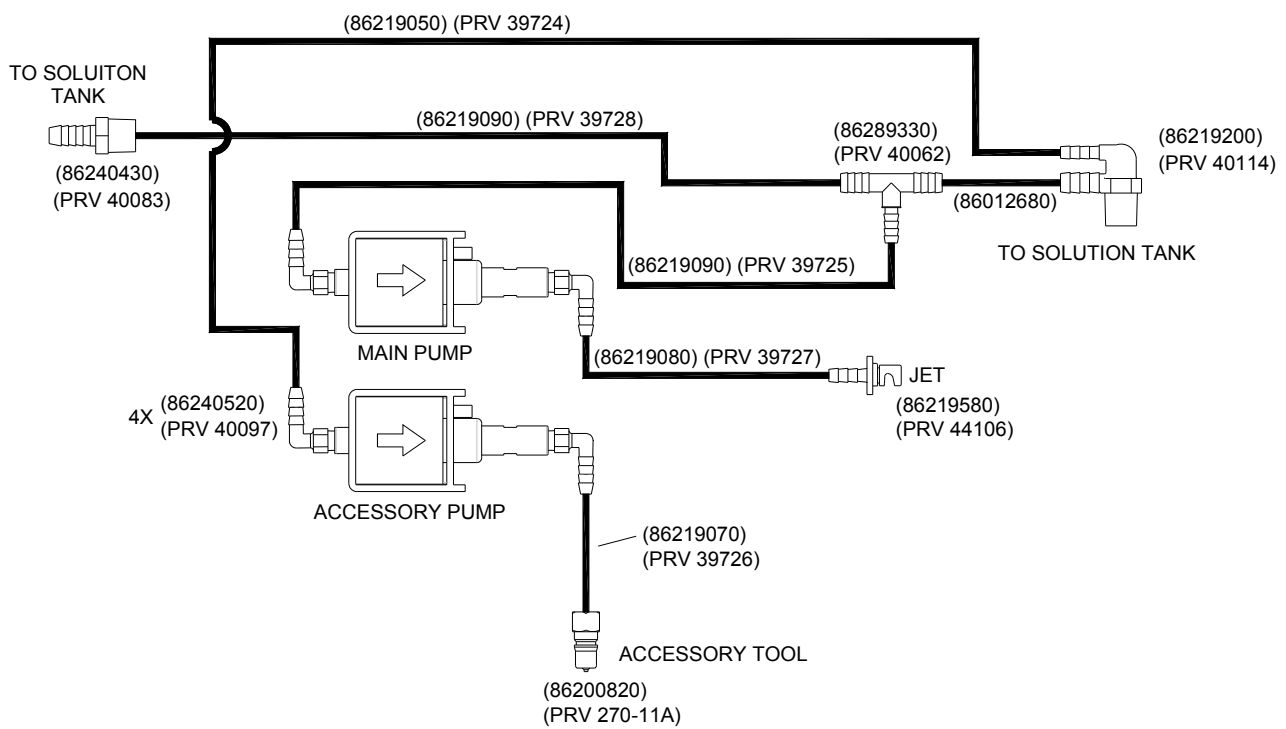
Wiring Diagram - Vacuum, Brush Motor & Pump



Wiring Diagram - Vacuum, Brush Motor & Pump

REF	PART NO.	QTY	DESCRIPTION	SERIAL NO. FROM	NOTES
1	86226250	3	WIRE, 14" GRN/14 76008 X 76008		
2	86223460	1	RECTIFIER, 50A 1000V BRIDGE		
3	86303670	1	WIRE ASM, 18 GA GRN 76008/76040		
4	86303680	1	WIRE ASM, 18 GA GRN 76008/76042		

Hose Diagram



Suggested Spare Parts

PART NO.	DESCRIPTION	SERIAL NO. FROM	NOTES
86216430	BUSHING, BRUSH PRESSURE		
86229010	BEARING, BRUSH		
86216040	BRUSH, CHEVRON, 10 IN		
86223350	PULLEY, MOTOR		
86223300	PULLEY, BRUSH		
86215260	BELT, HTD 5MM 69T 9 WIDE		
86247110	MOTOR, 115V BRUSH DRIVE		
86217390	COVER, BELT GUARD		
86218090	GASKET, VAC SHOE		
86219580	JET, RT ANG, 1/4 BARB		
86201110	PUMP, 110/120 60HZ FLOJET		
86224960	STRAINER, RECT, 80 MESH SS		
86225480	VAC MOTOR, 120V 5.7 3ST W/TUBE		
86135320	BRUSH SET, 120V VAC		
86291230	GASKET, DOME		
86291190	SCREEN, DOME VAC INTAKE		
86291460	BREAKER, 11A VDE CIRCUIT		
86230140	BREAKER, 1.5A CIRCUIT		
86002010	BOOT, 3/8 CIRCUIT BREAKER		
86007200	SWITCH, DPDT3-POSITION ROCKER		

Accessories

PART NO.	DESCRIPTION
86218790	HANDTOOL W/1/8 FEM QD (INCLUDES HOSE ASM)
86290360	HANDTOOL KIT (INCLUDES HOSE ASM AND CARRY BAG)

Serial Number

REF. NO.	MODEL: SERIAL #
1	**



THANK YOU!
MERCI! DANKE! ¡GRACIAS!



Registrieren Sie Ihr Produkt und profitieren Sie von vielen Vorteilen.

Register your product and benefit from many advantages.

Enregistrez votre produit et bénéficiez de nombreux avantages.

Registre su producto y aproveche de muchas ventajas.

www.kaercher.com/welcome

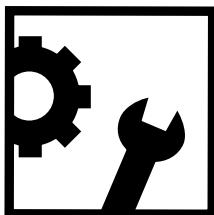


Bewerten Sie Ihr Produkt und sagen Sie uns ihre Meinung.

Rate your product and tell us your opinion.

Évaluer votre produit et dites-nous votre opinion.

Reseñe su producto y díganos su opinión



www.kaercher.com/dealersearch

Alfred Kärcher SE & Co. KG
Alfred-Kärcher-Str. 28-40
71364 Winnenden (Germany)
Tel.: +49 7195 14-0
Fax: +49 7195 14-2212

