

## Puzzi 8/1

English	5
Français	14
Español	24

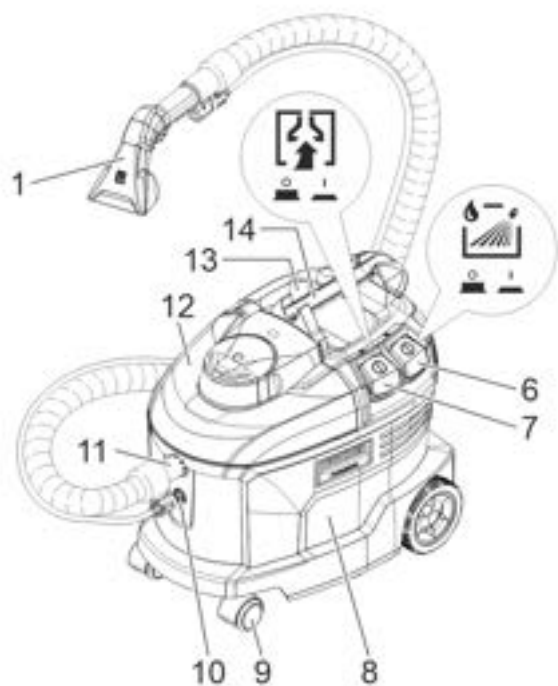
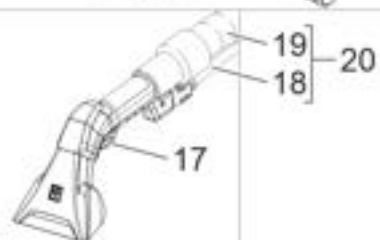
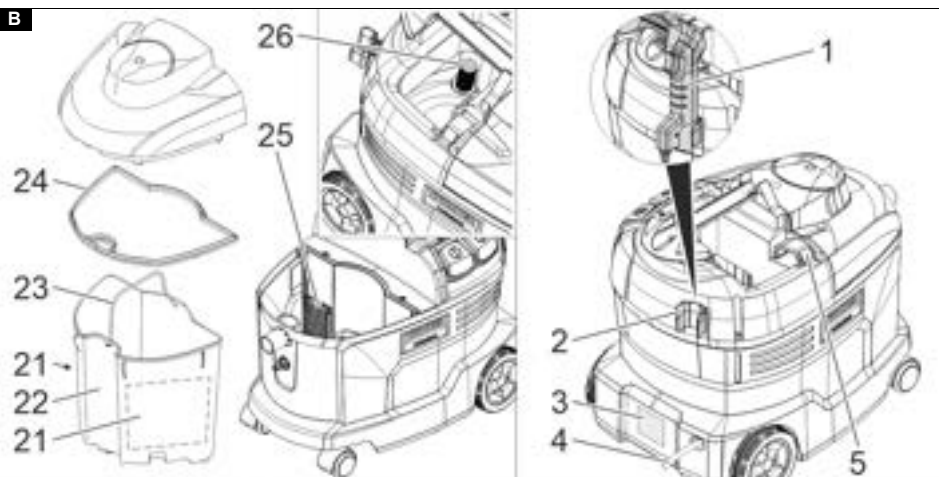


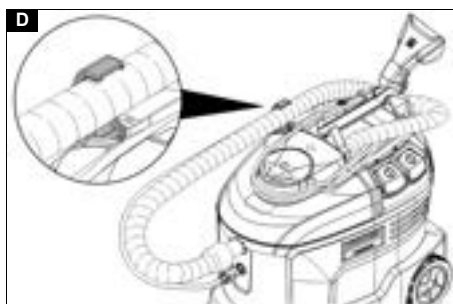
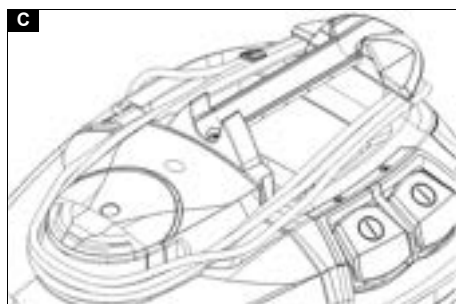
**Register  
your product**  
[www.karcher.com/welcome](http://www.karcher.com/welcome)



59786780 (11/22)

**A**

**B**



## Contents

IMPORTANT SAFETY INSTRUCTIONS .....	5
General notes .....	6
Environmental protection .....	7
Hazard levels .....	7
Intended use .....	7
Overview of the device .....	7
Start-up .....	8
Operation .....	9
Cleaning methods .....	10
Transport .....	11
Storage .....	11
Care and service .....	11
Troubleshooting guide .....	11
Warranty .....	12
Accessories and spare parts .....	12
Technical data .....	13

## IMPORTANT SAFETY INSTRUCTIONS

When using an electrical machine, basic precautions should always be followed, including the following:

### READ ALL INSTRUCTIONS BEFORE USING THIS MACHINE

- Inform your dealer immediately if there is any shipping damage.
- Completely remove the accessories from the box.
- The machine is not suitable for sucking up hazardous dusts as asbestos. Please consult your KÄRCHER branch or your KÄRCHER dealer with regard to such applications.

- Only operate the appliance from a grounded outlet. Refer to the Technical data for the necessary main fuse.

## SAVE THESE INSTRUCTIONS

**This appliance is intended for commercial use.**

## SAFETY INSTRUCTIONS

### WARNING

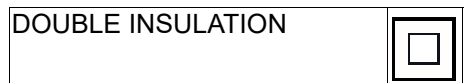
To reduce the risk of fire, electric shock, or injury:

- 1 DISCONNECT APPLIANCE FROM POWER CIRCUIT before removing the cover, performing maintenance work, and when not in use.
- 2 DO NOT LEAVE the machine unattended when plugged in.
- 3 ALWAYS CHECK THE POWER SUPPLY CORD for damage or signs of any aging before each use.
- 4 DO NOT PULL OR CARRY APPLIANCE BY CORD. Do not use cord as a handle. Keep cord away from heated surfaces or fire. Do not close door on cord or pull cord around sharp edges.
- 5 KEEP CORD AWAY FROM HEAT AND OIL. Do not leave cord lying around after job is complete. It can become a tripping hazard.
- 6 DO NOT RUN MACHINE OVER CORD.
- 7 TURN SWITCH TO OFF before unplugging power supply cord.
- 8 DO NOT UNPLUG BY PULLING CORD. To unplug, grasp plug, not cord.
- 9 DO NOT GRASP PLUG WITH WET HANDS.

- 10A DAMAGED CORD OR PLUG should only be replaced by an authorized service center representative. DO NOT ATTEMPT TO REPAIR POWER CORD.
- 11 TO AVOID SHOCK, do not expose to rain. Store indoors.
- 12 USE ONLY AS RECOMMENDED BY THIS MANUAL. Use only with recommended attachments.
- 13 KEEP HAIR, CLOTHING, LOOSE JEWELRY, FINGERS and all parts of the body away from openings and moving parts.
- 14 DO NOT BLOCK OR OBSTRUCT OPENINGS. Keep openings free of lint, hair, dust, and anything that restricts air flow.
- 15 DO NOT PICK UP ANYTHING THAT IS BURNING, smoldering, or smoking such as matches, cigarettes, or hot ashes.
- 16 DO NOT USE TO VACUUM COMBUSTIBLE EXPLOSIVE MATERIALS, such as coal, grain, and other finely divided combustible material.
- 17 DO NOT USE TO VACUUM COMBUSTIBLE, hazardous, toxic, or carcinogenic materials, including gasoline, diesel fuel, acetone, paint thinner, heating oils, undiluted acids and solvents, pesticide, and asbestos.
- 18 DO NOT ALLOW APPLIANCE TO BE USED AS A TOY. Keep children away from appliance.
- 19 DO NOT LEAVE UNATTENDED while appliance is running.
- 20 DO NOT USE IF CORD, PLUG OR MACHINE IS IN POOR CONDITION. If the Appliance has been dropped, damaged, exposed to weather, or dropped into water; have it checked by an authorized service.

- 21 ALWAYS USE EYE PROTECTION when operating appliance.
- 22 USE EXTRA CAUTION when operating on stairs.
- 23 STAY ALERT! Do not use appliance when you are tired or under the influence of drugs, alcohol or medication.
- 24 Do not use to pick up flammable or combustible liquids, such as gasoline, or use in areas where they may be present.
- 25 To Reduce the Risk of Fire, do not use a flammable or combustible liquid to clean a floor.
- 26 This appliance is provided with a double insulation. Use only identical replacement parts. See instructions for Servicing of Double-Insulated Appliances.

### Servicing of double-insulated machines



In a double-insulated machine, two systems of insulation are provided instead of grounding. No grounding means is provided on a double-insulated machine, nor should a means for grounding be added to the machine. Servicing a double-insulated machine requires extreme care and knowledge of the system, and should be done only by qualified service personnel. Replacement parts for a double-insulated machine must be identical to the parts they replace.

### General notes



Read the original instructions before using the device for the first time and act in accordance with it. Keep this document for future reference or for future owners.

- If the operating instructions and safety instructions are not observed, the device can be damaged and dangers could arise for users and other persons.
- Notify the dealer immediately in the case of shipping damage.
- Check the package contents when unpacking for missing accessories or for damage.

### Environmental protection



The packing materials can be recycled. Please dispose of packaging in accordance with the environmental regulations.



Electrical and electronic appliances contain valuable, recyclable materials and often components such as batteries, rechargeable batteries or oil, which - if handled or disposed of incorrectly - can pose a potential threat to human health and the environment. However, these components are required for the correct operation of the appliance. Appliances marked by this symbol are not allowed to be disposed of together with the household rubbish.

### Notes on the content materials (REACH)

Current information on content materials can be found at: [www.kaercher.com/REACH](http://www.kaercher.com/REACH)

### Hazard levels

## ⚠ DANGER

- Indication of an imminent threat of danger that will lead to severe injuries or even death.

## ⚠ WARNING

- Indication of a potentially dangerous situation that may lead to severe injuries or even death.

## ⚠ CAUTION

- Indication of a potentially dangerous situation that may lead to minor injuries.

## ATTENTION

- Indication of a potentially dangerous situation that may lead to damage to property.

### Intended use

- This spray retraction device is intended for wet cleaning of upholstery, textile covers, and carpets.
- This device is suitable for commercial use, e.g. in hotels, schools, hospitals, factories, shops, offices, and rental companies.

### Overview of the device

#### Quick Start Guide

#### Illustration A

- ① Connect the spray/suction hose to the device, connect the spray/suction hose to the upholstery nozzle
- ② Mixing cleaning solution, filling fresh water tank
- ③ Selecting operating modes
- ④ Cleaning
- ⑤ Emptying the fresh water tank
- ⑥ Emptying the wastewater container
- ⑦ Filling the fresh water tank (without detergent), rinsing the device
- ⑧ Cleaning the fluff filter, cleaning the fresh water filter
- ⑨ Allowing the device to dry

#### Device description

#### Illustration B

- ① Upholstery nozzle
- ② Holder for accessories
- ③ Type plate
- ④ Mains cable
- ⑤ Hook for spray/suction hose or cable hook
- ⑥ Spray switch
- ⑦ Suction switch
- ⑧ Casing

- ⑨ Steering roller
- ⑩ Spray hose connection
- ⑪ Suction hose connection
- ⑫ Cover
- ⑬ Fresh water tank
- ⑭ Device carrying handle
- ⑮ Nozzle mouthpiece (red)
- ⑯ Union nut
- ⑰ Lever on the upholstery nozzle
- ⑱ Spray hose
- ⑲ Suction hose
- ⑳ Spray / suction hose
- ㉑ Quick Start Guide
- ㉒ Wastewater container, removable
- ㉓ Wastewater container carrying handle
- ㉔ Cover seal
- ㉕ Fluff filter
- ㉖ Fresh water filter

**Table of nozzle mouthpieces**

Colour	Part number	Flow volume	Application	Approved for device
Yellow	6.415-165.0	0.53 gal/min (2.0 l/h)	Floor nozzle	Puzzi 10/2
Green	6.415-105.0	0.18 gal/min (0.7 l/h)	Floor nozzle	Puzzi 8/1, Puzzi 9/1 Bp
Brown	6.415-166.0	0.26 gal/min (1.0 l/h)	Floor nozzle	Puzzi 8/1, Puzzi 10/1
Blue	6.415-928.0	0.26 gal/min (1.0 l/h)	Upholstery nozzle	Puzzi 8/1, Puzzi 10/1, Puzzi 10/2, Puzzi 30/4
Red	6.415-097.0	0.15 gal/min (0.55 l/h)	Upholstery nozzle, short	Puzzi 8/1, Puzzi 9/1 Bp

## Start-up

1. Check the power cord, extension cable and hoses for damage before each start-up.

## Installing accessories

1. Connect the suction hose to the suction hose connection on the device. Insert the spray hose coupling into the spray hose connection on the device and latch into place.
2. Connect the suction hose to the upholstery nozzle. Connect the spray hose coupling to the upholstery nozzle and latch into place.

## Mixing the cleaning solution

### DANGER

#### Danger from detergents

Risk of injury and damage  
Observe all instructions that are included with the detergents used.

### Note

Warm water (maximum 122 °F/50 °C) increases the cleaning effect. Check the temperature resistance of the surface to be cleaned.

### Note

Use detergents sparingly to conserve the environment.

1. Mix fresh water and detergent in a clean container (concentration as specified for the detergent). Dissolve the detergent in the water.

## Filling the fresh water tank

1. Pour the cleaning solution into the fresh water tank. The filling level must not exceed the "MAX" mark.

## Defoaming agent

### Note

Foam is generated in the wastewater container when cleaning previously shampooed carpets. Foaming can be prevented by adding defoaming agents.



1. Add defoaming agent (special accessory) to the wastewater container.

## Operation

### Switching on the device

1. Connect the mains plug.
2. Press the suction switch to switch on the suction turbine.
3. Press the spray switch to switch on the spray pump.

### Cleaning mode

## ATTENTION

### Danger from cleaning solution

Risk of damage

Before using the device, check the object to be cleaned for colour fastness and water resistance in an inconspicuous place.

1. Remove loose dirt from the object to be cleaned.
2. Press the lever on the upholstery nozzle to spray the cleaning solution.
3. Run over the surface to be cleaned in overlapping paths. Pull the nozzle backwards (do not push).
4. When changing the nozzle, the upholstery nozzle can be inserted into the holder for accessories.

### Switching off the device

1. Switch off the spray switch and the suction switch.
2. Pull out the mains plug.

### Empty the wastewater container

1. Switch off the suction switch and the spray switch when the wastewater container is full.
2. Remove the cover.
3. Remove the wastewater container from the device and empty it.

### Emptying the fresh water tank

1. Switch off the device.
2. Briefly operate the lever on the upholstery nozzle to relieve pressure.
3. Disconnect the upholstery nozzle from the spray/suction hose.
4. Hang the suction hose in the fresh water tank.
5. Press the suction switch to switch on the suction turbine.
6. Suck the fresh water tank empty and switch off the device.
7. Remove the cover.
8. Remove the wastewater container from the device and empty it.

### Flushing the device

1. Connect the upholstery nozzle to the suction hose.
2. Connect the spray hose coupling to the upholstery nozzle and latch into place.
3. Pour approximately 0.5 gal (2 litres) of tap water into the fresh water tank. Do not add detergents.
4. Press the spray switch to switch on the spray pump.
5. Hold the upholstery nozzle over a drain.
6. Operate the lever on the upholstery nozzle and flush the device for 1 to 2 minutes.
7. Switch off the device.

### Each time after use

1. Flush the device.
2. Drain the wastewater container and clean it under running water.
3. Empty the fresh water tank.
4. Clean the exterior of the device with a damp cloth.
5. To avoid unpleasant smells, remove all water from the device before long downtimes.

- Let the device dry thoroughly: Remove the cover or move it to the side.

### Storing the device

- Wind the mains cable around the carrying handle of the device and the cover.

#### Illustration C

- Store the device in a dry room and secure it against unauthorised use.

## Cleaning methods

### Normal soiling

- Spray and vacuum up the cleaning solution in one step.

## Note

Repeated vacuuming without spraying shortens the drying time.

### Heavily soiling or stains

- Apply cleaning solution with the suction turbine switched off and let it work for 10 to 15 minutes.
- Clean the area as with normal soiling.

### Upholstery cleaning

- Use less detergent for sensitive fabrics and spray the surface at a distance of approx. 7.9 in (200 mm). Then only vacuum.

### Cleaning tips

- Spray heavily soiled areas in advance and allow the cleaning solution to work for 5 to 10 minutes.
- Always work from light to shadow (from window to door).
- Always work from the cleaned to the uncleaned area.
- The more sensitive the covering (oriental bridges, Berber, upholstery fabric) the lower the concentration of detergent.

- Carpets with jute backs can shrink and bleed in colour if the work is too wet.
- Brush wet pile carpets in the direction of the pile after cleaning when wet (e.g. with a fibre brush or scrubber).
- Impregnating after wet cleaning prevents the textile from being quickly soiled again.
- To avoid pressure points or rust stains, do not walk on or furnish the cleaned area until after it has fully dried.
- To improve the cleaning result, rinse the object with clean water after using detergents.

### Detergent

Description	Name	Dosing	Order number
CarpetPro cleaner (1.8 lbs/0.8 kg)	RM 760 powder	1%	6.295-849.0
CarpetPro cleaner, iCapsol (16 piece)	RM 760 tabs	2 tabs for 2.1 gal (8 litres)	6.295-850.0
CarpetPro cleaner, quick-drying (2.6 gal/10 litres)	RM 767 liquid	1.2%	6.295-198.0
CarpetPro cleaner (2.6 gal/10 litres)	RM 764 liquid	1%	6.295-854.0
CarpetPro impregnation (1.3 gal/5 litres)	RM 762 liquid	20%	6.295-852.0
Defoaming (0.7 gal/2.5 litres)	RM 761 liquid	0.5%	6.291-389.0

For further information, please request the product information sheet and the EU safety data sheet for the relevant cleaning agent.

## Transport

### CAUTION

#### Failure to observe the weight

Risk of injury and damage

Be aware of the weight of the device during transportation.

1. Wind the mains cable around the carrying handle of the device and the cover. Place the spray/suction hose in the hook. Insert the upholstery nozzle into the accessory holder.

#### Illustration D

2. When transporting the device in vehicles, secure it to prevent it from slipping or overturning in accordance with the respective valid guidelines.

## Storage

### CAUTION

#### Risk of injury and damage!

The device may tip over on sloping surfaces.

Be aware of the weight of the device during storage.

The device may only be operated indoors.

## Care and service

### DANGER

#### Danger of electric shock

Injuries due to touching live parts

Switch off the device.

Remove the mains plug.

#### Clean the fluff filter

1. Remove the cover.
2. Remove the wastewater container from the device.

3. Pull out the fluff filter.
4. Regularly clean the fluff filter under running water. If very dirty, open the frame and replace the fleece.

#### Clean the fresh water filter

1. Unscrew the fresh water filter.
2. Clean the fresh water filter under running water.

#### Clean the nozzle

1. Unscrew the union nut.
2. Clean the nozzle mouthpiece.

## Troubleshooting guide

### DANGER

#### Danger of electric shock

Injuries due to touching live parts

Switch off the device.

Remove the mains plug.

#### The device is not working

1. Check the socket and the power supply fuse.
2. Check the mains cable and the mains plug of the device.
3. Switch on the device.

#### No water emitted from the nozzle

1. Fill up the fresh water tank.
2. Check the couplings on the spray hose for correct seating.
3. Clean or replace the nozzle mouthpiece.
4. Clean the fresh water filter.
5. Spray pump defective, contact customer service.

#### Single-sided spray jet

1. Clean the nozzle mouthpiece.

#### Poor suction performance

1. Check that the cover is seated correctly.
2. Clean the seal on the cover and the contact surface on the device.
3. Clean the fluff filter.
4. Check the suction hose for clogging; clean if necessary.

## **Spray pump is loud**

1. Refill the fresh water tank.

## **Heavy foaming in the wastewater container**

1. Add defoaming agent (special accessory) to the wastewater container.

## **Customer Service department**

If the malfunction cannot be corrected, the device must be checked by the Customer Service department.

## **Warranty**


The warranty conditions issued by our relevant sales company apply in all countries. We shall remedy possible malfunctions on your appliance within the warranty period free of cost, provided that a material or manufacturing defect is the cause. In a warranty case, please contact your dealer (with the purchase receipt) or the next authorised customer service site.

(See overleaf for the address)

## **Accessories and spare parts**

Only use original accessories and original spare parts. They ensure that the appliance will run fault-free and safely. Information on accessories and spare parts can be found at [www.kaercher.com](http://www.kaercher.com).

## Technical data

Puzzi 8/1		
<b>Electrical connection</b>		
Mains voltage	V	120
Phase	~	1
Power frequency	Hz	60
Degree of protection		IPX4
Protection class		II
Rated current	A	9
Spray pump power	W	40
<b>Device performance data</b>		
Fresh water filling quantity	gal (l)	2.1 (8)
Wastewater filling quantity	gal (l)	1.8 (7)
Air quantity (max.)	CFM (l/s)	150 (71)
Vacuum (max.)	mm (kPa)	2590 (25.4)
Spray pressure	psi (MPa)	14.5 (0.1)
Spray pressure (max.)	psi (MPa)	43.5 (0.3)
Spray volume	gal/min (l/min)	0.26 (1)
Cleaning solution temperature (max.)	°F (°C)	122 (+50)
<b>Dimensions and weights</b>		
Typical operating weight	lbs (kg)	19.0 (8.6)
Length x width x height	in (mm)	20.5 x 13.0 x 16.5 (525 x 335 x 425)
<b>Ambient conditions</b>		
Ambient temperature (max.)	°F (°C)	104 (+40)
<b>Determined values in acc. with EN 60335-2-68</b>		
Sound pressure level $L_{pA}$	dB(A)	72
Uncertainty $K_{pA}$	dB(A)	1
Hand-arm vibration value	$m/s^2$	<2.5
Uncertainty K	$m/s^2$	0.2
<b>Mains cable</b>		
Power cord type		SJTW 2/16 AWG
Part number (CUL)		6.648-222.0
Cable length	ft (m)	33 (10)

Subject to technical modifications.

## Contenu

CONSIGNES DE SECURITE IMPORTANTES.....	14
Remarques générales.....	16
Protection de l'environnement.....	16
Niveaux de danger.....	16
Utilisation conforme.....	17
Récapitulatif des appareils.....	17
Mise en service.....	18
Commande.....	18
Méthodes de nettoyage.....	20
Transport.....	21
Stockage.....	21
Entretien et maintenance.....	21
Dépannage en cas de défaut.....	21
Garantie.....	22
Accessoires et pièces de rechange ...	22
Caractéristiques techniques.....	23

## CONSIGNES DE SECURITE IMPORTANTES

Lorsque vous utilisez un appareil électrique, vous devez prendre certaines précautions de base, dont la suivante :

### LIRE TOUTES LES INSTRUCTIONS AVANT D'UTILISER CETTE MACHINE

- Informer immédiatement votre fournisseur en cas de constat de dommage dû au transport.
- Sortir tous les accessoires de l'emballage.
- La machine n'est pas adaptée à l'aspiration de poussières dangereuses telles que celles d'amiante. Veuillez consulter votre spécialiste KÄRCHER ou votre distributeur KÄRCHER pour de telles utilisations.

- Ne faire fonctionner l'appareil que sur une prise de courant reliée à la terre. Se reporter aux caractéristiques techniques pour connaître le fusible principal nécessaire.

## CONSERVER CES INSTRUCTIONS

Cet appareil est conçu pour une utilisation commerciale.

## CONSIGNES DE SECURITE

### ⚠ AVERTISSEMENT

Pour réduire les risques d'incendie, de choc électrique ou de blessures :

- 1 DÉBRANCHER L'APPAREIL DU CIRCUIT ÉLECTRIQUE avant de retirer le couvercle, d'effectuer des travaux d'entretien et lorsque vous ne l'utilisez pas.
- 2 NE PAS LAISSER la machine sans surveillance lorsque la fiche est branchée.
- 3 CONTROLER, avant chaque utilisation, l'absence de dommages ou les signes de vieillissement sur le CABLE DE BRANCHEMENT AU SECTEUR.
- 4 NE PAS TIRER OU PORTER L'APPAREIL PAR LE CORDON. Ne pas utiliser le cordon comme poignée. Tenir le cordon éloigné des surfaces chaudes ou du feu. Ne pas refermer pas la porte sur le cordon et ne pas tirer le cordon à proximité de bords tranchants.

- 5 MAINTENIR LE CABLE DE BRANCHEMENT AU SECTEUR ELOIGNE DE LA CHALEUR ET DE L'HUILE. Ne pas laisser traîner le câble de branchement au secteur une fois les travaux terminés. Il peut être source de trébuchement.
- 6 NE PAS FAIRE ROULER L'APPAREIL SUR LE CORDON.
- 7 COUPER L'INTERRUPTEUR avant de débrancher la fiche secteur.
- 8 NE PAS DEBRANCHER LA FICHE SECTEUR DE LA PRISE DE COURANT EN TIRANT SUR LE CABLE DE BRANCHEMENT AU SECTEUR. Pour débrancher le secteur, tirer sur la fiche secteur, pas sur le câble de branchement au secteur.
- 9 NE PAS TOUCHER LA FICHE SECTEUR AVEC LES MAINS MOUILLEES.
- 10 Seul un collaborateur autorisé du service après-vente est habilité à remplacer UN CABLE DE BRANCHEMENT AU SECTEUR ENDOMMAGE OU UNE FICHE SECTEUR ENDOMMAGEE. NE PAS TENTER DE REPARER LE CABLE DE BRANCHEMENT AU SECTEUR.
- 11 POUR EVITER TOUT RISQUE D'ELECTROCUTION, ne pas placer l'appareil sous la pluie. Stocker à l'intérieur.
- 12 UTILISER CE MANUEL UNIQUEMENT CONFORMEMENT AUX RECOMMANDATIONS. Utilisation uniquement avec les extensions recommandées.
- 13 Maintenir les CHEVEUX, VETEMENTS, BIJOUX PENDANTS, DOIGTS et tous les membres du corps éloignés des ouvertures et des pièces mobiles.
- 14 NE PAS COUVRIR NI FERMER LES OUVERTURES. Maintenir les ouvertures à l'abri des peluches, cheveux et de la poussière, en particulier lorsque ceux-ci gênent le flux d'air.
- 15 NE PAS ASPIRER CE QUI BRULE, gonfle ou fume comme les allumettes, les cigarettes ou la cendre chaude.
- 16 NE PAS ASPIRER DE MATÉRIAUX COMBUSTIBLES EXPLOSIFS, tels que charbon, grains et autres matériaux combustibles finement divisés.
- 17 NE PAS ASPIRER DE MATÉRIAUX COMBUSTIBLES, dangereux, toxiques ou cancérigènes comme l'essence, le gas-oil, l'acétone, les diluants à peinture, le fuel domestique, les acides et les solvants non dilués, les pesticides et l'amiante.
- 18 L'APPAREIL NE DOIT PAS ÊTRE UTILISÉ COMME UN JOUET. Tenez les enfants à distance de l'appareil.
- 19 NE LAISSEZ PAS l'appareil fonctionner SANS SURVEILLANCE.
- 20 NE PAS UTILISER SI LE CORDON, LA FICHE OU LA MACHINE SONT EN MAUVAIS ÉTAT. Si l'appareil est tombé, a été endommagé, a été exposé aux intempéries ou est tombé dans l'eau, le faire vérifier par un service agréé.
- 21 TOUJOURS UTILISER UNE PROTECTION OCULAIRE lors de l'utilisation de l'appareil.
- 22 ÊTRE PARTICULIÈREMENT ATTENTIF, lors de l'utilisation dans des escaliers.
- 23 RESTEZ VIGILANT(E) ! N'utilisez pas l'appareil si vous êtes fatigué(e) ou sous l'influence de drogues, de l'alcool ou de médicaments.

24 N'utilisez pas l'appareil pour aspirer des liquides inflammables ou combustibles, par exemple de l'essence, et ne placez pas l'appareil dans des endroits dans lesquels de tels liquides pourraient se trouver.

25 Pour réduire le risque d'incendie, ne pas utiliser de liquide inflammable ou combustible pour nettoyer un sol.

26 Cet appareil est doté d'une double isolation. Utiliser uniquement des pièces de rechange identiques. Voir les instructions pour l'entretien des appareils à double isolation.

### Maintenance d'appareils à double isolation

#### DOUBLE ISOLATION



Les appareils à double isolation sont équipés de deux systèmes d'isolation en place de la liaison à la terre. L'appareil à double isolation ne présente pas de moyen de protection à la terre et ne doit pas se voir ajouter de moyen de protection à la terre. La maintenance d'un appareil à double isolation requiert une attention extrême ainsi que des connaissances du système et doit être réalisée uniquement par un personnel de maintenance qualifié. Les pièces de rechange pour un appareil à double isolation doivent être identiques aux pièces à remplacer.

### Remarques générales



Veuillez lire ce manuel d'instructions original avant la première utilisation de votre appareil et agissez conformément. Conservez ce document pour une utilisation ultérieure ou pour le propriétaire suivant.

- Le non-respect du manuel d'utilisation et des consignes de sécurité peut entraîner des dommages sur l'appareil et des dangers pour l'opérateur et d'autres personnes.
- Informer immédiatement le vendeur en cas de dommage dû au transport.
- Vérifiez le contenu de l'emballage lors du déballage, qu'il ne manque pas d'accessoires et qu'il n'y a pas de dommage.

### Protection de l'environnement



Les matériaux d'emballage sont recyclables. Veuillez éliminer les emballages dans le respect de l'environnement.



Les appareils électriques et électroniques contiennent des matériaux précieux recyclables et souvent des composants tels que des piles, batteries ou de l'huile représentant un danger potentiel pour la santé humaine et l'environnement, s'ils ne sont pas manipulés ou éliminés correctement. Ces composants sont cependant nécessaires pour le fonctionnement correct de l'appareil. Les appareils marqués par ce symbole ne doivent pas être jetés dans les ordures ménagères.

### Remarques concernant les matières composantes (REACH)

Les informations actuelles concernant les matières composantes sont disponibles sous : [www.kaercher.com/REACH](http://www.kaercher.com/REACH)

### Niveaux de danger



## DANGER

- Indique un danger immédiat qui peut entraîner de graves blessures corporelles ou la mort.



## ⚠ AVERTISSEMENT

- Indique une situation potentiellement dangereuse qui peut entraîner de graves blessures corporelles ou la mort.

## ⚠ PRÉCAUTION

- Indique une situation potentiellement dangereuse qui peut entraîner des blessures légères.

## ATTENTION

- Indique une situation potentiellement dangereuse qui peut entraîner des dommages matériels.

### Utilisation conforme

- Cet appareil d'injection/extraction est destiné au nettoyage à l'eau de capitonnages, revêtements textiles, tapis et moquettes.
- Cet appareil est adapté à une utilisation professionnelle, p. ex. dans les hôtels, écoles, hôpitaux, usines, magasins, bureaux et loueurs.

### Récapitulatif des appareils

#### Instructions de démarrage rapide

#### Illustration A

- ① Raccordement du flexible d'aspersion/tuyau d'aspiration à l'appareil, raccordement du flexible d'aspersion/tuyau d'aspiration au suceur pour canapés
- ② Préparer la solution de nettoyage, remplir le réservoir d'eau propre
- ③ Sélectionner le mode de fonctionnement
- ④ Nettoyer
- ⑤ Vider le réservoir d'eau propre
- ⑥ Vider le réservoir d'eau sale
- ⑦ Remplir le réservoir d'eau propre (sans détergent), rincer l'appareil
- ⑧ Nettoyer le filtre anti-peluches, nettoyer le filtre à eau propre
- ⑨ Laisser sécher l'appareil

### Description de l'appareil

#### Illustration B

- ① Suceur pour canapés
- ② Support pour accessoires
- ③ Plaque signalétique
- ④ Câble secteur
- ⑤ Crochet pour tuyau de pulvérisation/d'aspiration ou crochet de câble
- ⑥ Interrupteur de pulvérisation
- ⑦ Interrupteur d'aspiration
- ⑧ Boîtier
- ⑨ Roue directionnelle
- ⑩ Raccord du flexible d'aspersion
- ⑪ Raccord de tuyau d'aspiration
- ⑫ Couvercle
- ⑬ Réservoir d'eau propre
- ⑭ Poignée de transport de l'appareil
- ⑮ Embout de buse (rouge)
- ⑯ Ecrou-raccord
- ⑰ Levier sur le suceur pour canapés
- ⑱ Flexible d'aspersion
- ⑲ Tuyau d'aspiration
- ⑳ Flexible d'aspersion/tuyau d'aspiration
- ㉑ Instructions de démarrage rapide
- ㉒ Réservoir d'eau sale, amovible
- ㉓ Poignée de transport du réservoir d'eau sale
- ㉔ Joint sur le couvercle
- ㉕ Filtre anti-peluches
- ㉖ Filtre à eau propre

#### Tableau des embouts de buse

Couleur	Référence de pièce	Débit	Utilisation	Approuvé pour l'appareil
Jaune	6.415-165.0	0,53 gal/min (2,0 l/min)	Buse pour sol	Puzzi 10/2
Vert	6.415-105.0	0,18 gal/min (0,7 l/min)	Buse pour sol	Puzzi 8/1, Puzzi 9/1 Bp

Couleur	Référence de pièce	Débit	Utilisation	Approuvé pour l'appareil
Mar-ron	6.415-166.0	0,26 gal/min (1,0 l/min)	Buse pour sol	Puzzi 8/1, Puzzi 10/1
Bleu	6.415-928.0	0,26 gal/min (1,0 l/min)	Suceur pour canapés	Puzzi 8/1, Puzzi 10/1, Puzzi 10/2, Puzzi 30/4
Rouge	6.415-097.0	0,15 gal/min (0,55 l/min)	Suceur pour canapé, court	Puzzi 8/1, Puzzi 9/1 Bp

### Mise en service

- Vérifier que le câble secteur, le câble de rallonge et les flexibles ne sont pas endommagés avant chaque mise en service.

### Montage des accessoires

- Raccorder le tuyau d'aspiration au raccord de tuyau d'aspiration de l'appareil. Insérer le raccord du flexible d'aspersion au niveau du raccord de flexible d'aspiration de l'appareil et l'enclencher.
- Connecter le tuyau d'aspiration au suceur pour canapés. Connecter le raccord du flexible d'aspersion au suceur pour canapés et l'enclencher.

### Préparer la solution de nettoyage

## DANGER

### Danger dû au détergent

Risque sanitaire et d'endommagement  
Respecter toutes les remarques jointes aux détergents.

## Remarque

L'eau chaude (maximum 122 °F/ 50 °C) augmente le pouvoir nettoyant. Vérifier la résistance à la température de la surface à nettoyer.

## Remarque

Pour la protection de l'environnement, utiliser les détergents avec parcimonie.

- Mélanger l'eau fraîche et le détergent dans un récipient propre (concentration telle que spécifiée dans les informations pour le détergent). Dissoudre le détergent dans l'eau.

### Remplir le réservoir d'eau propre

- Verser la solution de nettoyage dans le réservoir d'eau propre. Le niveau de remplissage ne doit pas dépasser le marquage « MAX ».

### Agent antimousse

## Remarque

Lors du nettoyage des moquettes préalablement shampooinées, de la mousse est générée dans le réservoir d'eau sale. La formation de la mousse peut être évitée en ajoutant des agents antimousse.

- Verser l'agent antimousse (accessoire spécial) dans le réservoir d'eau sale.

### Commande

#### Démarrer l'appareil

- Brancher la fiche secteur.
- Appuyer sur l'interrupteur d'aspiration pour allumer la turbine d'aspiration.
- Appuyer sur l'interrupteur de pulvérisation pour allumer la pompe de pulvérisation.

## Opération de nettoyage

# ATTENTION

### Danger lié à la solution de nettoyage

Risque d'endommagement

Avant d'utiliser l'appareil, vérifier la tenue des couleurs et la résistance à l'eau de l'objet à nettoyer sur une zone peu visible.

1. Retirer les saletés éparses de l'objet à nettoyer.
2. Pour vaporiser la solution de nettoyage, actionner le levier sur le suceur pour canapés.
3. Repasser plusieurs fois en bande sur la surface à nettoyer. Tirer pour cela la buse vers l'arrière (ne pas pousser).
4. Lors du remplacement de buse, le suceur pour canapés peut être inséré dans le support d'accessoires.

### Mise hors tension de l'appareil

1. Désactiver l'interrupteur de pulvérisation et l'interrupteur d'aspiration.
2. Débrancher la fiche secteur.

### Vider le réservoir d'eau sale

1. Si le réservoir d'eau sale est plein, désactiver l'interrupteur d'aspiration et l'interrupteur de pulvérisation.
2. Retirer le couvercle.
3. Sortir le réservoir d'eau sale de l'appareil et le vider.

### Vider le réservoir d'eau propre

1. Eteindre l'appareil.
2. Actionner brièvement le levier sur le suceur pour canapés pour relâcher la pression.
3. Débrancher le suceur pour canapés du flexible d'aspersion/d'aspiration.
4. Accrocher le tuyau d'aspiration dans le réservoir d'eau propre.
5. Appuyer sur l'interrupteur d'aspiration pour allumer la turbine d'aspiration.

6. Vider le réservoir d'eau propre et éteindre l'appareil.
7. Retirer le couvercle.
8. Sortir le réservoir d'eau sale de l'appareil et le vider.

### Rincer l'appareil

1. Raccorder le suceur pour canapés au tuyau d'aspiration.
2. Connecter le raccord du flexible d'aspersion au suceur pour canapés et l'enclencher.
3. Verser environ 0,5 gal (2 litres) d'eau potable dans le réservoir d'eau propre. Ne pas utiliser de détergent.
4. Appuyer sur l'interrupteur de pulvérisation pour allumer la pompe de pulvérisation.
5. Tenir le suceur pour canapés au-dessus d'une évacuation d'eau.
6. Actionner le levier sur le suceur pour canapés et rincer l'appareil pendant 1 à 2 minutes.
7. Eteindre l'appareil.

### Après chaque fonctionnement

1. Rincer l'appareil.
2. Vider le réservoir d'eau sale et le nettoyer à l'eau courante.
3. Vider le réservoir d'eau propre.
4. Nettoyer l'extérieur du réservoir avec un chiffon humide.
5. Pour éviter toute nuisance olfactive, retirer toute l'eau de l'appareil avant une période d'arrêt prolongée.
6. Laisser l'appareil sécher complètement : Retirer le couvercle ou le déplacer sur le côté.

### Rangement de l'appareil

1. Enrouler le câble secteur autour de la poignée de transport de l'appareil et du couvercle.

### Illustration C

- Placer l'appareil dans un endroit sec et le sécuriser contre une utilisation intempestive.

## Méthodes de nettoyage

### Encrassement normal

- Asperger et aspirer la solution de nettoyage en une seule opération.

## Remarque

Une aspiration répétée sans pulvérisation raccourcit le temps de séchage.

### Fort encrassement ou tâches

- Appliquer la solution de nettoyage avec la turbine d'aspiration éteinte et laisser agir 10 à 15 minutes.
- Nettoyer la zone comme en cas d'encrassement normal.

### Nettoyage de meubles capitonnés et surfaces textiles

- Utiliser moins de détergent pour des substances sensibles et vaporiser la surface à une distance d'environ 7,9 po (200 mm). Ensuite, aspirer uniquement.

### Conseils de nettoyage

- Vaporiser à l'avance les zones très sales et laisser la solution de nettoyage agir pendant 5 à 10 minutes.
- Travailler toujours de la lumière à l'ombre (de la fenêtre à la porte).
- Travailler toujours de la zone nettoyée à la zone non nettoyée.
- Plus le revêtement est sensible (tapis orientaux, berbères, tissu d'ameublement), plus la concentration de détergent est faible.
- La moquette à dos de jute peut rétrécir et les couleurs peuvent dégorger si le travail est trop humide.
- À l'état encore mouillé, brosser les tapis à poils longs dans le sens du fil après les avoir nettoyés (par exemple avec un balai pour tapis ou une brosse pour sols).

- Une imperméabilisation après le nettoyage à l'eau évite un ré-encrassement rapide du revêtement textile.
- Ne pas marcher sur la zone nettoyée ou ne pas y poser de meubles avant qu'elle soit parfaitement sèche de manière à éviter tout impact et tache de rouille.
- Pour améliorer le résultat du nettoyage, rincer l'objet à l'eau claire après avoir appliqué des détergents.

## Détergents

Désignation	Nom	Do- sage	Réfé- rence
Nettoyant CarpetPro (1,8 lbs/ 0,8 kg)	Poudre RM 760	1 %	6.295-849.0
Nettoyant CarpetPro, iCapsol (16 pièces)	Pastilles RM 760	2 pastilles pour 2,1 gal (8 litres)	6.295-850.0
Nettoyant CarpetPro, séchage rapide (2,6 gal/10 litres)	RM 767 liquide	1,2 %	6.295-198.0
Nettoyant CarpetPro (2,6 gal/ 10 litres)	RM 764 liquide	1 %	6.295-854.0
Imperméabilisation CarpetPro (1,3 gal/ 5 litres)	RM 762 liquide	20 %	6.295-852.0
Agent anti-mousse (0,7 gal/ 2,5 litres)	RM 761 liquide	0,5 %	6.291-389.0

Pour plus d'informations, veuillez demander la fiche d'informations sur le produit et la fiche de données de sécurité de l'UE pour le produit de nettoyage correspondant.

## Transport

### PRECAUTION

#### Non-observation du poids

Risque de blessure et d'endommagement

Observer le poids de l'appareil pour le transport.

1. Enrouler le câble secteur autour de la poignée de transport de l'appareil et du couvercle. Placer le flexible d'aspersion/tuyau d'aspiration dans le crochet. Insérer le suceur pour canapés dans le support pour accessoires.

#### Illustration D

2. En cas de transport de l'appareil dans des véhicules, le bloquer contre le glissement et le basculement suivant les normes en vigueur.

## Stockage

### PRECAUTION

#### Risque de blessure et d'endommagement !

L'appareil peut basculer sur des surfaces inclinées.

Tenir compte du poids de l'appareil pour le stockage.

L'appareil ne peut être exploité qu'en espace intérieur.

## Entretien et maintenance

### DANGER

#### Risque d'électrocution

Blessures dues au contact avec des pièces sous tension

Mettre l'appareil hors tension.

Débrancher la fiche secteur.

## Nettoyer le filtre anti-peluches

1. Retirer le couvercle.
2. Sortir le réservoir d'eau sale de l'appareil.
3. Retirer le filtre anti-peluches.
4. Nettoyer régulièrement le filtre anti-peluches à l'eau courante. En cas de fort encrassement, ouvrir le cadre et remplacer le non-tissé.

## Nettoyer le filtre à eau propre

1. Dévisser le filtre à eau propre.
2. Nettoyer régulièrement le filtre à eau propre à l'eau courante.

## Nettoyer la buse

1. Dévisser l'écrou-raccord.
2. Nettoyer l'embout de la buse.

## Dépannage en cas de défaut

### DANGER

#### Risque d'électrocution

Blessures dues au contact avec des pièces sous tension

Mettre l'appareil hors tension.

Débrancher la fiche secteur.

#### L'appareil ne fonctionne pas

1. Contrôler la prise de courant et le fusible de l'alimentation électrique.
2. Contrôler le câble d'alimentation électrique et la fiche secteur de l'appareil.
3. Mettre l'appareil sous tension.

#### Aucune fuite d'eau au niveau de la buse

1. Remplir le réservoir d'eau propre.
2. Vérifier que les raccords sont correctement positionnés sur le flexible d'aspersion.
3. Nettoyer ou remplacer l'embout de la buse.
4. Nettoyer le filtre à eau propre.
5. Pompe de pulvérisation défectueuse, contacter le service après-vente.

### **Jet de pulvérisation d'un côté**

1. Nettoyer l'embout de la buse.

### **Puissance d'aspiration insuffisante**

1. Vérifier que le couvercle est correctement installé.
2. Nettoyer le joint du couvercle et la surface de contact de l'appareil.
3. Nettoyer le filtre anti-peluches.
4. Vérifier si le tuyau d'aspiration est bouché, le nettoyer si nécessaire.

### **Pompe de pulvérisation bruyante**

1. Remplir le réservoir d'eau propre.

### **Formation intense de mousse dans le réservoir d'eau sale**

1. Verser l'agent antimousse (accessoire spécial) dans le réservoir d'eau sale.

### **Service après-vente**

Si le défaut ne peut pas être éliminé, l'appareil doit être contrôlé par le service après-vente.

### **Garantie**

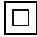
Les conditions de garantie publiées par notre société commerciale compétente s'appliquent dans chaque pays. Nous remédions gratuitement aux défauts possibles sur votre appareil dans la durée de garantie dans la mesure où la cause du défaut est un vice de matériau ou de fabrication. En cas de garantie, veuillez vous adresser à votre distributeur ou au point de service après-vente autorisé le plus proche avec la facture d'achat. (Voir l'adresse au dos)

### **Accessoires et pièces de rechange**

Utiliser exclusivement des accessoires et pièces de rechange originaux. Ceux-ci garantissent le fonctionnement sûr et sans défaut de votre appareil.

Des informations sur les accessoires et pièces de rechange sont disponibles sur le site Internet [www.kaercher.com](http://www.kaercher.com).

## Caractéristiques techniques

Puzzi 8/1		
<b>Raccordement électrique</b>		
Tension du secteur	V	120
Phase	~	1
Fréquence du secteur	Hz	60
Type de protection		IPX4
Classe de protection		II
Intensité nominale	A	9
Puissance de la pompe de pulvérisation	W	40
<b>Caractéristiques de puissance de l'appareil</b>		
Volume de remplissage de l'eau du robinet	gal (l)	2.1 (8)
Volume de remplissage d'eau sale	gal (l)	1.8 (7)
Débit d'air (max.)	CFM (l/s)	150 (71)
Dépression (max.)	mm (kPa)	2590 (25.4)
Pression de pulvérisation	psi (MPa)	14.5 (0.1)
Pression de pulvérisation (max.)	psi (MPa)	43.5 (0.3)
Quantité à pulvériser	gal/min (l/min)	0.26 (1)
Température de la solution de nettoyage (max.)	°F (°C)	122 (+50)
<b>Dimensions et poids</b>		
Poids opérationnel typique	lbs (kg)	19.0 (8.6)
Longueur x largeur x hauteur	in (mm)	20.5 x 13.0 x 16.5 (525 x 335 x 425)
<b>Conditions ambiantes</b>		
Température ambiante (max.)	°F (°C)	104 (+40)
<b>Valeurs déterminées selon EN 60335-2-68</b>		
Niveau de pression acoustique $L_{pA}$	dB(A)	72
Incertitude $K_{pA}$	dB(A)	1
Valeur de vibrations main-bras	$m/s^2$	<2.5
Incertitude K	$m/s^2$	0.2
<b>Câble d'alimentation</b>		
Type de câble secteur		SJTW 2/16 AWG
Référence de pièce (CUL)		6.648-222.0
Longueur de câble	ft (m)	33 (10)

Sous réserve de modifications techniques.

## Índice de contenidos

INTRUCCIONES DE SEGURIDAD IMPORTANTES.....	24
Avisos generales.....	26
Protección del medioambiente.....	26
Niveles de peligro.....	26
Uso previsto.....	27
Sinopsis del equipo.....	27
Puesta en funcionamiento.....	28
Manejo.....	28
Métodos de limpieza.....	29
Transporte.....	31
Almacenamiento.....	31
Conservación y mantenimiento.....	31
Ayuda en caso de fallos.....	31
Garantía.....	32
Accesorios y recambios.....	32
Datos técnicos.....	33

## INTRUCCIONES DE SEGURIDAD IMPORTANTES

En caso de utilizar herramientas eléctricas acopladas al aparato, deberán observarse estrictamente todas las normas de seguridad básicas, a fin de prevenir cualquier riesgo de incendio, descargas eléctricas o daños o lesiones del personal encargado de manipular los mismos:

## LEA TODAS LAS INSTRUCCIONES ANTES DE USAR ESTA MÁQUINA

- Informe de inmediato a su distribuidor si hay daños de transporte.
- Extraiga el accesorio al completo del embalaje.

- La máquina no es apta para aspirar polvos peligrosos como el amianto. Póngase en contacto con su sucursal o distribuidor de KÄRCHER para realizar consultas sobre este tipo de usos.
- Maneje el aparato únicamente en una toma de corriente con conexión a tierra. Consulte los datos técnicos para ver el fusible principal necesario.

## GUARDE ESTAS INSTRUCCIONES

Este aparato está destinado a un uso comercial.

## INTRUCCIONES DE SEGURIDAD

### ⚠ ADVERTENCIA

Para reducir el peligro de incendio, choque eléctrico o lesión:

- 1 DESCONECTE EL APARATO DEL CIRCUITO DE ALIMENTACIÓN antes de retirar la cubierta, realizar trabajos de mantenimiento y cuando no esté en uso.
- 2 NO DEJAR la máquina sin supervisión si el conector está conectado.
- 3 COMPROBAR siempre si hay daños o síntomas de envejecimiento en EL CABLE DE CONEXIÓN DE RED antes de cada utilización.
- 4 NO TIRE NI TRANSPORTE EL APARATO SUJETÁNDOLO POR EL CABLE. No utilice el cable como un asa. Mantenga el cable alejado de las superficies con calor o del fuego. No cierre la puerta sobre el cable ni tire de del cable alrededor de bordes afilados.



- 5 MANTENER EL CABLE DE CONEXIÓN DE RED ALEJADO DEL CALOR Y EL ACEITE. No dejar tirado el cable de conexión de red tras finalizar el trabajo. Puede representar un peligro.
- 6 NO DEJE QUE LA MÁQUINA PASE POR ENCIMA DEL CABLE.
- 7 Antes de extraer el conector de red, DESCONECTAR EL CONECTOR.
- 8 NO TIRAR DEL CONECTOR DE RED TIRANDO DE LA TOMA DE TIERRA DEL CABLE DE CONEXIÓN DE RED. Para desconectar la red eléctrica, tirar del conector de red, no del cable de conexión de red.
- 9 NO TORCAR EL CONECTOR DE RED CON MANOS MOJADAS.
- 10 Solo un representante del servicio técnico autorizado puede sustituir UN CABLE DE CONEXIÓN DE RED DAÑADO O UN CONECTOR DE RED DAÑADO. NO INTENTAR REPARAR UN CABLE DE CONEXIÓN DE RED.
- 11 PARA EVITAR UN CHOQUE ELÉCTRICO, no exponer el equipo a la lluvia. Almacenar en interiores.
- 12 UTILIZAR SOLO CONFORME A LAS RECOMENDACIONES DE ESTE MANUAL. Utilizar solamente con los accesorios recomendados.
- 13 Mantener alejado PELO, ROPA, SUCIEDAD SUELTA, DEDOS y todas partes del cuerpo de las aberturas y piezas móviles.
- 14 NO TAPAR O CERRAR LAS ABERTURAS. Mantener las aberturas libres de pelusas, pelos y polvo, así como todas las que obstaculiza el flujo de aire.
- 15 NO ASPIRAR NADA QUE ARDA, que se carbonice o genere humo, como cerillas, cigarrillos o llamas calientes.
- 16 NO ASPIRE MATERIALES COMBUSTIBLES O EXPLOSIVOS, tal como carbón de piedra, cereales (o su polvo) u otra sustancia fina y combustible.
- 17 NO ASPIRE MATERIALES COMBUSTIBLES, peligrosos, tóxicos o carcinógenos por ejemplo: gasolina, gasoil (petróleo para diesel), acetona, diluyente para pintura, aceite combustible, ácidos y disolventes no diluidos, pesticidas y amianto (asbesto).
- 18 NO PERMITA QUE EL APARATO SE UTILICE COMO UN JUGUETE. Mantenga a los niños alejados del aparato.
- 19 NO DEJE EL APARATO SIN SUPERVISIÓN mientras está en funcionamiento.
- 20 NO UTILICE SI EL CABLE, EL CONECTOR O LA MÁQUINA ESTÁN EN UN ESTADO DEFICIENTE. Si el aparato se ha caído, dañado, ha estado expuesto a la intemperie o caído al agua, solicite que sea revisado por un servicio de reparación autorizado.
- 21 UTILICE SIEMPRE PROTECCIÓN PARA LOS OJOS cuando maneje el aparato.
- 22 TENER ESPECIAL CUIDADO con las escaleras durante el uso.
- 23 MANTÉNGASE ALERTA. No use el aparato si está cansado o bajo la influencia de las drogas, el alcohol o medicación.
- 24 No utilice el equipo para absorber líquidos inflamables o combustibles, como gasolina, y no lo utilice en áreas donde dichos líquidos puedan estar presentes.
- 25 Para reducir el peligro de incendio, no utilice un líquido inflamable o combustible para limpiar el suelo.

26 Este aparato está provisto de un doble aislamiento. Utilice solo piezas de repuesto idénticas. Véanse las instrucciones para el mantenimiento de los aparatos con doble aislamiento.

### Mantenimiento de equipos con doble aislamiento

#### DOBLE AISLAMIENTO



Los equipos con doble aislamiento están equipados con dos sistemas de aislamiento en lugar de la toma de tierra. En un equipo con doble aislamiento no hay ningún de protección de la puesta a tierra disponible y no se debe añadir ninguno al equipo. El mantenimiento de un dispositivo con doble aislamiento requiere especial cuidado y conocimiento del sistema, y solo puede realizarlo personal de mantenimiento cualificado. Los recambios para un equipo con doble aislamiento deben ser idénticos a las piezas que utiliza.

### Avisos generales



Antes de utilizar por primera vez el equipo, lea este manual de instrucciones y sígalo. Conserve el documento para su uso posterior o para futuros propietarios.

- En caso de no respetar el manual de instrucciones o las instrucciones de seguridad, se pueden causar daños al equipo y crear peligros para el operario y otras personas.
- Informe inmediatamente a su distribuidor si se han producido daños durante el transporte.
- Compruebe si faltan accesorios en el contenido del paquete o si existen daños.

### Protección del medioambiente



Los materiales del embalaje son reciclables. Elimine los embalajes de forma respetuosa con el medioambiente.



Los equipos eléctricos y electrónicos contienen materiales reciclables y, a menudo, componentes, como baterías, acumuladores o aceite, que suponen un riesgo potencial para la salud de las personas o el medioambiente en caso de manipularse o eliminarse de forma inadecuada. Sin embargo, dichos componentes son necesarios para un servicio adecuado del equipo. Los equipos identificados con este símbolo no pueden eliminarse con la basura doméstica.

### Avisos sobre sustancias contenidas (REACH)

Encontrará información actual sobre las sustancias contenidas en:

[www.kaercher.com/REACH](http://www.kaercher.com/REACH)

### Niveles de peligro

#### ⚠ PELIGRO

- Aviso de un peligro inminente que produce lesiones corporales graves o la muerte.

#### ⚠ ADVERTENCIA

- Aviso de una posible situación peligrosa que puede producir lesiones corporales graves o la muerte.

#### ⚠ PRECAUCIÓN

- Aviso de una posible situación peligrosa que puede producir lesiones corporales leves.

#### ⚠ CUIDADO

- Aviso de una posible situación peligrosa que puede producir daños materiales.

## Uso previsto

- Este equipo de pulverización y aspiración combinadas está diseñado para la limpieza en húmedo de acolchados, fundas de tela, moquetas y alfombras.
- Este equipo es apto para el uso industrial, p. ej. en hoteles, escuelas, hospitales, fábricas, tiendas, oficinas y negocios de alquiler.

## Sinopsis del equipo

### Guía de inicio rápido

#### Figura A

- 1 Conectar la manguera de pulverización/aspiración al equipo, conectar la manguera de pulverización/aspiración a la boquilla para acolchado
- 2 Preparar la solución de limpieza, llenar el depósito de agua fresca
- 3 Seleccionar modo de funcionamiento
- 4 Limpieza
- 5 Vaciar el depósito de agua fresca
- 6 Vaciar el recipiente de agua sucia
- 7 Llenar el depósito de agua fresca (sin detergente), enjuagar el equipo
- 8 Limpiar el filtro de pelusas, limpiar el filtro de agua fresca
- 9 Dejar que el equipo se seque

### Descripción del equipo

#### Figura B

- 1 Boquilla para acolchado
- 2 Soporte para los accesorios
- 3 Placa de características
- 4 Cable de red
- 5 Gancho para la manguera de pulverización/aspiración o para cables
- 6 Interruptor de pulverización
- 7 Interruptor de aspiración
- 8 Carcasa
- 9 Rodillo de dirección
- 10 Conexión de la manguera de pulverización
- 11 Conexión para mangueras de aspiración
- 12 Tapa
- 13 Depósito de agua fresca

- 14 Asa de transporte del equipo
- 15 Boquilla de la boquilla (roja)
- 16 Tuerca racor
- 17 Palanca de la boquilla para acolchado
- 18 Manguera de pulverización
- 19 Manguera de aspiración
- 20 Manguera de pulverización/aspiración
- 21 Guía de inicio rápido
- 22 Recipiente de agua sucia, extraíble
- 23 Asa de transporte del recipiente de agua sucia
- 24 Sellado en la tapa
- 25 Filtro de pelusas
- 26 Filtro de agua fresca

### Tabla de boquillas de la boquilla

Color	Referencia	Volumen de caudal	Uso	Aprobada para el equipo
Amarillo	6.415-165.0	0,53 gal/min (2,0 l/min)	Boquilla para suelos	Puzzi 10/2
Verde	6.415-105.0	0,18 gal/min (0,7 l/min)	Boquilla para suelos	Puzzi 8/1, Puzzi 9/1 Bp
Marrón	6.415-166.0	0,26 gal/min (1,0 l/min)	Boquilla para suelos	Puzzi 8/1, Puzzi 10/1
Azul	6.415-928.0	0,26 gal/min (1,0 l/min)	Boquilla para acolchado	Puzzi 8/1, Puzzi 10/1, Puzzi 10/2, Puzzi 30/4
Rojo	6.415-097.0	0,15 gal/min (0,55 l/min)	Boquilla para acolchado, corta	Puzzi 8/1, Puzzi 9/1 Bp

## Puesta en funcionamiento

1. Comprobar si hay daños en el cable de red, el cable de prolongación y las mangueras antes de cada puesta en funcionamiento.

## Montaje de los accesorios

1. Conectar la manguera de aspiración a la conexión para mangueras de aspiración del equipo. Insertar el acoplamiento de la manguera de pulverización en la conexión para manguera de pulverización y aspiración del equipo y ajustar en su lugar.
2. Conectar la manguera de aspiración a la boquilla para acolchado. Conectar el acoplamiento de la manguera de pulverización a la boquilla para acolchado y ajustarla en su lugar.

## Preparación de la solución de limpieza

### PELIGRO

#### Peligro por detergente

Peligro de daños y riesgo para la salud. Observe todas las instrucciones que se incluyen con los detergentes utilizados.

### Nota

El agua tibia (máximo 122 °F/50 °C) aumenta el efecto de limpieza. Verificar la resistencia a la temperatura de la superficie a limpiar.

### Nota

Utilizar los detergentes con moderación para proteger el medio ambiente.

1. Mezclar agua fresca y detergente en un recipiente limpio (concentración como se especifica para el detergente). Disolver el detergente en el agua.

## Llenar el depósito de agua fresca

1. Llenar el depósito de agua fresca con solución de limpieza. El nivel de llenado no debe exceder la marca "MAX".

## Agente antiespumante

### Nota

Al limpiar alfombras previamente lavadas, se genera espuma en el recipiente de agua sucia. La espuma puede evitarse agregando agentes antiespumantes.

1. Poner el agente antiespumante (accesorio especial) en el recipiente de agua sucia.

## Manejo

### Conexión del equipo

1. Enchufar el conector de red.
2. Presionar el interruptor de aspiración para encender la turbina de aspiración.
3. Presionar el interruptor de pulverización para encender la bomba de pulverización.

### Servicio de limpieza

## CUIDADO

### Peligro por la solución de limpieza

Peligro de daños

Antes de usar el equipo, verifique la solidez del color y la resistencia al agua del objeto a limpiar en un lugar discreto.

1. Eliminar la contaminación suelta del objeto a limpiar.
2. Para rociar la solución de limpieza, accionar la palanca de la boquilla para acolchado.
3. Ejecutar sobre la superficie a limpiar en trayectorias superpuestas. Tirar de la boquilla hacia atrás (no empujar).

4. Al realizar el cambio de boquillas, la boquilla para acolchado puede insertarse en el soporte para accesorios.

### **Desconexión del equipo**

1. Apagar el interruptor de pulverización y el interruptor de aspiración.
2. Desenchufe el conector de red.

### **Vaciar el recipiente de agua sucia**

1. Si el recipiente de agua sucia está lleno, apagar el interruptor de aspiración y el interruptor de pulverización.
2. Retire la tapa.
3. Sacar el recipiente de agua sucia del equipo y vaciar.

### **Vaciado del depósito de agua fresca**

1. Desconectar el equipo.
2. Accionar brevemente la palanca de la boquilla para acolchado para aliviar la presión.
3. Desconectar la boquilla para acolchado de la manguera de pulverización/aspiración.
4. Colgar la manguera de aspiración en el depósito de agua fresca.
5. Presionar el interruptor de aspiración para encender la turbina de aspiración.
6. Vaciar el depósito de agua fresca y desconectar el equipo.
7. Retirar la tapa.
8. Sacar el recipiente de agua sucia del equipo y vaciar.

### **Lavado del equipo**

1. Conectar la boquilla para acolchado a la manguera de aspiración.
2. Conectar el acoplamiento de la manguera de pulverización a la boquilla para acolchado y ajustarla en su lugar.

3. Llenar depósito de agua fresca con aproximadamente 0,5 gal (2 litros) de agua del grifo. No añadir detergentes.
4. Presionar el interruptor de pulverización para encender la bomba de pulverización.
5. Sostener la boquilla para acolchado sobre un desagüe.
6. Accionar la palanca de la boquilla para acolchado y enjuagar el equipo entre 1 y 2 minutos.
7. Desconectar el equipo.

### **Tras cada servicio**

1. Enjuagar el equipo.
2. Vaciar el recipiente de agua sucia limpiarlo con agua corriente.
3. Vaciar el depósito de agua fresca.
4. Limpiar el exterior del equipo con un paño húmedo.
5. Para evitar olores desagradables, eliminar toda el agua del equipo antes de largos períodos de inactividad.
6. Dejar que el equipo se seque completamente: Retirar la tapa o moverla hacia un lado.

### **Almacenaje del equipo**

1. Enrolle el cable de red alrededor de la tapa y del asa de transporte del equipo.

#### **Figura C**

2. Coloque el equipo en un espacio seco y protéjalo contra cualquier uso no autorizado.

### **Métodos de limpieza**

#### **Suciedad normal**

1. Rociar y aspira la solución de limpieza en un solo paso.

## **Nota**

La aspiración repetida sin pulverización acorta el tiempo de secado.

## Suciedad o manchas intensas

1. Aplicar la solución de limpieza con la turbina de aspiración apagada y dejarla funcionar de 10 a 15 minutos.
2. Limpiar el área como con suciedad normal.

## Limpeza para tapizados

1. Usar menos detergente para sustancias sensibles y rociar la superficie a una distancia de aproximadamente 7,9 in (200 mm). A continuación, aspirar.

## Consejos de limpieza

- Rociar previamente las áreas muy sucias y dejar que la solución de limpieza actúe de 5 a 10 minutos.
- Trabajar siempre de la luz a la sombra (de la ventana a la puerta).
- Trabajar siempre desde el área limpia hasta el área sucia.
- Cuanto más sensible es el recubrimiento (alfombras orientales, bereber, tapicería), menor es la concentración de detergente.
- Las alfombras con reverso de yute pueden encogerse y haber un corrimiento de color si se trabajan demasiado húmedas.
- Cepillar las alfombras mojadas en la orientación de fibras después de limpiarlas cuando estén mojadas (por ejemplo, con un cepillo de felpa o un frotador).
- La impregnación tras la limpieza en húmedo evita la rápida acumulación de nueva suciedad en revestimientos textiles.
- Para evitar huellas de presión o puntos de corrosión, inspeccionar la superficie limpiada u ordenar con los muebles únicamente cuando esté seca.

- Para mejorar el resultado de limpieza, enjuagar el objeto con agua limpia después de usar detergentes.

## Detergente

Denominación	Nombre	Dosificación	Referencia de pedido
Limpiador CarpetPro (1,8 lbs/0,8 kg)	RM 760 polvo	1 %	6.295-849.0
Limpiador CarpetPro, iCapsol (16 unidades)	RM 760 pastillas	2 pastillas por 2,1 gal (8 litros)	6.295-850.0
Limpiador CarpetPro, secado rápido (2,6 gal/10 litros)	RM 767 líquido	1,2 %	6.295-198.0
Limpiador CarpetPro (2,6 gal/10 litros)	RM 764 líquido	1 %	6.295-854.0
Impregnación CarpetPro (1,3 gal/5 litros)	RM 762 líquido	20 %	6.295-852.0
Agente anti-espumante (0,7 gal/2,5 litros)	RM 761 líquido	0,5 %	6.291-389.0

Para obtener más información, solicitar la hoja de información del producto y la hoja de datos de seguridad de la UE para el detergente correspondiente.

## Transporte

### PRECAUCIÓN

#### Inobservancia del peso

Peligro de lesiones y daños

Tenga en cuenta el peso del equipo durante el transporte.

1. Enrollar el cable de red alrededor de la tapa y del asa de transporte del equipo. Enganchar la manguera de pulverización/aspiración en el gancho. Insertar la boquilla para acolchado en el soporte para accesorios.

#### Figura D

2. Al transportar el equipo en vehículos, asegurarlo para evitar que resbale y vuelque conforme a las directivas vigentes.

## Almacenamiento

### PRECAUCIÓN

#### Peligro de daños y lesiones

El equipo puede volcar en superficies inclinadas.

Tenga en cuenta el peso del equipo para su almacenamiento.

El equipo solo se puede almacenar en interiores.

## Conservación y mantenimiento

### PELIGRO

#### Peligro de choques eléctricos

Lesiones al tocar piezas que conducen corriente

Desconecte el equipo.

Desconecte el conector de red.

#### Limpieza del filtro de pelusas

1. Retirar la tapa.
2. Sacar el recipiente de agua sucia del equipo.
3. Retirar el filtro de pelusas.

4. Limpiar el filtro de pelusas con agua corriente. Si el bastidor está muy sucio, abrirlo y reemplazar el fieltro.

#### Limpieza del filtro de agua fresca

1. Desenroscar el filtro de agua fresca.
2. Limpiar el filtro de agua fresca con agua corriente.

#### Limpiar la tobera

1. Desenrosque la tuerca racor.
2. Limpiar la boquilla de la boquilla.

## Ayuda en caso de fallos

### PELIGRO

#### Peligro de choques eléctricos

Lesiones al tocar piezas que conducen corriente

Desconecte el equipo.

Desconecte el conector de red.

#### El equipo no funciona

1. Compruebe el enchufe y el fusible de la alimentación de corriente.
2. Comprobar el cable de red y el conector de red del equipo.
3. Conecte el equipo.

#### No sale agua de la boquilla

1. Llenar el depósito de agua fresca.
2. Verificar que los acoplamientos en la manguera de pulverización estén correctamente colocados.
3. Limpiar o cambiar la boquilla de la boquilla.
4. Limpiar el filtro de agua fresca.
5. Bomba de pulverización defectuosa, ponerse en contacto con el servicio de postventa.

#### Chorro de pulverización en un lado

1. Limpiar la boquilla de la boquilla.

### **Potencia de aspiración insuficiente**

1. Comprobar la colocación correcta de la tapa.
2. Limpiar el sellado de la tapa y la superficie de apoyo del equipo.
3. Limpiar el filtro de pelusas.
4. Comprobar si la manguera de aspiración está atascada; si es necesario, limpiarla.

### **Bomba de pulverización ruidosa**

1. Rellenar el depósito de agua fresca.

### **Mucha espuma en el recipiente de agua sucia**

1. Poner el agente antiespumante (accesorio especial) en el recipiente de agua sucia.

## **Servicio de postventa**

Si no se puede solventar el fallo, el Servicio de postventa debe comprobar el equipo.

## **Garantía**

En cada país se aplican las condiciones de garantía indicadas por nuestra compañía distribuidora autorizada.

Subsanamos cualquier fallo en su equipo de forma gratuita dentro del plazo de garantía siempre que la causa se deba a un fallo de fabricación o material. En caso de garantía, póngase en contacto con su distribuidor o con el servicio de postventa autorizado más próximo presentando la factura de compra.

(Dirección en el reverso)

## **Accesorios y recambios**

Utilice únicamente accesorios y recambios originales, estos garantizan un servicio seguro y fiable del equipo. Encontrará información sobre los accesorios y recambios en [www.kaercher.com](http://www.kaercher.com).


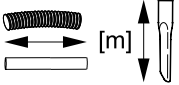
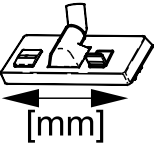
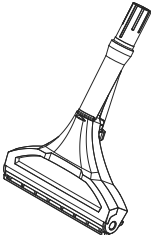
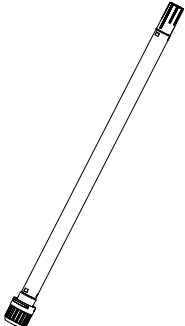

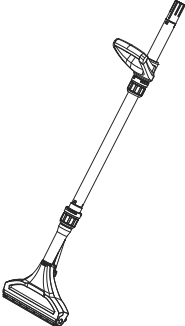



## Datos técnicos

<b>Puzzi 8/1</b>		
<b>Conexión eléctrica</b>		
Tensión de red	V	120
Fase	~	1
Frecuencia de red	Hz	60
Tipo de protección		IPX4
Clase de protección		II
Corriente nominal	A	9
Potencia bomba de pulverización	W	40
<b>Datos de potencia del equipo</b>		
Volumen de llenado agua fresca	gal (l)	2.1 (8)
Volumen de llenado agua sucia	gal (l)	1.8 (7)
Volumen de aire (máx.)	CFM (l/s)	150 (71)
Baja presión (máx.)	mm (kPa)	2590 (25.4)
Presión de pulverización	psi (MPa)	14.5 (0.1)
Presión de pulverización (máx.)	psi (MPa)	43.5 (0.3)
Volumen pulverizado	gal/min (l/min)	0.26 (1)
Temperatura de la solución de limpieza (máx.)	°F (°C)	122 (+50)
<b>Peso y dimensiones</b>		
Peso de servicio típico	lbs (kg)	19.0 (8.6)
Longitud x anchura x altura	in (mm)	20.5 x 13.0 x 16.5 (525 x 335 x 425)
<b>Condiciones ambientales</b>		
Temperatura ambiente (máx.)	°F (°C)	104 (+40)
<b>Valores calculados conforme a EN 60335-2-68</b>		
Nivel de presión acústica $L_{pA}$	dB(A)	72
Inseguridad $K_{pA}$	dB(A)	1
Nivel de vibraciones mano-brazo	$m/s^2$	<2.5
Inseguridad K	$m/s^2$	0.2
<b>Cable de red</b>		
N.º del cable de red		SJTW 2/16 AWG
Referencia (CUL)		6.648-222.0
Longitud del cable	ft (m)	33 (10)


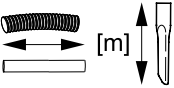
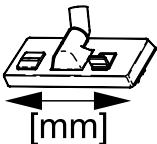
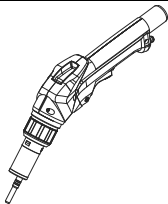
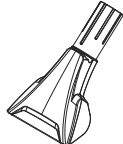
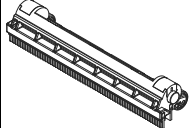
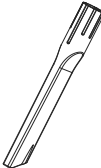

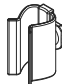


Reservado el derecho de realizar modificaciones técnicas.

## Zubehör / Accessories / Accessoires

		$\emptyset$ [mm]		
	4.130-008.0	DN 32		240
	4.025-004.0	DN 32		
	4.321-001.0	DN 32		
	4.130-007.0	DN 32		240
	4.130-063.0	DN 32		109

DN = Konus-Verbindung, cone connection, connexion de cône

## Zubehör / Accessories / Accessoires

		$\emptyset$ [mm]		
	4.130-000.0	DN 32		
	4.130-001.0	DN 32		110
	4.762-014.0 Hartflächenad- apter, hard sur- face adapter, adaptateur pour surface rigide			240
	4.130-010.0	DN 32	0,25	
	5.070-010.0 Behälter für Reinigungsmit- tel, container for detergent, réservoir pour détergent			
	6.980-078.0	DN 20-26		
	6.980-077.0			
	6.980-080.0			

DN = Konus-Verbindung, cone connection, connexion de cône



**THANK YOU!**  
**MERCI! DANKE! ¡GRACIAS!**



Registrieren Sie Ihr Produkt und profitieren Sie von vielen Vorteilen.

Register your product and benefit from many advantages.

Enregistrez votre produit et bénéficiez de nombreux avantages.

Registre su producto y aproveche de muchas ventajas.

**[www.kaercher.com/welcome](http://www.kaercher.com/welcome)**



Bewerten Sie Ihr Produkt und sagen Sie uns Ihre Meinung.

Rate your product and tell us your opinion.

Évaluer votre produit et dites-nous votre opinion.

Reseñe su producto y díganos su opinión.



**[www.kaercher.com/dealersearch](http://www.kaercher.com/dealersearch)**

**Alfred Kärcher SE & Co. KG**  
Alfred-Kärcher-Str. 28-40  
71364 Winnenden (Germany)  
Tel.: +49 7195 14-0  
Fax: +49 7195 14-2212

