

# Sensor 2 (120V)

# KÄRCHER

makes a difference

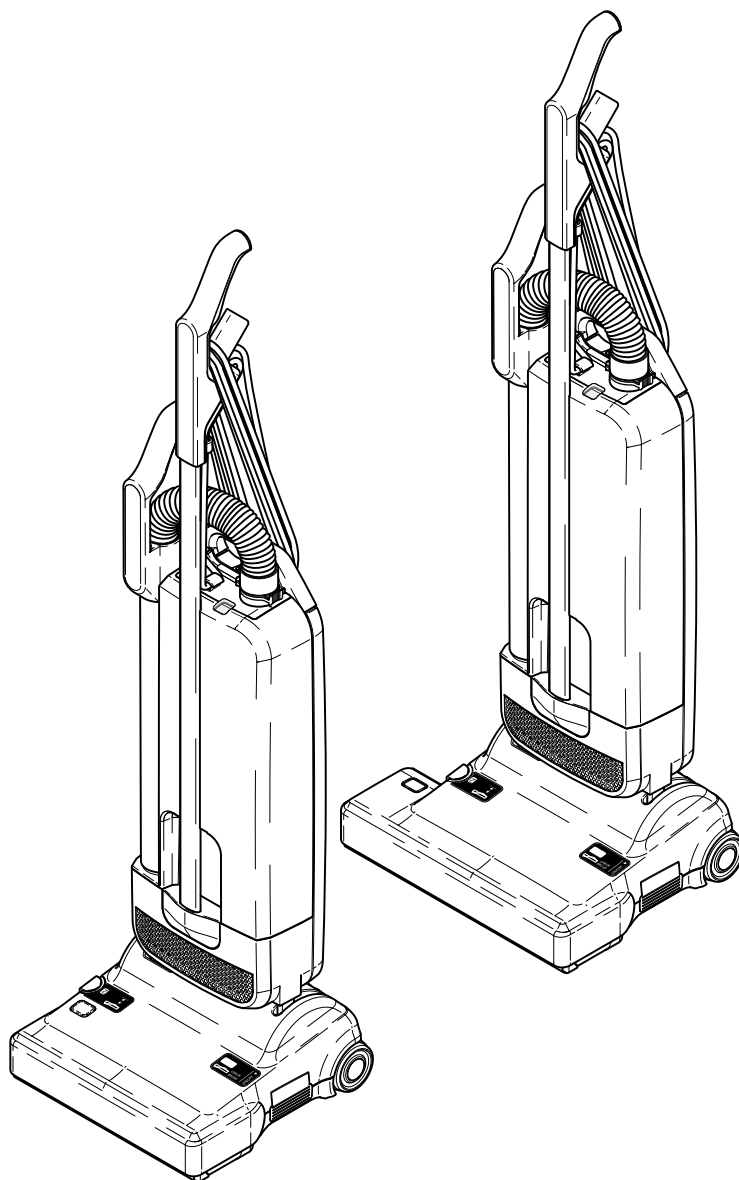
## Description

Operating instructions (ENG)

### MODELS:

1.012-070.0  
12" Sensor 2

1.012-071.0  
14" Sensor 2



86400000-G 12/10/21

## Machine Data Label

---

Model: \_\_\_\_\_

Date of Purchase: \_\_\_\_\_

Serial Number: \_\_\_\_\_

Dealer: \_\_\_\_\_

Address: \_\_\_\_\_

Phone Number: \_\_\_\_\_

Sales Representative: \_\_\_\_\_

### Warranty Registration

Thank you for purchasing a Kärcher North America product. Warranty registration is quick and easy. Your registration will allow us to serve you better over the lifetime of the product.

To register your product go to :  
<http://warranty.karcherna.com>

For customer assistance:  
1-800-444-7654

**KÄRCHER**

**Machine Data Label** ..... 2  
**Table of Contents** ..... 3  
**How To Use This Manual** ..... 4

**Parts**

Upper Housing ..... 22  
12" Power Head ..... 26  
14" Power Head ..... 26  
Wiring Diagram ..... 28

**Safety**

IMPORTANT SAFETY INSTRUCTIONS ..... 5  
HAZARD INTENSITY LEVEL ..... 6  
GROUNDING INSTRUCTIONS ..... 7  
Caution ..... 8

**Operations**

Technical Specifications ..... 10  
Assembling the Vacuum Cleaner ..... 12  
Operating Instructions ..... 14

**Maintenance**

Bag Full Indicator ..... 16  
Changing The Paper Filter Bag ..... 16  
Changing the Filters ..... 16  
Changing the Brush Strip ..... 17  
Clearing Blockages ..... 18

## How To Use This Manual

This manual contains the following sections:

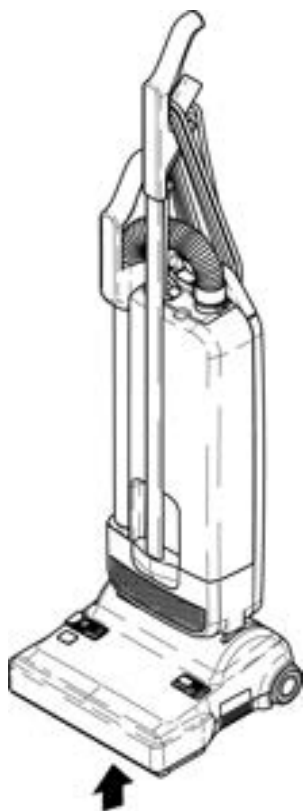
- How to Use This Manual
- Safety
- Operations
- Maintenance
- Parts List

The HOW TO USE THIS MANUAL section will tell you how to find important information for ordering correct repair parts.

Parts may be ordered from authorized dealers. When placing an order for parts, the machine model and machine serial number are important. Refer to the MACHINE DATA box which is filled out during the installation of your machine. The MACHINE DATA box is located on the inside of the front cover of this manual.

Model: \_\_\_\_\_  
Date of Purchase: \_\_\_\_\_  
Serial Number: \_\_\_\_\_  
Dealer: \_\_\_\_\_  
Address: \_\_\_\_\_  
Phone Number: \_\_\_\_\_  
Sales Representative: \_\_\_\_\_

The model and serial number of your machine is located on the bottom of the machine.



The SAFETY section contains important information regarding hazardous or unsafe practices of the machine. Levels of hazards are identified that could result in product damage, personal injury, or severe injury resulting in death.

The OPERATIONS section is to familiarize the operator with the operation and function of the machine.

The MAINTENANCE section contains preventive maintenance to keep the machine and its components in good working condition. They are listed in this general order:

- Bag Indicator
- Changing the Bag
- Changing the Filter
- Changing the Brush Strip
- Clearing Blockages

The PARTS LIST section contains assembled parts illustrations and corresponding parts list. The parts lists include a number of columns of information:

- **REF** – column refers to the reference number on the parts illustration.
- **PART NO.** – column lists the part number for the part.
- **PRV NO.** – reference number.
- **QTY** – column lists the quantity of the part used in that area of the machine.
- **DESCRIPTION** – column is a brief description of the part.
- **NOTES** – column for information not noted by the other columns.

*NOTE: If a service or option kit is installed on your machine, be sure to keep the KIT INSTRUCTIONS which came with the kit. It contains replacement parts numbers needed for ordering future parts.*

*NOTE: The manual part number is located on the lower right corner of the front cover.*

# IMPORTANT SAFETY INSTRUCTIONS

**When using this machine, basic precaution must always be followed, including the following:  
READ ALL INSTRUCTIONS BEFORE USING THIS MACHINE.**

**⚠ WARNING:** To reduce the risk of fire, electric shock, or injury:

1. Do not leave appliance when plugged in. Unplug from outlet when not in use and before servicing.
2. Do not use outdoors or on wet surfaces.
3. Do not use near small children. Do not allow to be used as a toy. Close attention is necessary when used by or near children.
4. Use only as described in this manual. Use only manufacturer's recommended attachments.
5. Do not use with damaged cord or plug. If appliance is not working as it should, has been dropped, damaged, left outdoors, or dropped into water, return it to a service center.
6. Do not pull or carry by the cord, use cord as a handle, close a door on cord, or pull cord around sharp edges or corners. Do not run appliance over cord. Keep cord away from heated surfaces. Do not wind cord tighter than necessary to keep it on the cord hooks.
7. Do not unplug by pulling on cord. To unplug, grasp the plug, not the cord.
8. Do not handle plug or appliance with wet hands.
9. Do not put any object into openings. Do not use with any opening blocked; keep free of dust, lint, hair, and anything that may reduce air flow.
10. Keep hair, loose clothing, fingers and all parts of body away from openings and moving parts. Do not place fingers or other body parts under vacuum unless unplugged.
11. Do not pick up anything that is burning or smoking, such as cigarettes, matches, or hot ashes.
12. Do not use without dust bag and/or filters in place. Do not wash filters.
13. Turn off all controls before unplugging.
14. Use extra care when cleaning on stairs. Do not use to pick up flammable or combustible liquids such as gasoline or use in areas where they may have been present.
15. Do not operate this machine near flammable fluids, dust or vapors.
16. Maintenance and repairs must be done by qualified personnel.
17. Connect to a properly grounded outlet only. See Grounding Instructions.
18. Do not use machine as a step.
19. If used on plush carpet or carpet with thick padding, do not leave machine in one place with machine turned on.
20. Use of extension cord or light socket with inadequate current-carrying capacity could result in electric shock or fire hazard.

**READ AND SAVE THESE INSTRUCTIONS**

## Safety

---

The following symbols are used throughout this guide as indicated in their descriptions:

### HAZARD INTENSITY LEVEL

There are three levels of hazard intensity identified by signal words **-WARNING** and **CAUTION** and **FOR SAFETY**. The level of hazard intensity is determined by the following definitions:



**WARNING** - Hazards or unsafe practices which COULD result in severe personal injury or death.



**CAUTION** - Hazards or unsafe practices which could result in minor personal injury or product or property damage.

#### ***FOR SAFETY: To Identify actions which must be followed for safe operation of equipment.***

Report machine damage or faulty operation immediately. Do not use the machine if it is not in proper operating condition. Following is information that signals some potentially dangerous conditions to the operator or the equipment. Read this information carefully. Know when these conditions can exist. Locate all safety devices on the machine. Please take the necessary steps to train the machine operating personnel.

#### ***FOR SAFETY:***

**DO NOT OPERATE MACHINE:**

Unless Trained and Authorized.

Unless Operation Guide is Read and understood.

In Flammable or Explosive areas.

In areas with possible falling objects

#### ***WHEN SERVICING MACHINE:***

Avoid moving parts. Do not wear loose clothing; jackets, shirts, or sleeves when working on the machine. Use manufacturer approved replacement parts.

## GROUNDING INSTRUCTIONS

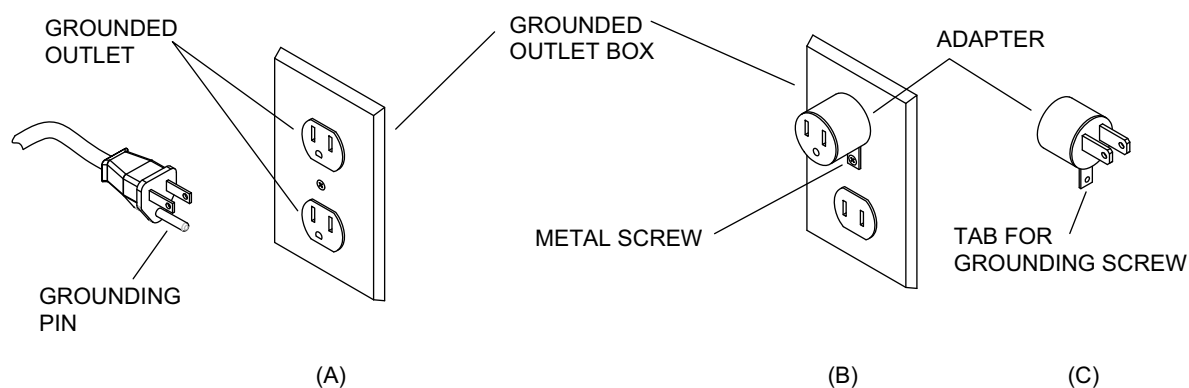
This appliance must be grounded. If it should malfunction or breakdown, grounding provides a path of least resistance for electric current to reduce the risk of electric shock. This appliance is equipped with a cord having an equipment-grounding conductor and grounding plug. The plug must be inserted into an appropriate outlet that is properly installed and grounded in accordance with all local codes and ordinances.

### **⚠ WARNING:**

**Improper connection of the equipment-grounding conductor can result in a risk of electric shock. Check with a qualified electrician or service person if you are in doubt as to whether the outlet is properly grounded. Do not modify the plug provided with the appliance - if it will not fit the outlet, have a proper outlet installed by a qualified electrician.**

This appliance is for use on a nominal 120-volt circuit, and has a grounded plug that looks like the plug illustrated in sketch A. A temporary adapter looks like adapter illustrated in sketches B and C, may be used to connect this plug to a 2-pole receptacle as shown in sketch B if a properly grounded outlet is not available. The temporary adapter should be used only until a properly grounded outlet (sketch A) can be installed by a qualified electrician. The green colored rigid ear, lug or the like extending from the adapter must be connected to a permanent ground such as a properly grounded outlet box cover. Whenever the adapter is used, it must be held in place by a metal screw.

*NOTE: In Canada, the use of a temporary adapter is not permitted by the Canadian Electrical Code.*



## **Safety**

---

Please save these instructions. If you pass the machine to a third party, please pass these on as well. The use of the machine is at your own risk. The manufacturer / supplier is not liable for any injury or damage caused by incorrect usage of the machine. This appliance is suitable for commercial use, e.g. in hotels, schools, hospitals, factories, shops, offices, and rental companies. This appliance can be used by children aged from 8 years and above and persons with reduced physical, sensory or mental capabilities or lack of experience and knowledge if they are given supervision or instruction concerning use of the appliance in a safe way and understand the hazards involved. Children should not play with the appliance. Cleaning and user maintenance should not be done by children without strict supervision.



### **Caution**

Before using the vacuum cleaner, always check for any signs of damage, especially to the mains cable and hose. If a component is damaged, it must be replaced with a authorized manufacturer part. For safety reasons internal components must be fitted by a Manufacturer Service Representative or an Authorized Service Technician. The use of non-genuine parts will waive the warranty for this product and could pose a serious safety risk. All repairs within the guarantee period should be performed by an authorized Service Representative. Electrical appliance, do not expose to liquid, moisture or heat.

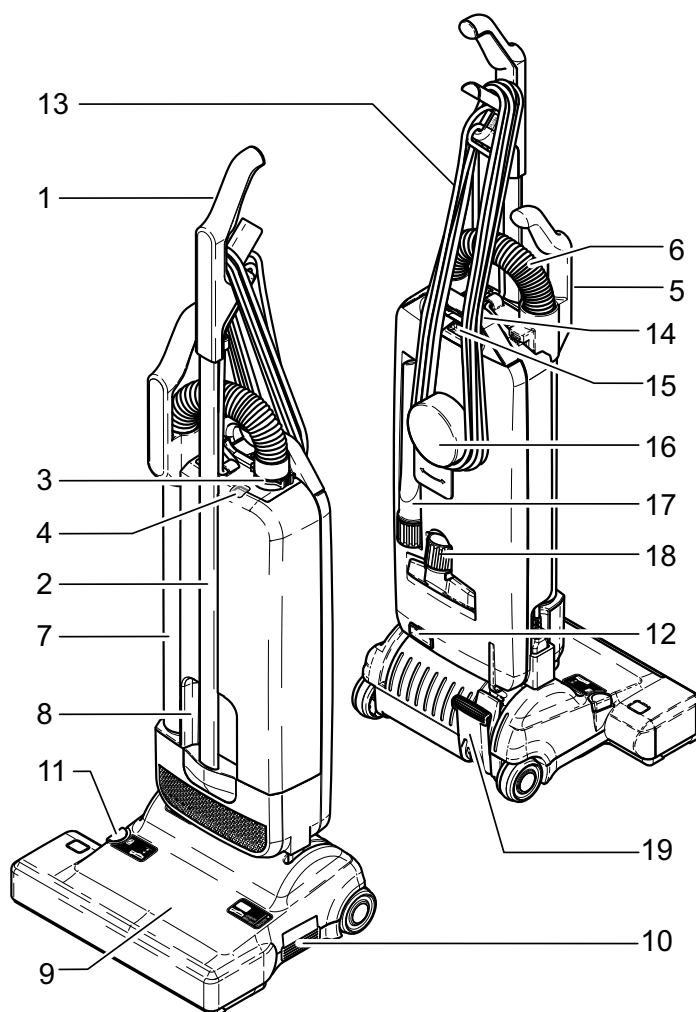




## Operations

### Technical Specifications

Item	Description
Vacuum Motor	1000 Watt
Suction	225 mbar [2300mm WS]
Air Flow	106 cfm/50 l/s
Filter Bag	1.4 gallon/5.3 liter, 3 layer
Working Width:	
12" Sensor2	11.8 inches/300mm
14" Sensor2	14.2 inches/360mm
Brush Strip	Replaceable
Brush Drive	Non-slip drive belt
Cable	
12" Sensor2	25ft/7.6m
14" Sensor2	39 feet/12m
Weight:	
12" Sensor2	20.4 pounds/9.3kg
14" Sensor2	20.7 pounds/9.4kg
Protection	Grounded
Sound Pressure Level $L_{pA}$	76 dB[A]
Uncertainty $K_{pA}$	2 dB[A]
Hand-arm Vibration Value	$< 2.5 \text{ m/s}^2$
Uncertainty K	$0.2 \text{ m/s}^2$

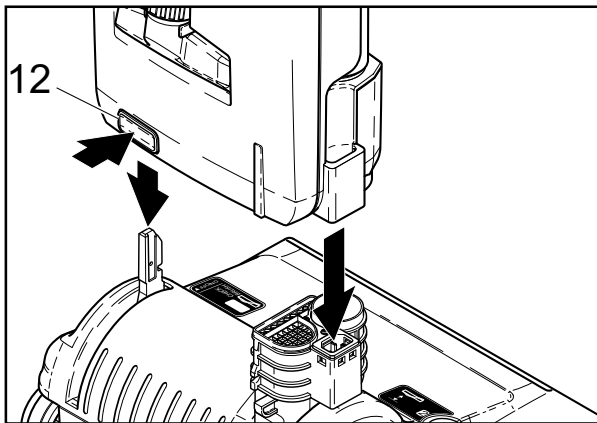
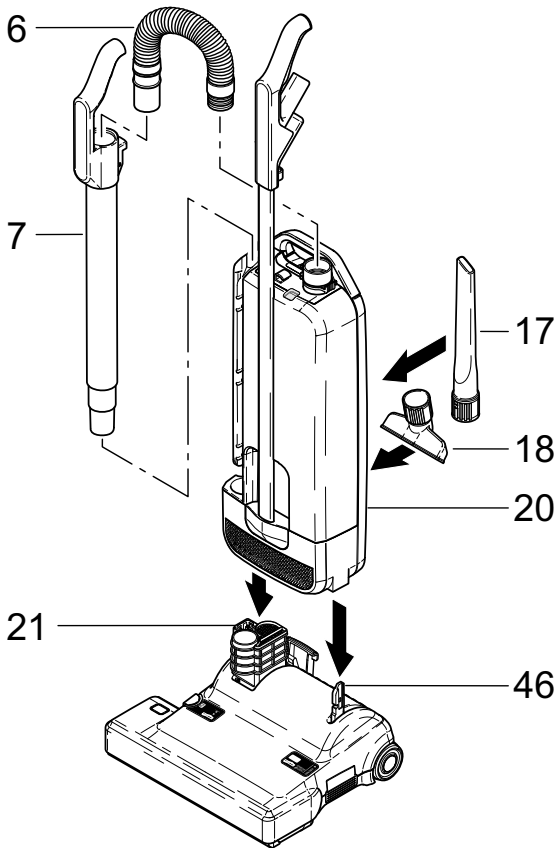


### Control/Components

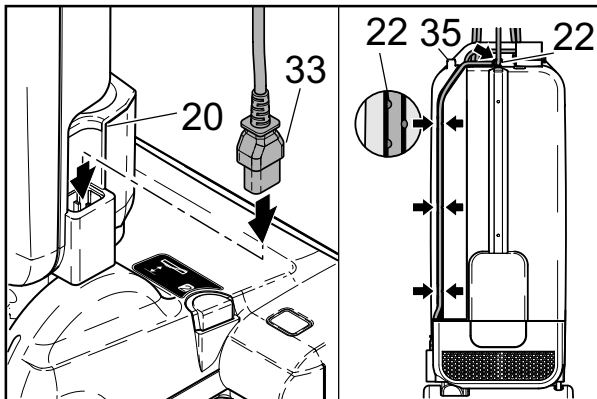
- |                           |                          |
|---------------------------|--------------------------|
| 1. Handle grip            | 11. Pile adjustment knob |
| 2. Handle tube            | 12. Release button       |
| 3. Retaining ring         | 13. Mains cable          |
| 4. Bag full indicator     | 14. Rear carrying handle |
| 5. Attachment tube handle | 15. Cover release latch  |
| 6. Hose                   | 16. Cable hook           |
| 7. Attachment tube        | 17. Crevice nozzle       |
| 8. Recessed grip          | 18. Upholstery nozzle    |
| 9. Power head             | 19. Foot pedal           |
| 10. On/Off switch         |                          |

## Assembling the Vacuum Cleaner

Carefully place the dust bag housing (20) in the vertical position. Fit it over the swivel neck (21) and support lever (46) of the power head (9) until the release button (12) locks.



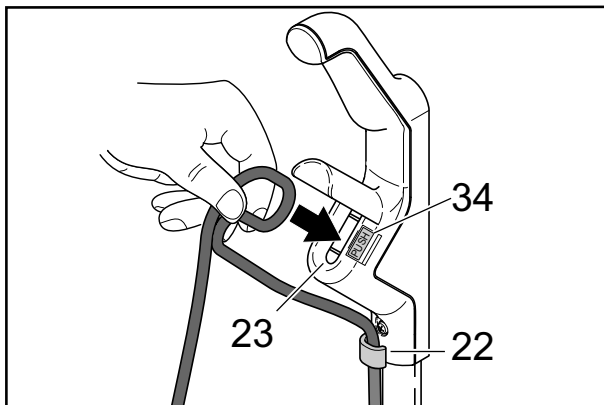
To dismantle, press the release button (12) and remove the dust bag housing (20) from the power head (9).



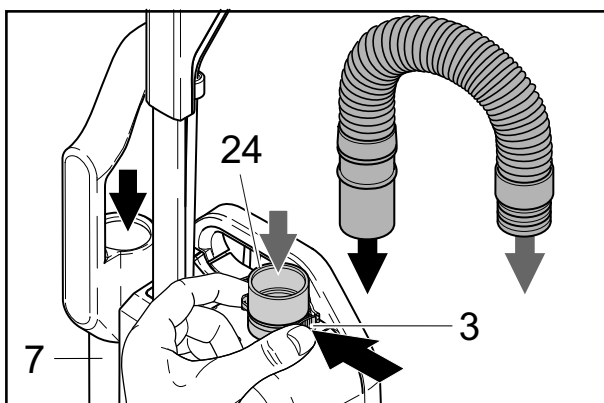
To fit the mains cable to the machine, push the rubber plug (33) of the cable into the socket on the swivel neck (21) when the vacuum cleaner is assembled.

Ensure the rubber plug is fully inserted into the socket.

Fit the mains cable into the groove (22) in the dust bag housing located in the attachment wand recess, then to the clamps on the top of the dust bag housing and on the rear of the handle.

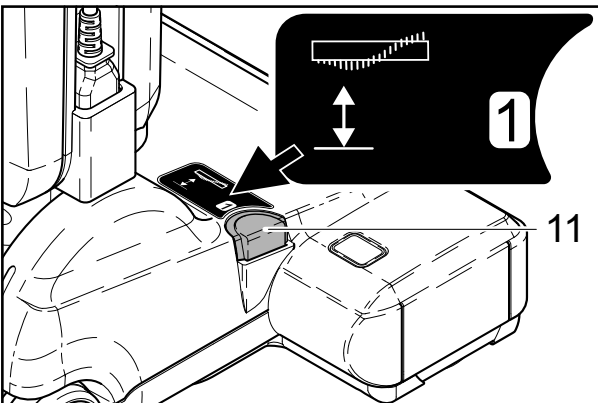
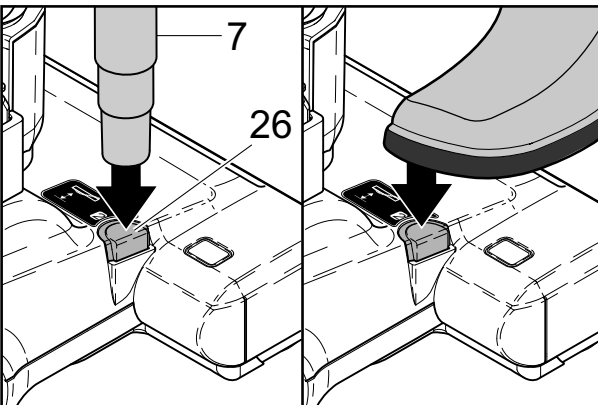
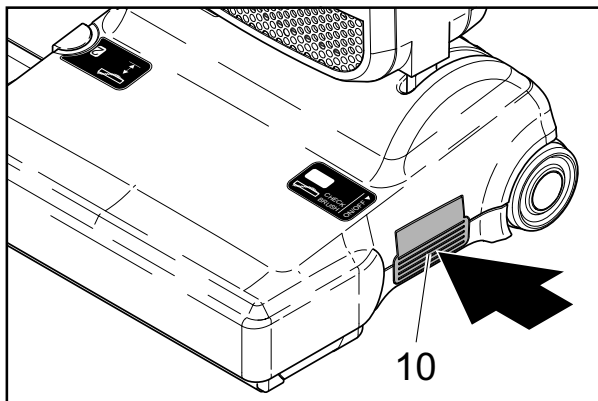
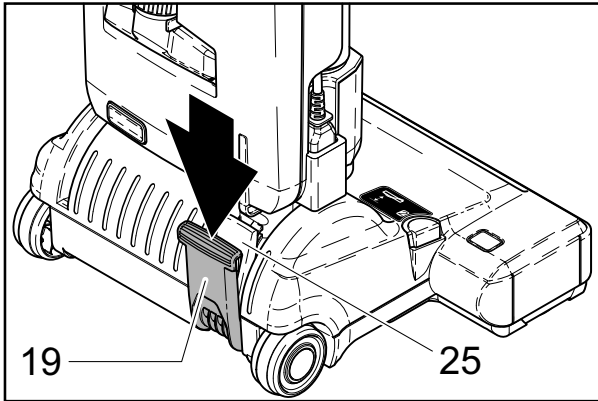


Finally insert the mains cable into the cable cleat (23). You can hear a “click” when the mains cable is fully inserted. To take off the mains cable push the button (34) next to the cable cleat (23) and remove the mains cable.



Fit the attachment tube (7) into the swivel neck (21) and then push the attachment tube handle (5) over the projection (35). Push the black end of the hose into the connecting tube (24) so that it clicks into place. The hose can be taken off by squeezing the retaining ring (3). The other end of the hose fits into the attachment tube (7) only one way.

*NOTE: If The Machine Does Not Work, Then The Steps Above Have Not Been Executed Correctly. Please Ensure The Parts Are Properly Pushed Together, Especially The Cable Plug And Swivel Neck.*



## Operating Instructions

The Sensor 2 vacuum cleaners are designed for high performance, usability and durability. The rotating brush with manual height adjustment cleans your carpets and other floors safely and thoroughly. The hose and attachment tube allow all around cleaning.

The machine features S-Class filter technology to meet modern hygiene requirements.

The foot pedal latch(25) locks the machine in the upright position. To release the machine from the upright position depress the foot pedal (19) and lower the dust bag housing.

### **CAUTION:**

**If used on plush carpet or carpet with thick padding, turn off unit when handle is in upright position.**

The On/Off switch (10) is ergonomically located on the side of the power head and can be operated with a tap of the foot.

Brush height adjustment can be changed by foot or with the attachment tube.

To do this, put the machine into the upright position, then lift the attachment tube from the machine.

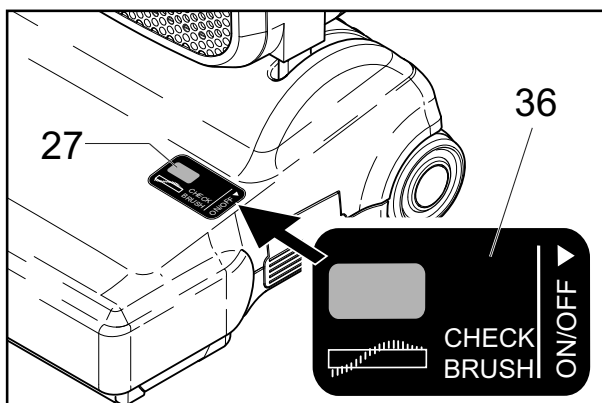
The end of the attachment tube (7) fits into the groove (26) of the height adjustment button (11).

By pressing the button (11), the brush can be adjusted from position 1 (lowest setting) to 4 (highest setting) and back.

When the brush is new, set it to position 2.

If it is hard to push, change to position 3 or 4.

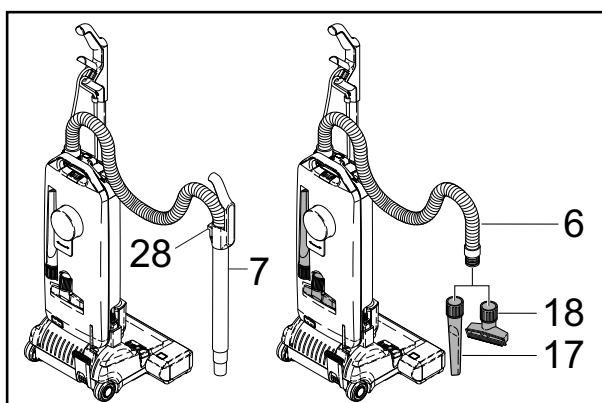
For a deep and intensive cleaning performance, setting 1 is recommended.



This vacuum cleaner has a brush jammed indicator (27). If the brush is jammed or overloaded the machine will automatically switch-off and the orange indicator shows in the display (36). If this occurs, unplug the machine and clear the obstruction.

### **⚠ WARNING:**

**ALWAYS unplug from the mains socket before dismantling any part of the machine.**

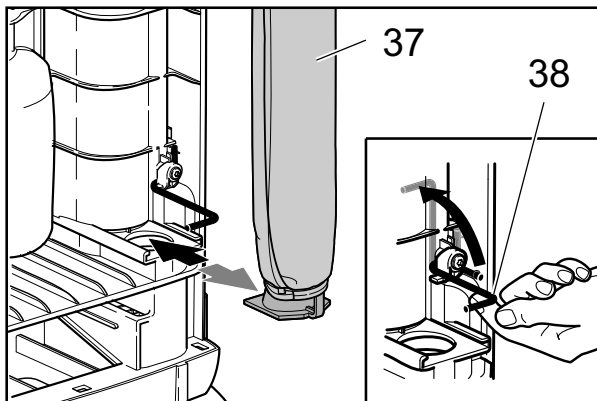
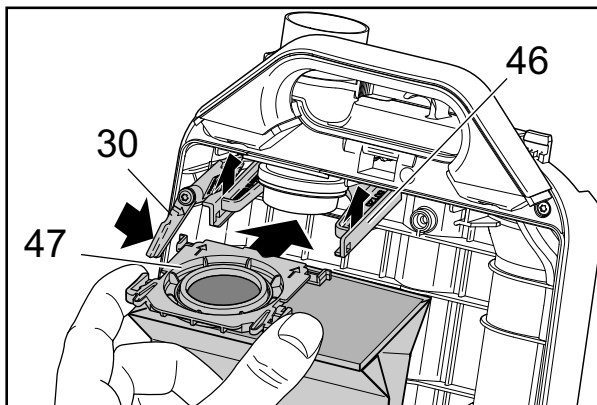
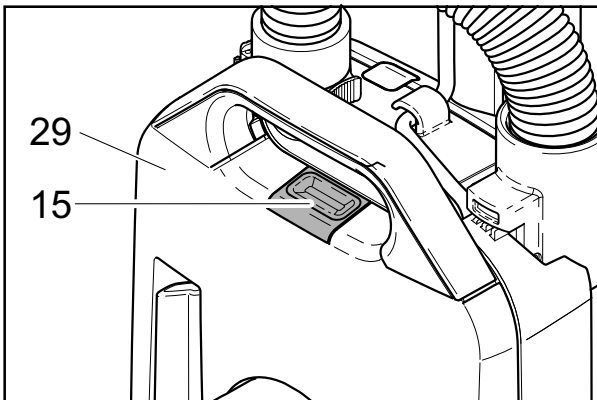
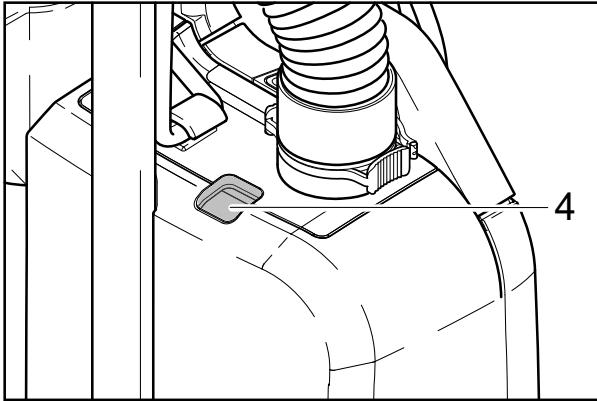


To use the attachment tube (7) or hose (6) put the machine in the upright position, then lift the tube from the machine and stretch out the hose until it locks. When the tube is returned to the machine, ensure it is pushed down over the projection (35) on the housing.

The hose (6) can be used on its own. Push the button (28) on the backside of the tube (7) and extracted the hose (6) out of the tube (7). After using put the hose back into the tube. The attachments (17,18) fit either to the end of the hose or the end of the tube.

### **⚠ CAUTION:**

**When using accessory tools, keep floor brush off carpet by keeping handle in locked position and lowering handle with one hand to raise brush off floor. Operate accessories with other hand.**



## Maintenance and Service

### **⚠ WARNING:**

**ALWAYS** unplug from the mains socket before dismantling any part of the machine.

### Bag Full Indicator

If the warning indicator (4) turns orange, it indicates that there is a reduced air flow. This is caused either by dirty filters, a blockage in the hose or base of the machine, or a full paper bag. When picking up fine dust, it may be necessary to change the dust bag before it is full. Fluff or hair lets air pass through easily, the bag may overflow before the full indicator comes on.

### Changing The Paper Filter Bag

**Please note:** There is a mechanism preventing locking of the cover prior to installing a dust bag. Front filter bag cover cannot be installed and locked completely without a filter bag mounted correctly.

To change the paper bag, press the catch (15) and remove the bag cover (29). Push the lever (30) over to the right. Then change the bag, as illustrated on front of bag. Ensure that the bag top (47) is located properly on both sides of the holder (46) and pushed until it locks. The used paper bag can be sealed with a cap.

*NOTE: Do not re-use paper bags.*

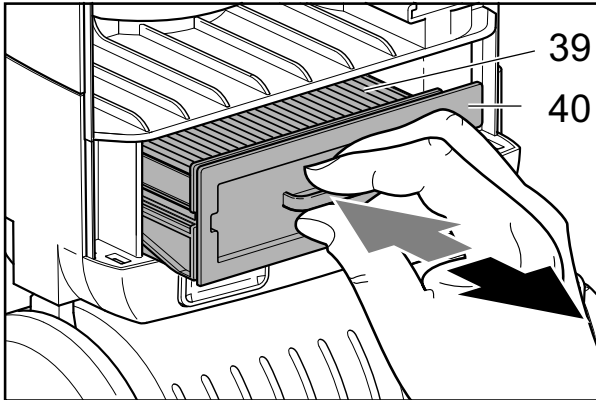
*NOTE: Use only manufacturer approved filters and bags*

To fit a new dust bag, Slide the right side of the bag top into the holder (46) and fit the dust inlet of the bag top (47) over connecting tube until the filter bag latches into the lever.

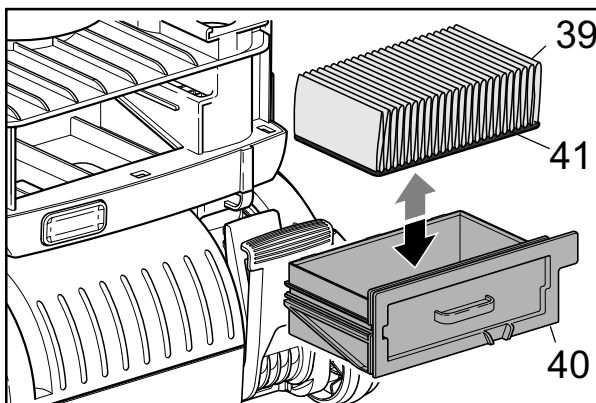
### Changing the Filters

The Microfilter (37) is located in the dust bag compartment. To change the Microfilter slide it out. Please ensure no particles fall down into the swivel neck. To insert a new Microfilter (37) lift the metal bar (38) to slide the filter in.





The Exhaust Filter (39) is located inside the separate Filter holder (40). To change the Exhaust Filter (39) pull out the Exhaust Filter holder (40). The internal filter can be easily taken out.



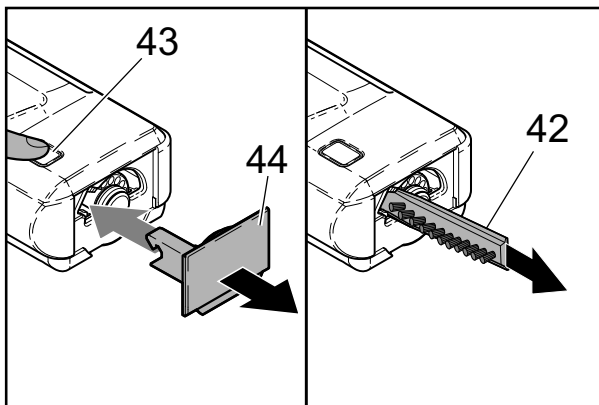
Replace the Exhaust Filter (39) with the sealing gasket (41) downwards and insert the filter holder back into the dust bag housing.

Replace the Microfilter and Exhaust Filter when it becomes dirty or after 20 paper bags have been used.

Do not wash filters.

Do not re-use bags.

The bag cover (29) can only be closed when the filters are fitted properly.



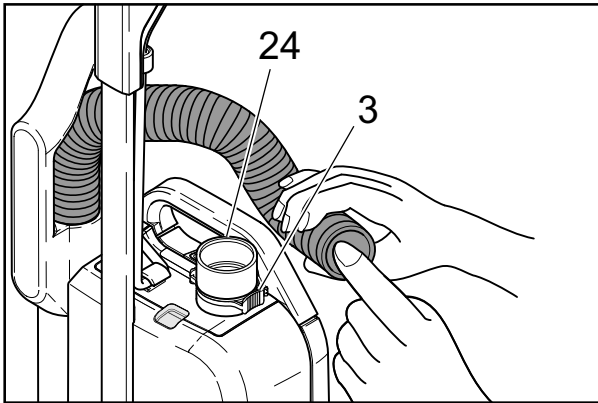
### Changing the Brush Strip

#### **⚠ WARNING:**

**ALWAYS unplug from the mains socket before dismantling any part of the machine.**

To replace the brush strip (42), push the button (43), remove the side plate (44) and turn the brush so that the brush strip (42) can be pulled out of the opening. Ensure that the new brush strip (42) is fully inserted and press the side plate (44) back into place.

*NOTE: Ensure that the side plate (44) is fully pushed home so that it locks in place.*



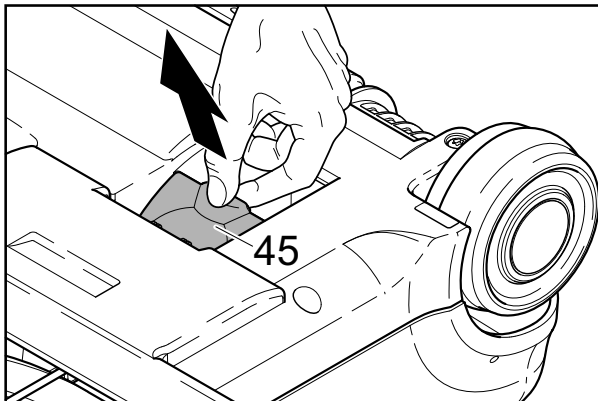
### Clearing Blockages

Blockages in the hose can be cleared by taking the hose off the machine. Squeeze the retaining ring (3) and remove hose.

If there is no visible blockage, place wrong end of hose in connecting tube (24), hold it upright with one hand, block the top with other hand and switch machine on. If necessary, rapidly lift your hand on and off the end of the hose.

### **⚠ CAUTION:**

**Never use anything sharp to clear the hose.**



Check for a blockage in the swivel neck of the power head and under the yellow trap-door (45) on the bottom of the power head. Ensure that the passage between these two openings in the power head is clear.

**Sensor 2 (120V)**

**KÄRCHER**

makes a difference

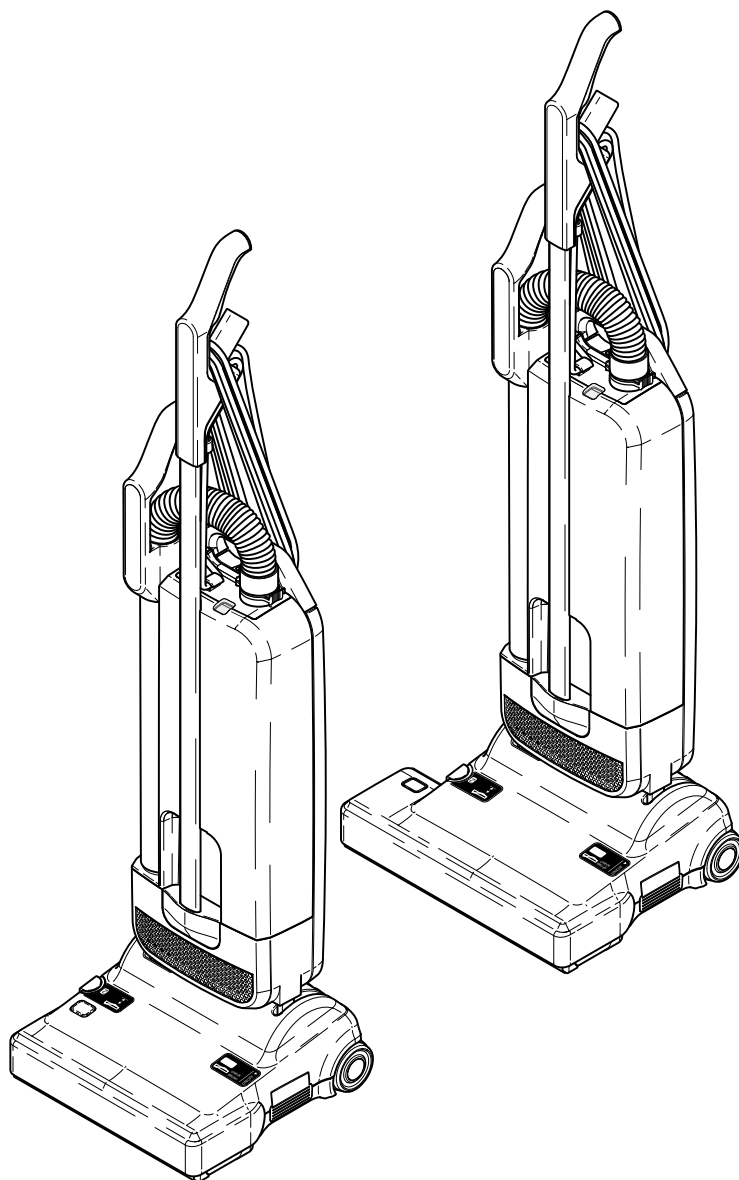
**Aspiradora**

**Instrucciones de funcionamiento (ESP)**

**MODELOS:**

1.012-070.0  
12" Sensor 2

1.012-071.0  
14" Sensor 2



86400000-G 12/10/21

## **Etiqueta de Datos de la Máquina**

---

Modelo: \_\_\_\_\_

Fecha de la compra: \_\_\_\_\_

Número de serie: \_\_\_\_\_

Distribuidor: \_\_\_\_\_

Dirección: \_\_\_\_\_

Nº de teléfono: \_\_\_\_\_

Representante de ventas: \_\_\_\_\_

### **Registro de Garantía**

Gracias por comprar un producto de Kärcher North America. El registro de la garantía es rápido y fácil. Su registro permitirá que le sirvamos mejor sobre el curso de la vida del producto. Para colocar su producto vaya:

<http://warranty.karcherna.com>

Para el servicio de atención al cliente llame al:

1-800-444-7654

**KÄRCHER**

Etiqueta de Datos de la Máquina .....	2
Índice .....	3
Cómo utilizar el manual.....	4

**Seguridad**

INSTRUCCIONES DE SEGURIDAD	
IMPORTANTES .....	5
NIVEL DE INTENSIDAD DE RIESGO .....	6
INSTRUCCIONES PARA CONECTAR EL EQUIPO	
A TIERRA .....	7
Precauciones .....	8

**Operaciones**

Especificaciones técnicas .....	10
Ensamblado de la aspiradora .....	12
Instrucciones de operación .....	14

**Mantenimiento**

Indicador de bolsa llena .....	16
Reemplazo de la bolsa de papel.....	16
Reemplazo de los filtros .....	16
Reemplazo de la banda de cepillo .....	17
Desobstrucciones .....	18
Warranty .....	20

**Parts**

Upper Housing .....	22
12" Power Head .....	24
14" Power Head .....	26
Wiring Diagram.....	28

## Cómo utilizar el manual.

El manual contiene las siguientes secciones:

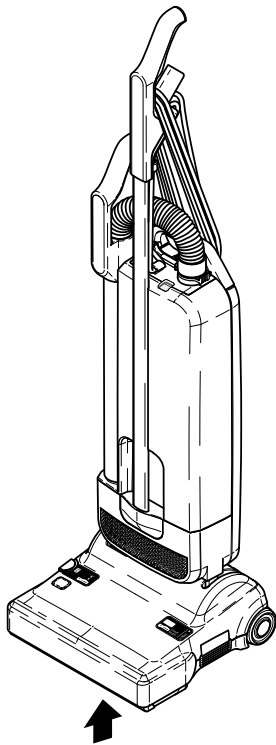
- Cómo utilizar el manual
- Seguridad
- Operaciones
- Mantenimiento
- Lista de piezas

La sección CÓMO UTILIZAR EL MANUAL le indica el modo de encontrar información importante para pedir las piezas de recambio correctas.

Las piezas deben solicitarse a distribuidores autorizados. Al realizar un pedido de piezas, es importante saber el modelo y el número de serie de la máquina. Consulte el cuadro DATOS DE LA MÁQUINA que se completa durante la instalación de la máquina. El cuadro DATOS DE LA MÁQUINA está situado en la parte interior de la cubierta frontal de este manual.

Modelo:	_____
Fecha de la compra:	_____
Número de serie:	_____
Distribuidor:	_____
Dirección:	_____
Nº de teléfono:	_____
Representante de ventas:	_____

El modelo y el número de serie de su máquina se encuentran en la parte inferior de la máquina.



La sección SEGURIDAD contiene información importante acerca de los usos de la máquina que pueden resultar peligrosos o poco seguros. Se identifican niveles de riesgos que pueden ocasionar lesiones personales o daños en el producto o lesiones graves que pueden provocar la muerte.

El objetivo de la sección FUNCIONAMIENTO es familiarizar al operario con el manejo y el funcionamiento de la máquina.

La sección MANTENIMIENTO incluye instrucciones sobre mantenimiento preventivo para mantener la máquina y sus componentes en buenas condiciones de funcionamiento. Están clasificadas en el siguiente orden general:

- Indicador de bolsa
- Reemplazo de la bolsa
- Reemplazo del filtro
- Reemplazo de la banda de cepillo
- Desbloques

La sección LISTA DE PIEZAS contiene ilustraciones de las piezas ensambladas y la correspondiente lista de piezas. Incluye además varias columnas con información:

- **REF.** – la columna indica el número de referencia en la ilustración de las piezas.
- **NRO. DE PIEZA** – la columna enumera el número de pieza.
- **NRO. PRV** – número de referencia.
- **CANT.** – la columna indica la cantidad de piezas de ese tipo usadas en esa parte de la máquina.
- **DESCRIPCIÓN** – la columna es una breve descripción de la pieza.
- **NOTAS** – la columna contiene la información no incluida en las otras columnas.

*NOTA: Si en la máquina se incluye un juego de servicio u opciones, asegúrese de conservar las INSTRUCCIONES DEL JUEGO que lo acompañan. Éste contiene los números de piezas de recambio necesarios para solicitar piezas en el futuro.*

*NOTA: El número de pieza correspondiente al manual está ubicado en la esquina inferior derecha de la tapa frontal.*

# INSTRUCCIONES DE SEGURIDAD IMPORTANTES

**Cuando se utilice la máquina, siempre se deben adoptar precauciones básicas, entre las que se incluye:**

**LEA TODAS LAS INSTRUCCIONES ANTES DE UTILIZAR LA MÁQUINA.**

**⚠ ADVERTENCIA:** Para reducir el riesgo de incendio, descargas eléctricas o lesiones:

1. No deje la máquina enchufada. Debe desenchufarla cuando no se encuentre en uso y antes de repararla.
2. No la utilice en el exterior o en superficies mojadas.
3. No la utilice cerca de niños pequeños. No permita que se la emplee como juguete. Preste mucha atención cuando sea utilizada por niños o cerca de ellos.
4. Utilícela sólo del modo que se describe en este manual. Utilice solamente los accesorios recomendados por el fabricante.
5. No la utilice si el cable o el enchufe están dañados. Si la máquina no funciona adecuadamente, se ha caído, ha sufrido daños, fue olvidada en el exterior, o se ha sumergido en agua, llévela a un servicio técnico.
6. No arrastre ni traslade la máquina usando el cable, no utilice el cable como manija, no enganche el cable con las puertas ni lo enrosque alrededor de bordes o ángulos filosos. No pase la máquina en funcionamiento sobre el cable. Mantenga el cable alejado de las superficies calientes. No enrosque el cable con más fuerza de lo necesario en los ganchos correspondientes.
7. No desenchufe la máquina tirando del cable. Para desenchufarla, tire del enchufe, no del cable.
8. No manipule el enchufe ni la máquina con las manos húmedas.
9. No coloque objetos en las aberturas. No utilice la máquina si alguna de las aberturas está bloqueada; manténgala libre de polvo, pelusas, cabellos y de todos los objetos que puedan reducir el caudal de aire.
10. Mantenga el cabello, la ropa holgada, los dedos y todas las partes del cuerpo alejadas de las aberturas y de las piezas móviles. No coloque los dedos ni otras partes del cuerpo debajo de la aspiradora a menos que se encuentre desenchufada.
11. No aspire objetos que estén ardiendo o humeando, como cigarrillos, cerillas o cenizas calientes.
12. No utilice la máquina si la bolsa o los filtros no están en su lugar. No lave los filtros.
13. Desconecte todos los controles antes de desenchufar la máquina.
14. Sea extremadamente precavido al limpiar escaleras. No utilice la máquina para aspirar líquidos inflamables o combustibles tales como gasolina ni la utilice en superficies en donde haya habido dichos líquidos.
15. No opere la máquina cerca de fluidos, polvo o vapores inflamables.
16. Personal debidamente capacitado debe realizar el mantenimiento y las reparaciones.
17. Enchufe la máquina únicamente a una toma conectada adecuadamente a tierra. Consulte las instrucciones de conexión a tierra.
18. No utilice la máquina como escalera.
19. Si se la utiliza sobre alfombras gruesas o acolchadas, no deje la máquina encendida en un solo lugar.
20. El uso de un cable de extensión o un tomacorriente con capacidad eléctrica insuficiente puede causar una descarga eléctrica o un incendio.

**LEA Y GUARDE ESTAS INSTRUCCIONES**

## **Seguridad**

---

Los símbolos siguientes se usan a lo largo de la guía, del modo indicado en sus descripciones:

### **NIVEL DE INTENSIDAD DE RIESGO**

Hay tres niveles de intensidad de riesgo, identificados por palabras claves: **ADVERTENCIA** y **PRECAUCIÓN** y **POR SEGURIDAD**. El nivel de intensidad de riesgo está determinado por las siguientes definiciones:

#### **⚠ ADVERTENCIA:**

**ADVERTENCIA** - Riesgos o prácticas poco seguras que PUEDEN provocar graves lesiones personales o la muerte.

#### **⚠ PRECAUCION:**

**PRECAUCIÓN** - Riesgos o prácticas poco seguras que pueden provocar lesiones menores a las personas o daños al producto o a las instalaciones.

#### ***POR SEGURIDAD: Para identificar las acciones que deben seguirse para un manejo seguro del equipo:***

Informe inmediatamente de cualquier daño o mal funcionamiento de la máquina. No utilice la máquina si no está en buenas condiciones de funcionamiento. A continuación, se presenta información que indica algunas condiciones potencialmente peligrosas para el operario o el equipo. Lea esta información con atención. Conozca cuándo pueden darse estas condiciones. Coloque todos los dispositivos de seguridad en la máquina. Por favor, siga los pasos necesarios para instruir a los operarios de la máquina.

#### ***POR SEGURIDAD:***

**NO UTILICE LA MÁQUINA:**

- Si no está instruido y autorizado para ello.
- Si no ha leído y entendido el manual de instrucciones.
- En áreas inflamables o explosivas.
- En áreas en las que puedan caer objetos.

#### ***MIENTRAS REPARA LA MÁQUINA:***

Evite el contacto con las piezas móviles. No lleve puesta ropa amplia (chaquetas, camisas, o mangas) cuando trabaje en la máquina. Use piezas de repuesto aprobadas por el fabricante.



## INSTRUCCIONES PARA CONECTAR EL EQUIPO A TIERRA

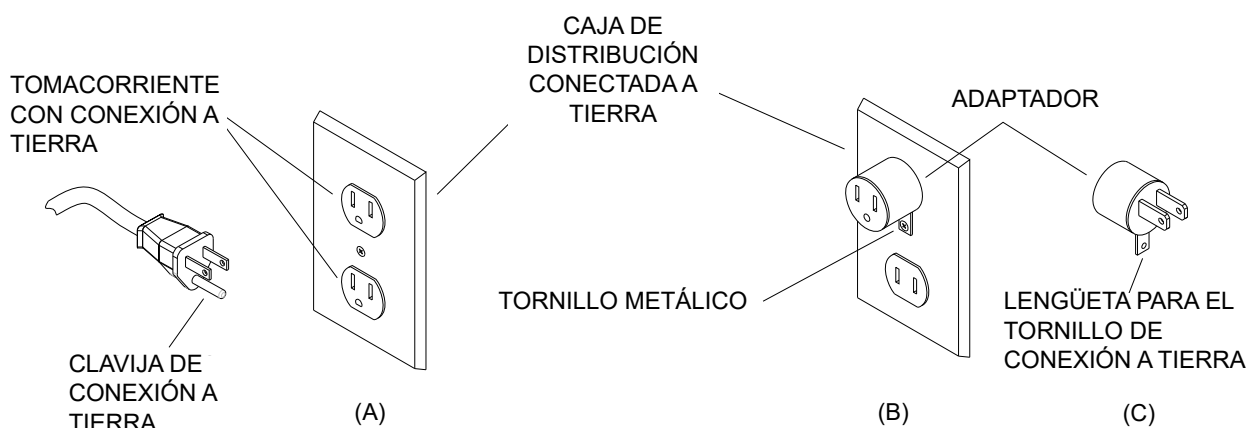
Este aparato debe estar conectado a tierra. En caso de un mal funcionamiento o una avería, la conexión a tierra brinda una ruta de menor resistencia para la corriente eléctrica, con el fin de reducir el riesgo de descarga eléctrica. Este aparato está equipado con un cable que tiene un conductor con conexión a tierra y un enchufe con conexión a tierra. El enchufe debe insertarse en un tomacorriente adecuado que esté debidamente instalado y conectado a tierra de acuerdo con todos los códigos y ordenanzas locales.

### **⚠ ADVERTENCIA:**

**La conexión inadecuada del conductor con conexión a tierra del equipo conlleva el riesgo de descarga eléctrica. Si tiene alguna duda acerca de la debida conexión a tierra del tomacorriente, consulte con un electricista o técnico calificado. No modifique el enchufe provisto con el aparato; si no cabe en el tomacorriente, solicite a un electricista calificado que le instale un tomacorriente adecuado.**

Este aparato se utiliza en un circuito de 120 voltios nominal y posee un enchufe con conexión a tierra similar al ilustrado en el boceto A. Se puede usar un adaptador provisorio similar al ilustrado en los bocetos B y C para conectar este enchufe a un receptáculo de 2 polos, como se muestra en el boceto B, en caso de que no haya disponible un enchufe con conexión a tierra. El adaptador provisorio sólo se debe usar hasta que un electricista calificado instale un tomacorriente con conexión a tierra (boceto A). La espiga rígida verde, argolla o pieza similar que se extiende desde el adaptador debe conectarse a una conexión a tierra permanente, como la tapa de la caja de distribución adecuadamente conectada a tierra. Cuando se usa el adaptador, se lo debe sujetar en su sitio mediante un tornillo metálico.

*NOTA: En Canadá, el Código Eléctrico Canadiense no permite el uso de un adaptador provisorio.*



## **Seguridad**

---

Guarde estas instrucciones. Si transfiere la máquina a un tercero, incluya estas instrucciones. Usted utiliza esta máquina a su propio riesgo. El fabricante/proveedor no se responsabiliza por ninguna lesión o daño causado por el uso incorrecto de la máquina. Este electrodoméstico es adecuado para uso comercial (por ejemplo, en hoteles, escuelas, hospitales, fábricas, tiendas, oficinas y empresas de alquiler). Este electrodoméstico puede ser utilizado por personas a partir de los ocho años de edad y por personas con capacidades físicas, sensoriales o mentales reducidas, o con falta de experiencia o conocimiento, siempre y cuando sean supervisados o instruidos con respecto a su uso seguro, y comprendan los riesgos que conlleva. Los niños no deben jugar con el electrodoméstico. La limpieza y el mantenimiento del aparato no deben ser realizados por niños, excepto bajo estricta supervisión.

### **Precauciones**

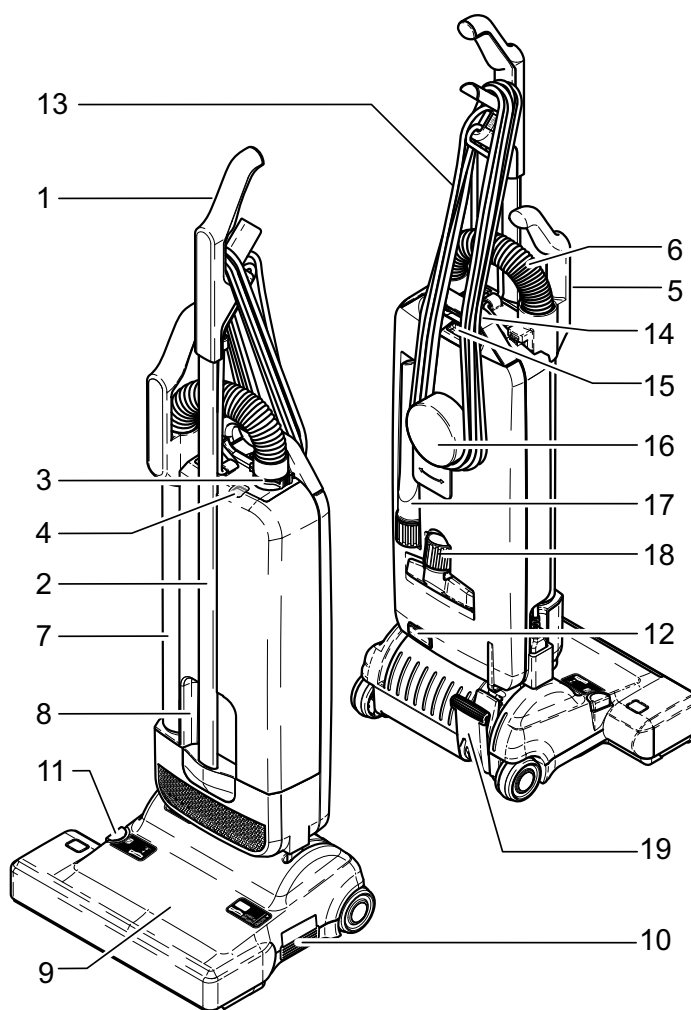
Antes de usar la aspiradora, revise siempre que no presente daños, especialmente en el cable eléctrico y en la manguera. Si algún componente está dañado, se debe reemplazar con una pieza autorizada por el fabricante. Por razones de seguridad, es obligatorio que los componentes internos sean reemplazados por un Representante de Servicio del fabricante o un Técnico de Reparación autorizado. El uso de piezas no originales invalida la garantía de este producto y puede crear graves riesgos de seguridad. Dentro del período de garantía, todas las reparaciones deberán ser realizadas por un Representante de Servicio autorizado. Dispositivo eléctrico: no exponer a líquidos, humedad o calor.



## Operaciones

### Especificaciones técnicas

Artículo	Descripción
Motor de aspiración	1000 Vatios
Succión	225 mbar [2300mm WS]
Caudal de aire	106 cfm/50 l/s
Bolsa del filtro	1,4 galones /5,3 litros, 3 capas
Anchura de trabajo:	11,8 pulgadas/300mm
Banda del cepillo	Reemplazable
Accionamiento del cepillo	Correa de transmisión antideslizante
Cable	
12" Sensor2	25 pies/7,62 m
14" Sensor2	39 pies/12 m
Peso:	
12" Sensor2	20,4 libras/9,3 kg
14" Sensor2	20,7 libras/9,4 kg
Protección	Conectado a Tierra
Nivel de presión acústica $L_{pA}$	76 dB[A]
Incertidumbre $K_{pA}$	2 dB[A]
Valor de vibraciones mano-brazo	$<2,5 \text{ m/s}^2$
Incertidumbre K	$0,2 \text{ m/s}^2$

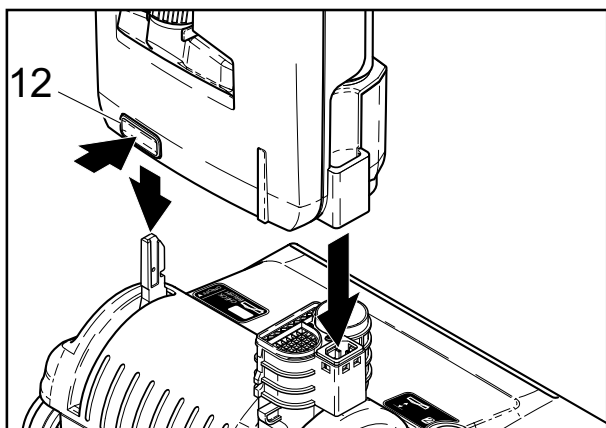
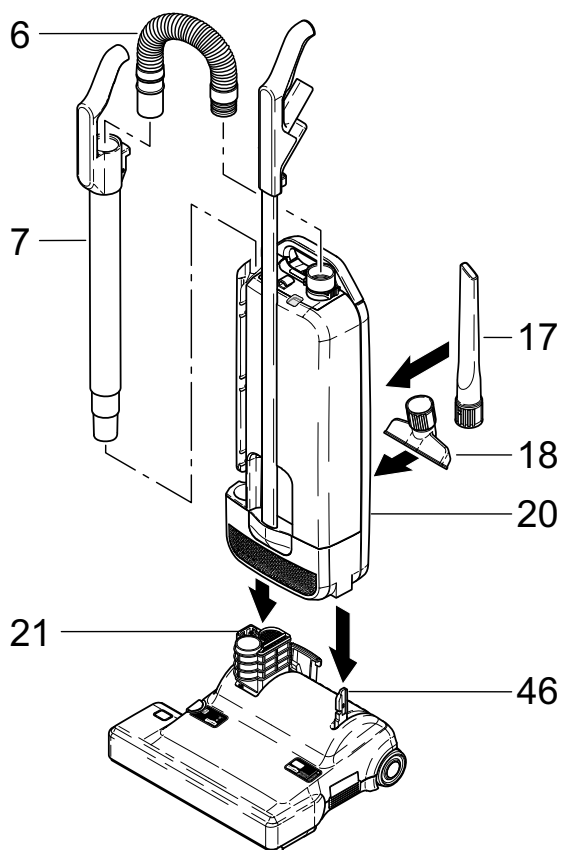


### Controles/Componentes

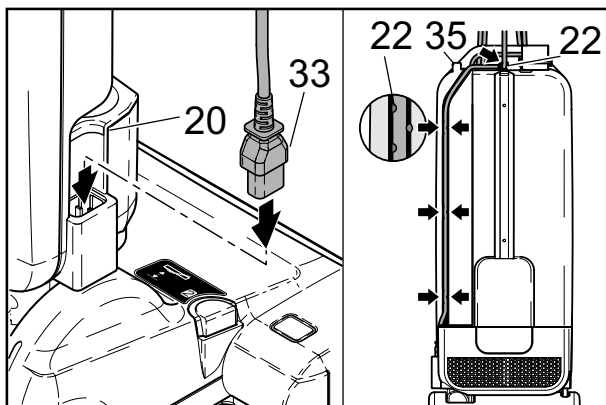
- |                                      |                                      |
|--------------------------------------|--------------------------------------|
| 1. Asa                               | 11. Perilla de ajuste de pila        |
| 2. Tubo de manija                    | 12. Botón de liberación              |
| 3. Anillo de retención               | 13. Cable eléctrico                  |
| 4. Indicador de bolsa llena          | 14. Asa de transporte trasera        |
| 5. Asa de tubo de sujeción           | 15. Seguro de liberación de cubierta |
| 6. Manguera                          | 16. Gancho para cable                |
| 7. Tubo de sujeción                  | 17. Boquilla con hendidura           |
| 8. Asa empotrada                     | 18. Boquilla para tapicería          |
| 9. Cabezal de potencia               | 19. Pedal                            |
| 10. Interruptor de encendido/apagado |                                      |

### Ensamblado de la aspiradora

Coloque con cuidado la carcasa de la bolsa de polvo (20) en posición vertical. Colóquela sobre el cuello giratorio (21) y la palanca de soporte (46) del cabezal de potencia (9) hasta que el botón de liberación (12) se trabe.



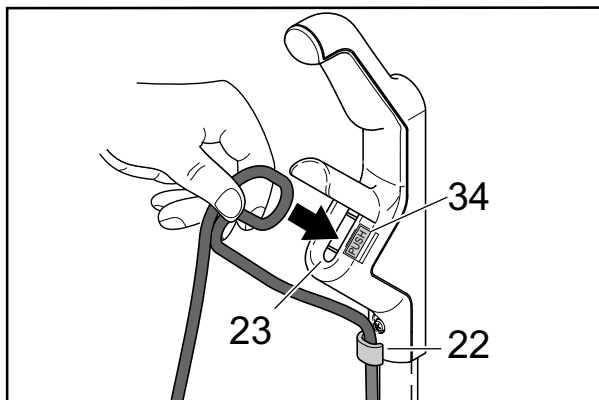
Para desarmarla, pulse el botón de liberación (12) y retire la carcasa de la bolsa de polvo (20) del cabezal de potencia (9).



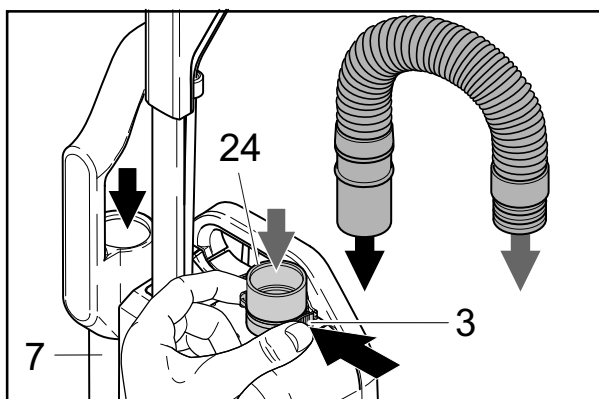
Para conectar el cable eléctrico a la máquina, presione el enchufe de goma (33) del cable en la toma del cuello giratorio (21) al ensamblar la aspiradora.

Asegúrese de que el enchufe de goma esté completamente insertado en la toma.

Coloque el cable eléctrico en la ranura (22) de la carcasa de la bolsa de polvo situada en el espacio para el accesorio de varilla; luego, páselo por las mordazas de la parte superior de la carcasa de la bolsa y de la parte posterior del mango.

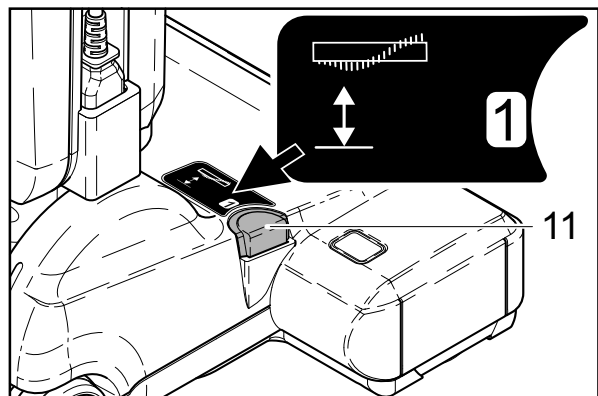
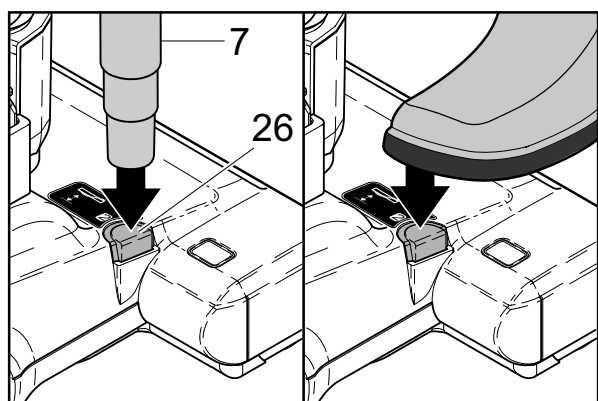
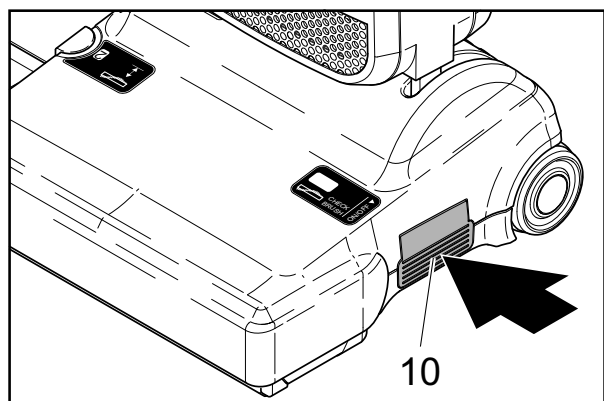
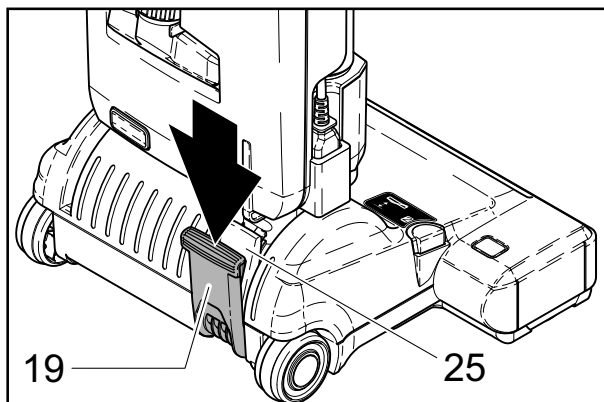


Finalmente inserte el cable eléctrico en la abrazadera de cable (23). Oirá un "clic" cuando se inserte completamente el cable eléctrico. Para extraer el cable eléctrico, pulse el botón (34) que está junto a la abrazadera de cable (23) y retire el cable.



Monte el tubo de sujeción (7) en el cuello giratorio (21) y luego empuje el mango del tubo de sujeción (5) sobre la proyección (35). Empuje el extremo negro de la manguera dentro del tubo de conexión (24) hasta que se trabase con un clic. La manguera puede extraerse apretando el anillo de retención (3). El otro extremo de la manguera encaja en el tubo de sujeción (7) de una sola manera.

*NOTA: Si la máquina no funciona, entonces los pasos anteriores no se han ejecutado correctamente. Asegúrese que las partes estén montadas correctamente, especialmente el enchufe del cable y cuello giratorio.*



### Instrucciones de operación

Las aspiradoras Sensor2 están diseñadas para un alto rendimiento, facilidad de uso y durabilidad. El cepillo giratorio con ajuste de altura manual limpia las alfombras y otros pisos de forma completa y segura. La manguera y el tubo de sujeción permiten limpiar en todas las direcciones.

La máquina cuenta con tecnología de filtro S-Class para satisfacer los requisitos de higiene modernos.

El seguro de pedal (25) bloquea la máquina en posición vertical. Para liberar la máquina de la posición vertical, suelte el pedal (19) y baje la carcasa de la bolsa de polvo.

### **⚠ PRECAUCIÓN:**

**Si se usa sobre una alfombra gruesa o acolchada, apague la unidad cuando la manija esté en posición vertical.**

El interruptor de encendido/apagado (10) se sitúa ergonómicamente a un lado del cabezal de potencia, y se puede operar con un simple toque del pie.

La altura del cepillo se puede modificar con el pie o con el tubo de sujeción.

Para ello, ponga la máquina en posición vertical y quite el tubo de sujeción hacia arriba.

El extremo del tubo de sujeción (7) encaja en la ranura (26) del botón de ajuste de altura (11).

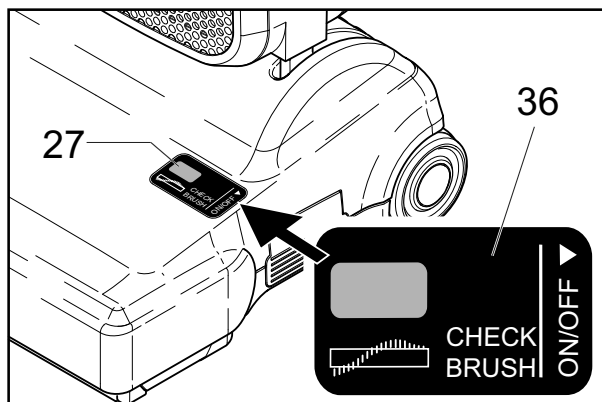
Al pulsar el botón (11), el cepillo se puede ajustar desde la posición 1 (ajuste más bajo) a 4 (ajuste más alto).

Cuando el cepillo sea nuevo, póngalo en la posición 2.

Si es difícil de empujar, cámbielo a la posición 3 o 4.

Para obtener una limpieza profunda e intensa, se recomienda la posición 1.

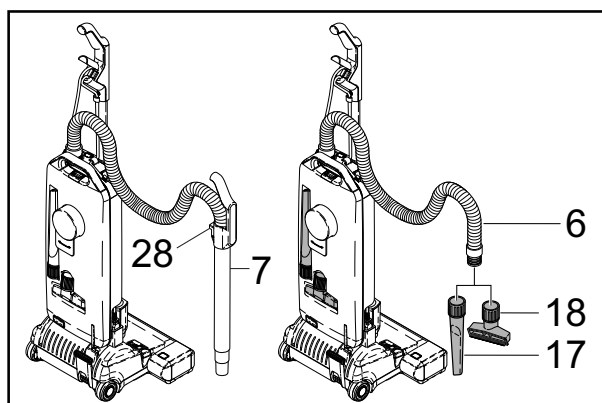




Esta aspiradora tiene un indicador de cepillo atascado (27). Si el cepillo se atasca o se sobrecarga, la máquina se apagará en forma automática y se verá el indicador anaranjado en la pantalla (36). Si esto ocurre, desenchufe la máquina y elimine la obstrucción.

### ⚠ ADVERTENCIA:

**SIEMPRE** desenchufe el aparato de la toma de corriente antes de desarmar cualquier parte de la máquina.

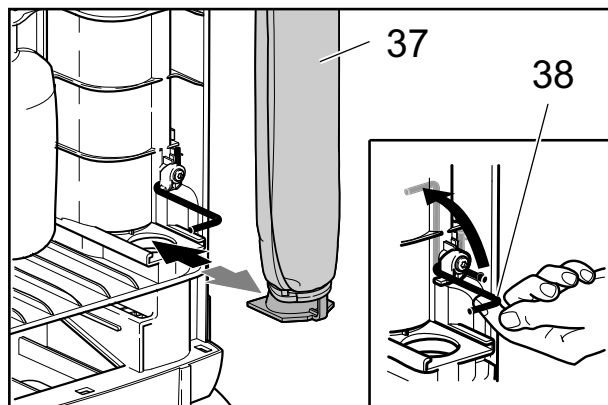
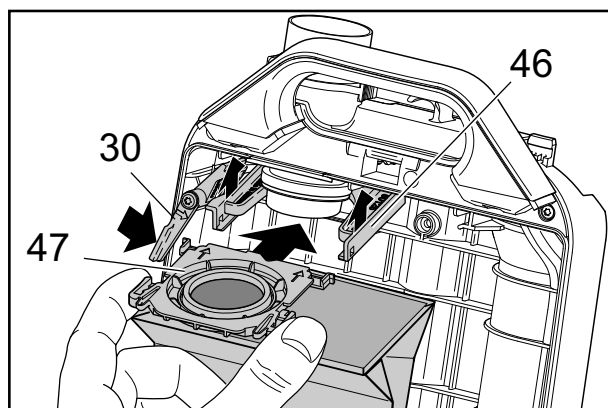
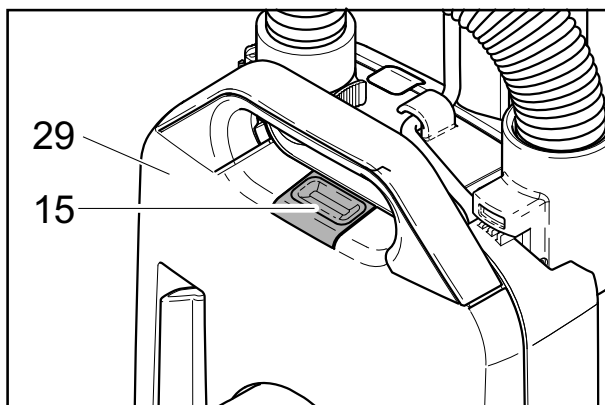
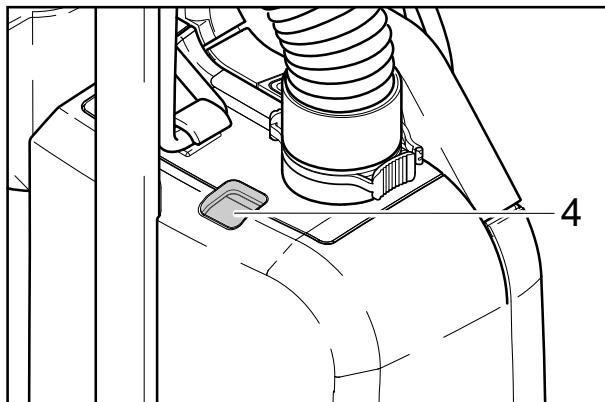


Para utilizar el tubo de sujeción (7) o la manguera (6), ponga la máquina en posición vertical; a continuación, retire el tubo de la máquina y estire la manguera hasta que se trabé. A volver a colocar el tubo en la máquina, asegúrese de empujarlo hasta el fondo sobre la proyección (35) de la carcasa.

La manguera (6) se puede utilizar por separado. Pulse el botón (28) de la parte trasera del tubo (7) y separe la manguera (6) del tubo (7). Después de usar la manguera, colóquela nuevamente en el tubo. Los accesorios (17,18) se conectan al extremo de la manguera o al extremo del tubo.

### ⚠ PRECAUCION:

Quando utilice los accesorios, mantenga el cepillo de piso lejos de la alfombra manteniendo la manija en posición trabada y bajando la manija con la mano para levantar el cepillo del piso. Opere los accesorios con la otra mano.



## Mantenimiento y servicio

### **⚠ ADVERTENCIA:**

**SIEMPRE** desenchufe el aparato de la toma de corriente antes de desarmar cualquier parte de la máquina.

### Indicador de bolsa llena

Si el indicador de advertencia (4) se vuelve anaranjado, significa que el flujo de aire se ha reducido. Esto puede ocurrir si los filtros están sucios, si hay un bloqueo en la manguera o la base de la máquina, o si la bolsa de papel está llena. Si se aspira polvo fino, puede ser necesario reemplazar la bolsa por adelantado, aun cuando no esté llena. La pelusa o el cabello dejan pasar el aire con facilidad, de modo que la bolsa puede llenarse en exceso sin que se encienda el indicador de llenado.

### Reemplazo de la bolsa filtros de papel

**Tenga en cuenta:** Hay un mecanismo que evita el bloqueo de la cubierta antes de instalar una bolsa de polvo. La cubierta del bolso del filtro frontal no se puede instalar y bloquear completamente sin una bolsa de filtro montada correctamente.

Para reemplazar la bolsa de papel, presione el retén (15) y retire la cubierta de la bolsa (29). Empuje la palanca (30) hacia la derecha. A continuación, cambie la bolsa, como se ilustra en la parte frontal de la bolsa. Asegúrese de que la parte superior de la bolsa (47) esté situada correctamente en ambos lados del soporte (46), y empuje hasta que se trabé.

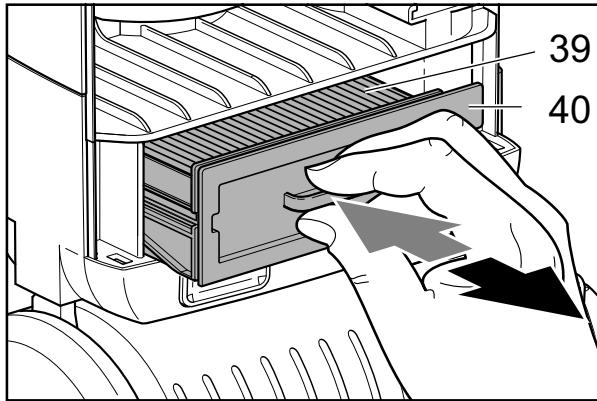
*NOTA: No reutilice las bolsas.*

*NOTA: Utilice sólo filtros y bolsas aprobados por el fabricante.*

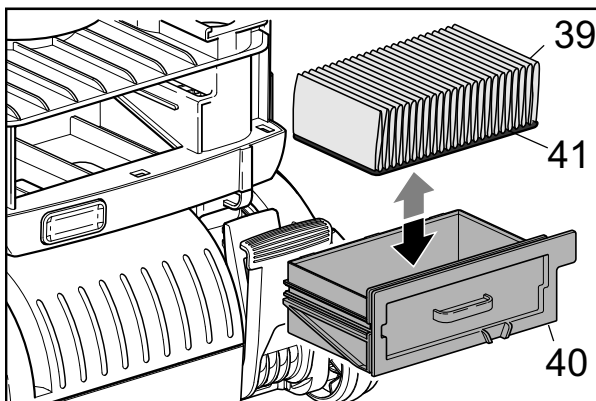
Para colocar una nueva bolsa de polvo, deslice el lado derecho de la parte superior de la bolsa en el soporte (46) y monte la entrada de polvo de la parte superior de la bolsa (47) sobre el tubo de conexión hasta que la bolsa encaje en la palanca.

### Reemplazo de los filtros

El microfiltro (37) está situado en el compartimiento de la bolsa de polvo. Para cambiar el microfiltro, deslícelo hacia fuera. Asegúrese que no caigan partículas en el cuello giratorio. Para insertar un nuevo microfiltro (37), levante la barra de metal (38) para deslizar el filtro.



El filtro de escape (39) está situado dentro del soporte de filtro independiente (40). Para cambiar el filtro de escape (39), tire del soporte del filtro de escape (40). El filtro interno se puede sacar fácilmente.



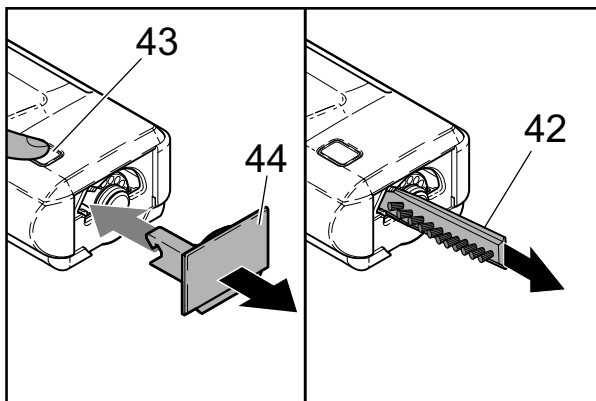
Coloque el nuevo filtro de escape (39) con la junta de estanqueidad (41) hacia abajo e inserte el soporte del filtro en la carcasa para la bolsa de polvo.

Reemplace el microfiltro y el filtro de escape cuando se ensucien, o cada 20 cambios de la bolsa de papel.

No lave los filtros.

No utilice repetidamente las bolsas.

La cubierta de la bolsa (29) sólo se puede cerrar cuando los filtros están bien montados.



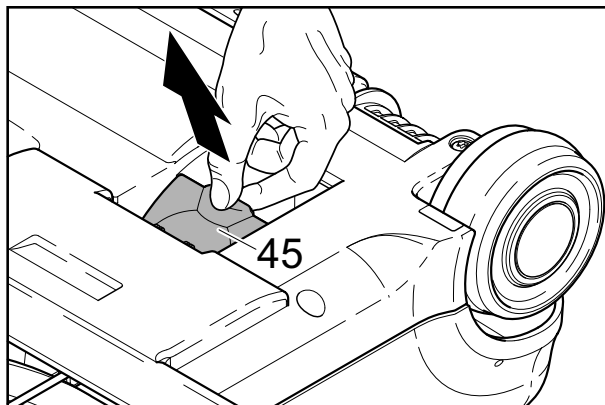
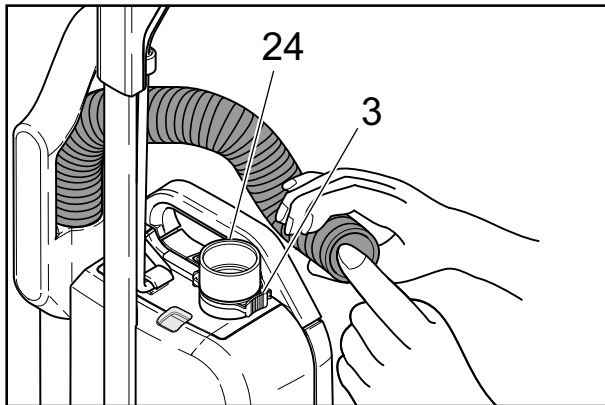
### Reemplazo de la banda de cepillo

#### **⚠ ADVERTENCIA:**

**SIEMPRE** desenchufe el aparato de la toma de corriente antes de desarmar cualquier parte de la máquina.

Para cambiar la banda de cepillo (42), presione el botón (43), retire la placa lateral (44) y gire el cepillo para sacar la banda de cepillo (42) por la abertura. Asegúrese de insertar bien la nueva banda (42), y vuelva a presionar la placa lateral (44) hasta que quede en su sitio.

*NOTA: Asegúrese de empujar completamente la placa lateral (44) para que quede trabada en su lugar.*



### Desobstrucciones

Las obstrucciones en la manguera pueden despejarse retirando la manguera de la máquina. Apriete el anillo de retención (3) y quite la manguera.

Si no hay obstrucción visible, conecte el extremo incorrecto de la manguera al tubo de conexión (24), manténgalo en posición vertical con una mano, bloquee la parte superior con la otra mano y encienda la máquina. Si es necesario tape y destape con la mano el extremo de la manguera.

### **⚠ PRECAUCION:**

**Nunca use un objeto cortante para desobstruir la manguera.**

Verifique si hay obstrucciones en el cuello giratorio del cabezal de potencia y debajo de la trampilla amarilla (45) ubicada en la parte inferior del cabezal de potencia. Asegúrese de que el paso entre estas dos aberturas del cabezal de potencia esté despejado.

Sensor 2 (120V)

**KÄRCHER**

makes a difference

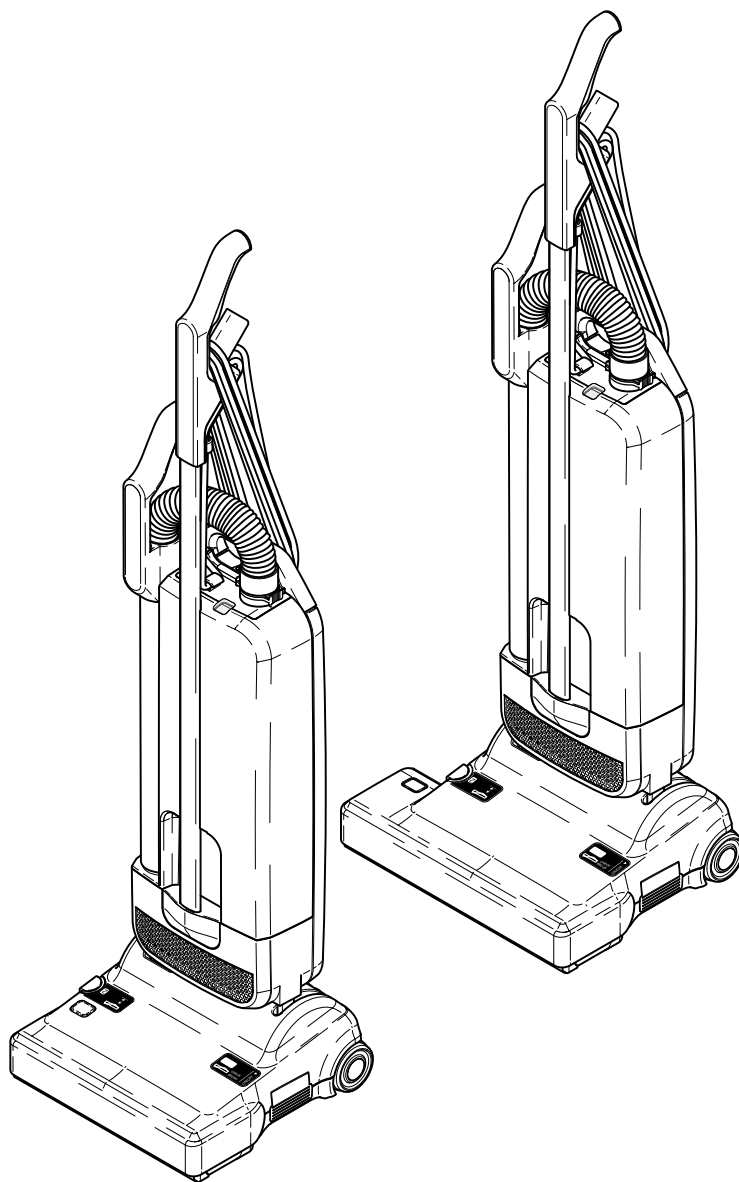
**Aspirateur**

**Instructions d'utilisation (FRE)**

**MODÈLES :**

1.012-070.0  
12" Sensor 2

1.012-071.0  
14" Sensor 2



86400000-G 12/10/21

## Étiquette de données de la machine

Modèle : \_\_\_\_\_

Date d'achat : \_\_\_\_\_

Numéro de série : \_\_\_\_\_

Détaillant : \_\_\_\_\_

Adresse : \_\_\_\_\_

Numéro de téléphone : \_\_\_\_\_

Représentant commercial: \_\_\_\_\_

### Enregistrement de la garantie

Merci d'avoir acheté un produit Kärcher North America. L'enregistrement de la garantie est facile et rapide. Votre enregistrement nous permettra de mieux vous servir tout au long de la durée de vie de votre produit.

Pour enregistrer votre produit, consultez :

<http://warranty.karcherna.com>

Pour l'assistance client:

1-800-444-7654

**KÄRCHER**

Étiquette de données de la machine ..... 2  
Table des matières ..... 3  
Comment utiliser ce manuel..... 44

**Sécurité**

CONSIGNES DE SÉCURITÉ IMPORTANTES .. 5  
NIVEAU D'INTENSITÉ DU DANGER..... 6  
INSTRUCTIONS DE MISE À LA TERRE..... 7  
Précautions..... 8

**Fonctionnement**

Spécifications techniques ..... 10  
Montage de l'aspirateur..... 12  
Instructions de fonctionnement..... 14

**Maintenance**

Indicateur de sac plein ..... 16  
Remplacement du sac en papier ..... 16  
Remplacement des filtres ..... 16  
Remplacement du porte-brosse ..... 17  
Élimination des blocages ..... 18

**Parts**

Upper Housing ..... 22  
12" Power Head ..... 24  
14" Power Head ..... 26  
Wiring Diagram ..... 28

## Comment utiliser ce manuel4

Ce manuel contient les chapitres suivants :

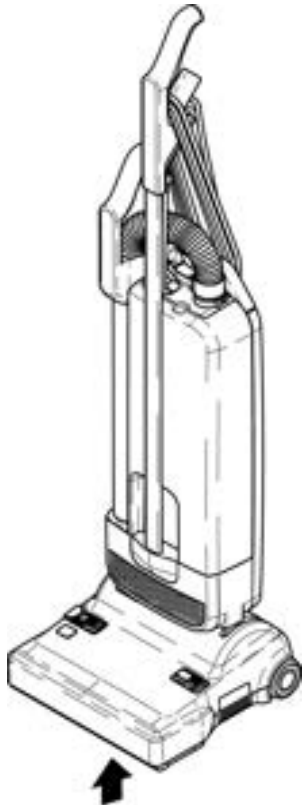
- Comment utiliser ce manuel4
- Sécurité
- Fonctionnement
- Maintenance
- Liste des pièces

Le chapitre COMMENT UTILISER CE MANUEL vous indique où trouver les informations importantes pour commander les pièces de rechange correctes.

Les pièces peuvent être commandées auprès des revendeurs agréés. Lorsque vous commandez une pièce, il est important de préciser le modèle et le numéro de série de la machine. Se reporter à l'étiquette DONNÉES DE LA MACHINE, qui est remplie au cours de l'installation de celle-ci. L'étiquette DONNÉES DE LA MACHINE se trouve dans la couverture intérieure du présent manuel.

Model: \_\_\_\_\_  
Date of Purchase: \_\_\_\_\_  
Serial Number: \_\_\_\_\_  
Dealer: \_\_\_\_\_  
Address: \_\_\_\_\_  
Phone Number: \_\_\_\_\_  
Sales Representative: \_\_\_\_\_

Le modèle et le numéro de série de votre machine sont indiqués en bas de celle-ci.



Le chapitre SECURITÉ contient des informations importantes relatives aux pratiques dangereuses ou contraires à la sécurité lors de l'utilisation de la machine. Les niveaux de danger sont identifiés en fonction des critères suivants : dommages du produit, blessure personnelle, blessure grave qui pourrait entraîner la mort.

Le chapitre FONCTIONNEMENT permet à l'opérateur de se familiariser avec l'utilisation et le fonctionnement de la machine.

Le chapitre MAINTENANCE décrit la maintenance préventive à effectuer pour conserver la machine et ses composants en bon état de fonctionnement. Ceux-ci sont répertoriés dans l'ordre générique suivant :

- Indicateur de sac
- Remplacement du sac
- Remplacement du filtre
- Remplacement du porte-brosse
- Élimination des blocages

Le chapitre LISTE DES PIÈCES contient les illustrations des pièces assemblées et la liste des pièces correspondante. La liste des pièces se compose de plusieurs colonnes d'information :

- La colonne **REF** – fait référence au numéro de référence sur les illustrations des pièces.
- **La colonne N° DE PIÈCE** – répertorie le numéro de pièce de la pièce.
- **N° PRV** – numéro de référence.
- La colonne **QTÉ** – répertorie la quantité de pièces utilisées dans cette partie de la machine.
- La colonne **DESCRIPTION** – contient une courte description de la pièce.
- La colonne **NOTES** – est destinée à recevoir les informations non spécifiées dans les autres colonnes.

*REMARQUE : Si un kit d'entretien ou d'option est installé sur la machine, s'assurer de conserver les INSTRUCTIONS DU KIT qui accompagnaient le kit. En effet, elles contiennent les numéros de pièce de rechange nécessaires à la commande de pièces.*

*REMARQUE : Le numéro de pièce du manuel se trouve dans le coin inférieur de la couverture.*



# CONSIGNES DE SÉCURITÉ IMPORTANTES

Lors de l'utilisation de cette machine, des précautions de base doivent toujours être prises, y compris les précautions suivantes :  
**LIRE TOUTES LES INSTRUCTIONS AVANT D'UTILISER CETTE MACHINE.**

**▲ AVERTISSEMENT:** Pour réduire le risque d'incendie, d'électrocution ou de blessure :

1. Ne pas laisser l'appareil sans surveillance lorsque celui-ci est branché. Le débrancher de la prise murale lorsqu'il n'est pas utilisé et avant l'entretien.
2. Ne pas utiliser la machine à l'extérieur ou sur des surfaces mouillées.
3. Ne pas utiliser en présence de jeunes enfants. Ne pas autoriser son utilisation comme un jouet. Une surveillance étroite est nécessaire lorsque la machine est utilisée par ou à proximité d'enfants.
4. Utiliser la machine uniquement comme décrit dans le manuel. Utiliser uniquement les accessoires préconisés par le fabricant.
5. Ne pas utiliser la machine si la fiche ou le cordon d'alimentation sont endommagés. Si la machine ne fonctionne pas comme prévu, si elle est tombée, a été endommagée, laissée dehors ou est tombée dans l'eau, la retourner à un centre d'entretien.
6. Ne pas tirer la machine ou la porter par le cordon d'alimentation, ne pas utiliser le cordon comme poignée, fermer une porte sur le cordon, ou tirer le cordon autour de rebords ou coins tranchants. Ne pas passer la machine sur le cordon. Tenir le cordon éloigné des surfaces chaudes. Ne pas serrer le cordon plus que nécessaire autour de la machine pour le maintenir sur les crochets du cordon.
7. Ne pas débrancher la machine en tirant sur le cordon. Pour débrancher, saisir la fiche et non le cordon.
8. Ne pas manipuler la fiche ou la machine avec les mains mouillées.
9. Ne placer aucun objet dans les ouvertures. Ne pas utiliser la machine si l'une des ouvertures est bouchée, éliminer la poussière, les peluches, les cheveux et toute substance qui pourrait réduire le flux d'air.
10. Maintenir les cheveux, vêtements larges et les doigts et toute partie du corps à distance des ouvertures et des pièces mobiles. Ne pas placer les doigts ou toute autre partie du corps sous l'aspirateur, sauf si celui-ci est débranché.
11. Ne pas aspirer toute substance qui brûle ou qui fume, comme des cigarettes, des allumettes ou des cendres chaudes.
12. Ne pas utiliser si le sac à poussière et/ou les filtres ne sont pas en place. Ne pas laver les filtres.
13. Désactiver toutes les commandes avant de débrancher.
14. Redoubler de prudence lors du nettoyage des escaliers. Ne pas utiliser cette machine pour aspirer des liquides inflammables ou combustibles tels que l'essence ni utiliser la machine dans les lieux où ce type de substance était présente.
15. Ne pas faire fonctionner cette machine à proximité de liquides, poussière ou vapeurs inflammables.
16. La maintenance et les réparations doivent être effectuées par du personnel qualifié.
17. Brancher la machine à une prise électrique correctement reliée à la terre uniquement. Voir les Instructions de mise à la terre.
18. Ne pas utiliser la machine comme marchepieds.
19. Si la machine est utilisée sur un tapis pelucheux, ou très épais, ne pas la laisser à un endroit lorsqu'elle fonctionne.
20. L'utilisation d'une rallonge électrique ou de douilles dont l'intensité est inadaptée peut entraîner une électrocution ou un incendie.

**LIRE ET CONSERVER CES INSTRUCTIONS**

## Sécurité

---

Les symboles suivants sont utilisés dans tout ce manuel, tels que décrits ici :

### NIVEAU D'INTENSITÉ DU DANGER

Il existe trois niveaux d'intensité du danger, identifiés par des termes d'avertissement - **AVERTISSEMENT**, **ATTENTION** et **POUR VOTRE SÉCURITÉ**. Le niveau d'intensité du danger est déterminé par les définitions suivantes :

#### **AVERTISSEMENT:**

**AVERTISSEMENT** - Les dangers ou des pratiques contraires à la sécurité qui **POURRAIENT** entraîner des blessures personnelles ou la mort.

#### **ATTENTION:**

**ATTENTION** - Les dangers ou des pratiques contraires à la sécurité qui pourraient entraîner des blessures personnelles légères ou des dégâts sur le produit ou d'autres biens.

#### **POUR DES RAISONS DE SÉCURITÉ : Pour identifier les actions qui doivent être exécutées pour un fonctionnement sûr de l'équipement.**

Signaler immédiatement tout dommage subi par la machine ou fonctionnement défectueux. Ne pas utiliser la machine si elle ne fonctionne pas correctement. Ci-dessous se trouvent les informations indiquant les conditions potentiellement dangereuses pour l'opérateur ou l'équipement. Lire attentivement ces informations. Être conscient que ces conditions peuvent survenir. Repérer tous les dispositifs de sécurité sur la machine. Suivre les étapes nécessaires de formation du personnel qui utilise la machine.

#### **POUR DES RAISONS DE SÉCURITÉ :**

**NE PAS FAIRE FONCTIONNER LA MACHINE :**

Sauf si le personnel est formé et autorisé.

Sauf si le manuel d'utilisation est lu et compris.

Dans des zones inflammables ou explosives.

Dans des zones contenant des objets susceptibles de tomber

#### **LORS DE L'ENTRETIEN DE LA MACHINE :**

Éviter les pièces mobiles. Ne pas porter de vêtements, vestes, chemises ou manches vagues lors de l'entretien de la machine. Utiliser les pièces de rechange approuvées par le fabricant.

## INSTRUCTIONS DE MISE À LA TERRE

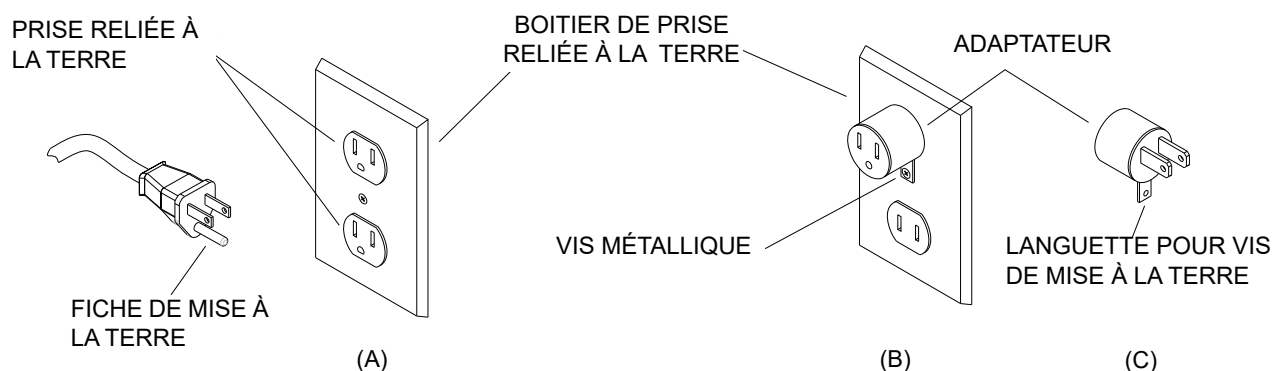
Cet appareil doit être relié à la terre. S'il fonctionne mal ou tombe en panne, la mise à la terre fournit un chemin de résistance moindre au courant électrique pour réduire le risque d'électrocution. Cet appareil est fourni avec un cordon équipé d'un conducteur de mise à la terre d'équipement et d'une fiche de terre. La fiche doit être insérée dans une prise appropriée qui est correctement installée et mise à la terre, conformément aux codes et réglementations locales.

### **▲ AVERTISSEMENT:**

**Une connexion incorrecte du conducteur de mise à la terre de l'équipement peut entraîner une électrocution. En cas de doute sur la mise à la terre de la prise murale, vérifier, avec un électricien qualifié ou un technicien d'entretien. Ne pas modifier la fiche fournie avec l'appareil- Si elle ne correspond pas à la prise murale, faire installer une prise appropriée par un électricien qualifié.**

Cet appareil doit être utilisé sur un circuit nominal de 120 volts et est équipé d'une prise de terre qui ressemble à celle illustrée dans le schéma A. Un adaptateur temporaire ressemble à l'adaptateur illustré aux schémas B et C, peut être utilisé pour brancher la fiche à une prise à 2 pôles comme illustrés au schéma B si aucune prise correctement reliée à la terre n'est disponible. L'adaptateur temporaire doit être utilisé uniquement jusqu'à ce qu'une prise correctement reliée à la terre (schéma A) puisse être installée par un électricien qualifié. La patte rigide ou le crochet de couleur verte ou l'équivalent à l'extrémité de l'adaptateur doit être connecté à une prise de terre permanente telle qu'une boîte de jonction correctement reliée à la terre. Dès lors que l'adaptateur est utilisé, il doit être maintenu en place par une vis métallique.

*REMARQUE : Au Canada, l'utilisation d'un adaptateur temporaire n'est pas autorisée par le code canadien de l'électricité.*



## Sécurité

---

Veillez conserver ces instructions. Si vous donnez la machine à un tiers, veuillez lui donner également ces consignes de sécurité. Vous utilisez la machine à vos propres risques. Le fabricant / fournisseur ne peut pas être tenu pour responsable des blessures ou des dommages causés par une utilisation incorrecte de la machine. Cet appareil est destiné à un usage commercial, c'est-à-dire dans des hôtels, des écoles, des hôpitaux, des usines, des magasins, des bureaux et des sociétés de location. Cet appareil peut être utilisé par des enfants âgés de 8 ans et plus et les personnes souffrant de capacités physiques, sensorielles ou mentales réduites ou qui manquent d'expérience ou de connaissance, si elles sont supervisées ou qu'elles reçoivent des instructions sur l'utilisation sûre de l'appareil et comprennent les risques encourus. Les enfants ne doivent pas jouer avec l'appareil. Le nettoyage et la maintenance incombant à l'utilisateur ne doivent pas être confiés à des enfants s'ils ne sont pas strictement supervisés.

### ATTENTION:

#### Précautions

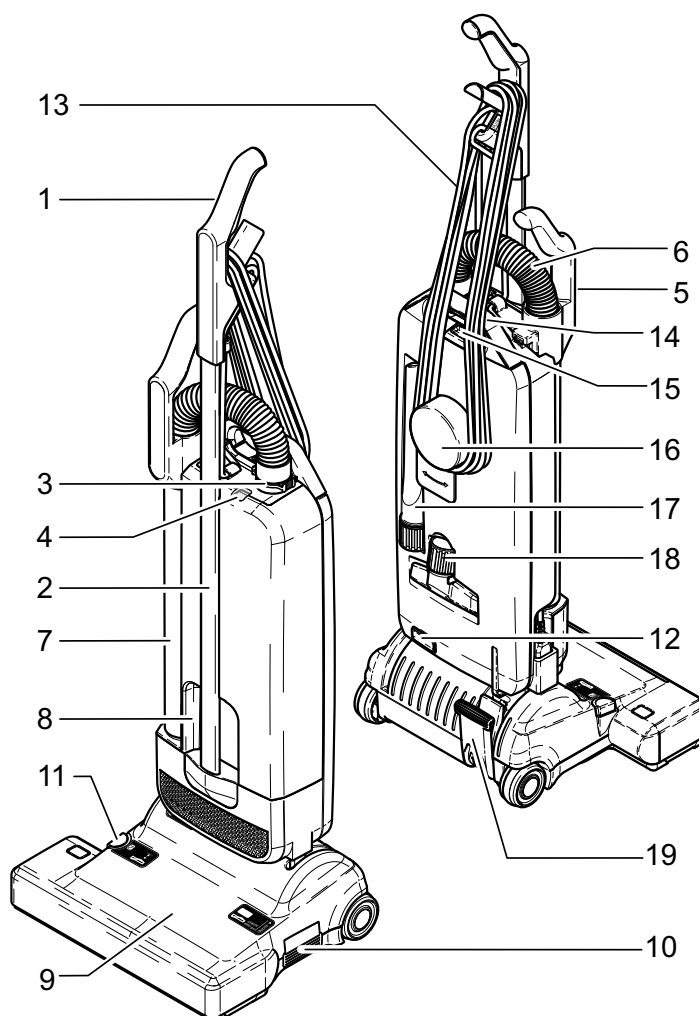
Avant d'utiliser l'aspirateur, toujours vérifier l'absence de dommages, notamment sur le câble d'alimentation secteur et le tuyau. Si un composant est endommagé, il doit être remplacé par une pièce approuvée par le fabricant. Pour des raisons de sécurité, les composants internes doivent être posés par un technicien de maintenance du fabricant ou un technicien de maintenance autorisé. L'utilisation de pièces qui ne sont pas d'origine annule la garantie de ce produit et peut engendrer de graves risques en terme de sécurité. Toutes les réparations effectuées pendant la période de garantie doivent être exécutées par un technicien de maintenance autorisé. Appareil électrique, ne pas exposer à des liquides, à l'humidité ou la chaleur.



## Fonctionnement

### Spécifications techniques

Article	Description
Moteur d'aspirateur	1 000 Watt
Aspiration	225 mbar [2 300 mm WS]
Débit d'air	106 cfm/50 l/s
Sac de filtre	1,4 gallon/5,3 litres, 3 couches
Largeur de travail	11,8 pouces/300 mm
Porte-brosse	Remplaçable
Entraînement de brosse	Courroie d'entraînement antidérapante
Câble	
12" Sensor2	25 pieds/7,62 m
14" Sensor2	39 pouces/12 m
Poids	
12" Sensor2	20,4 livres/9,3 kg
14" Sensor2	20,7 livres/9,4 kg
Protection	Reliée à la terre
Niveau de pression sonore $L_{pA}$	76 dB[A]
Coefficient d'élargissement $K_{pA}$	2 dB[A]
Valeur de vibrations mains-bras	< 2,5 m/s <sup>2</sup>
Coefficient d'élargissement K	< 0,2 m/s <sup>2</sup>

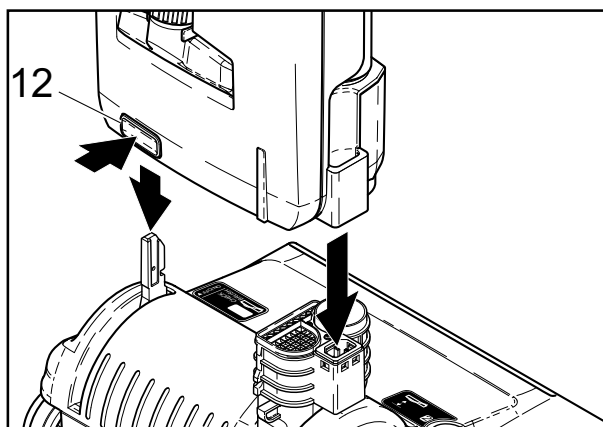
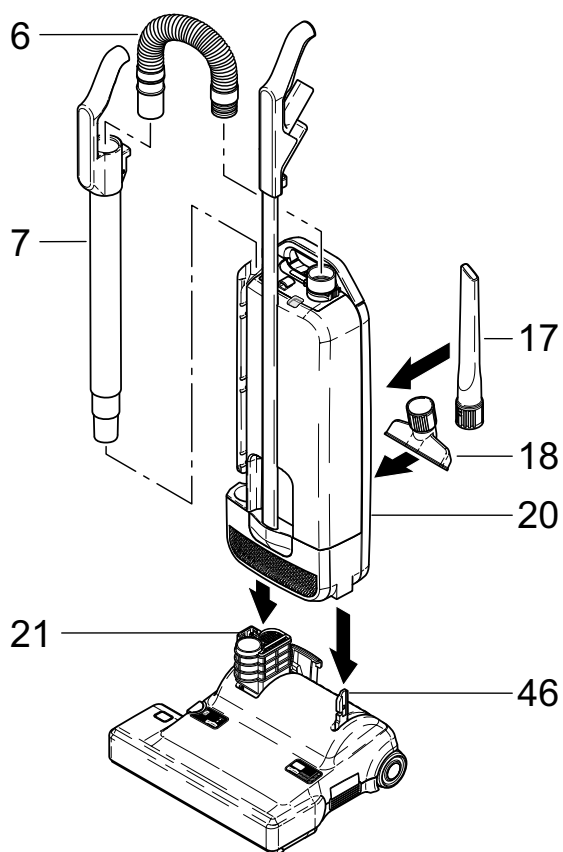


### Commande/Composants

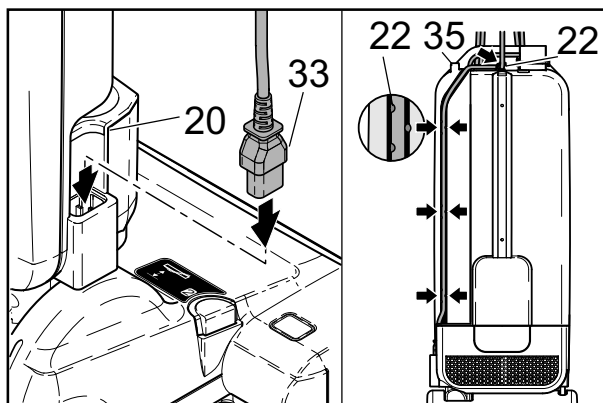
- |                             |  |
|-----------------------------|--|
| 1 Poignée                   | 11 Bouton d'ajustement de pile           |
| 2 Tube de poignée           | 12 Bouton de déverrouillage              |
| 3 Bague de maintien         | 13 Câble secteur                         |
| 4 Indicateur de sac plein   | 14 Poignée de transport arrière          |
| 5 Poignée accessoire        | 15 Verrou de déverrouillage du couvercle |
| 6 Tuyau                     | 16 Crochet de câble                      |
| 7 Tube accessoire           | 17 Suceur pour fentes                    |
| 8 Poignée moulée            | 18 Embout pour meubles                   |
| 9 Groupe moteur             | 19 Pédale                                |
| 10 Commutateur Marche/Arrêt |  |

### Montage de l'aspirateur

Placer avec précaution le logement du sac à poussière (20) en position verticale. Le placer au-dessus du coude pivotant (21) et du levier de support (46) du groupe moteur (9) jusqu'à ce que le bouton de déverrouillage (12) se bloque.



Pour démonter, appuyer sur le bouton de déverrouillage (12) et retirer le logement du sac à poussière (20) du groupe moteur (9).

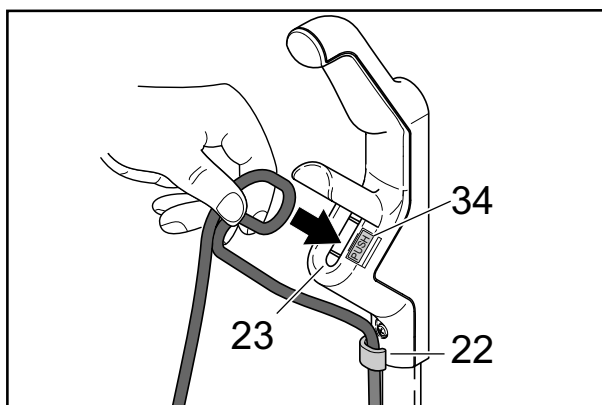


Pour placer le cordon d'alimentation de l'appareil, enfoncer la fiche en caoutchouc (33) du câble dans la prise située sur le coude pivotant (21) lorsque l'aspirateur est démonté.

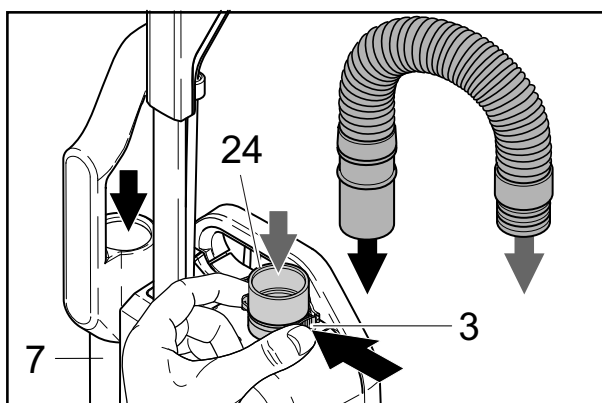
S'assurer que la fiche en caoutchouc est complètement enfoncée dans la prise.

Placer le cordon d'alimentation dans la rainure (22) du logement de sac à poussière située dans l'évidement de fixation de la lance, puis sur les colliers en haut du logement du sac à poussière et à l'arrière de la poignée.



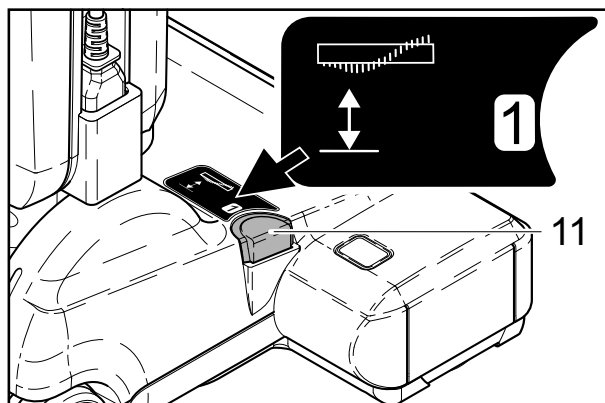
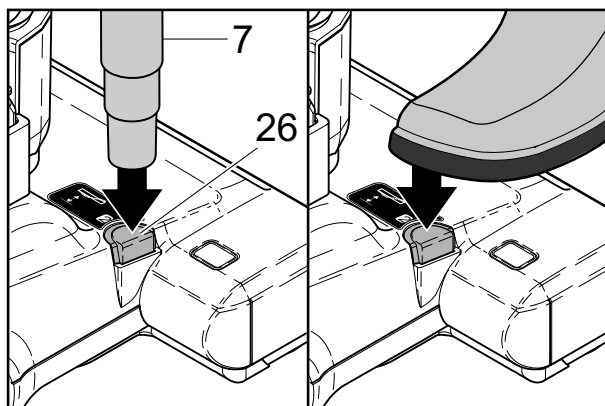
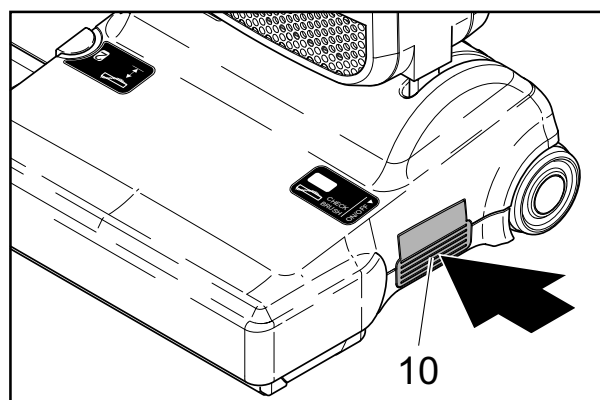
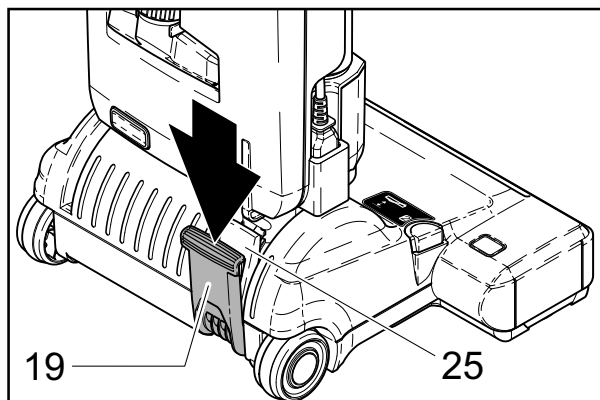


Enfin insérer le cordon d'alimentation dans le serre-câble (23). Un "clic" se fait entendre lorsque le câble est complètement inséré. Pour retirer le cordon d'alimentation, il suffit d'appuyer sur le bouton (34) à côté du serre-câble (23) et de le retirer.



Placer le tube de fixation (7) dans le coude pivotant (21) puis pousser sur la poignée du tube (5) par dessus la projection (35). Pousser l'extrémité du tuyau dans le tube de connexion (24) jusqu'à ce qu'il encliquète. Pour retirer le tuyau, il suffit de tourner la bague de maintien (3). L'autre extrémité du tuyau s'insère dans le tube de fixation (7) dans un seul sens.

*REMARQUE : Si la machine ne fonctionne pas, cela signifie que les étapes ci-dessus n'ont pas été correctement exécutées. Veuillez vous assurer que les pièces sont correctement emboîtées les unes dans les autres ; notamment la fiche du câble et le coude pivotant.*



### Instructions de fonctionnement

Les aspirateurs Sensor2 sont conçus pour offrir des performances élevées, assurer une utilisation et une durabilité prolongée. La brosse rotative permettant le réglage manuel en hauteur nettoie les tapis et les autres sols en profondeur en toute sécurité. Le tuyau et le tube accessoire vous permettent un nettoyage complet.

La machine est équipée d'une technologie de filtre S-Class pour répondre aux exigences de l'hygiène moderne.

Le verrou à pédale (25) verrouille la pédale en position verticale. Pour déverrouiller la machine de la position verticale, appuyer sur la pédale (19) et abaisser le logement de sac à poussière.

### **ATTENTION:**

**Si la machine est utilisée sur un tapis pelucheux ou une moquette épaisse, l'arrêter lorsque la poignée en position verticale.**

Le commutateur Marche/Arrêt (10) est situé de manière pratique sur le côté du groupe moteur et peut être actionné au pied.

Le réglage en hauteur de la brosse peut être modifié au pied ou via le tube accessoire.

Pour cela, placer la machine à la verticale, puis détacher le tube accessoire de la machine.

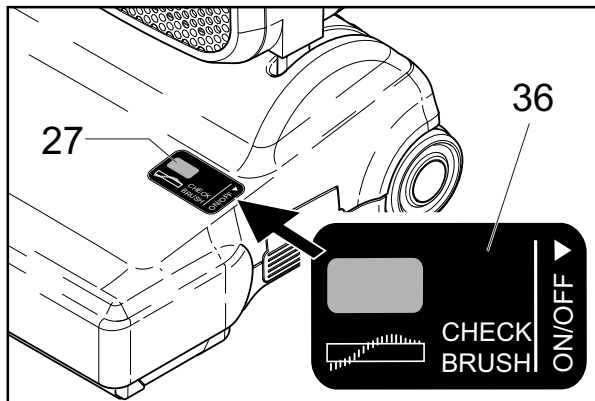
L'extrémité du tube accessoire (7) s'insère dans la rainure (26) du bouton d'ajustement de hauteur (11).

En appuyant sur le bouton (11), il est possible d'ajuster la brosse de la position 1 (réglage le plus bas) à 4 (réglage le plus haut) et inversement.

Lorsque la brosse est neuve, la régler à la position 2.

Si la machine est dure à pousser, la passer en position 3 ou 4.

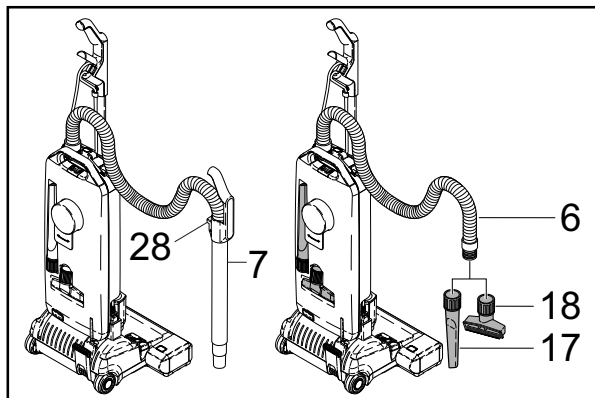
Pour un nettoyage intensif en profondeur, le réglage 1 est recommandé.



Cet aspirateur est équipé d'un voyant de bourrage de brosse (27). Si la brosse est pleine ou surchargée, la machine s'arrête automatiquement et le voyant orange s'allume sur l'écran (36). Si cela se produit, débrancher la machine et éliminer l'obstruction.

### **▲ AVERTISSEMENT:**

**TOUJOURS** débrancher la machine de la prise murale avant de démonter une pièce quelconque de la machine.

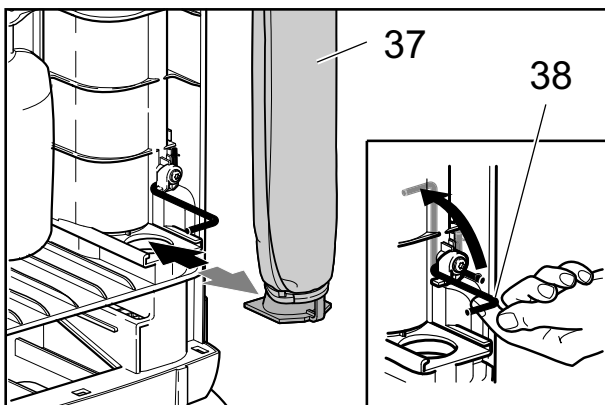
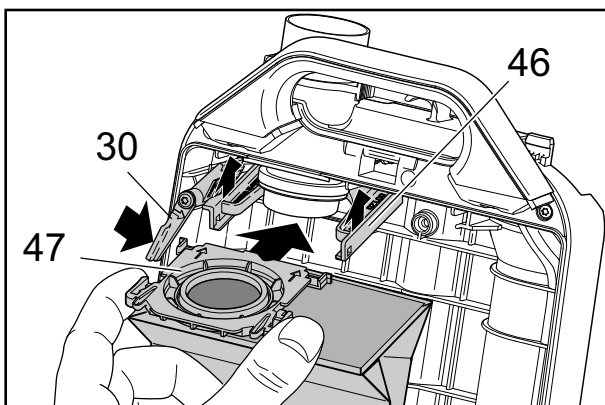
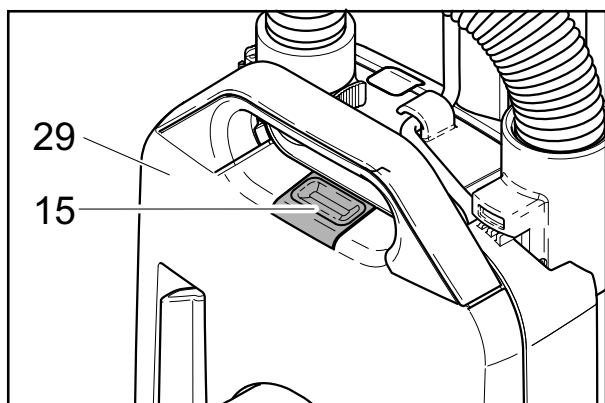
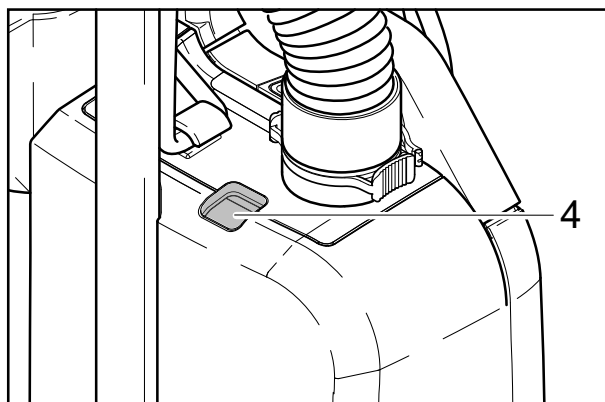


Pour utiliser le tube accessoire (7) ou le tuyau (6) placer la machine en position verticale, puis poser le tube de la machine et détendre le tuyau jusqu'à ce qu'il se verrouille. Lorsque le tube est replacé sur la machine, s'assurer de bien le pousser vers le bas sur la projection (35) du logement.

Le tuyau (6) peut être utilisé indépendamment. Appuyer sur le bouton (28) situé à l'arrière du tube (7) et extraire le tuyau (6) du tube (7). Après utilisation, replacer le tuyau dans le tube. Les accessoires (17,18) s'insèrent soit dans l'extrémité du tuyau ou dans l'extrémité du tube.

### **▲ ATTENTION:**

Lors d'utilisation d'outils accessoires, maintenir la brosse au-dessus du tapis en laissant la poignée en position verrouillée et en abaissant la poignée d'une main pour soulever la brosse du sol. Utiliser les accessoires de l'autre main.



## Maintenance et entretien

### **▲ AVERTISSEMENT:**

**TOUJOURS** débrancher la machine de la prise murale avant de démonter une pièce quelconque de la machine.

### Indicateur de sac plein

Si l'indicateur d'avertissement (4) devient orange, cela indique que le débit d'air est diminué. La raison en est soit des filtres sales, un blocage du tuyau ou à la base de la machine ou un sac à papier plein. L'aspiration de poussière fine peut nécessiter un changement précoce du sac, même si celui-ci n'est pas plein. Des peluches ou des cheveux laissent passer l'air facilement, le sac peut déborder avant que l'indicateur ne vire à l'orange.

### Remplacement du sac filtre en papier

**Remarque:** il existe un mécanisme empêchant le verrouillage du couvercle avant d'installer un sac à poussière. Le couvercle de sac de filtre avant ne peut pas être installé et verrouillé complètement sans un sac filtrant monté correctement.

Pour changer le sac en papier, appuyer sur la prise (15) et déposer le couvercle du sac (29). Pousser le levier (30) vers la droite. Puis changer le sac, comme illustré à l'avant du sac. S'assurer que le haut du sac (47) est correctement positionné des deux côtés du support (46) et le pousser jusqu'à ce qu'il se verrouille.

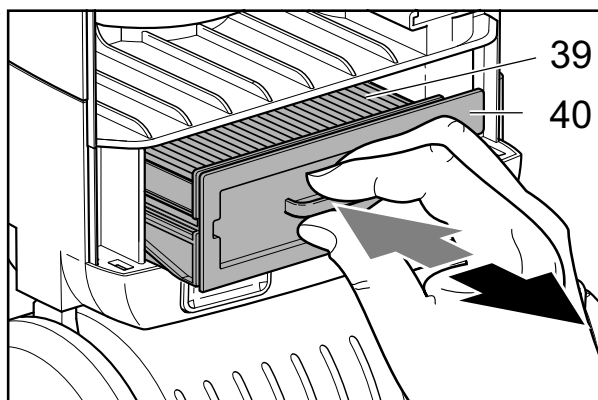
*REMARQUE : Ne pas réutiliser les sacs en papier.*

*REMARQUE : Utiliser uniquement des filtres et des sacs approuvés par le fabricant.*

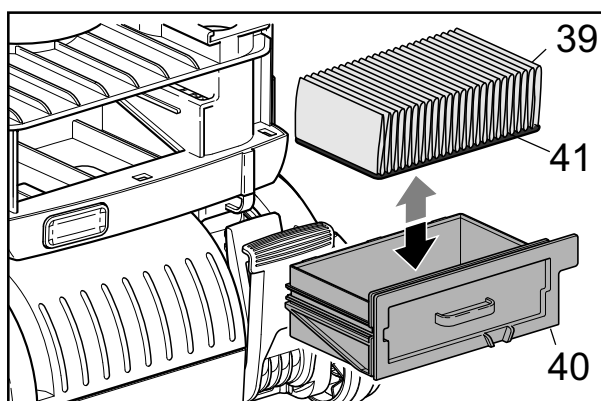
Pour placer un sac à poussière neuf, faire coulisser le côté droit du haut du sac dans le support (46) et placer l'admission de poussière du haut du sac (47) sur le tube de connexion jusqu'à ce que le sac du filtre se fixe dans le levier.

### Remplacement des filtres

Le microfiltre (37) est situé dans le compartiment du sac à poussière. Pour changer le microfiltre, le faire glisser vers l'extérieur. Veiller à s'assurer qu'aucune particule ne tombe à l'intérieur du coude pivotant. Pour insérer un microfiltre neuf (37) lever la barre métallique (38) pour glisser le filtre à l'intérieur.



Le filtre d'échappement (39) se trouve à l'intérieur du support du filtre séparé (40). Pour changer le filtre d'échappement (39) extraire le support de filtre d'échappement (40). Le filtre interne est facile à retirer.



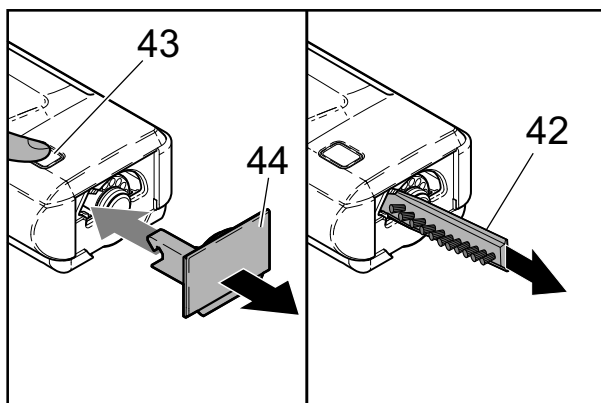
Replacer le filtre d'échappement (39) avec le joint d'étanchéité (41) vers le bas et réinsérer le support de filtre dans le logement de sac à poussière.

Remplacer le microfiltre et le filtre d'échappement lorsqu'il devient sale ou après avoir utilisé 20 sacs en papier.

Ne pas laver les filtres.

Ne pas réutiliser les sacs en papier.

Le couvercle de sac (29) ne peut être fermé que lorsque les filtres sont correctement positionnés.



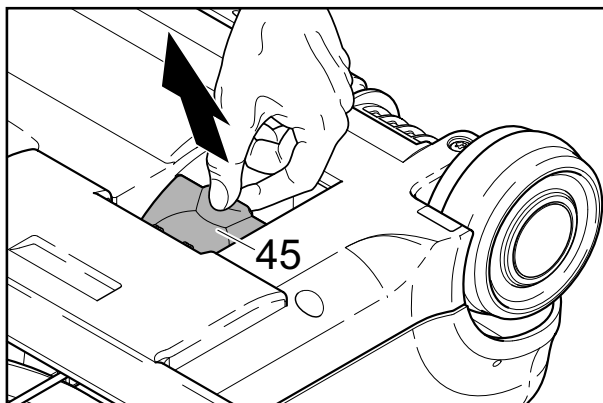
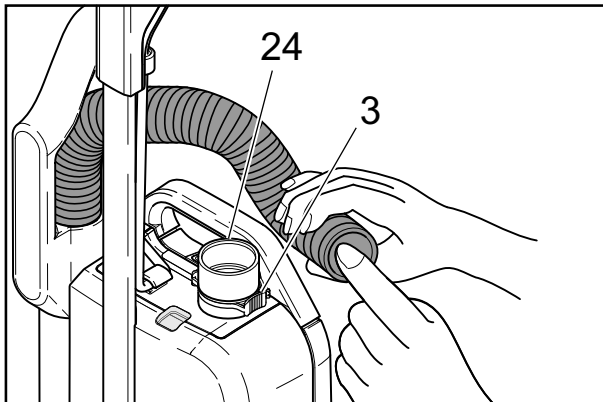
### Remplacement du porte-brosse

#### **▲ AVERTISSEMENT:**

**TOUJOURS débrancher la machine de la prise murale avant de démonter une pièce quelconque de la machine.**

Pour remplacer le porte-brosse (42), pousser sur le bouton (43), retirer la plaque latérale (44) et tourner la brosse afin de pouvoir tirer le porte-brosse (42) vers l'extérieur par l'ouverture. S'assurer que le porte-brosse neuf (42) est complètement inséré et appuyer sur la plaque latérale (44) pour la remettre en place.

*REMARQUE : S'assurer que la plaque latérale (44) est poussée à fond dans son logement afin qu'elle se verrouille en place.*



### Élimination des blocages

Il est possible d'éliminer les blocages du tuyau en retirant le tuyau de la machine. Appuyer sur la bague de maintien (3) puis retirer le tuyau.

Si aucun blocage n'est visible, placer l'extrémité défectueuse dans le tube de connexion (24), le maintenir à la verticale d'une main, bloquer le haut avec l'autre main et allumer la machine. Si nécessaire, lever rapidement la main et la retirer de l'extrémité du tuyau.

### **⚠ ATTENTION:**

**Ne jamais utiliser d'outil tranchant pour libérer le tuyau.**

Vérifier l'absence de blocage du coude pivotant du groupe moteur et sous la porte de la trappe jaune (45) en bas du groupe moteur. S'assurer que le passage entre les deux ouvertures dans le groupe moteur est libre.

# Wiring Diagram

