

# Mercury Floor Machines, Inc. New Equipment Warranty

## Limited Warranty

Mercury Floor Machines, Inc. warrants new equipment against defects in material and workmanship under normal use and service to the original purchaser. Any statutory implied warranties, including any warranty of merchantability or fitness for a particular purpose, are expressly limited to the duration of this written warranty. Mercury Floor Machines, Inc. will not be liable for any other damages, including but not limited to indirect or special consequential damages arising out of or in connection with the furnishing, performance, use or inability to use the machine. This remedy shall be the exclusive remedy of the purchaser. The warranty period is subject to the conditions stated below.

## 1-Year Warranty on Motor, 1-Year Service Labor

Mercury Floor Machines, Inc. warrants the motor on Wet/Dry Vacuums to be free from defects in material and workmanship, under normal use and service for one (1) year to the original purchaser. Parts replaced or repaired under this warranty are warranted for the remainder of the original warranty period. Service labor charges are covered for one (1) year from the date of purchase, when performed by a Mercury-authorized service provider. Freight charges to and from this service provider will be covered for ninety (90) days from the purchase date. After this ninety (90) day period, these freight charges will be paid by the equipment owner. Travel expenses are not covered.

## Wear Items on all Machines

**Critical Wear Items** - switches, wheels, tires and casters are warranted for manufacturing defects for one (1) year from the purchase date.

**Normal Wear Items** - carbon brushes, cords, finishes, squeegees and gaskets are warranted for manufacturing defects for ninety (90) days from the purchase date.

All warranties of motors and associated components will be voided: if the machine is serviced by anyone other than a Mercury-authorized service provider; if the machine is mechanically modified; or if the machine is misused or abused.

The warranty starts on the purchase date by the original purchaser from an authorized Mercury Floor Machines, Inc. distributor, subject to proof of purchase. The machine must be registered immediately following its purchase. The machine registration form may be completed online at [www.mercuryfloormachines.com/registration.aspx](http://www.mercuryfloormachines.com/registration.aspx) or contact Mercury Floor Machines for a registration card. If proof of purchase cannot be identified, the warranty start date is ninety (90) days after the date of sale to an authorized Mercury Floor Machines, Inc. distributor.



### Mercury Floor Machines, Inc.

110 South Van Brunt Street

Englewood, NJ 07631

Phone: (201) 568-4606

Toll Free: (888) 568-4606

Fax: (201) 568-7962

[www.mercuryfloormachines.com](http://www.mercuryfloormachines.com)

## THE STORM 20-GALLON WET/DRY VAC

### SAFETY, OPERATION AND MAINTENANCE MANUAL WITH PARTS LIST

Please read before use!

REGISTER  
YOUR  
MACHINE  
ONLINE!



Reliable Power

Innovative Design

Safe & Easy to Use

Powerful Vacuuming

Easy Transport

Two Models



### IMPORTANT INFORMATION AND SAFETY INSTRUCTIONS

Register your Machine at [mercuryfloormachines.com/registration.aspx](http://mercuryfloormachines.com/registration.aspx)  
Serial No: \_\_\_\_\_



## 7.0 Parts List for Optional Squeegee

Item No.	Description	Qty.
1	Rubber Strip	2
2	Screw for Well Nut	18
3	Fixing Bar	2
4	Swivel Caster	2
5	Caster Spring	2
6	Caster Bracket	2
7	Knob Nut	2
8	Nozzle Handle	1
9	Hand Screw A	1
10	Pull-Spring	1
11	Adjusting Pin	1
12	Circle Clip	1
13	Screw for Well Nut	1
14	Nozzle Connector	1
15	Hand Screw B	1
16	Screw for Well Nut	1
17	Joint Plate	1
18	Screw	4
19	Blocking Nut	1
20	Long Hose Connector	1
21	Suction Hose	1
22	Short Hose Connector	1

## 8.0 Tool Kit



BF5-37 Wet Floor Nozzle

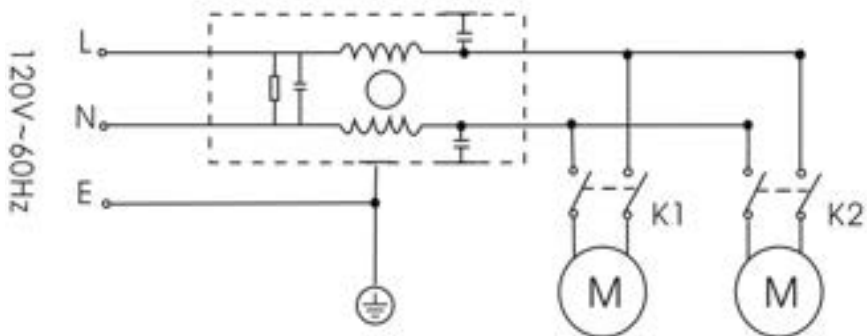


BF5-38 Crevice Tool



BF5-39 Dust Brush

## 9.0 Wiring Diagram



## 1.0 Safety Instructions

READ THIS MANUAL BEFORE USING WET/DRY VAC. KNOW THE PROPER OPERATION, CORRECT APPLICATIONS AND THE LIMITATIONS OF THIS EQUIPMENT **BEFORE** USE. THIS MACHINE IS FOR COMMERCIAL USE ONLY.

### WARNING:

To reduce the risk of fire, electric shock or injury, please read and follow all safety instructions and caution markings before use. This Wet/Dry Vac is designed to be safe when used for cleaning functions as specified. Should damage occur to electrical or mechanical parts, the Wet/Dry Vac and/or accessories, they should be repaired by a authorized service station or the manufacturer before use in order to avoid further damage to the machine or physical injury to the user.

### Reduce the Risk of Fire, Electric Shock or Injury:

- Do not use outdoors.
- Do not leave machine when it is plugged in. Unplug from electrical socket when not in use and before maintenance.
- Do not use with damaged cord or plug. To unplug, grasp the plug, not the cord. Do not handle plug or vacuum with wet hands. Turn off all controls before unplugging.
- Do not pull or carry vacuum by cord, use cord as a handle, close door on cord or pull cord around sharp edges or corners. Do not run vacuum over cord. Keep cord away from heated surfaces.
- Keep hair, loose clothing, fingers and all parts of the body away from openings and moving parts. Do not put any objects into openings or use when openings are blocked. Keep openings free of dust, lint, hair and anything else that could reduce the flow of air.
- Do not use to pick up flammable or combustible liquids such as gasoline, or use in areas where they may be present.
- Do not pick up anything that is burning or smoking such as cigarettes, matches or hot ashes.
- The machine is not intended for use by young children or infirm persons. Young children should be supervised to ensure that they do not play with the vacuum.
- Use extra care when leaning on stairs.
- Do not use unless filters are fitted.
- If the machine is not working properly or has been dropped, damaged, left outdoors or dropped into water, return it to a service center or dealer.
- Do not oil the motor in your vacuum. It is permanently lubricated and sealed.
- Do not operate the cleaner without filters installed as damage may result to the motor.
- Use only as described in this manual and only with the manufacturer's recommended attachments.

## 2.0 Care of your Wet/Dry Vac

For longer service life and safe use of your vacuum, we recommend the following guidelines:

- Your vacuum is designed to pick up dirt and dust particles as well as water. Avoid picking up hard or sharp objects with your vacuum to avoid filter breakage, clogging or possible motor damage.
- Remove the plug from the socket before performing maintenance. Before using the machine make sure that the frequency and voltage shown on the rating plate correspond with the mains voltage.
- Treat your vacuum cleaner as you would any other high grade precision made product. Dropping, unreasonable bumping across thresholds and other misuses may result in a damaged unit which will not be covered under warranty. When not in use the power cord should be wrapped around the handle for storage. After each use, wipe the vacuum body, accessories and power cord with a slightly damp cloth.

### 2.1 Electrical Power

This electric equipment is for use on a normal 120 volt circuit and has a grounded plug. A temporary adapter may be used to connect this plug into a 2-pole receptacle if a properly grounded outlet is not available. The temporary adapter should be used only until a properly grounded outlet can be installed by a qualified electrician. The green color rigid ear lug or the like extending from the adapter must be connected to a permanent ground, such as a properly grounded outlet box cover. Whenever the adapter is used, it must be held in place by a metal screw.

### 2.2 Grounding Instruction

**DANGER: IMPROPER USE OF THE GROUNDING PLUG CAN RESULT IN A RISK OF ELECTRIC SHOCK.**

Electrical equipment must be grounded. If it should malfunction or breakdown, grounding provides a path of least resistance for electrical current to reduce the risk of electric shock. The vacuum is equipped with a cord containing a grounding conductor and grounding plug. The plug must be inserted into an appropriate outlet that is properly installed and grounded in accordance with all local codes and ordinances.

This vacuum must be grounded while in use to protect the operator from electrical shock. This machine is built with a 3-wire cord and a 3-prong grounding-type plug (Figure 1) to fit a properly grounded receptacle.

Before using this vacuum, make sure a properly grounded, 3-hole electrical outlet is available. If not available, as in some older facilities, use an adapter for connecting a 3-prong plug to a 2-prong receptacle (Figure 2) to ground the outlet chassis.

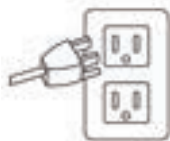


Figure 1

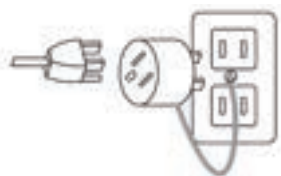
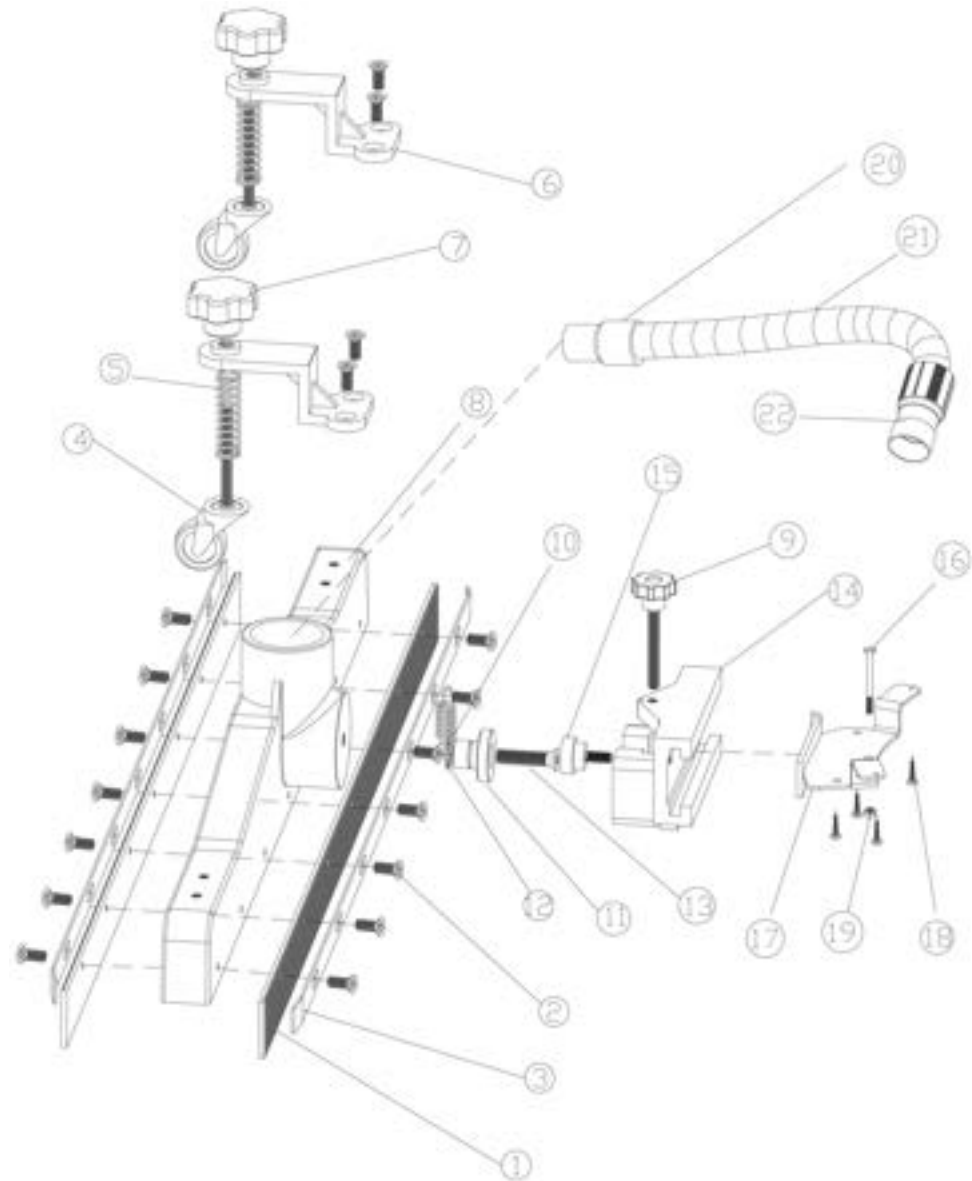
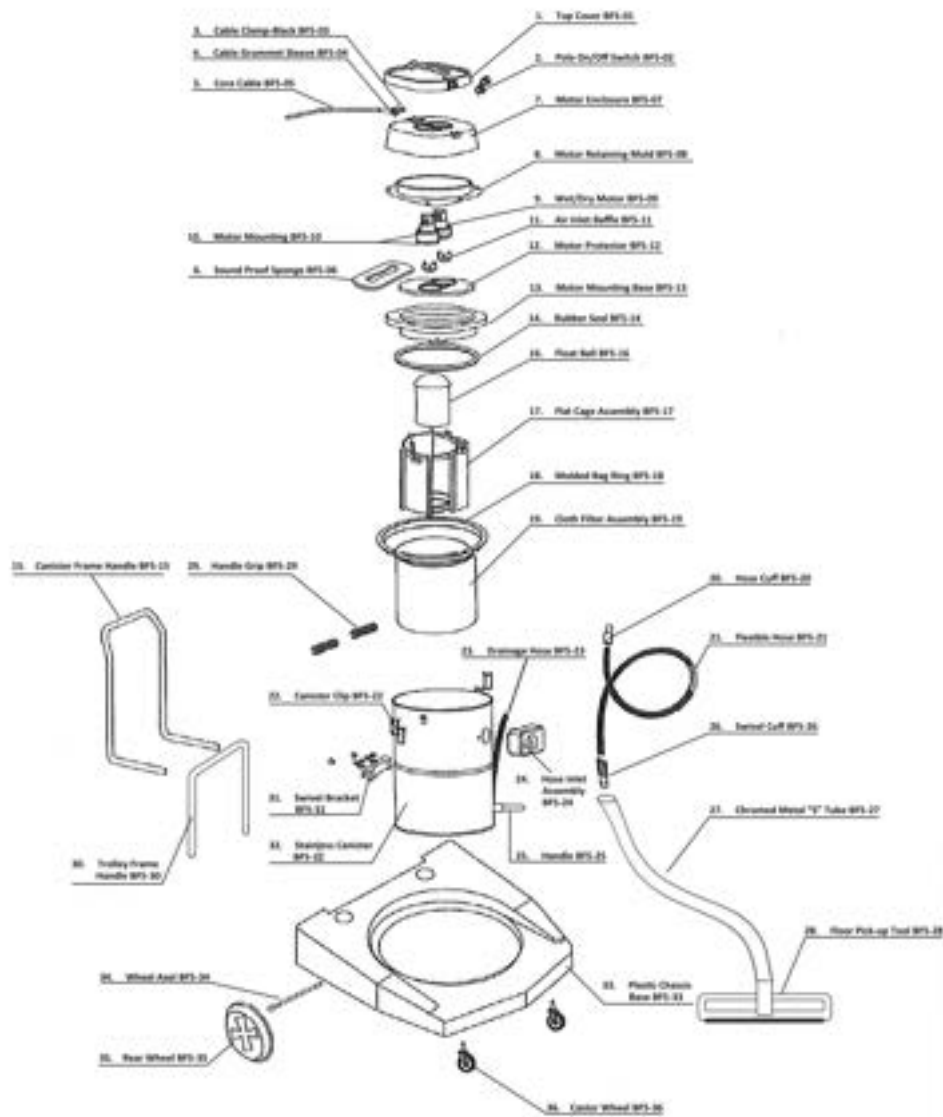


Figure 2

## 6.0 Schematic Drawing for Optional Squeegee



## 5.0 Machine Schematic Drawing and Parts List



## 2.2 Grounding Instruction Continued

**IMPORTANT:** This adaptor may not be used in Canada.

**IMPORTANT:** Never cut off the grounding prong for use in a 2-prong outlet. By doing so, you have cut off your protection from electrical shock.

Never assume that all 3-hole outlets are properly grounded. Check before use.

Never assume that an adaptor connection is properly grounded. Check the outlet with a ground fault interrupter device which quickly indicates if a ground is connected. Correct a faulty grounding before proceeding.

### WARNING:

Improper connection of the equipment grounding conductor can result in a risk of electric shock. Check with a qualified electrician or service person if you are in doubt as to whether the outlet is properly grounded. **DO NOT** modify the plug provided with the equipment. If it will not fit into the outlet, have a proper outlet installed by a qualified electrician.

## 3.0 Operating Tips

### 3.1 Dry Use

This vacuum comes equipped with a cloth filter assembly. The cloth filter assembly should always be used when picking up dry material and can be easily disposed of without creating a mess. Make sure the cloth filter assembly is secure inside the tank prior to use. The cloth filter assembly should be used for dry cleaning only and must be removed when being used for wet use.

The cloth filter assembly can be shaken out and cleaned by tapping gently to remove dust trapped on the outside of the filter. Also, the cloth filter assembly can be blown clean. Check the filter frequently and remove and dispose of debris when the tank is about 4/5 full. Overfilling the tank may make it difficult to remove and increases the risk of the filter breaking and contents spilling.

- Make sure that the plug is disconnected from the source of electricity.
- Remove the top of the vacuum and ensure that the cloth filter assembly is properly installed.
- Put the top of the vacuum back into its original position and secure it onto the tank, snapping down the latches on both sides.
- Insert the flexible hose into the tank of the vacuum, assemble the steel wand and connect it to the hose.
- Connect the plug to the electricity source.
- Push the switch to the on position and start cleaning.

This vacuum is equipped with multiple tools to help with various applications: scalloped bristle floor brush for carpets, tile and other flooring and a dust brush for hard to reach places like base boards and window sills, inside cars, furniture, etc.

### 3.2 To Store your Machine after Dry Use

- Turn off the machine by pushing the switch to the off position.
- Disconnect the plug from the source of electricity.
- Remove the cloth filter and dispose of debris.
- Wipe down machine with damp cloth.
- Report problems and repair promptly.

### 3.3 Wet Use

- Make sure that the plug is disconnected from the source of electricity.
- Remove the top of the vacuum and remove the cloth filter assembly.
- Make sure that the tank does NOT contain dust.
- Put the top of the vacuum back into its original position and secure it onto the tank, snapping down the latches on both sides.
- Connect the plug to the source of electricity. Turn the machine on by pushing the switch to the on position.
- Use the squeegee tool included with the vacuum for wet clean up.

**ATTENTION:** This vacuum is equipped with a ball float shut-off. When the maximum level of fluid has been reached, there will be a significant change in sound and airflow through the hose will decrease. This feature provides protection to the vacuum motor by shutting down airflow before motor damage occurs.

Failure to use the defoamer in the solution tank will void warranty. Failure to stop when tank is full will void warranty.

### 3.4 To Store your Machine after Wet Use

- Turn off the machine by pushing the switch to the off position.
- Disconnect the plug from the source of electricity.
- Dispose of all liquid from tank by unclipping the disposal hose. Simply remove the end cap from the hose and slowly lower the drain hose to release the contents into a suitable drain. Replace end cap and clip hose back to machine.
- Wipe down machine with damp cloth.
- Report problems and repair promptly.

## 4.0 Problem Solving

Never operate this Wet/Dry Vac when it is not performing as expected or when any part is visibly damaged. When repair is needed, take the equipment to an authorized service center. Always disconnect power cord before servicing vacuum.

Problem	Possible Cause	Remedy
Loss of Vacuum	<ol style="list-style-type: none"> <li>1. Cloth Filter Assembly Dirty</li> <li>2. Clogged Hose or Wand</li> <li>3. Tank Rim Damaged</li> <li>4. Loose or Broken Fan</li> <li>5. Motor Not Working</li> <li>6. Float Not Functioning</li> <li>7. Rubber Seal is Worn</li> </ol>	<ol style="list-style-type: none"> <li>1. Clean Cloth Filter Assembly</li> <li>2. Remove Obstructions</li> <li>3. Replace Tank</li> <li>4. Contact Manufacturer or Authorized Service Center</li> <li>5. Contact Manufacturer or Authorized Service Center</li> <li>6. Ensure Ball Float is Moving Freely or Empty Tank</li> <li>7. Replace Rubber Seal</li> </ol>
Motor is not Running, Machine will not Work	<ol style="list-style-type: none"> <li>1. Broken Switch</li> <li>2. Power Cord Defective</li> <li>3. Motor Defective</li> <li>4. Blown Fuse or Tripped Circuit Breaker</li> <li>5. Tank Full with Liquid</li> </ol>	<ol style="list-style-type: none"> <li>1. Make sure Switch is in the Correct Position, Contact Manufacturer or Authorized Service Center if it Needs Replaced</li> <li>2. Check to Ensure Plugged in, Contact Manufacturer or Authorized Service Center if Cord is Broken</li> <li>3. Contact Manufacturer or Authorized Service Center</li> <li>4. Replace Fuse or Reset Circuit Breaker</li> <li>5. Empty the Tank</li> </ol>
Dust Blowing from Vacuum when Running	<ol style="list-style-type: none"> <li>1. Full Tank</li> <li>2. Cloth Filter Assembly Installed Incorrectly</li> <li>3. Cloth Filter Assembly Dirty</li> <li>4. Cloth Filter Assembly Torn</li> </ol>	<ol style="list-style-type: none"> <li>1. Empty Tank</li> <li>2. Reinstall Properly or Replace</li> <li>3. Clean Cloth Filter or Replace</li> <li>4. Replace Cloth Filter Assembly</li> </ol>
Water Blowing from Vacuum when Running	<ol style="list-style-type: none"> <li>1. Tank is Full of Liquid</li> <li>2. Sudsy or Foamy Liquid is being Picked Up</li> </ol>	<ol style="list-style-type: none"> <li>1. Empty Tank</li> <li>2. Add Defoamer to Tank</li> </ol>
Machine does not have Suction	<ol style="list-style-type: none"> <li>1. Full Tank</li> <li>2. Clogged Filter</li> <li>3. Suction Hose Obstructed</li> <li>4. Tank Entry Obstructed</li> </ol>	<ol style="list-style-type: none"> <li>1. Empty Tank</li> <li>2. Clean Filter</li> <li>3. Turn Off Vacuum and Remove Obstruction</li> <li>4. Turn Off Vacuum and Remove Obstruction</li> </ol>

If the malfunction is not caused by any of these points, visit the nearest authorized service center for an examination of the vacuum cleaner. The motor is built for maintenance-free operation and does not need any particular service. The carbon brushes may need to be replaced due to normal wear and tear caused by using the vacuum cleaner over time and must be replaced at an authorized service center. The manufacturer reserves the right to modify the machine and the included attachments without prior notice.