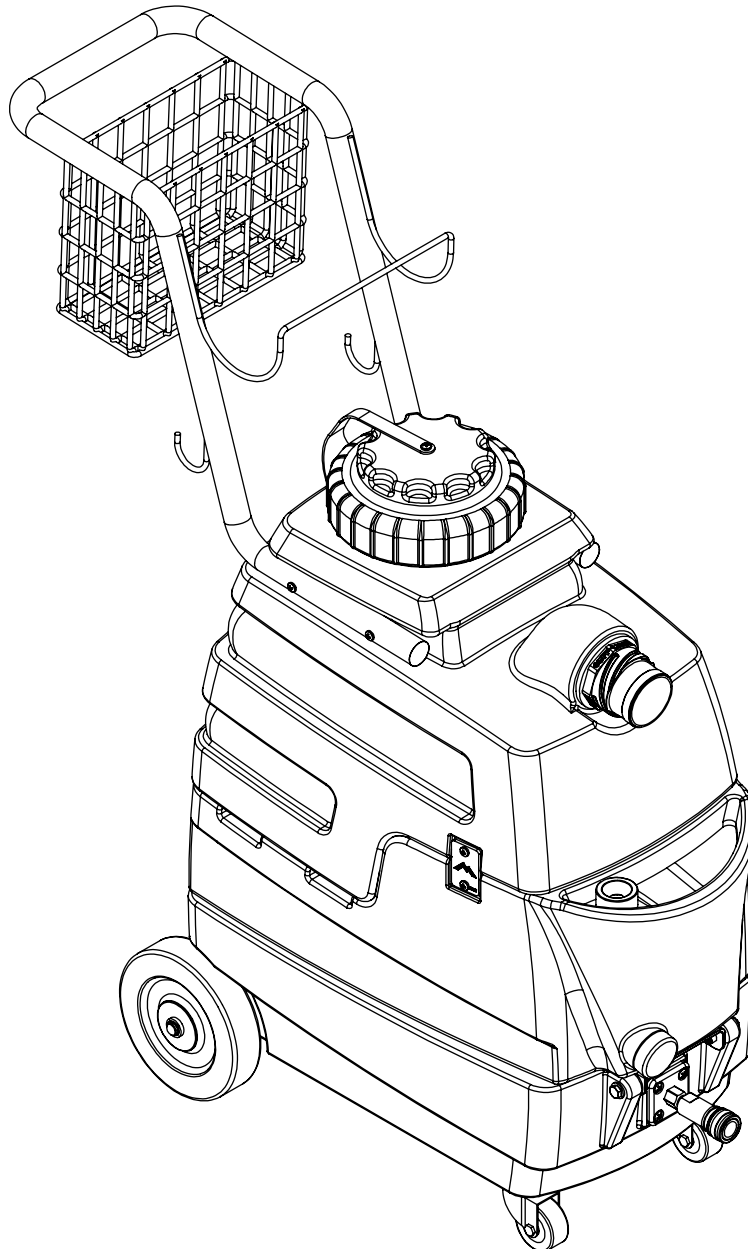




User Manual

Mytee Lite™

Model: 8070
REV: 1/17/22



13655 Stowe Dr. Poway, CA 92064
P: (858) 679-1191
F: (858) 726-6005
www.mytee.com

Introduction

Dear Customer:

Congratulations on the purchase of your new Mytee Lite™ Carpet & Upholstery Spotter.

As technology continues to develop you can work confidently knowing that both Mytee and its employees are equally dedicated to developing with the industry and its advances.

Like any other piece of machinery or technology, the Mytee Lite™ also requires the proper maintenance and care to keep the product working over extended use. Neglecting your machine, abusing it or not operating it properly can void its warranty and prevent the machine from performing to the quality and standard you'd expect out of the Mytee line.

If you have any warranty concerns or questions, please review this manual thoroughly or do not hesitate to contact your distributor. If there are questions regarding maintenance, replacement, or ordering parts please contact an authorized Mytee Service Center. Visit www.mytee.com/support/find-distributors to find your nearest Service Center.

Before using your Mytee product, please read this manual thoroughly.

Sincerely,

Mytee Customer Care Dept.

	Important Safety Information	4
1	At a Glance	6
	1.1 - Technical Specifications	6
	1.2 - Included with the Mytee Lite™	6
	1.3 - Mytee Lite™ Front View	7
	1.4 - Mytee Lite™ Rear View	8
	1.5 - Switch Plate	9
2	Machine Operation	10
	2.1 - Powering the Mytee Lite™	10
	2.2 - Connecting Hoses & Cleaning Tools	10
	2.3 - Filling the Solution Tank	10
	2.4 - Operating the Mytee Lite™	10
	2.5 - Emptying the Solution & Recovery Tanks	11
3	Machine Maintenance	12
	3.1 - Filter Maintenance	12
	3.2 - System Maintainer	12
4	Available Accessories	13
5	Troubleshooting	14

Important Safety Information

Grounding Instructions

This machine must be grounded. If it should malfunction or breakdown, grounding provides a path of least resistance for electrical shock. This machine is equipped with a cord having an equipment-grounding conductor and grounding plug. The plug must be plugged into an appropriate outlet that is properly installed in accordance with all local code and ordinances. Do not remove ground pin; if missing, replace plug before use.



Improper installation of the equipment-grounding conductor can result in a risk of electric shock. Be sure to check with a qualified electrician or service person if you are in doubt as to whether the outlet is properly grounded. If the plug will not fit in the outlet do not modify either the plug nor the machine's cord, instead have a proper outlet installed by a qualified technician.

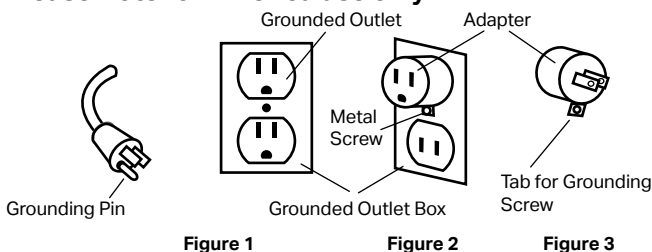
This machine is for use on a nominal 120-volt circuit and with a grounding plug similar to the one in Figure 1 below. If a proper outlet is not available, follow the illustrations of Figure 2 & 3 to install a temporary-grounding plug. This temporary work-around should be used only until a proper outlet (Figure 1) can be installed by a qualified electrician. When and if this type of adapter is employed, screw the adapter's extended tab into place with a metal screw. However, grounding adapters are not approved for use in Canada.

Again, be sure to check the grounding pin for damages and replace if necessary.

The Green, or Green-Yellow, wire in the cord is the grounding wire. When replacing a plug, this wire must be attached to only the grounding pin.

DO NOT use extension cords.

Please Note for America use only.



Parts and Service

Please contact a Mytee service personnel or Mytee authorized Service Center using Mytee original replacement parts and accessories for repairs are needing to be performed. When and if calling Mytee for support, please have your Model and Serial Number available for faster assistance.

Name Plate

The Model and Serial Number are located on the lower half of the back of the machine near the power plugs and will be required for ordering replacement parts. You can use the space provided on the front of this manual to note down both for future referencing.

Unpacking the Machine

When your new machine is delivered, please carefully inspect both the shipping carton and the machine for damages. If damage is evident, save both the shipping carton and machine so that the delivering carrier can inspect it. Contact the carrier immediately to file a freight claim if there has been any damage.

Caution and Warnings

Symbols

Mytee uses the symbols below to signal potentially dangerous conditions. Always read this information carefully and take the necessary steps to protect personnel and property.



Is used to warn of immediate hazards that will cause severe personal injury or death.



Is used to call attention to a situation that could cause severe personal injury.



Is used to call attention to a situation that could cause minor personal injury or damage to the machine or other property. When using an electrical appliance, basic precautions should always be followed, including the follow-

Important Safety Information

ing: Read all instructions before using this machine. This product is intended for commercial use only.

To reduce the risk of fire, electrical shock, or injury:

1. Read all instructions before using equipment.
2. Use only as described in this manual. Use only manufacturer's recommended attachments.
3. Always unplug power cord from electrical outlet before attempting any adjustments or repairs.
4. Do not unplug by pulling on cord. To unplug, grasp the plug, not the cord.
5. Do not pull or carry by cord. Do not close a door on cord or pull cord around sharp edges or corners.
6. Do not run appliance over cord. Keep cord away from heated surfaces.
7. Do not use with damaged cord or plug. If cord is damaged, repair immediately.
8. Do not use outdoors or on wet surfaces and/or standing water.
9. Always unplug or disconnect from power supply when not in use.
10. Do not allow to be used as a toy. Close attention is necessary when used by or near children.
11. Do not use in areas where flammable or combustible material may be present.
12. Do not leave the unit exposed to harsh weather elements. Temperatures below freezing may damage components and void warranty.
13. Use only the appropriate handles to move and lift unit. Do not use any other parts of this machine for this purpose.
14. Do not pull on hoses in order to move the unit. Only use the appropriate handles.
15. Keep hair, loose clothing, fingers, and all parts of the body away from all openings and moving parts.
16. Use extra care when using on stairs.
17. To reduce the risk of fire or electric shock, do not use this machine with a solid-state speed control device.

18. The voltage and frequency indicated on the name plate must correspond to the wall receptacle supply voltage.

19. When cleaning and servicing the machine, local or national regulations may apply to the safe disposal of liquids which may contain: chemicals, grease, oil, acid, alkalies, or other dangerous liquids.

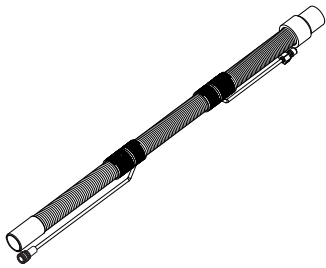
20. Do not leave operating unattended.

1 - At a Glance

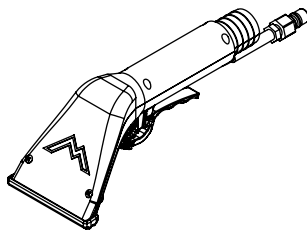
1.1 - Technical Specifications

Solution Tank	4 Gallons
Recovery Tank	4 Gallons
Vacuum	Single 3-Stage
CFM	100
Water Lift	130"
Pump PSI	120
Pump GPM	1.3
Heater	1,000 watt, 210°F max.
Power Consumption	19 amps @ 115V
Machine Weight	48 lbs.
Machine Dimensions	With handle: 33" x 12" x 36.5" Without handle: 18" x 12" x 28.5"
Power Cord	Single 25' 12/3

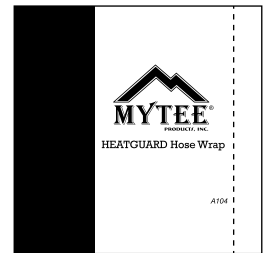
1.2 - Included with the Mytee Lite™



8501 15' x 1.25" Vacuum & Solution Hose



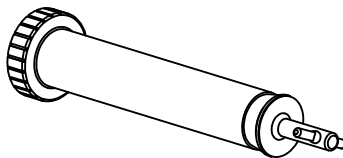
8400P 4" Air Lite™ Upholstery Tool



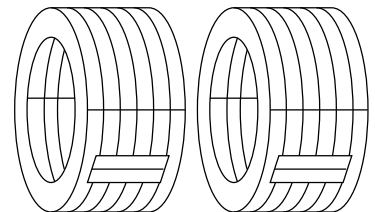
Heatguard™ Hose Wrap



Easy-Push Handle

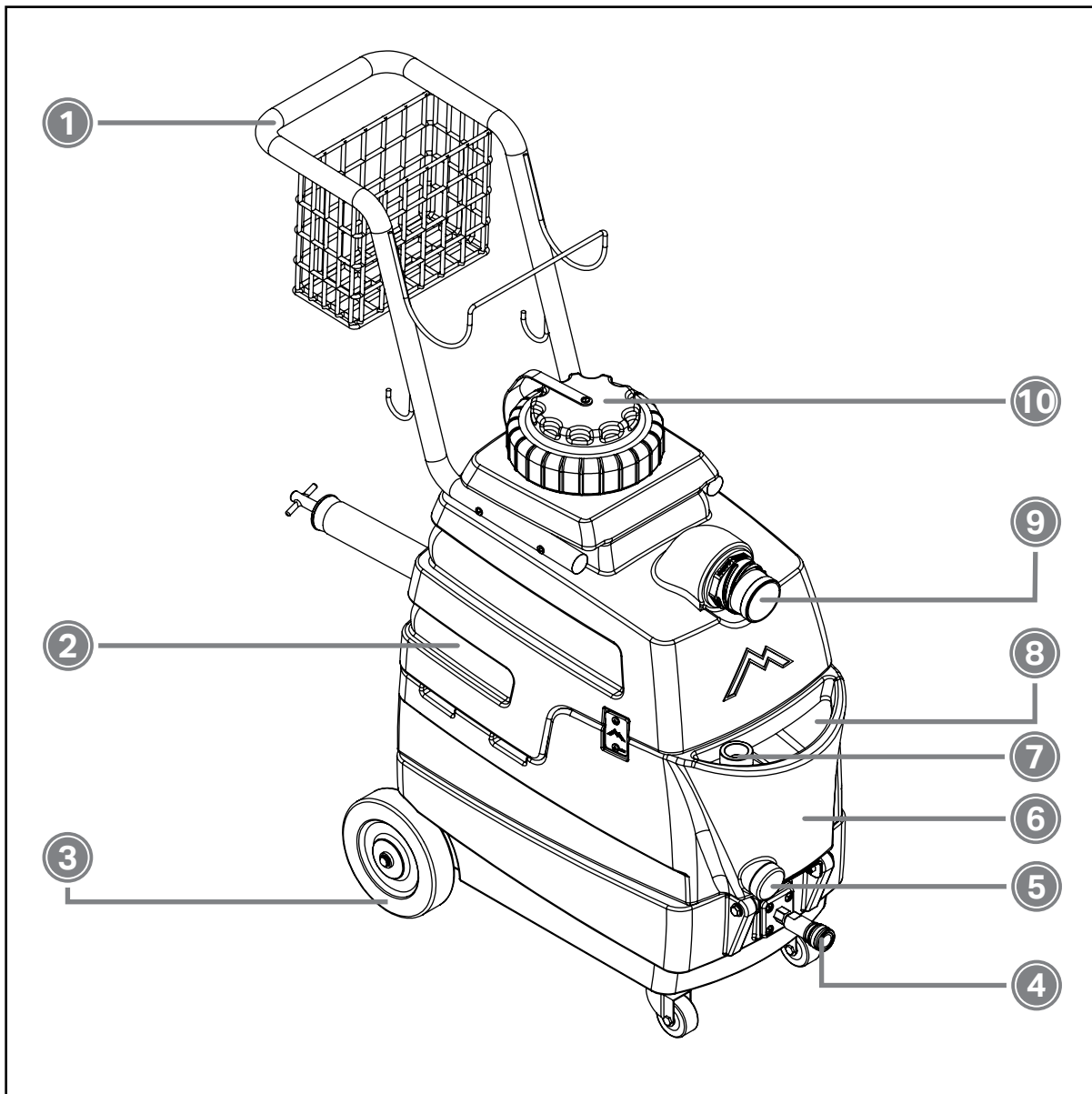


A110 Drain Hose



P590 Cuties™ Pack of 2 QD Safety Covers (included w/ 8070)

1.3 - Mytee Lite™ Front View

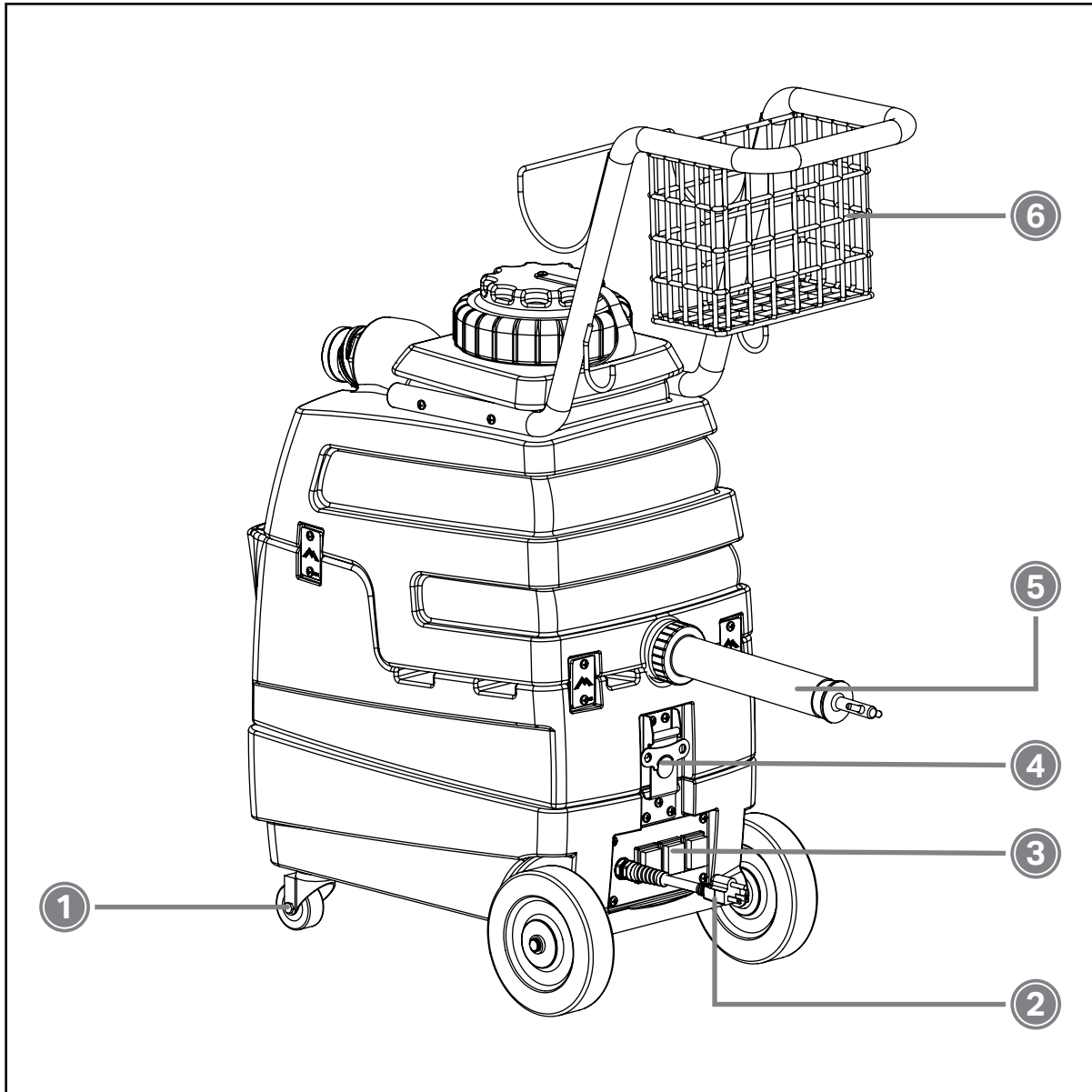


1. Easy-Push Handle
2. Recovery Tank
3. 10" Wheels
4. Quick Disconnect
5. Solution Tank Drain

6. Solution Tank
7. Faucet Fill Hose
8. Bucket Fill Opening
9. Cuff-Lynx™ Hose Connection
10. Recovery Tank Lid

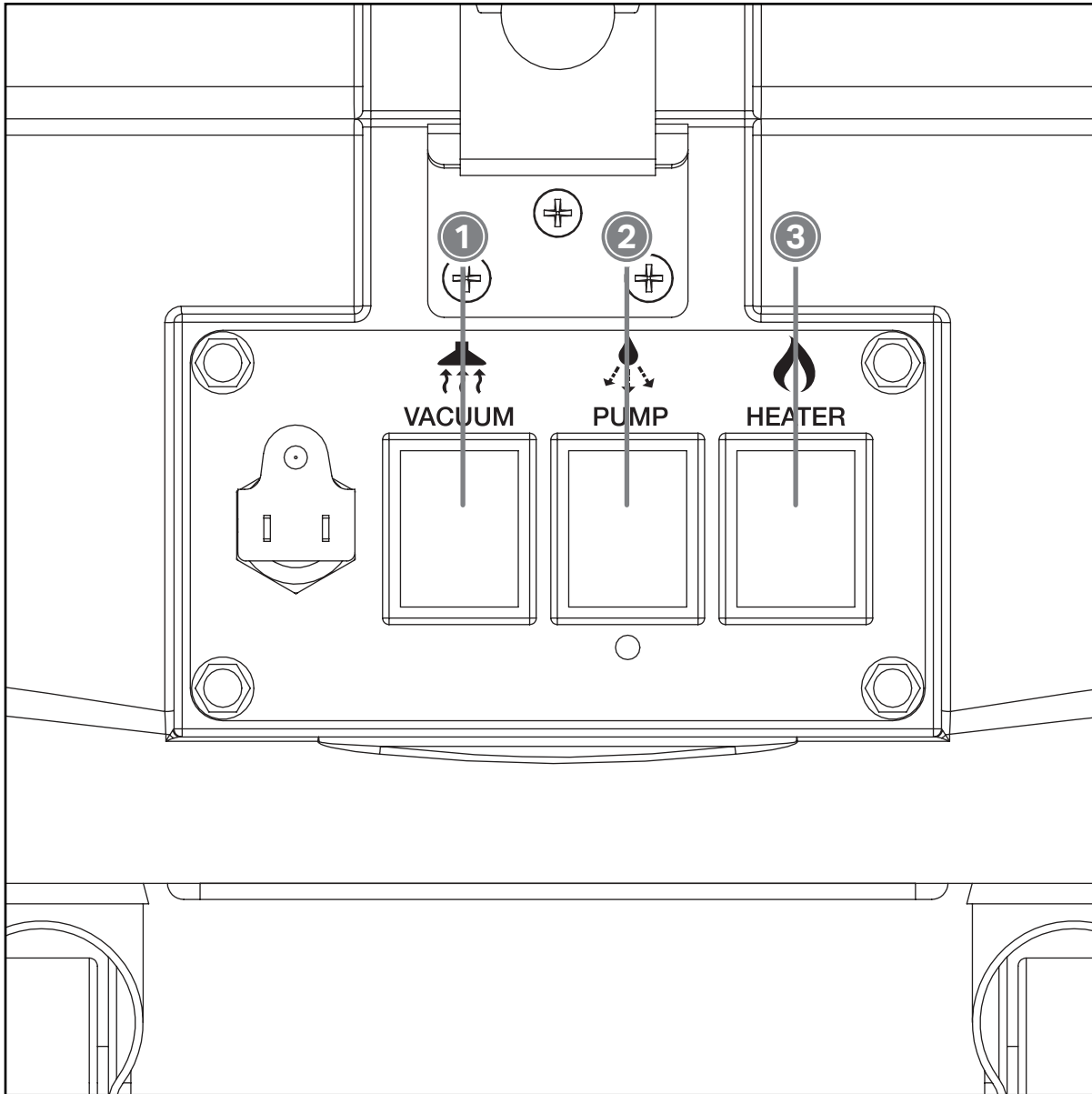
1 - At a Glance

1.4 - Mytee Lite™ Rear View



1. 3" Locking Front Casters
2. 25' 12/3 Power Cord
3. Switch Plate
4. Opening Latch
5. Recovery Tank Drain Hose
6. Storage Basket

1.5 - Switch Plate



1. Vacuum Switch

Activates the vacuum motor.

2. Pump Switch

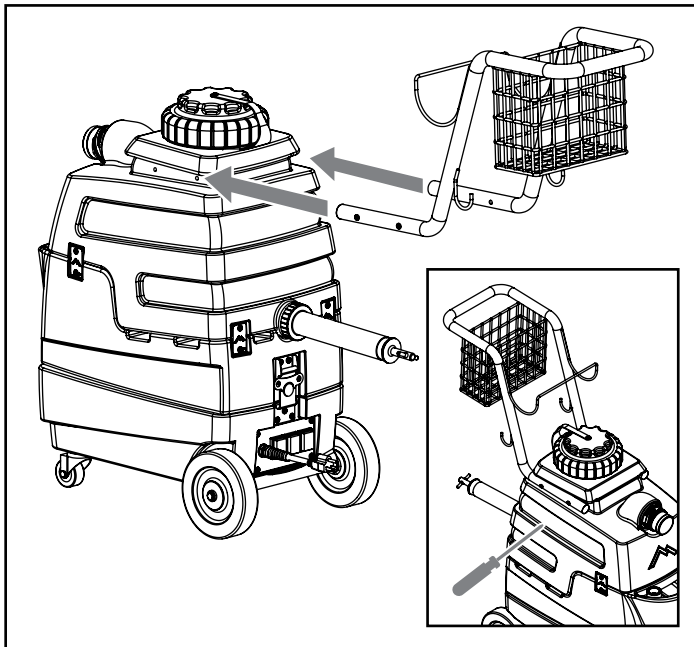
Activates the solution pump.

3. Heater Switch

Activates the heater.

2 - Machine Operation

2.1 - Installing the Handle



Slide the handle into position and line up the holes with the threaded inserts on the machine. Thread screws into the front two holes by hand first, and then the back two. Tighten all the screws in an X pattern with a screwdriver. ♦

2.1 - Powering the Mytee Lite™

To power the machine, plug the power cord into a grounded 20 amp outlet. ♦

2.2 - Connecting Hoses & Cleaning Tools



Do not operate machine with a spray nozzle orifice smaller than #2. This can damage the pump switch.

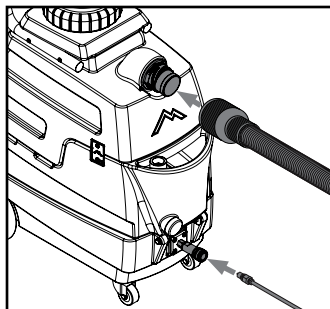


Do not pull on hoses in order to move the unit. Use only the appropriate handles.

Vacuum & Solution Hoses

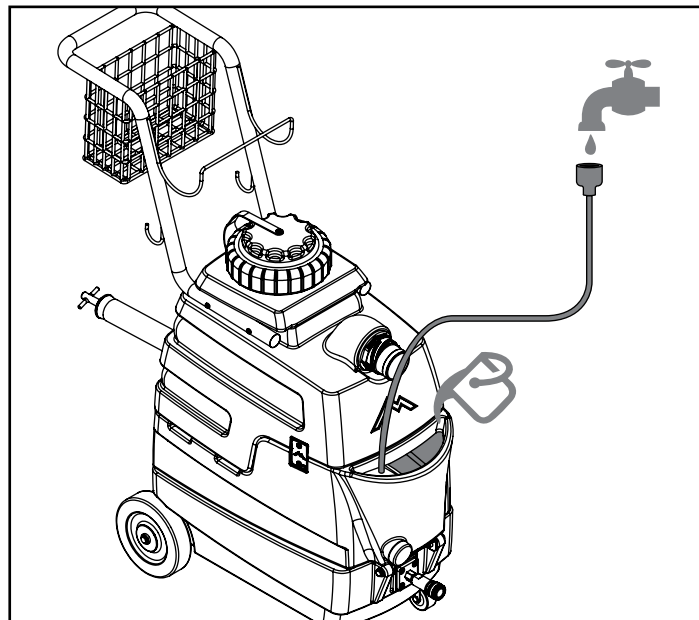
Connect the vacuum hose to the Cuff-Lynx hose connection on the vacuum tank. Twist clockwise to lock into place.

Connect the solution hose to the brass quick connect



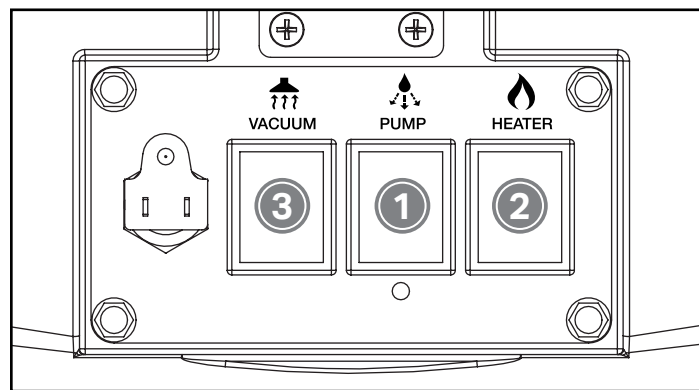
fitting on the base of the machine. To connect, pull back the flange on the female fitting from the hose and slide onto the male fitting on the machine. Release to lock fittings together. ♦

2.3 - Filling the Solution Tank



The solution tank can be filled up via the faucet fill hose or from a bucket via the opening. ♦

2.4 - Operating the Mytee Lite™



Switching On The Unit

In order to avoid vapor locking the unit, use the following procedure to switch on the components:

1. Turn pump switch on.
2. Pull the lever on the cleaning tool to release air in the line. Hold lever until a steady flow of water comes out of the wand.

2 - Machine Operation

3. Once pump is primed and there is pressure in the solution line, turn on heater switch and wait a few minutes for water to heat up.

4. Once water is heated, turn on vacuum and begin cleaning.

Note: When cleaning upholstery, always check manufacturer's cleaning instructions.



CAUTION

Use only low foam or non foaming detergent or shampoo. Damage due to excessive foam will void warranty.



CAUTION

Empty the vacuum tank any time you refill the solution tank in order to prevent vacuum tank overflowing.

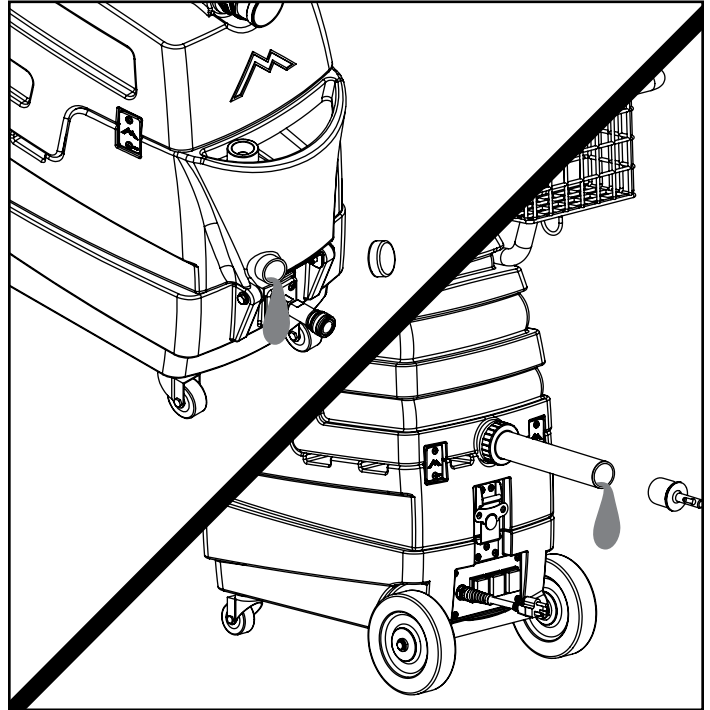
Cleaning Procedure

For best results when extracting, do one wet pass followed by two dry passes. This ensures you're not over-soaking the material and keeps water temperature higher.

The solution pump will only turn on when there is a pressure demand (e.g., while spraying with cleaning tool, or right at startup). If the pump is continuously running or pulsing, it **does not** necessarily mean that it is defective.

If the pump is not producing the correct pressure and flow, see the Troubleshooting section of this manual. ♦

2.5 - Emptying the Solution & Recovery Tanks



The solution tank drain is located on the front, lower left corner of the solution tank.

The recovery tank drain is located on the back of the machine at the bottom of the recovery tank. Attach the included recovery tank drain hose in order to easily empty into a bucket or other receptacle. ♦

3 - Machine Maintenance

In order to keep the Mytee Lite™ running smoothly and reduce the risk of damage to the machine and subsequent downtime, Mytee recommends following the maintenance schedule below:


Maintenance Item	Daily	Weekly
Clean and inspect tanks.	X	
Clean and inspect hoses.	X	
Check and clean internal filters.	X	
Check power supply cable.	X	
Clean machine with all-purpose cleaner and cloth.	X	
Check spray nozzles.	X	
Flush solution system with Mytee System Maintainer.		X
Inspect vacuum hoses for holes and loose cuffs.		X
Inspect spray pattern for clogging. If clogged, remove spray tips and soak them in a recommended liquid neutralizer for up to six hours. To remove spray tip, twist spray tip body counter-clockwise.		X
Lubricate wheels with water resistant oil.		X
Inspect machine for water leaks and loose hardware.		X

3. Turn on the Extractor's pump and run the System Maintainer solution through the system and into a bucket or receptacle until you have a solid stream.

4. Let sit for about 5 minutes while the System Maintainer solution does its job inside your Extractor.

5. Finish running the rest of the solution through the system.

6. Run clean water through the system to flush out any remaining System Maintainer. ♦

 Do not tamper with the set screw on the pump pressure switch. This can damage the pressure switch.

3.1 - Filter Maintenance

The Mytee Lite™ has a small filter on the top of the vacuum stack in the recovery tank. This filter should be checked and cleaned after each use. ♦

3.2 - System Maintainer

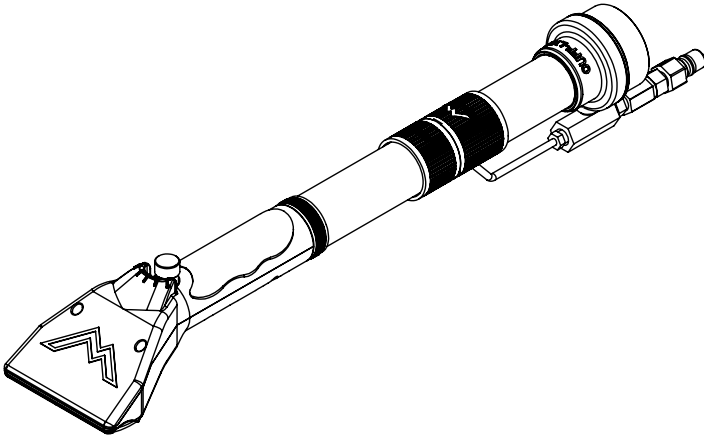
Regular flushing of the solution system with Mytee System Maintainer keeps your extractor running efficiently by removing hard water scaling that builds up in the system.

How to use System Maintainer:

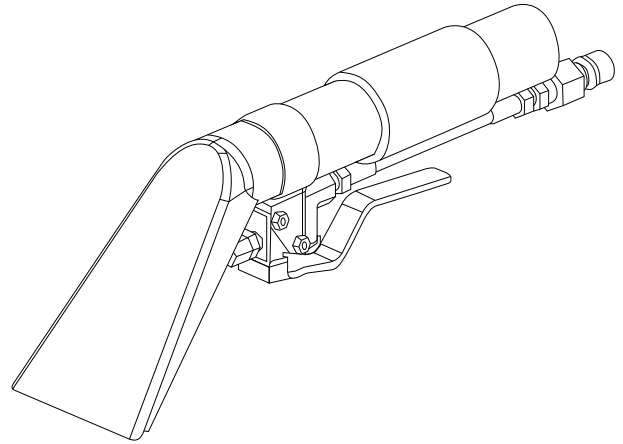
1. Thoroughly mix System Maintainer with warm water at a 1:1 ratio in a separate container. Pour into your Extractor's solution tank.

2. Connect a cleaning tool (upholstery tool, wand, etc.) and remove the jet(s) in order to prevent clogging from dislodged mineral build-up.

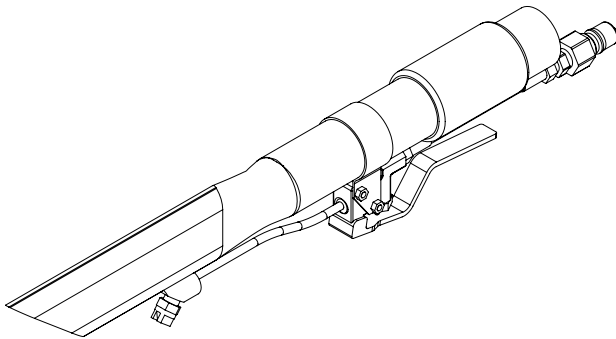
4 - Available Accessories



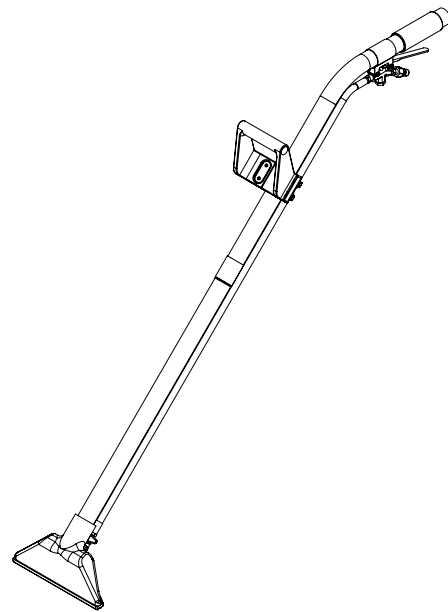
8400M Mytee Dry™ Upholstery Tool



8400 4" Stainless Steel Upholstery Tool



8700 Crevice Tool



8390EZ 10" Single Jet Carpet Cleaning Wand

5 - Troubleshooting

Issue	Possible Cause	Solution
Machine is not turning on.	Power cord unplugged.	Plug the power cord into a grounded 20 amp outlet.
	Circuit breaker tripped in building.	Reset breaker in building.
	Faulty switch or power cord.	Contact a Mytee Service Center.
Poor solution flow.	Jet is clogged.	Unclog the jet by removing and soaking in a vinegar and water solution. Scrub with a soft brush. Repeat if necessary.
	Blockage or clog in solution line.	Run System Maintainer through machine.
Pump continuously runs/pulses without producing correct pressure/flow.	Leak in solution line between pump and cleaning tool.	Find leak and repair or replace hose if necessary.
	Pump switch failure. This can be caused by various issues: <ul style="list-style-type: none"> • Nozzle tip clogged or too small, causing rapid switch cycling. • Check valve failure between pump and heater causing hot water to return to pump and damage switch. • Pump inlet port is cracked causing pump to suck in air. • Damaged pump switch housing. 	Contact a Mytee Service Center.
Water is not pumping out of machine.	Vapor lock from turning on heater before pump.	Turn off the heater and allow the machine to cool completely. After machine has cooled, follow the machine startup procedure in section 2.4 of this manual.
Vacuum/pump/heater not turning on.	Bad power switch.	Check power switch by transferring wires from the switch in question to another switch. See if that switch turns on the component in question. Replace switch if necessary.
Vacuum not producing suction.	Vacuum tank is full.	Empty vacuum tank.
	Vacuum hose blockage.	Check for blockages in vacuum hoses inside and outside machine.
Blows water out exhaust.	Foam building up inside vacuum tank.	Use a defoaming solution in vacuum tank or use low foam or non foaming detergent/shampoo.
Water is not getting hot.	Automatic (black) sensor failure causing manual (white) sensor to trip.	Reset the manual (white) sensor by pressing the small button on it. If the manual sensor continues to trip, replace the automatic (black) sensor (part no. E573).

NOTES



Mytee, LLC
13655 Stowe Dr.
Poway, CA 92064

www.mytee.com

© 2022 Mytee, LLC
Printed in the USA