

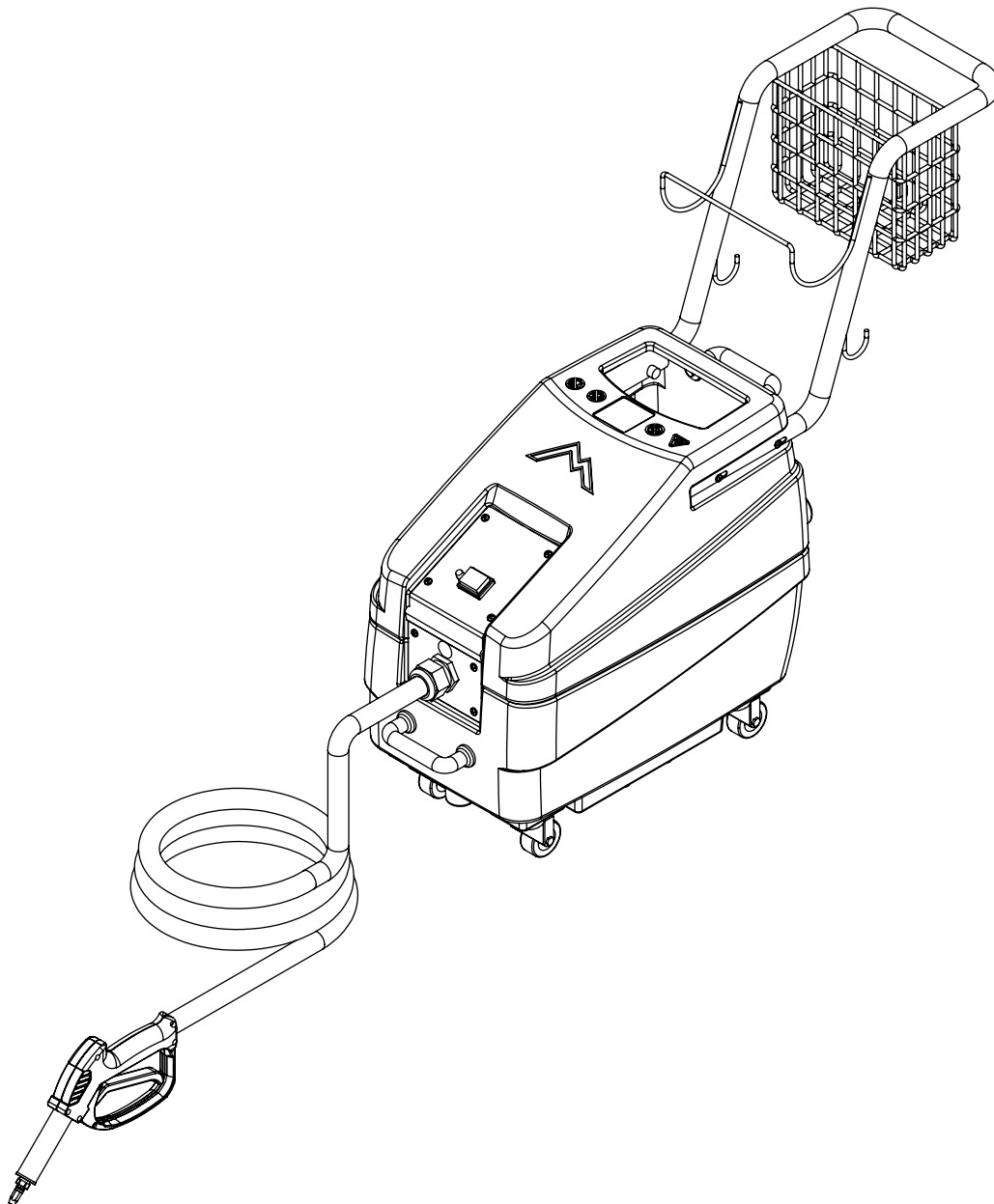


User Manual

# Focus™

Model:  
1600

REV. 3/9/22



13655 Stowe Dr. Poway, CA 92064  
P: (858) 679-1191  
F: (858) 726-6005  
[www.mytee.com](http://www.mytee.com)

# Introduction

---

***Dear Customer:***

Congratulations on the purchase of your new Focus™ Vapor Steamer. As technology continues to develop you can work confidently knowing that both Mytee and its employees are equally dedicated to developing with the industry and its advances.

Like any other piece of machinery or technology, the Focus™ also requires proper maintenance and care to keep the product working over extended use. Neglecting your machine, abusing it or not operating it properly can void its warranty and prevent the machine from performing to the quality and standard you'd expect out of the Mytee line.

If you have any warranty concerns or questions, please review this manual thoroughly or do not hesitate to contact your distributor. If there are questions regarding maintenance, replacement, or ordering parts please contact an authorized Mytee Service Center. To see an updated list please visit our website at <http://www.mytee.com/support/service-centers>.

Before using your Mytee product, please read this manual thoroughly.

*Sincerely,  
Mytee Customer Care Dept.*

	<b>Important Safety Information</b> .....	<b>4</b>
<b>1</b>	<b>At a Glance</b> .....	<b>6</b>
	1.1 - Technical Specifications .....	<b>6</b>
	1.2 - Included with the Focus™ .....	<b>6</b>
	1.3 - Focus™ Front View .....	<b>7</b>
	1.4 - Focus™ Rear View .....	<b>8</b>
<b>2</b>	<b>Machine Operation</b> .....	<b>9</b>
	2.1 - Powering the Focus™ .....	<b>9</b>
	2.2 - Filling the Water Tank .....	<b>9</b>
	2.3 - Using Attachments .....	<b>9</b>
	2.4 - Operating the Focus™ .....	<b>9</b>
	2.5 - Storage .....	<b>9</b>
<b>3</b>	<b>Machine Maintenance</b> .....	<b>10</b>

# Important Safety Information

Please read and understand this manual completely before operating this machine.

## Grounding Instructions

This machine must be grounded. If it should malfunction or break down, grounding provides a path of least resistance for electrical shock. This machine is equipped with a cord having an equipment-grounding conductor and grounding plug. The plug must be plugged into an appropriate outlet that is properly installed in accordance with all local code and ordinances. Do not remove ground pin; if missing, replace plug before use.



### DANGER

Improper installation of the equipment-grounding conductor can result in a risk of electric shock. Be sure to check with a qualified electrician or service person if you are in doubt as to whether the outlet is properly grounded. If the plug will not fit in the outlet do not modify the plug or the machine's cord, instead have a proper outlet installed by a qualified technician.

This machine is for use on a nominal 120-volt circuit and with a grounding plug similar to the one in Figure 1 below. If a proper outlet is not available, follow the illustrations of Figure 2 & 3 to install a temporary-grounding plug. This temporary work-around should be used only until a proper outlet (Figure 1) can be installed by a qualified electrician. When and if this type of adapter is employed, screw the adapter's extended tab into place with a metal screw. However, grounding adapters are not approved for use in Canada.

Again, be sure to check the grounding pin for damages and replace if necessary.

The Green, or Green-Yellow, wire in the cord is the grounding wire. When replacing a plug, this wire must be attached to only the grounding pin.

DO NOT use extension cords.

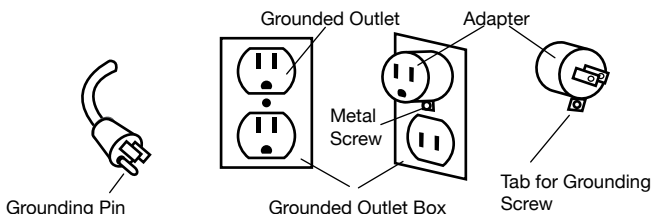


Figure 1

Figure 2

Figure 3

Please Note for America use only.

## Parts and Service

Please contact Mytee service personnel or a Mytee authorized Service Center using Mytee original replacement parts and accessories if repairs need to be performed. When and if calling Mytee for support, please have your Model and Serial Number available for faster assistance.

## Name Plate

The Model and Serial Number are located on the lower half of the back of the machine near the power plug and will be required for ordering replacement parts. You can use the space provided in this manual to note down both for future referencing.

## Unpacking the Machine

When your new machine is delivered, please carefully inspect both the shipping carton and the machine for damages. If damage is evident, save both the shipping carton and machine so that the delivering carrier can inspect it. Contact the carrier immediately to file a freight claim if there has been any damage.

## Caution and Warnings

### Symbols

Mytee uses the symbols below to signal potentially dangerous conditions. Always read this information carefully and take the necessary steps to protect personnel and property.



### DANGER

Is used to warn of immediate hazards that will cause severe personal injury or death.



### WARNING

Is used to call attention to a situation that could cause severe personal injury.



### CAUTION

Is used to call attention to a situation that could cause minor personal injury or damage to the machine or other property. When using an electrical appliance, basic precautions should always be followed, including the following: Read all instructions before using this machine. This product is intended for commercial use only.

### To reduce the risk of fire, electrical shock, or injury:

1. Read all instructions before using equipment.
2. Use only as described in this manual. Use only manufacturer's recommended attachments.

# Important Safety Information

**3. Use distilled water only. Failure to do so will result in mineral buildup and void the warranty. DO NOT use flammable liquids like gasoline, solvents or detergents in this machine.**

**4.** Always unplug power cord from electrical outlet before attempting any adjustments or repairs.

**5.** Do not unplug by pulling on cord. To unplug, grasp the plug, not the cord.

**6.** Do not pull or carry by cord. Do not close a door on cord or pull cord around sharp edges or corners.

**7.** Do not run appliance over cord. Keep cord away from heated surfaces.

**8.** Do not use with damaged cord or plug. If cord is damaged, repair immediately.

**9.** Do not use outdoors or on wet surfaces and/or standing water.

**10.** Always unplug or disconnect the appliance from power supply when not in use.

**11.** Do not allow to be used as a toy. Close attention is necessary when used by or near children.

**12.** Do not use in areas where flammable or combustible material may be present.

**13.** Do not leave the unit exposed to harsh weather elements. Temperatures below freezing may damage components and void warranty.

**14.** Use only the appropriate handles to move and lift unit. Do not use any other parts of this machine for this purpose.

**15.** Keep hair, loose clothing, fingers, and all parts of the body away from all openings and moving parts.

**16.** Use extra care when using on stairs.

**17.** To reduce the risk of fire or electric shock, do not use this machine with a solid-state speed control device.

**18.** The voltage and frequency indicated on the name plate must correspond to the wall receptacle supply voltage.

**19.** When cleaning and servicing the machine, local or

national regulations may apply to the safe disposal of liquids which may contain: chemicals, grease, oil, acid, alkalines, or other dangerous liquids.

**20.** Do not leave operating unattended.

**This unit features a drain valve for the steam kettle.**



**DO NOT attempt to open this valve while the kettle is hot. In order to avoid serious burns, allow the kettle to cool COMPLETELY before opening the valve.**

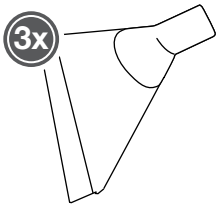


# 1 - At a Glance

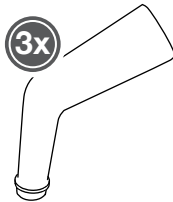
## 1.1 - Technical Specifications

<b>Solution Tank</b>	5 gallon capacity
<b>Heating Element</b>	1,750 watts
<b>Amp Draw</b>	16 amps
<b>Power Cord</b>	25' 12/3
<b>Machine Weight</b>	32 lbs.
<b>Shipping Weight</b>	50 lbs.
<b>Machine Dimensions</b>	24" x 12" x 19.5"
<b>Shipping Dimensions</b>	31" x 14" x 36"

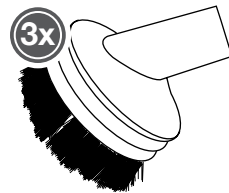
## 1.2 - Included with the Focus™



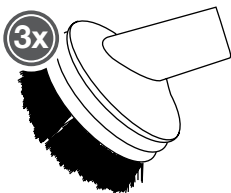
3x VS16 Gum Scraper



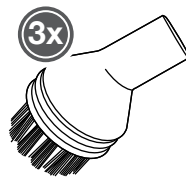
3x VS07 Jet Nozzle



3x VS15 Metal Brush

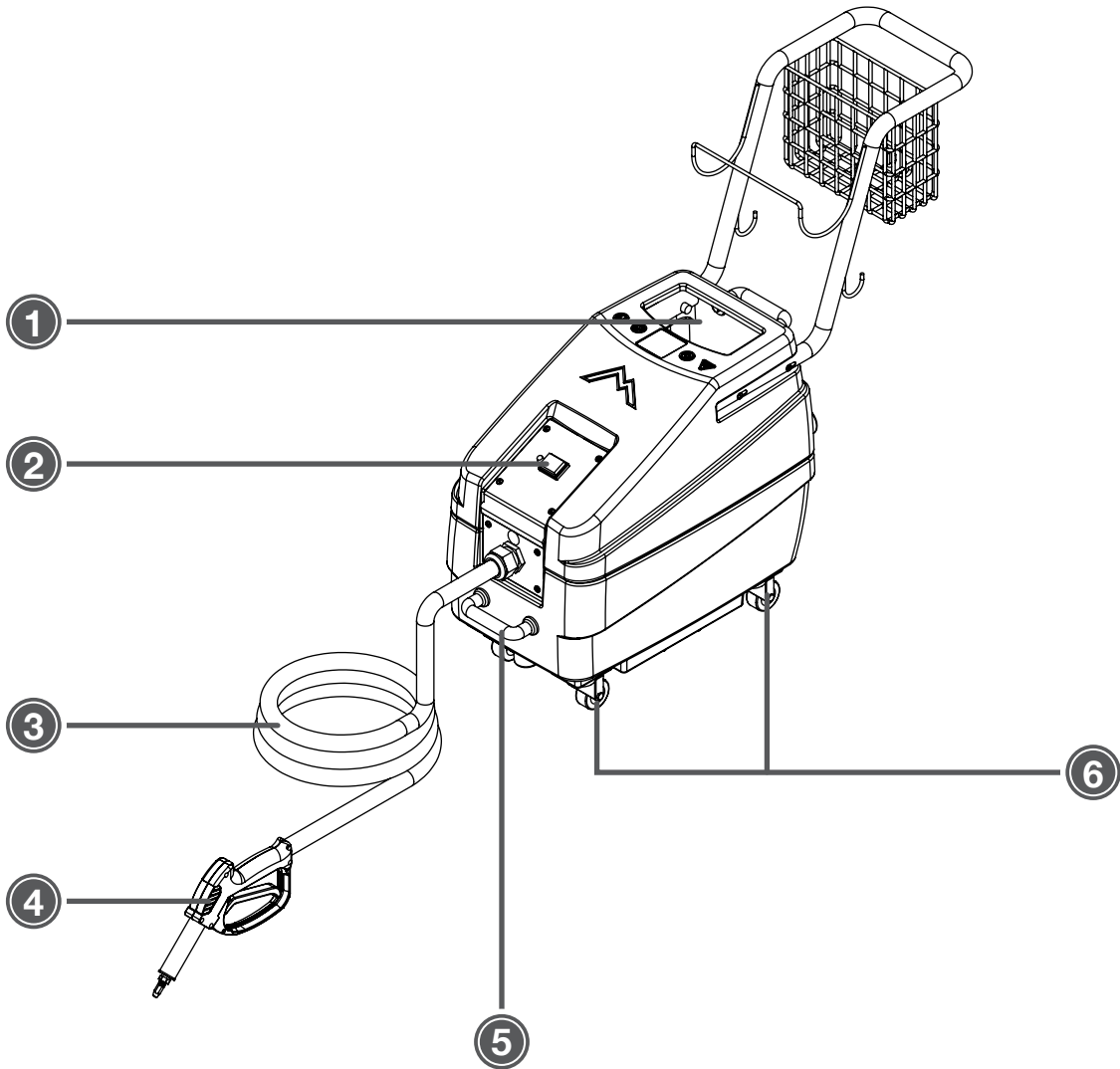


3x VS05 Large Nylon Brush



3x VS04 Small Nylon Brush

## 1.3 - Focus™ Front View



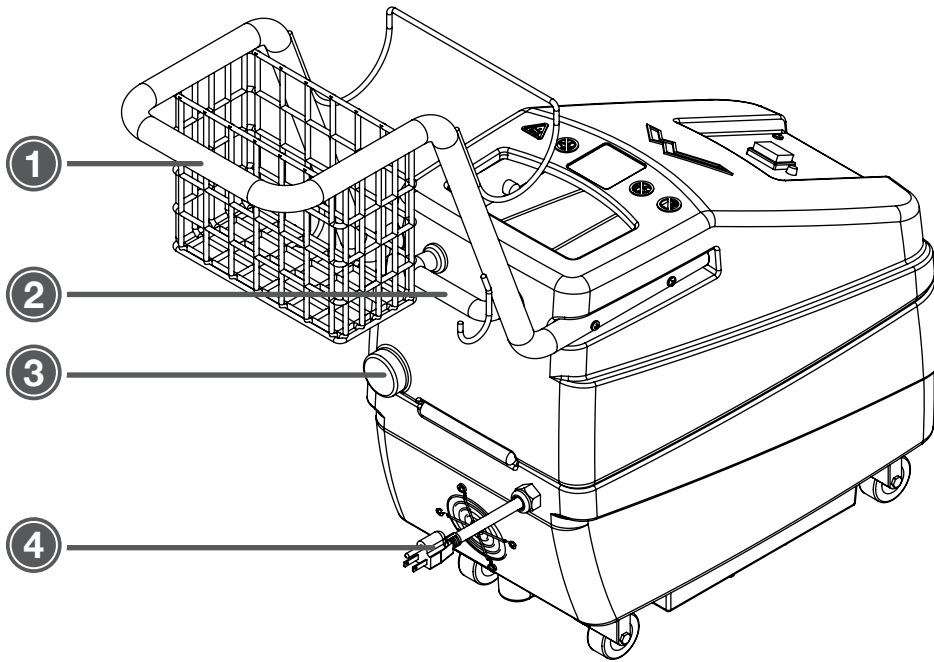
- 1. Water Tank Opening
- 2. Power Switch
- 3. 15' High Pressure Hose

- 4. Professional Steam Gun
- 5. Front Lift Handle
- 6. 2" Locking Casters

# 1 - At a Glance

---

## 1.4 - Focus™ Rear View



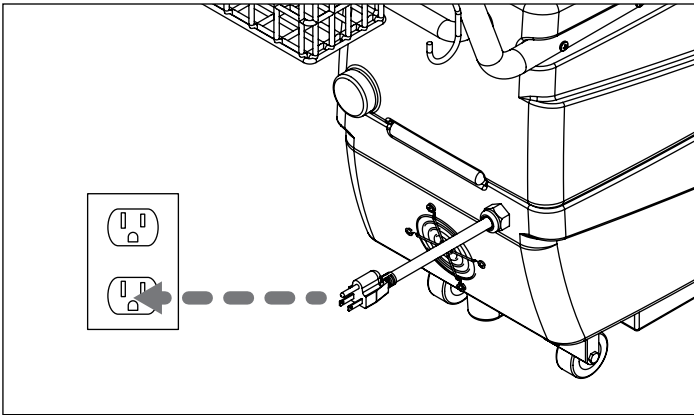
- 1. Handle With Deep Basket
- 2. Rear Lift Handle

- 3. Water Tank Drain Cap
- 4. 25' Power Cord



## 2 - Machine Operation

### 2.1 - Powering the Focus™



Plug the power cord from the Focus™ into a standard grounded wall outlet. ♦

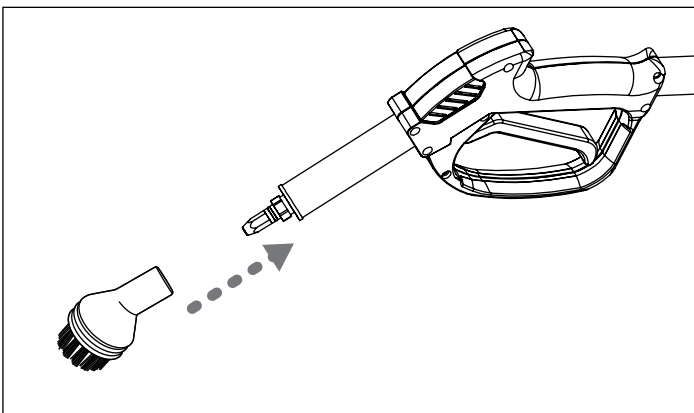
### 2.2 - Filling the Water Tank

Using a bucket or bottle, fill the 5 gallon water tank via the opening on top of the Focus™.

**NOTE: Use distilled water only. Failure to do so will result in mineral buildup and void the warranty.** ♦

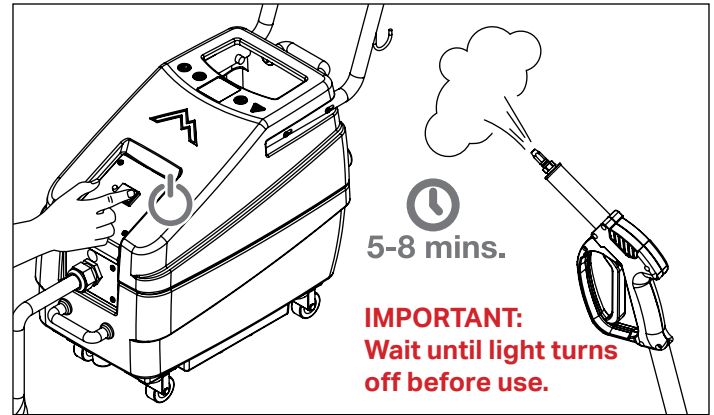


### 2.3 - Using Attachments



To connect one of the attachments to the gun, slide the attachment onto the tip of the gun until it's snug. ♦

### 2.4 - Operating the Focus™



Flip the power switch ON. The light next to the switch will light up. Wait about 5-8 minutes for steam to build up.

**Once the steam kettle is up to temperature, the light will turn off.** Squeeze the trigger on the gun until there is a steady supply of steam and begin cleaning. ♦

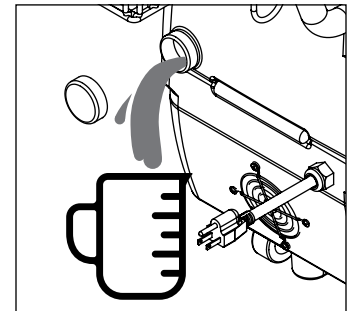
### 2.5 - Storage

After operating, flip the power switch OFF. Drain unused water from the water tank via the drain cap on the rear of the machine.

The unit also features a steam kettle drain valve on the bottom of the machine. Turn the valve one quarter turn counterclockwise to open the valve and drain any remaining water from the kettle.



**DO NOT attempt to open this valve while the kettle is hot. In order to avoid serious burns, allow the kettle to cool COMPLETELY before opening the valve.** ♦



## 3 - Machine Maintenance

---

In order to keep the Focus™ running smoothly and reduce the risk of damage to the machine and subsequent downtime, Mytee recommends following the maintenance schedule below:

<b>Maintenance Item</b>	<b>Daily</b>	<b>Weekly</b>
Check inside of water tank for debris.	X	
Check power cable.	X	
Clean machine with all-purpose cleaner and cloth.	X	
Lubricate wheels with water resistant oil.		X
Inspect machine for loose hardware.		X

# NOTES

# NOTES



**Mytee, LLC**  
13655 Stowe Dr.  
Poway, CA 92064  
[www.mytee.com](http://www.mytee.com)  
© 2022 Mytee, LLC  
Printed in the USA