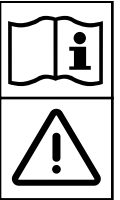
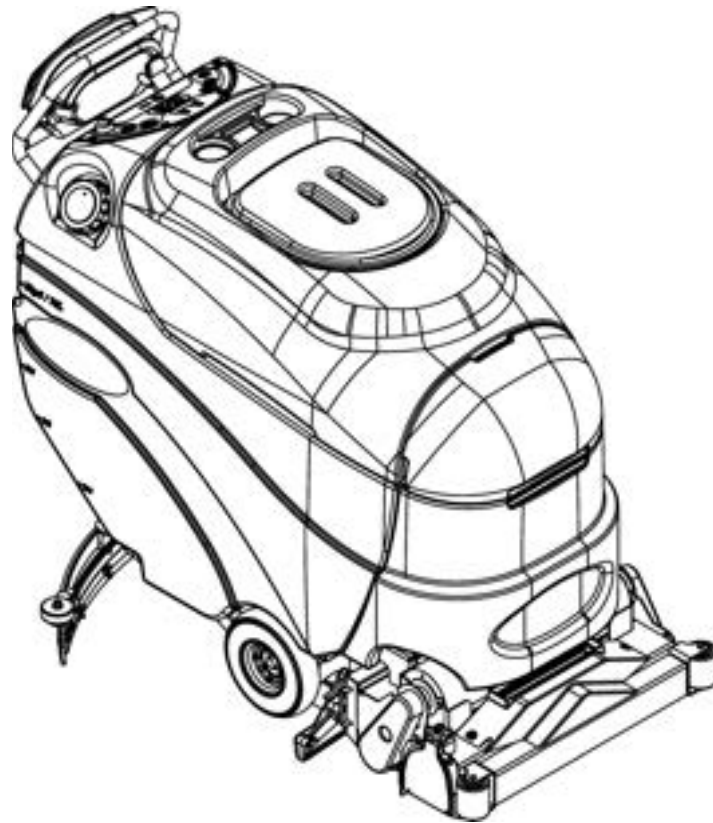


Adphibian™

AX 651 Combi EDS



Instructions for Use Instrucciones de uso

Advance Models: 56317000

Nilfisk Models: 56317003



**Nilfisk
Advance**

setting standards

A-English
B-Español

12/07 Form No. 56041711



TABLE OF CONTENTS

	Page
Introduction.....	A-4
Parts and Service.....	A-4
Nameplate.....	A-4
Unpacking the Machine.....	A-4
Cautions and Warnings.....	A-5
Consignes de prudence et de sécurité.....	A-6
Know Your Machine.....	A-7 - A-8
Control Panel.....	A-9 - A-10
Preparing the Machine for Use	
Batteries.....	A-11
Installing the Brushes.....	A-12
Filling the Solution Tank.....	A-12
Pre-Spraying the Carpet.....	A-13
Plan for Cleaning.....	A-13
Squeegee Installation.....	A-13
Detergent (AXP/EDS) System.....	A-14-15
Operating the Machine	
Extracting Operation.....	A-16
Scrubbing Operation.....	A-16
Using Attachments.....	A-17
After Use.....	A-18
Maintenance Schedule.....	A-18
Servicing the Vacuum Motors.....	A-18
Lubricating the Machine.....	A-18
Maintenance	
Charging the Batteries (Wet).....	A-19
Checking the Battery Water Level.....	A-19
Charging the Batteries (Gel).....	A-19
Vacuum Shoe Maintenance.....	A-20
Spray Nozzle Maintenance.....	A-20
Power Brush Maintenance.....	A-20
Servicing the Squeegee.....	A-21
Adjusting the Squeegee.....	A-21
Servicing the Recovery Tank Switch.....	A-22
Troubleshooting	
Circuit Breaker Tripping.....	A-23
Poor Water Pickup.....	A-23
Squeegee Streaks.....	A-23
No Solution Flow.....	A-23
Scrub Deck Raises While Scrubbing.....	A-23
No Detergent Flow (AXP/EDS).....	A-23
Technical Specifications.....	A-24

INTRODUCTION

This manual will help you get the most from your **Nilfisk-Advance** automatic scrubber / carpet extractor. Read it thoroughly before operating the machine.

Note: Bold numbers and letters in parentheses indicate an item illustrated on pages 7-10 unless otherwise noted.

This product is intended for commercial use only.

PARTS AND SERVICE

Repairs, when required, should be performed by your Authorized Nilfisk-Advance Service Center, who employs factory trained service personnel, and maintains an inventory of Nilfisk-Advance original replacement parts and accessories.

Call the NILFISK-ADVANCE DEALER named below for repair parts or service. Please specify the Model and Serial Number when discussing your machine.

(Dealer, affix service sticker here.)

NAMEPLATE

The Model Number and Serial Number of your machine are shown on the Nameplate on the machine. This information is needed when ordering repair parts for the machine. Use the space below to note the Model Number and Serial Number of your machine for future reference.

Model Number _____

Serial Number _____

UNCRATE THE MACHINE

When the machine is delivered, carefully inspect the shipping packaging and the machine for damage. If damage is evident, save the shipping carton (if applicable) so that it can be inspected. Contact the Nilfisk-Advance Customer Service Department immediately to file a freight damage claim. Refer to the unpacking instruction sheet included with the machine to remove the machine from the pallet.

CAUTIONS AND WARNINGS

SYMBOLS

Nilfisk-Advance uses the symbols below to signal potentially dangerous conditions. Read this information carefully and take the necessary steps to protect personnel and property.

DANGER!

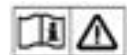
Is used to warn of immediate hazards that will cause severe personal injury or death.

WARNING!

Is used to call attention to a situation that could cause severe personal injury.

CAUTION!

Is used to call attention to a situation that could cause minor personal injury or damage to the machine or other property.



Read all instructions before using.

GENERAL SAFETY INSTRUCTIONS

Specific Cautions and Warnings are included to warn you of potential danger of machine damage or bodily harm.

WARNING!

- This machine should only be used by properly trained and authorized persons.
- While on ramps or inclines, avoid sudden stops when loaded. Avoid abrupt sharp turns. Use low speed down hills. Clean only while ascending (driving up) the ramp.
- Keep sparks, flame and smoking materials away from batteries. Explosive gases are vented during normal operation.
- Charging the batteries produces highly explosive hydrogen gas. Charge batteries only in well-ventilated areas, away from open flame. Do not smoke while charging the batteries.
- Remove all jewelry when working near electrical components.
- Turn the key switch off (O) and disconnect the batteries before servicing electrical components.
- Never work under a machine without safety blocks or stands to support the machine.
- Do not dispense flammable cleaning agents, operate the machine on or near these agents, or operate in areas where flammable liquids exist.
- Do not clean this machine with a pressure washer.
- Do not operate this machine on ramps or inclines of more than a 2 percent gradient.
- Only use the brushes provided with the appliance or those specified in the instruction manual. The use of other brushes may impair safety.

CAUTION!

- This machine is not approved for use on public paths or roads.
- This machine is not suitable for picking up hazardous dust.
- When operating this machine, ensure that third parties, particularly children, are not endangered.
- Before performing any service function, carefully read all instructions pertaining to that function.
- Do not leave the machine unattended without first turning the key switch off (O), removing the key and securing the machine.
- Turn the key switch off (O) and remove the key, before changing the brushes, and before opening any access panels.
- Take precautions to prevent hair, jewelry, or loose clothing from becoming caught in moving parts.
- Use caution when moving this machine in below freezing temperature conditions. Any water in the solution, recovery or detergent tanks or in the hose lines could freeze, causing damage to valves and fittings. Flush with windshield washer fluid.
- The batteries must be removed from the machine before the machine is scrapped. The disposal of the batteries should be safely done in accordance with your local environmental regulations.
- Do not use on surfaces having a gradient exceeding that marked on the machine.
- All doors and covers are to be positioned as indicated in the instruction manual before using the machine.
- Refer to the battery charger OEM product manual for additional specific battery charger warnings.

SAVE THESE INSTRUCTIONS

CONSIGNES DE PRUDENCE ET DE SECURITE

SYMBOLES

Les symboles reproduits ci-dessous sont utilisés par Nilfisk-Advance pour attirer l'attention de l'opérateur sur des situations potentiellement dangereuses. Il est donc conseillé de lire attentivement ces indications et de prendre les mesures adéquates en vue de protéger le personnel et le matériel.

DANGER!

Ce symbole est utilisé pour mettre l'opérateur en garde contre les risques immédiats pouvant provoquer des dommages corporels graves, voire entraîner la mort.

ATTENTION!

Ce symbole est utilisé pour attirer l'attention sur une situation susceptible d'entraîner des dommages corporels graves.

PRUDENCE!

Ce symbole est utilisé pour attirer l'attention de l'opérateur sur une situation qui pourrait entraîner des dommages corporels minimes, ou des dommages à la machine ou à d'autres équipements.



Lire toutes les instructions avant d'utiliser l'appareil.

CONSIGNES GENERALES DE SECURITE

Les consignes spécifiques de prudence et de sécurité mentionnées ici ont pour but de vous informer de la survenance de tout risque de dommages matériels ou corporels.

ATTENTION!

- Cette machine ne pourra être utilisée que par du personnel parfaitement entraîné et dûment autorisé.
- Evitez les arrêts subits lorsque la machine est chargée et se trouve sur des rampes ou des plans inclinés. Evitez les virages serrés. Adoptez une vitesse réduite lorsque la machine est en descente. Ne nettoyez que lorsque la machine monte la pente.
- Eloignez les batteries de toutes flammes, étincelles ou substance fumigène. Les gaz explosifs sont ventilés pendant le fonctionnement normal.
- De plus, du gaz hydrogène explosif s'échappe des batteries lorsqu'elles sont en charge. Ne procédez au chargement des batteries que dans une zone bien ventilée, loin de toute flamme. Ne fumez pas à proximité des batteries lorsqu'elles sont en charge.
- Otez tous vos bijoux lorsque vous travaillez à proximité de composants électriques.
- Positionnez la clé de contact sur off (O) et déconnectez les batteries avant de procéder à l'entretien des composants électriques.
- Ne travaillez jamais sous une machine sans y avoir placé, au préalable, des blocs de sécurité ou des étais destinés à soutenir la machine
- Ne déversez pas d'agents nettoyants inflammables, ne faites pas fonctionner la machine à proximité de ces agents ou d'autres liquides inflammables.
- Ne nettoyez pas cette machine avec un nettoyeur à pression.
- Ne faites pas fonctionner la machine sur des rampes ou pentes de plus de 2 pour cent.
- Utilisez uniquement les brosses fournies avec l'appareil ou celles spécifiées dans le manuel d'instructions. L'utilisation d'autres brosses peut mettre la sécurité en péril.

PRUDENCE!

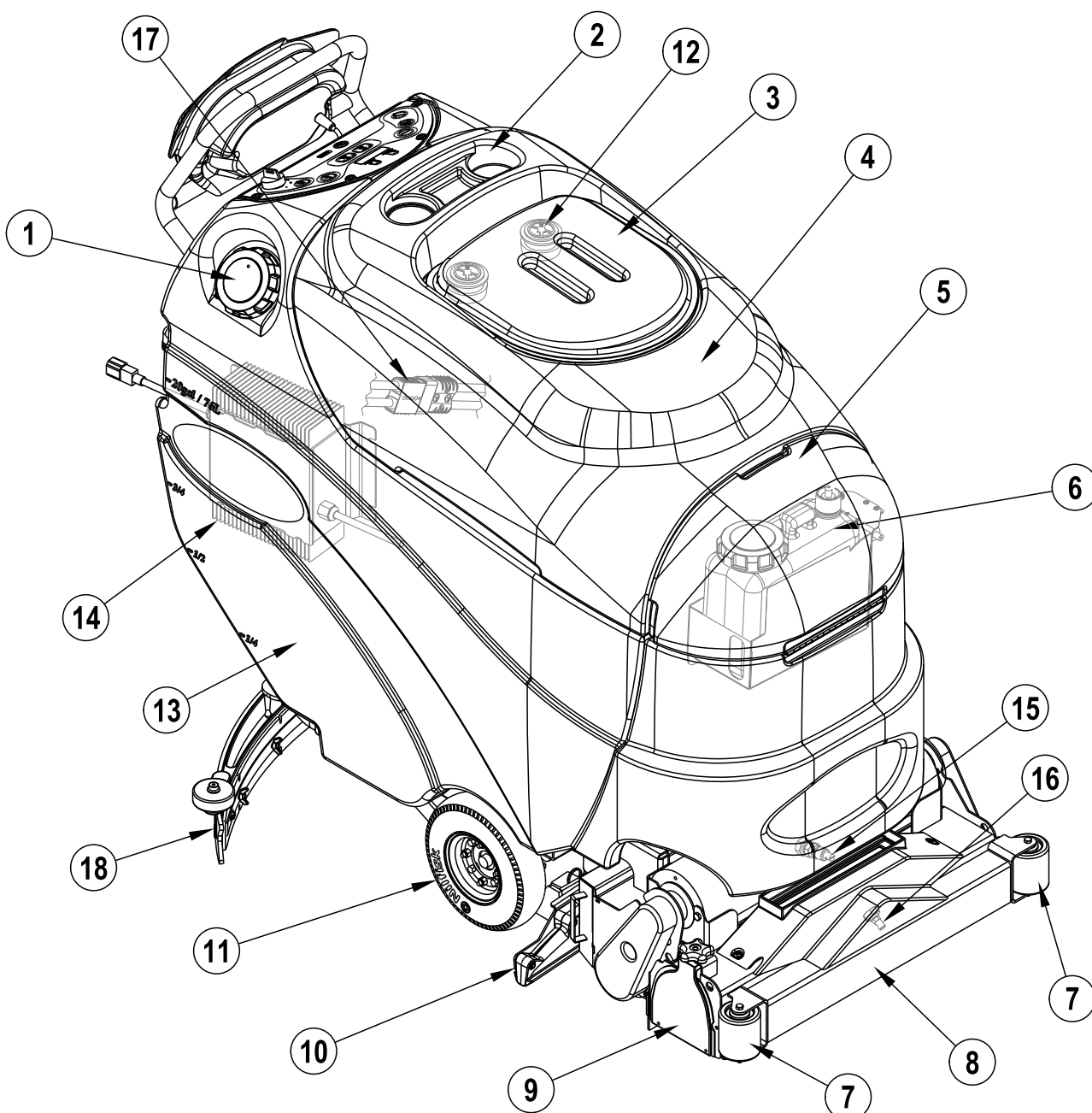
- Cette machine n'est pas conçue pour une utilisation sur les chemins ou voies publiques.
- Cette machine n'est pas conçue pour le ramassage des poussières dangereuses.
- Lors de l'utilisation de cette machine, assurez-vous que des tiers, et notamment des enfants, ne courent pas le moindre risque.
- Avant de procéder à toute opération d'entretien, veuillez lire attentivement toutes les instructions qui s'y rapportent.
- Ne laissez pas la machine sans surveillance sans avoir, au préalable, coupé le contact, enlevé la clé de contact (O) et tiré le frein à main.
- Positionnez la clé de contact sur off (O) avant de remplacer les brosses ou d'ouvrir tout panneau d'accès.
- Prenez toutes les mesures nécessaires pour éviter que les cheveux, les bijoux ou les vêtements amples ne soient entraînés dans les parties mobiles de la machine.
- Faites attention lorsque vous déplacez cette machine dans un endroit où la température peut descendre sous 0°. L'eau contenue dans les réservoirs de détergent, de récupération ou de solution ou dans les conduites risquerait de geler et par là même d'endommager les valves et raccords de la machine. Rincez avec un liquide de lave-glace.
- Prenez soin d'enlever les batteries de la machine avant de mettre cette dernière au rebut. Pour ce qui est de l'élimination des batteries, conformez-vous aux réglementations locales en matière d'environnement.
- N'utilisez pas sur des surfaces dont la pente dépasse celle mentionnée sur la machine.
- Toutes les portes et couvercles doivent être dans la position mentionnée dans le manuel d'instruction avant de mettre la machine en service.
- Consultez le manuel du fabricant du chargeur de batterie pour plus de consignes de sécurité spécifiques sur le chargeur de batterie.

CONSERVEZ SOIGNEUSEMENT CES INSTRUCTIONS

KNOW YOUR MACHINE

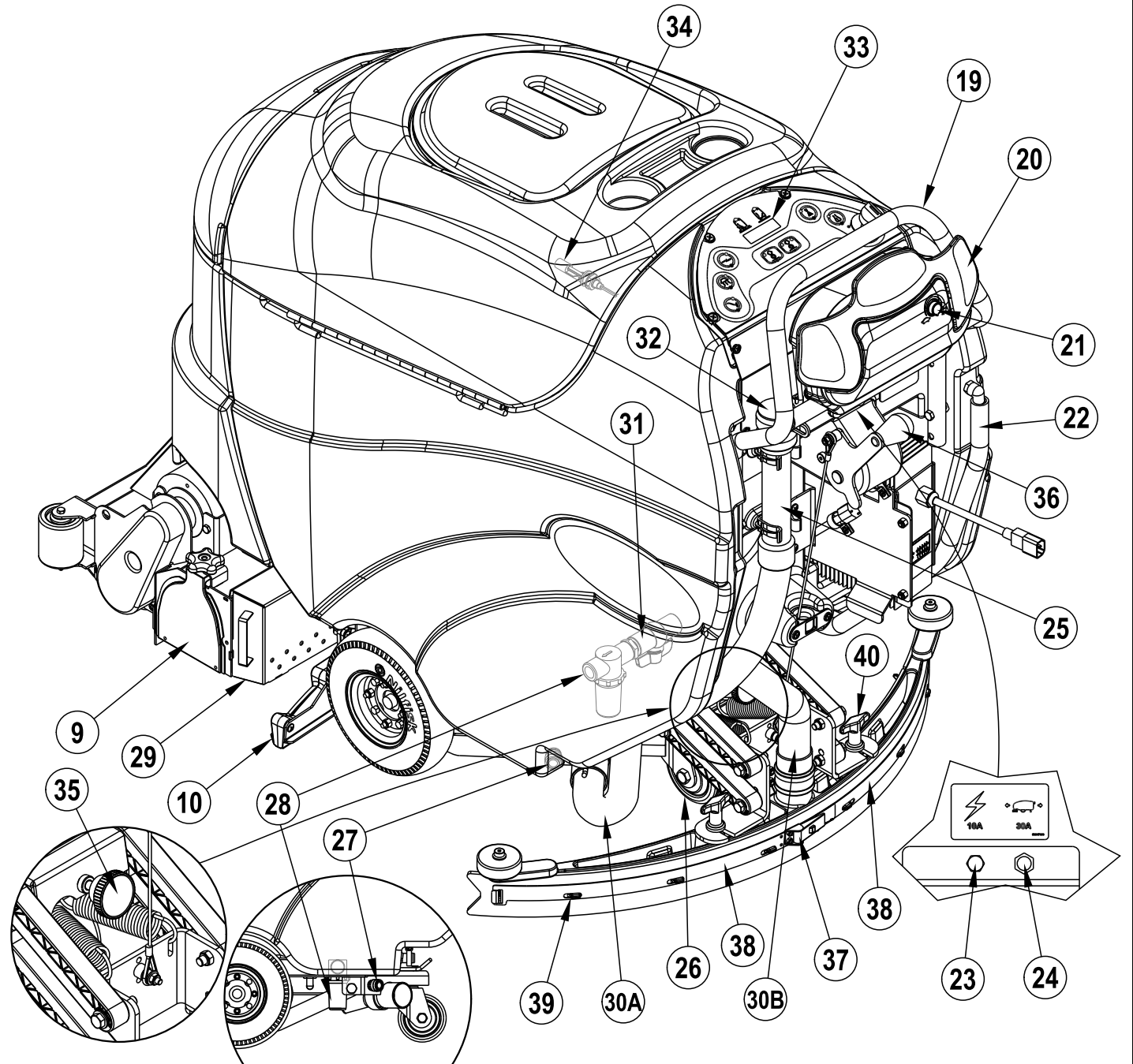
As you read this manual, you will occasionally run across a bold number or letter in parentheses - example: (2). These callouts refer to an item shown on the next 4 pages unless otherwise noted. Refer back to these pages whenever necessary to pinpoint the location of an item mentioned in the text. **NOTE:** Refer to the service manual for detailed explanations of each item illustrated on the next 4 pages.

- | | | | |
|---|---|----|---------------------------------------|
| 1 | Solution Fill Cap | 10 | Extraction Shoes |
| 2 | Bottle Holders | 11 | Drive Wheel |
| 3 | Recovery Tank Dome Lid | 12 | Vacuum Motor Inlet Screens |
| 4 | Recovery Tank | 13 | Solution Tank |
| 5 | Detergent (AXP/EDS) Cartridge Access Cover | 14 | Onboard Battery Charger |
| 6 | Detergent (AXP/EDS) Cartridge | 15 | LIFT Low Moisture Spray Nozzle |
| 7 | Scrub Deck Rollers | 16 | Restoration Spray Nozzle |
| 8 | Scrub Deck | 17 | Battery Pack Connector |
| 9 | Idler Assembly | 18 | Squeegee Assembly |



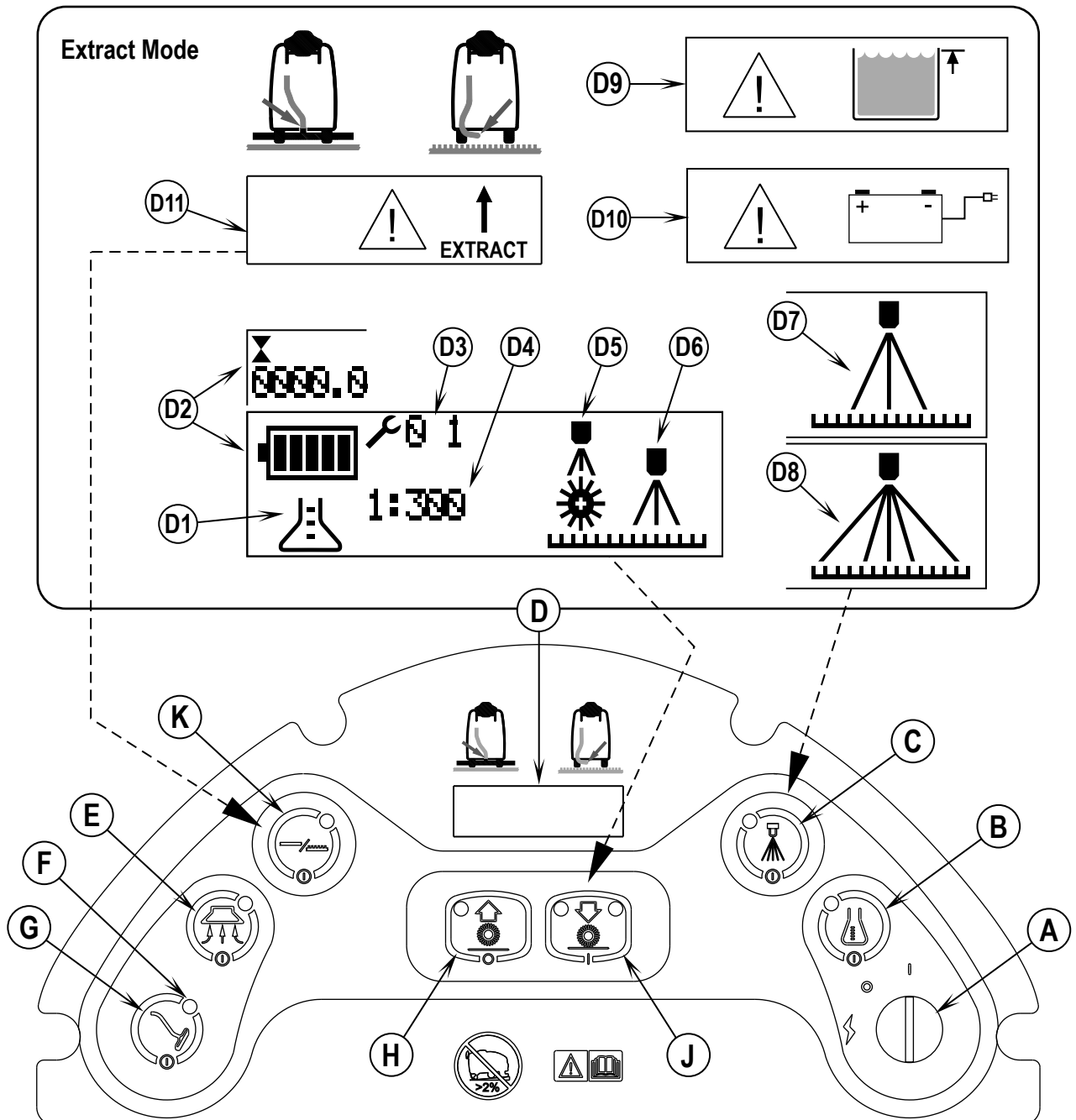
KNOW YOUR MACHINE

- | | | | |
|-----|---|----|-------------------------------|
| 19 | Operator Control Handle | 31 | Solution Shut-Off Valve |
| 20 | Drive Paddle | 32 | Recovery Drain Hose Cap |
| 21 | Speed Control Knob | 33 | Control Panel |
| 22 | Solution Drain Hose / Level Indicator | 34 | Vacuum Shut Off Switch |
| 23 | 10 Amp-Control Circuit Circuit Breaker | 35 | Squeegee Adjustment Knob |
| 24 | 30 Amp-Drive Motor Circuit Breaker | 36 | Squeegee Raise Lower/Lever |
| 25 | Recovery Tank Drain Hose | 37 | Squeegee Blade Latch |
| 26 | Rear Caster | 38 | Squeegee Blade Tension Strap |
| 27 | Accessory Port | 39 | Squeegee Blade Alignment Pins |
| 28 | Solution Filter | 40 | Squeegee Mount Thumb Nut |
| 29 | Debris Hopper | | |
| 30A | Vacuum Recovery Hose (Extract position) | | |
| 30B | Vacuum Recovery Hose (Scrub position) | | |



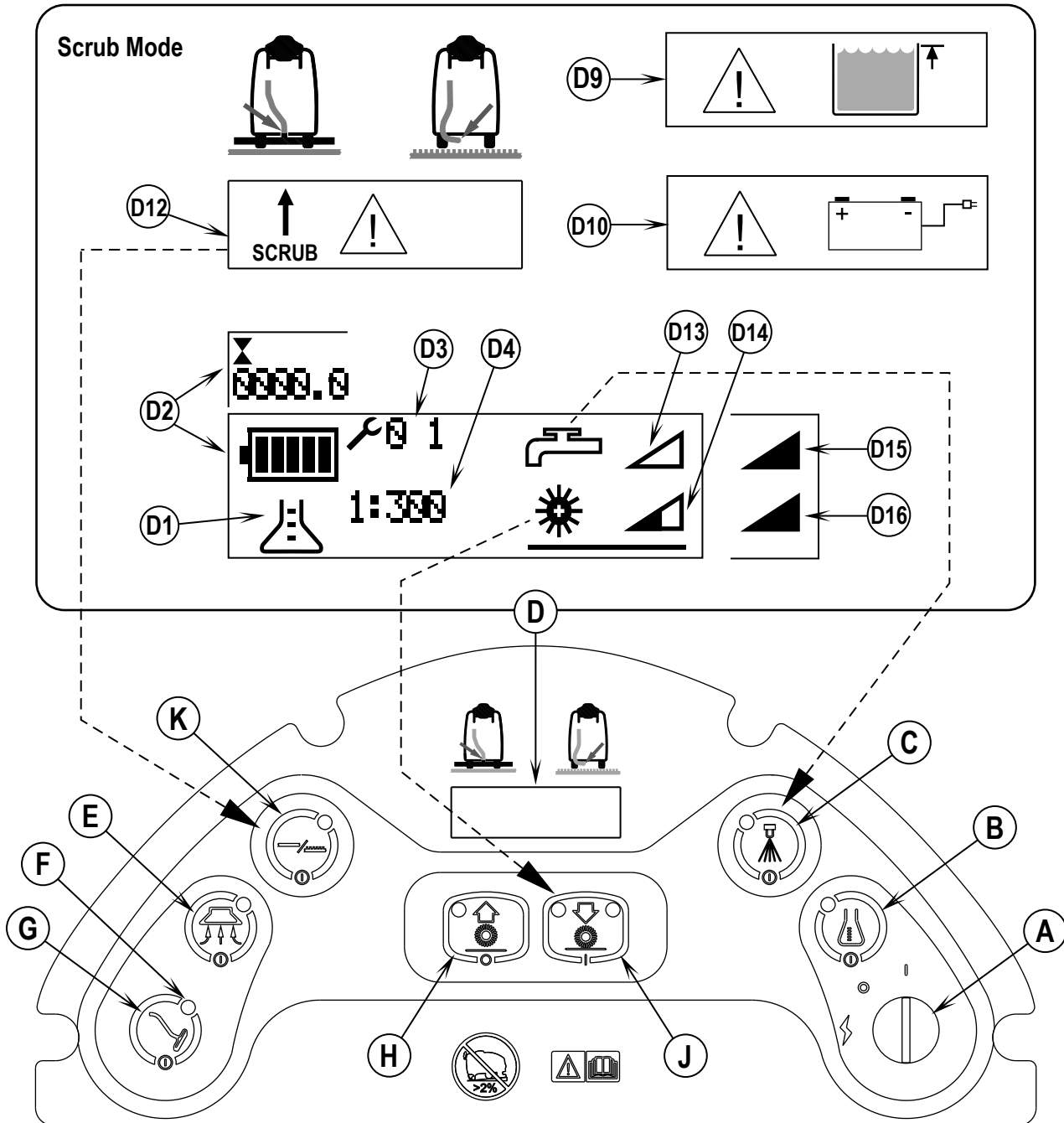
CONTROL PANEL - 1

- | | | | |
|----|--|-----|------------------------------------|
| A | Key Switch | D8 | Heavy Prespray Mode |
| B | Detergent System | D9 | Recovery Tank Full Indicator |
| C | Solution/ Pre-Spray Switch | D10 | Battery Low Indicator |
| D | Display Panel | D11 | Extract Mode Indicator |
| D1 | AXP/EDS Indicator | E | Vacuum Switch |
| D2 | Hourmeter/Battery Indicator | F | Speed Control Fault Code Indicator |
| D3 | Fault Indicator | G | Wand Switch |
| D4 | AXP/EDS Detergent Ratio Indicator | H | Scrub OFF Switch (Red) |
| D5 | LIFT Low Moisture Extract Mode Indicator | J | Scrub ON Switch (Green) |
| D6 | Restoration Extract Mode Indicator | K | Floor Mode Switch (Orange) |
| D7 | Fast Prespray Mode | | |



CONTROL PANEL - 2

- | | | | |
|-----|-----------------------------------|-----|------------------------------------|
| A | Key Switch | D13 | Solution OFF Indicator |
| B | Detergent System | D14 | Light Scrub Pressure Indicator |
| C | Solution/ Pre-Spray Switch | D15 | Solution Active Indicator |
| D | Display Panel | D16 | Heavy Scrub Pressure Indicator |
| D1 | AXP/EDS Indicator | E | Vacuum Switch |
| D2 | Hourmeter/Battery Indicator | F | Speed Control Fault Code Indicator |
| D3 | Fault Indicator | G | Wand Switch |
| D4 | AXP/EDS Detergent Ratio Indicator | H | Scrub OFF Switch (Red) |
| D9 | Recovery Tank Full Indicator | J | Scrub ON Switch (Green) |
| D10 | Battery Low Indicator | K | Floor Mode Switch (Orange) |
| D12 | Scrub Mode Indicator | | |



BATTERIES

If your machine shipped with batteries installed do the following:

- Check that the batteries are connected to the machine (17).
- Turn ON the Key Switch (A) and check the Battery Indicator (D2). If the gauge is completely filled, the batteries are ready for use. If the gauge is less than full, the batteries should be charged before use. See the "Charging The Batteries" section.
- **IMPORTANT!: YOUR MACHINE HAS AN ONBOARD BATTERY CHARGER, REFER TO THE OEM PRODUCT MANUAL FOR INSTRUCTIONS REGARDING SETTING THE CHARGER FOR BATTERY TYPE (SEE CHART).**

If your machine shipped without batteries installed do the following:

- Consult your Authorized Nilfisk-Advance dealer for recommended batteries.
- Install the batteries by following the instructions below.
- **DO NOT install two 12 volt batteries in your machine. This affects the stability of the machine.**
- **IMPORTANT!: YOUR MACHINE HAS AN ONBOARD BATTERY CHARGER, REFER TO THE OEM PRODUCT MANUAL FOR INSTRUCTIONS REGARDING SETTING THE CHARGER FOR BATTERY TYPE (SEE CHART).**

AH/Rate	MFG	Algorithm
255	Discover	43
251	US	72
180	DEKA(gel)	6
201 / 195	US / Trojan	11 / 3
235	US / Trojan	11 / 3

WARNING!

Use extreme caution when working with batteries. Sulfuric acid in batteries can cause severe injury if allowed to contact the skin or eyes. Explosive hydrogen gas is vented from the batteries through openings in the battery caps. This gas can be ignited by any electrical arc, spark or flame. Do not install any lead-acid battery in a sealed container or enclosure. Hydrogen gas from overcharging must be allowed to escape.

When Servicing Batteries...

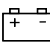

- Remove all jewelry
- Do not smoke
- Wear safety glasses, rubber gloves and a rubber apron
- Work in a well-ventilated area
- Do not allow tools to touch more than one battery terminal at a time
- ALWAYS disconnect the negative (ground) cable first when replacing batteries to prevent sparks.
- ALWAYS connect the negative cable last when installing batteries.

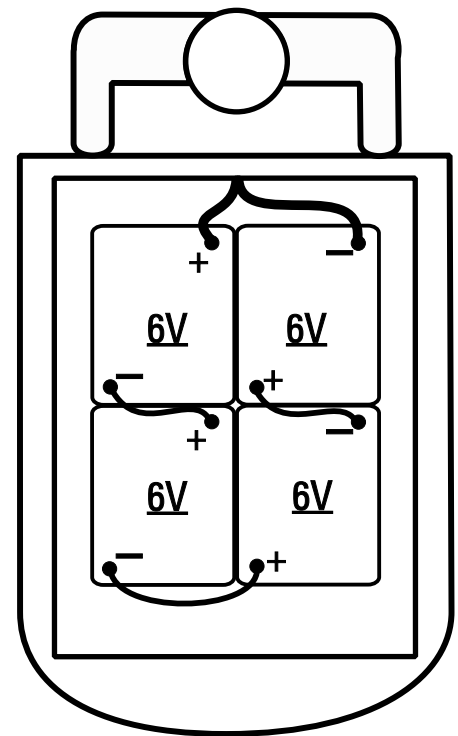
CAUTION!

Electrical components in this machine can be severely damaged if the batteries are not installed and connected properly. Nilfisk-Advance, a qualified electrician, or the battery manufacturer should install batteries.

- 1 Remove the batteries from their shipping crate and carefully inspect them for cracks or other damage. If damage is evident, contact the carrier that delivered them or the battery manufacturer to file a damage claim.
- 2 Turn the Master Key Switch (A) OFF and remove the key.
- 3 Tip the recovery tank to the side, locked position. Remove the battery cables from inside the battery compartment.
- 4 Your machine comes from the factory with enough battery cables to install four 6 volt batteries. Carefully lift the batteries into the battery compartment and arrange them exactly as shown in **FIGURE 1**. Secure the batteries as close to the back of the machine as possible.
- 5 Install the battery cables as shown. Position the cables so the battery caps can be easily removed for battery service.
- 6 Carefully tighten the nut in each battery terminal until the terminal will not turn. Do not over-tighten the terminals, or they will be very difficult to remove for future service.
- 7 Coat the terminals with spray-on battery terminal coating (available at most auto parts stores).
- 8 Put one of the black rubber boots over each of the terminals and connect the Battery Pack Connector (17).

FIGURE 1

255 AH @ 20 HR RATE
(4)  MAX  156KG/344LB



56016688

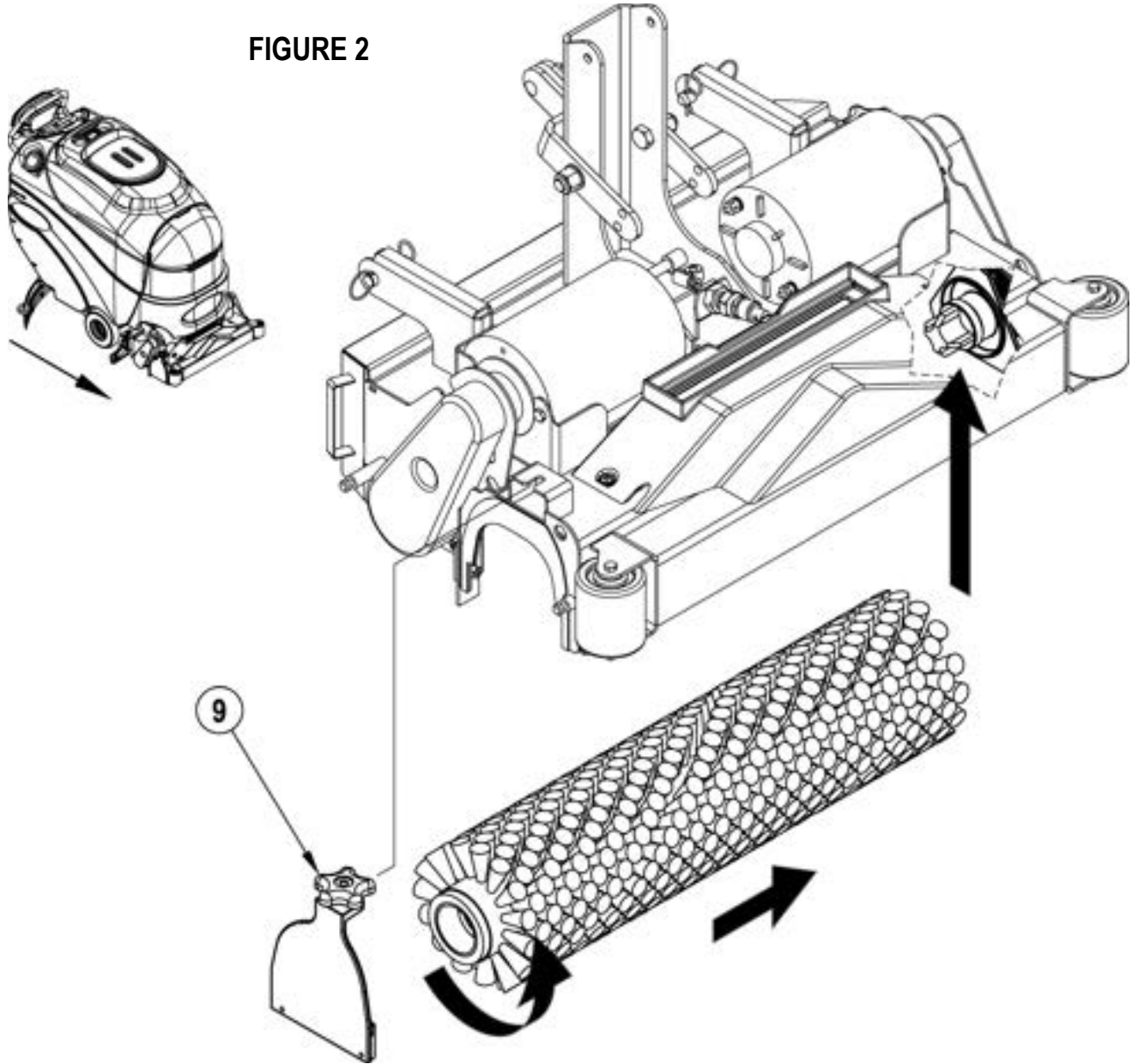
INSTALLING THE BRUSHES

CAUTION!

Turn the key switch off (O) and remove the key, before changing the brushes, and before opening any access panels.

- 1 Make sure the Brush Deck is in the RAISED position. Make sure the Key Switch (A) is off (O).
- 2 **See Figure 2.** To access the brushes loosen the black knobs (one on each side) on top of the Idler Assemblies (9) and remove the idler assemblies. Slide the brush into the housing, lift slightly, push and turn until it seats. Re-install the idler assemblies.

FIGURE 2



FILLING THE SOLUTION TANK

Fill the solution tank with a maximum of 20 gallons (76 Liters) of cleaning solution. Do not fill the solution tank above 7.5 cm (3 inches) from the bottom of the Solution Fill (1). Use the Solution Level Indicator (22) to monitor the solution level while filling. The solution should be a mixture of water and the proper cleaning chemical for the job. Always follow the dilution instructions on the chemical container label. **NOTE:** Machines can either be used conventionally with detergent mixed in the solution tank or the AXP/EDS detergent dispensing system can be used. When using the AXP/EDS detergent dispensing do not mix detergent in the tank, plain water should be used.

CAUTION!

Use low-sudsing, non-flammable liquid detergents designed for machine application. Water temperature should not exceed 130 degrees Fahrenheit (54.4 degrees Celsius).

BEFORE USING THE ADPHIBIAN™ / AX 651 COMBI EDS FOR EXTRACTING

Thoroughly vacuum the carpet to be cleaned before using the Adphibian/AX 651 Combi EDS automatic carpet extractor.

PRE-SPRAYING THE CARPET

The Adphibian/AX 651 Combi EDS in extract mode has a pre-spray feature. Pre-spray spots and heavy traffic areas before extracting. For extremely dirty floors, a one-pass scrubbing operation may not be satisfactory and a “pre-spray” operation may be required. This operation is the same as a one-pass scrubbing except on the first pass the vacuum shoes are in the up position and the vacuum motors are off. This allows the cleaning solution/detergent to remain on the floor to work longer. The final pass is made over the same area, with the vacuum shoes lowered and vacuum motors on to pick up the accumulated solution.

- 1 The scrub system must be in the off position.
- 2 Press the orange Floor Mode Switch **(K)** until the display shows **(D11)** indicating Extract Mode has been selected.
- 3 Press the Solution/Pre-Spray Switch **(C)**, the Display **(D7)** will indicate Fast Prespray Mode. The scrub deck will be lowered and the solution and detergent systems will be enabled. The Extraction Shoes **(10)** will remain in the up position.
- 4 Push the Drive Paddle **(20)** forward to start the brushes and solution/detergent.
- 5 Press the Solution/Pre-Spray Switch **(C)** to exit the prespray mode. The brushes and solution/detergent flow will be stopped. The scrub deck will raise.
- 6 If more solution is desired, press the green Scrub ON Switch **(J)** (while in Fast Prespray Mode) to enter the Heavy Prespray Mode. The Display **(D8)** will indicate the Heavy Prespray Mode has been selected. In this mode the machine moves slower and more solution is sprayed on the carpet.

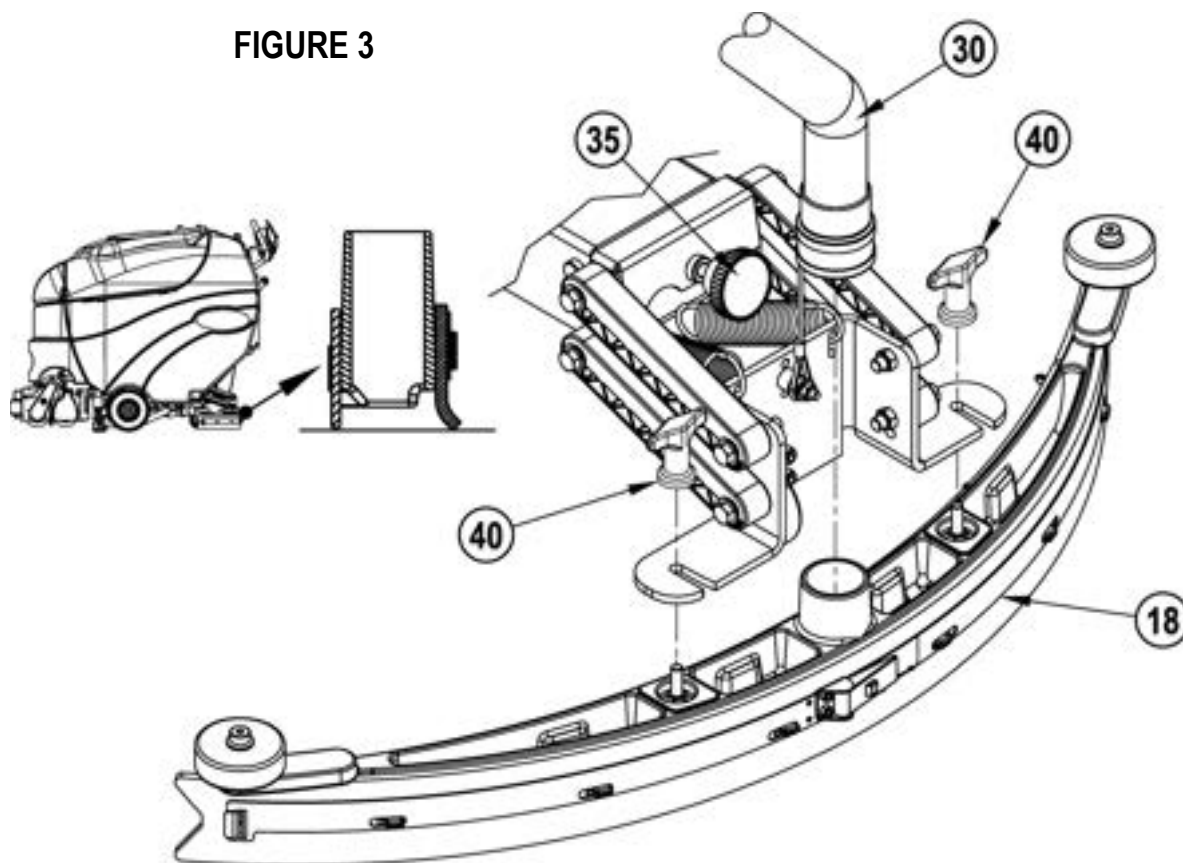
PLAN FOR CLEANING

Before you begin extracting, look at the area to be cleaned and plan your work. Divide the space into sections. Overlap each pass 2 inches (5 cm).

SQUEEGEE INSTALLATION

- 1 See Figure 3. Slide the Squeegee Assembly **(18)** onto the squeegee mount bracket and tighten the Squeegee Mount Thumb Nuts **(40)**.
- 2 Connect the Recovery Hose **(30)** to the squeegee inlet.
- 3 Lower the squeegee, move the machine ahead slightly and adjust the squeegee tilt using the Squeegee Adjustment Knob **(35)** so that the rear squeegee blade touches the floor evenly across its entire width and is bent over slightly as shown.

FIGURE 3



DETERGENT (AXP/EDS) SYSTEM PREPARATION AND USE

COMMON INSTRUCTIONS:

Pressing and releasing the Detergent Switch **(B)** while the solution system is active will cause the detergent system to alternately turn on and off. The system should be purged of previous detergent when switching to a different detergent. **SERVICE NOTE:** Move machine over floor drain before purging because a small amount of detergent will be dispensed in the process.

To Purge When Changing Chemicals:

- 1 Disconnect and remove the detergent cartridge.
- 2 Turn the Key Switch **(A)** ON and press the Detergent Switch **(B)** and the Solution/Pre-Spray Switch **(C)** down for at least 2 seconds. **NOTE:** Once activated the purge process takes 30 seconds. See illustration on next page for Detergent System indicators. Normally one purge cycle is adequate to purge the system.

To Purge Weekly:

- 1 Disconnect and remove the detergent cartridge. Install and connect a Cartridge filled with clean water
- 2 Turn the Key Switch **(A)** ON and press the Detergent Switch **(B)** and the Solution/Pre-Spray Switch **(C)** down for at least 2 seconds. **NOTE:** Once activated the purge process takes 30 seconds. See illustration on next page for Detergent System indicators. Normally one purge cycle is adequate to purge the system.

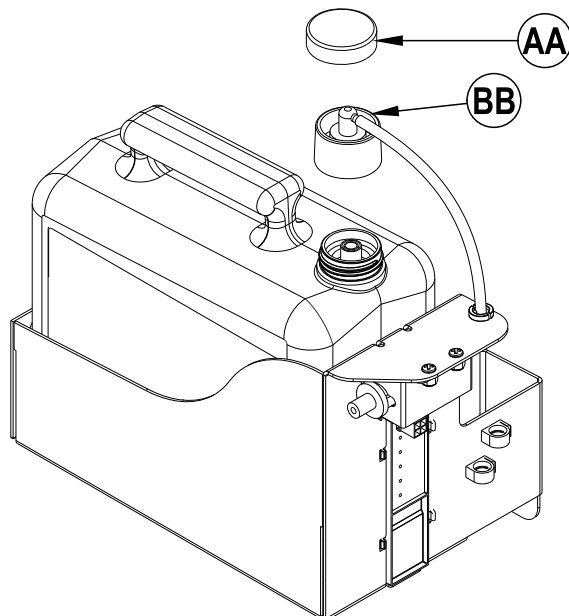
When the Detergent Cartridge is almost empty a Display Panel **(D1)** indicator will come on. This "Low Detergent" indicator will remain on until you reset the system. Once this indicator comes on you should be able to simply pour an entire gallon bottle of detergent into the Cartridge to refill without worrying about measuring. **NOTE:** Only reset the system when the cartridge is full. When switching cartridges, the "Low Detergent" indicator is only accurate if the replacement cartridge is at the same level as the cartridge being replaced.

To Reset:

- 1 Turn the Key Switch **(A)** ON and hold the Detergent Switch **(B)** down for 2 seconds. See illustration on next page for Detergent System indicators.

NON-REFILLABLE CARTRIDGE SPECIFIC INSTRUCTIONS:

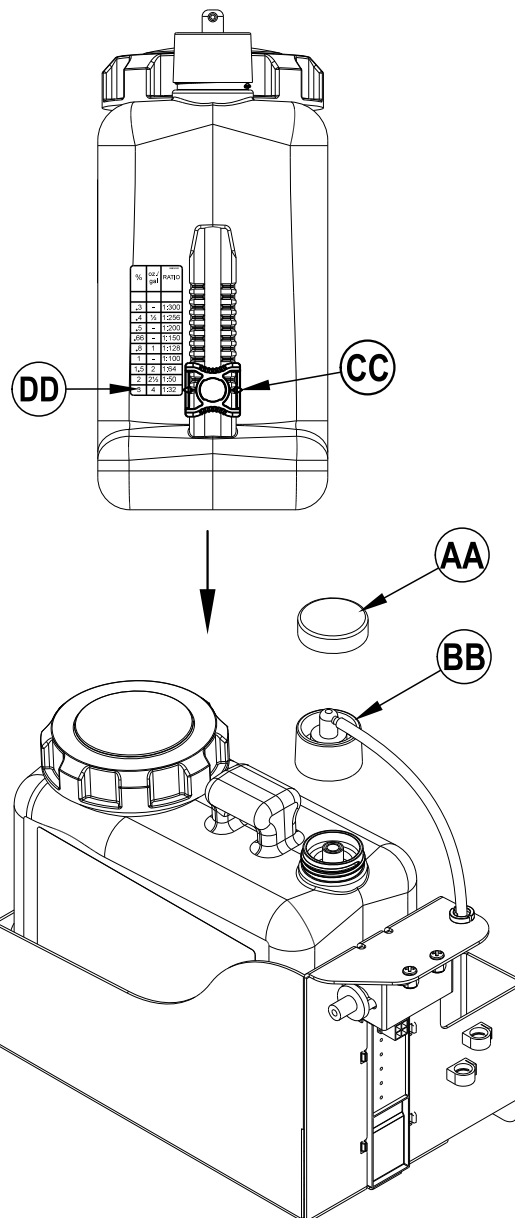
Remove the Cap **(AA)** and place the cartridge in the detergent box. Install the Dry Break Cap **(BB)** as shown.



REFILLABLE CARTRIDGE SPECIFIC INSTRUCTIONS:

Fill the detergent cartridge with a maximum of 1.25 gallons (4.73 Liters) of detergent. **SERVICE NOTE:** Remove the detergent cartridge from the detergent box prior to filling to avoid spilling detergent on the machine.

It is recommended that a separate cartridge be used for each detergent you plan to use. The detergent cartridges have a white decal on them so you can write the detergent name on each cartridge to avoid mixing them up. The detergent cartridge has a Magnetic Slider **(CC)** on one end that needs to be set to the proper dilution ratio according to the dilution instructions on the manufacturer's bottle. Slide the Magnet Slider **(CC)** to the appropriate location on Detergent Dilution Ratio Decal **(DD)**. When installing a new cartridge, remove the Cap **(AA)** and place the cartridge in the detergent box. Install the Dry Break Cap **(BB)** as shown.



DETERGENT (AXP/EDS) SYSTEM PREPARATION AND USE



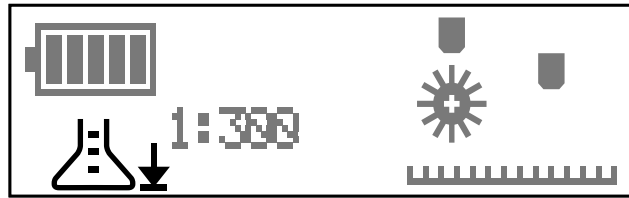
DETERGENT ON



DETERGENT OFF



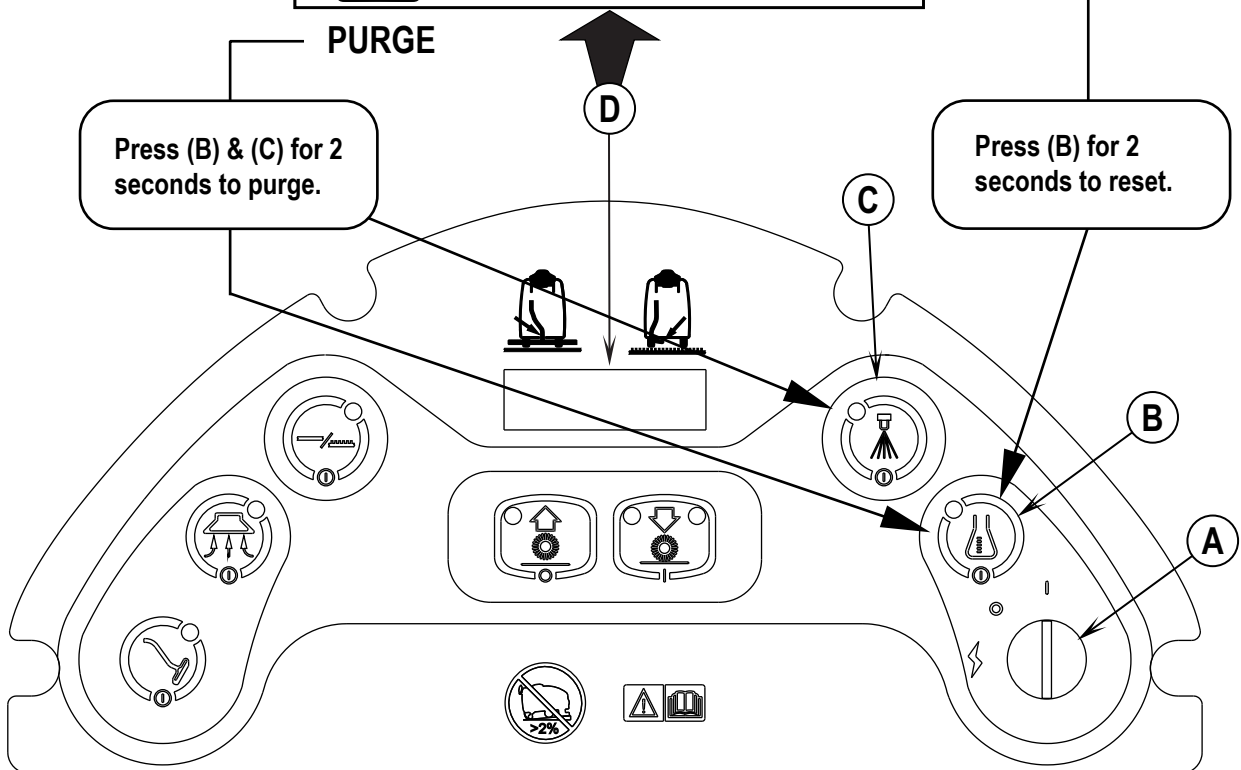
FULL (RESET)



DETERGENT LOW



PURGE



OPERATING THE MACHINE



WARNING!

Be sure you understand the operator controls and their functions.

While on ramps or inclines, avoid sudden stops when loaded. Avoid abrupt sharp turns. Use low speed down hills. Clean only while ascending (driving up) the ramp.

- 1 Follow the instructions in the "Preparing The Machine For Use" section of this manual.
- 2 Turn the Master Key Switch **(A)** ON (I). This will display the control panel indicator lights. The Hour Meter will display for 5 seconds followed by the Battery Indicator in the upper left on the Display Panel **(D2)**.
- 3 To transport the machine to the work area, push the Drive Paddle **(20)** forward to go forward or pull the Drive Paddle **(20)** backward to move the machine in reverse. Vary the pressure on the Drive Paddle **(20)** to obtain the desired speed.

NOTE: Speed Control Knob **(21)** is used to control the maximum speed in either forward or reverse.

Extracting

- 4a With scrub deck raised (OFF), press the orange Floor Mode Switch **(K)** until the display shows **(D11)**. The Display **(D11)** is shown to indicate that Extract Mode has been selected and also to alert the operator to connect the Vacuum Recovery Hose **(30A)** to the extractor shoe port for extracting. **NOTE:** The squeegee can be removed if desired while extracting.
- 4b Press the green Scrub ON Switch **(J)** once for LIFT Extraction **(D5)** or twice for Restoration Extraction **(D6)** mode.
LIFT Low Moisture Mode: Lower solution flow, higher travel speed. Recommended for frequent cleaning and when fast dry times are required.
Restoration Mode: Higher solution flow, lower travel speed. Recommended for less frequent deep cleaning.
Once pressed, the scrub deck and extractor shoes will be lowered. **NOTE:** The solution, vacuum and detergent systems are automatically activated once the green Scrub ON Switch **(J)** is pressed. Any individual system can be turned OFF or back ON by simply pressing its switch at any time while extracting.
- 4c When the Drive Paddle **(20)** is in the neutral position, the scrub, vacuum, solution and detergent systems are activated but not running. Grip the Operator Control Handle **(19)** and push the Drive Paddle **(20)** forward to; start the scrub motors, start both vacuum motors, dispense solution/detergent, and to move the machine forward. The Adphibian/AX 651 will move at a preprogrammed speed for optimum cleaning results. Press the Solution/Pre-Spray Switch **(C)** once to turn OFF while making sharp turns. Pull the Drive Paddle **(20)** backward to move the machine in reverse. The brushes will run while moving the machine in reverse, but solution and detergent will not be dispensed.
- 4d For extremely dirty floors, a one-pass extraction operation may not be satisfactory and a pre-spray operation may be required. See Pre-Spraying the Carpet in the Preparing the Machine for Use section.
- 4e Watch the fluid entering the Recovery Tank Dome Lid **(3)**. If there is a large amount of suds in the recovery tank, add a defoamer chemical to the recovery tank.

Scrubbing

- 4a With scrub deck raised (OFF), press the orange Floor Mode Switch **(K)** until the display shows **(D12)**. The Display **(D12)** is shown to indicate that Scrub Mode has been selected and also to alert the operator to connect the Vacuum Recovery Hose **(30B)** to the squeegee assembly for scrubbing.
- 4b Press and hold the Solution/Pre-Spray Switch **(C)** to pre-wet the floor, solution/detergent will be dispensed while switch is held. **NOTE:** This must be done prior to pressing the green Scrub ON Switch **(J)**.
- 4c Press the green Scrub ON Switch **(J)** once for Light Scrub [display will show **(D15)** and **(D14)**] or twice for Heavy Scrub Mode [display will show **(D15)** and **(D16)**].
Once pressed, the scrub deck will be lowered (extractor shoes remain up). **NOTE:** The solution, vacuum and detergent systems are automatically activated once the green Scrub ON Switch **(J)** is pressed. Any individual system can be turned OFF or back ON by simply pressing its switch at any time while scrubbing.
- 4d Lower the squeegee assembly using the Squeegee Raise/Lower Lever **(36)**.
- 4e When the Drive Paddle **(20)** is in the neutral position, the scrub, vacuum, solution and detergent systems are activated but not running. Grip the Operator Control Handle **(19)** and push the Drive Paddle **(20)** forward to; start the scrub motors, start one vacuum motor, dispense solution/detergent, and to move the machine forward. For best results, move the machine at a slow walking speed. Press the Solution/Pre-Spray Switch **(C)** once to turn OFF while making sharp turns. Pull the Drive Paddle **(20)** backward to move the machine in reverse. The brushes will run while moving the machine in reverse, but solution and detergent will not be dispensed.
- 4f For extremely dirty floors, a one-pass scrubbing operation may not be satisfactory and a "double-scrub" operation may be required. This operation is the same as a one-pass scrubbing except on the first pass the squeegee is in the up position. This allows the cleaning solution to remain on the floor to work longer. The final pass is made over the same area, with the squeegee lowered to pick up the accumulated solution.



CAUTION!

To avoid damaging the floor, keep the machine moving while the brushes are turning.

- 5 The recovery tank has an automatic shut-off switch that turns ALL system OFF except the drive system when the recovery tank is full. When this switch is activated, the recovery tank must be emptied. The machine will not pick up water or scrub with the switch activated. **NOTE:** All other indicators vanish and a "Recovery Tank FULL" indicator **(D9)** turns on in the Display Panel when the switch is activated.
- 6 When the operator wants to stop scrubbing/extracting or the recovery tank is full, press the red Scrub OFF Switch **(H)** once. This will automatically stop the scrub brushes and solution flow and the scrub deck will raise UP. **NOTE:** the vacuum motor(s) will stop after a 10 second delay, this is to allow any remaining water left in the vacuum hose to be picked up rather than draining back onto the floor.
- 7 Raise the squeegee if necessary and drive the machine to a designated wastewater "DISPOSAL SITE" and empty the recovery tank. To empty, pull the Recovery Tank Drain Hose **(25)** from its hanger, then open the Cap **(32)** (hold the end of the hose above the water level in the tank to avoid sudden, uncontrolled flow of waste water). The Recovery Tank Drain Hose **(25)** can be squeezed to regulate the flow. Refill the solution tank and continue cleaning.

NOTE: Make sure the Recovery Tank Cover **(3)** and the Recovery Tank Drain Hose Cap **(32)** are properly seated or the machine will not pick-up water correctly. When the batteries require recharging the Battery Low Indicator **(D10)** will come on and the vacuum motor(s) will shut off after 30 seconds. Transport the machine to a service area and fully recharge the batteries according to the instructions in the Battery section of this manual.

USING ATTACHMENTS

Fit the machine with optional attachments for wet vacuuming.

- 1 Disconnect the Recovery Hose (30) from the extraction shoe port or squeegee assembly.
- 2 Attach suitable wet pick-up tools (Available from Nilfisk-Advance) to the Hose (30).
- 3 Connect the accessory solution hose to the Accessory Port (27).
- 4 Turn the Master Key Switch (A) ON.
- 5 Press the Wand Switch (G) once to turn ON the vacuum motors.

SERVICE NOTE: Refer to the service manual for detailed functional descriptions of all controls and optional programmability.

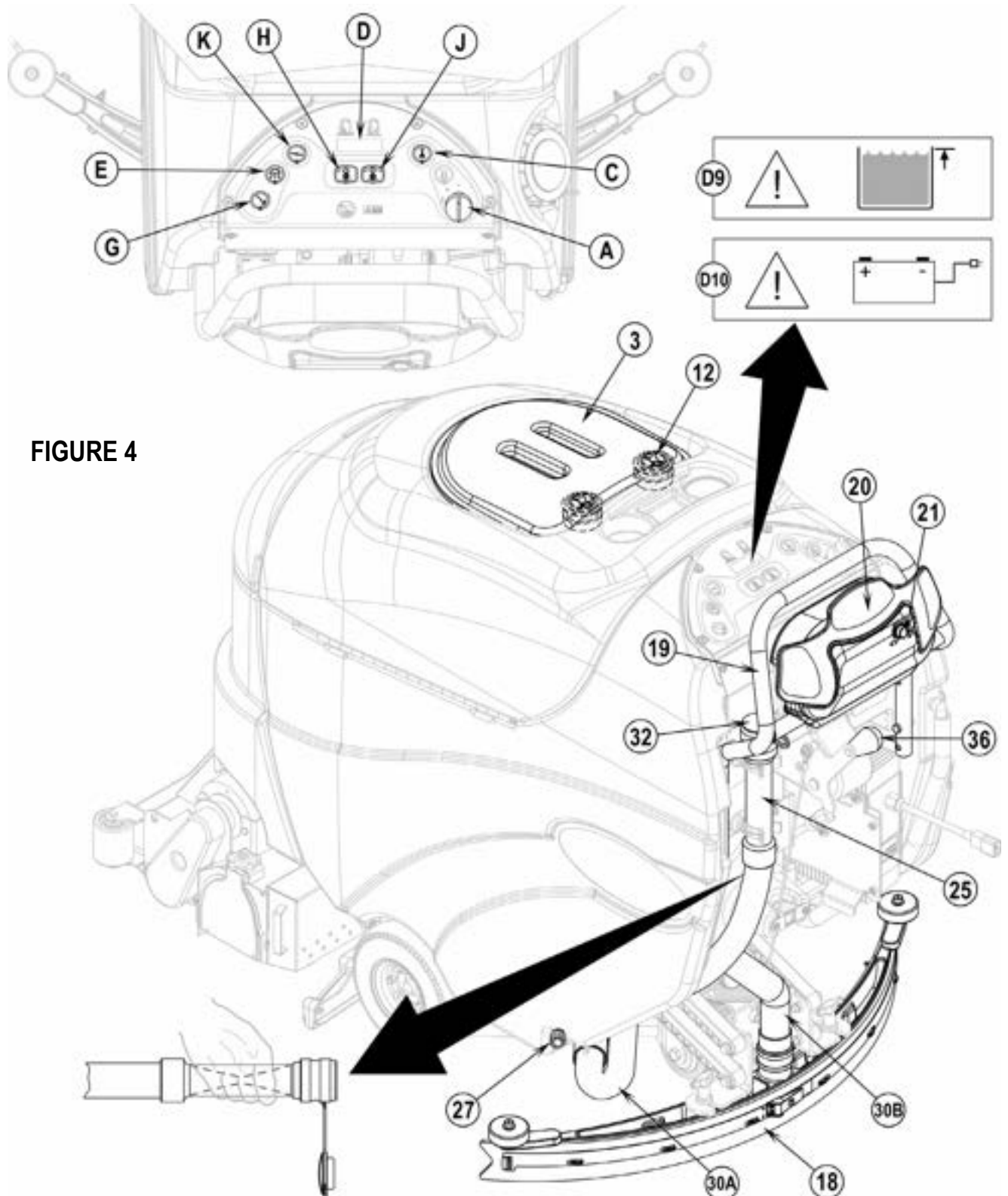


FIGURE 4

AFTER USE

- 1 Press the red Scrub OFF Switch (H) to raise the brushes. Raise the squeegee and move the machine to a service area.
- 2 Turn the Master Key Switch (A) OFF and remove the key.
- 3 To empty the solution tank, pull the Solution Drain Hose (22) off the elbow. Direct the hose to a floor drain or bucket. Rinse the tank with clean water. Inspect the solution hoses; replace if kinked or damaged.
- 4 To empty the recovery tank, remove the Recovery Tank Drain Hose (25) from its hanger, then remove the cap (hold the end of the hose above the water level in the tank to avoid sudden, uncontrolled flow of waste water). The Recovery Tank Drain Hose (25) can be squeezed to regulate the flow. Rinse the tank and recovery tank switch (34) with clean water. Inspect the recovery and vacuum hoses; replace if kinked or damaged. **SERVICE NOTE:** Make sure you do not get any water down the Vacuum Motor Inlet Screens (12) while cleaning.
- 5 Remove the brushes then rinse them with warm water and remove any built up string, hair or carpet fibers. Hang the brushes up to dry.
- 6 Remove the squeegee, rinse it with warm water and hang it up to dry.
- 7 Check the maintenance schedule below and perform any required maintenance before storage.

MAINTENANCE SCHEDULE

MAINTENANCE ITEM	Daily	Weekly	Monthly	Yearly
Charge Batteries	X			
Check/Clean Tanks and Hoses (clean recovery tank switch & vacuum inlet screens)	X			
Check/Clean/Rotate the Brushes	X			
Check/Clean the Squeegee	X			
Empty and Clean Debris Hopper	X			
Clean Vacuum Shoes	X			
Check Each Battery Cell(s) Water Level (does not apply to gel cell batteries)		X		
Inspect and Clean Solution Filter		X		
Clean Solution Spray Nozzles		X		
Purge Detergent System		X		
Lubricate the Machine			X	
* Check Carbon Brushes				X

* Have Nilfisk-Advance check the vacuum motors' carbon motor brushes once a year or after 300 operating hours. The brush and drive motor carbon brushes check every 500 hours or once a year.

NOTE: Refer to the Service Manual for more detail on maintenance and service repairs.

- 8 Store the machine in a clean, dry place.
- 9 Turn the Master Key Switch (A) OFF (O) and remove the key.

SERVICING THE VACUUM MOTORS

Have your Nilfisk-Advance Dealer check the carbon motors brushes once a year or after 300 operating hours.

IMPORTANT!

Motor damage resulting from failure to service the carbon brushes is not covered under warranty. See the Limited Warranty Statement.

LUBRICATING THE MACHINE

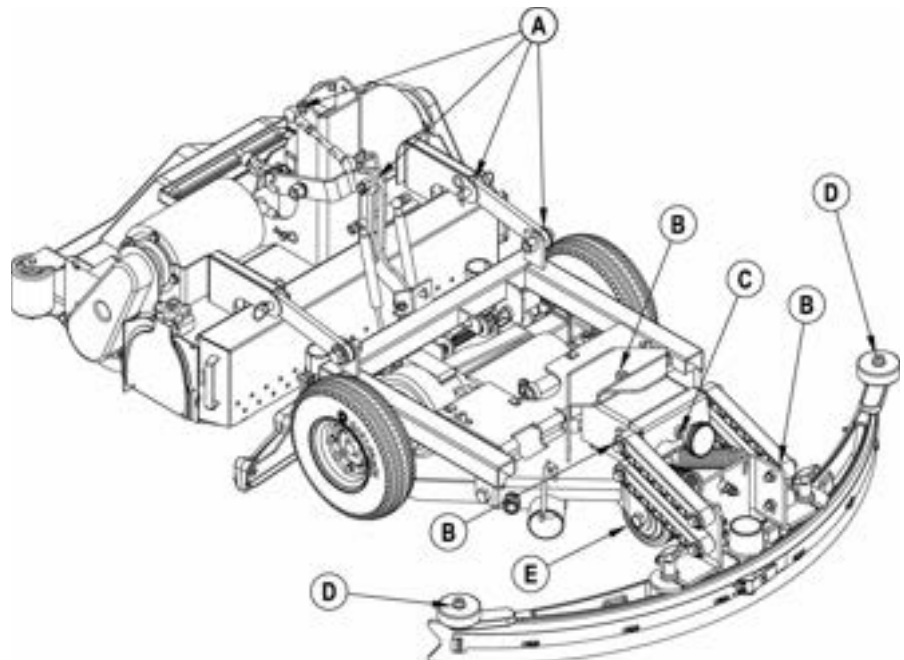
See Figure 5. Once a month lubricate the pivot points below. For best results, use a spray silicone lubricant.

- General Pivot Points For the Brush Linkage (A).
- General Pivot Points for the Squeegee Linkage (B).
- Squeegee mount angle adjustment knob threads (C).
- Squeegee Tool end wheels (D).
- Scrub deck bumper wheels.

Once per quarter, Grease the following. Wipe off any excess grease to avoid staining carpet.

- Rear Caster Wheel Swivel (E).

FIGURE 5



CHARGING WET BATTERIES

Charge the batteries each time the machine is used or when the Battery Indicator (D2) is reading less than full.



WARNING!

Do not fill the batteries before charging.

Charge batteries in a well-ventilated area.

Do not smoke while servicing the batteries.

When Servicing Batteries...

- Remove all jewelry
- Do not smoke
- Wear safety glasses, rubber gloves and a rubber apron
- Work in a well-ventilated area
- Do not allow tools to touch more than one battery terminal at a time
- ALWAYS disconnect the negative (ground) cable first when replacing batteries to prevent sparks.
- ALWAYS connect the negative cable last when installing batteries.

To charge do the following:

Turn the Key Switch (A) OFF. Unwind the electrical cord from the side of the onboard charger and plug it into a properly grounded outlet. Refer to the OEM product manual for more detailed operating instructions.



CAUTION!

To avoid damage to floor surfaces, wipe water and acid from the top of the batteries after charging.

CHECKING THE BATTERY WATER LEVEL

Check the water level of the batteries at least once a week.

After charging the batteries, remove the vent caps and check the water level in each battery cell. Use distilled or demineralized water in a battery filling dispenser (available at most auto parts stores) to fill each cell to the level indicator (or to 10 mm over the top of the separators). DO NOT over-fill the batteries!



CAUTION!

Acid can spill onto the floor if the batteries are overfilled.

Tighten the vent caps. Wash the tops of the batteries with a solution of baking soda and water (2 tablespoons of baking soda to 1 liter of water).

CHARGING GEL (VRLA) BATTERIES

Charge the batteries each time the machine is used or when the Battery Indicator (D2) is reading less than full.



WARNING!

Charge batteries in a well-ventilated area.

Do not smoke while servicing the batteries.

When Servicing Batteries...

- Remove all jewelry
- Do not smoke
- Wear safety glasses, rubber gloves and a rubber apron
- Work in a well-ventilated area
- Do not allow tools to touch more than one battery terminal at a time
- ALWAYS disconnect the negative (ground) cable first when replacing batteries to prevent sparks.
- ALWAYS connect the negative cable last when installing batteries.



CAUTION!

Your voltage regulated lead acid (VRLA) battery will deliver superior performance and life ONLY IF IT RECHARGED PROPERLY! Under or overcharging will shorten battery life and limit performance. Be sure to FOLLOW PROPER CHARGING INSTRUCTIONS! DO NOT ATTEMPT TO OPEN THIS BATTERY! If a VRLA battery is opened, it loses its pressure and the plates become oxygen contaminated. THE WARRANTY WILL BE VOIDED IF THE BATTERY IS OPENED.

To charge do the following:

Turn the Key Switch (A) OFF. Unwind the electrical cord from the side of the onboard charger and plug it into a properly grounded outlet. Refer to the OEM product manual for more detailed operating instructions.

IMPORTANT: Make sure you have an appropriate charger for use on Gel cell batteries. Use only "voltage-regulated" or "voltage-limited" chargers. Standard constant current or taper current chargers MUST NOT be used. A temperature-sensing charger is recommended, as manual adjustments are never accurate and will damage any VRLA battery.

VACUUM SHOE MAINTENANCE

Check the vacuum shoes daily. Remove any built-up string, hair or carpet fibers. To remove:

- 1 Press the red Scrub OFF Switch (H). Turn the master Key Switch (A) OFF.
- 2 Remove the Debris Hopper (29).
- 3 The left side shoe must be removed first to allow clearance for the right side shoe to slide out.
- 4 **See Figure 6.** Disconnect the Vacuum Hose (41) from the Vacuum Shoe (10).
- 5 Pull up on the Ring (42) and hold up while pulling the shoe forward and then out of the machine.
- 6 Repeat steps 4 and 5 for the right side vacuum shoe.
- 7 Follow steps in reverse order to reassemble.

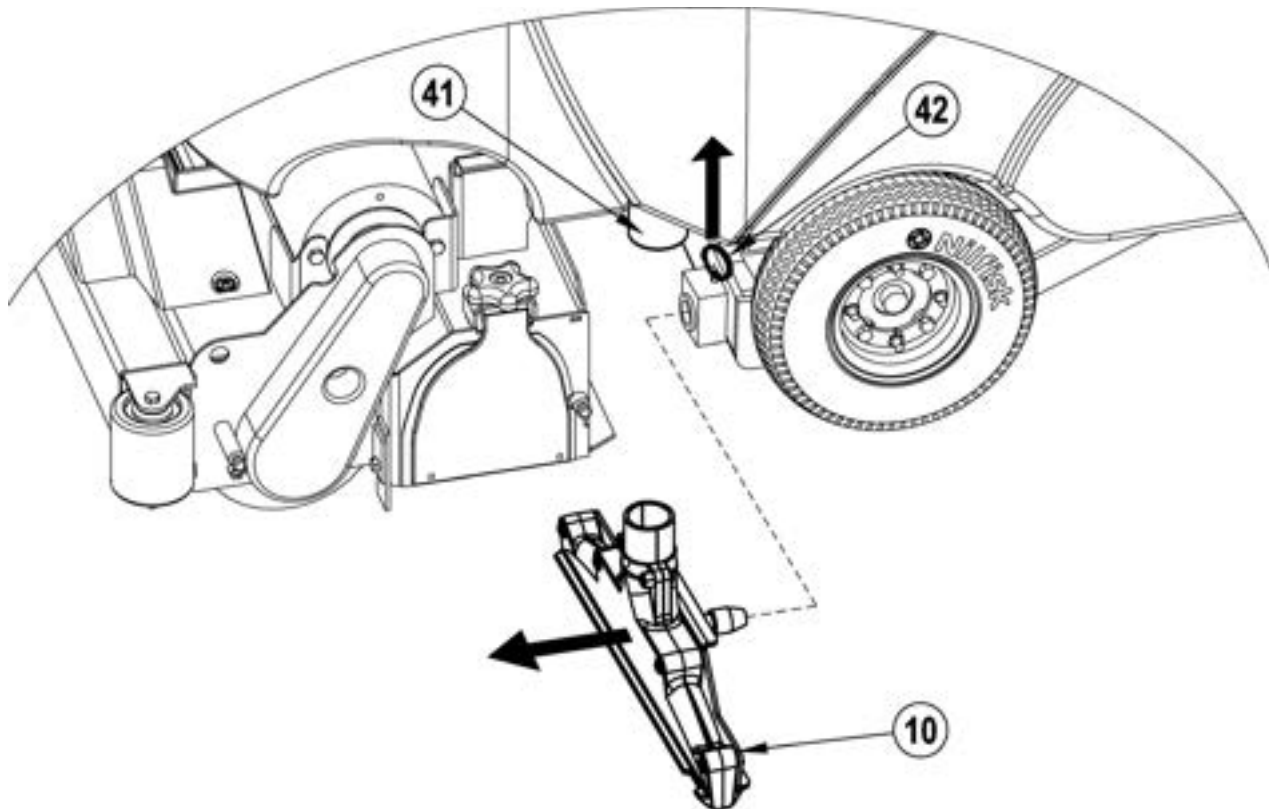
SPRAY NOZZLE MAINTENANCE

Remove the spray nozzles once a week. Soak the nozzles overnight in a vinegar and water solution to remove chemical deposits.

POWER BRUSH MAINTENANCE

Check the brushes daily. Remove any built-up string, hair or carpet fibers. Check the bristle length. Have a service technician change the brush when the brush bristles are worn to 1/2 inch (13 mm).

FIGURE 6



SERVICING THE SQUEEGEE

If the squeegee leaves narrow streaks or water, the blades may be dirty or damaged. Remove the squeegee, rinse it under warm water and inspect the blades. Reverse or replace the blades if they are cut, torn, wavy or worn.

To Reverse or Replace the Rear Squeegee Wiping Blade...

- 1 See Figure 7. Raise the squeegee tool off the floor, and then unsnap the Center Latch (37) on the squeegee tool.
- 2 Remove the Tension Straps (38).
- 3 Slip the rear blade off the Alignment Pins (39).
- 4 The squeegee blade has 4 working edges. Turn the blade so a clean, undamaged edge points toward the front of the machine. Replace the blade if all 4 edges are nicked, torn or worn to a large radius.
- 5 Install the blade, following the steps in reverse order and adjust the squeegee tilt.

To Reverse or Replace the Front Squeegee Blade...

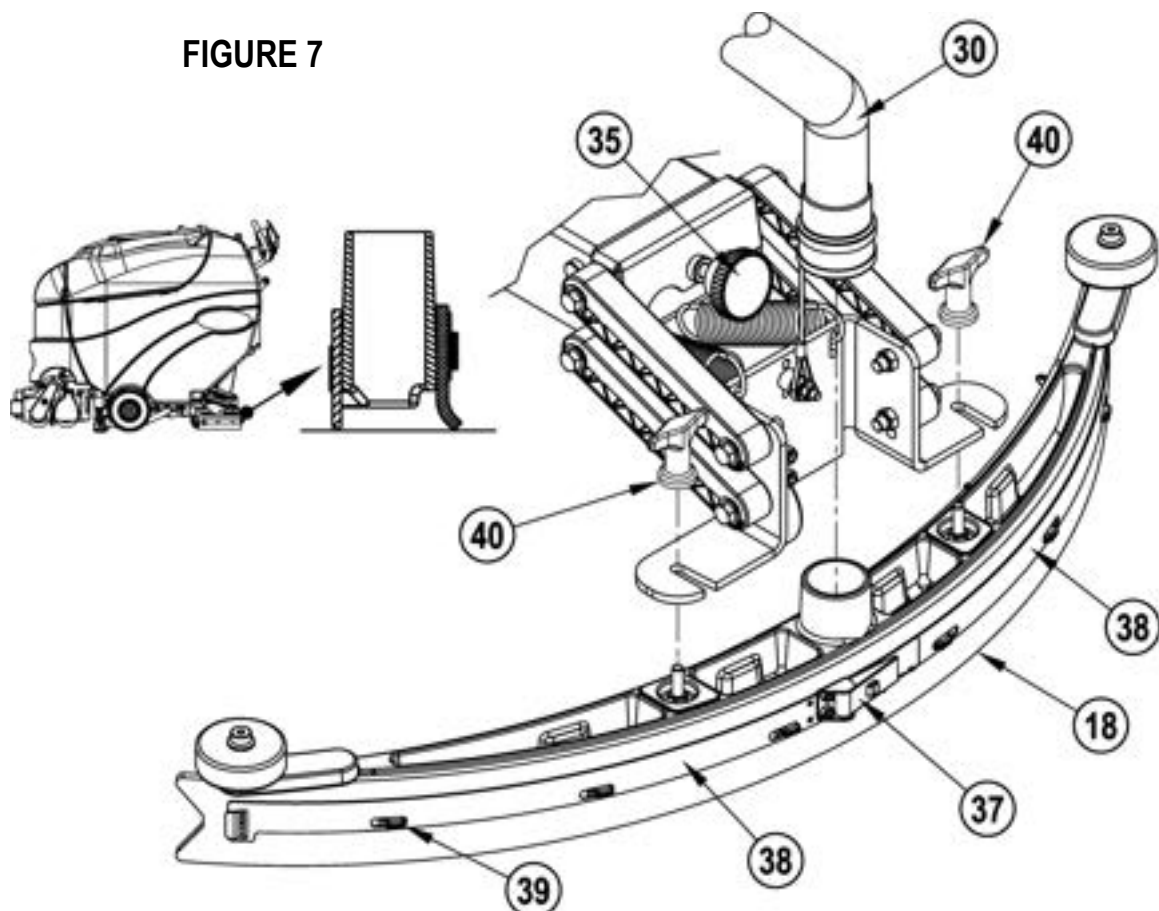
- 1 Raise the squeegee tool off the floor, loosen the (2) Thumb Nuts (40), disconnect the Recovery Hose (30) and remove the Squeegee Assembly (18) from the mount.
- 2 Remove both rear Tension Straps (38) first.
- 3 Remove all the wing nuts that hold the front blade in place, then remove the tension strap and blade.
- 4 The squeegee blade has 4 working edges. Turn the blade so a clean, undamaged edge points toward the front of the machine. Replace the blade if all 4 edges are nicked, torn or worn to a large radius.
- 5 Install the blade, following the steps in reverse order and adjust the squeegee tilt.

ADJUSTING THE SQUEEGEE

Adjust the squeegee angle whenever a blade is reversed or replaced, or if the squeegee is not wiping the floor dry.

To Adjust the Squeegee Angle...

- 1 Park the machine on a flat, even surface and lower the squeegee.
- 2 While moving the machine forward slowly, turn the Squeegee Adjustment Knob (35) until the rear squeegee blade folds over evenly across the entire width of the squeegee as shown below.



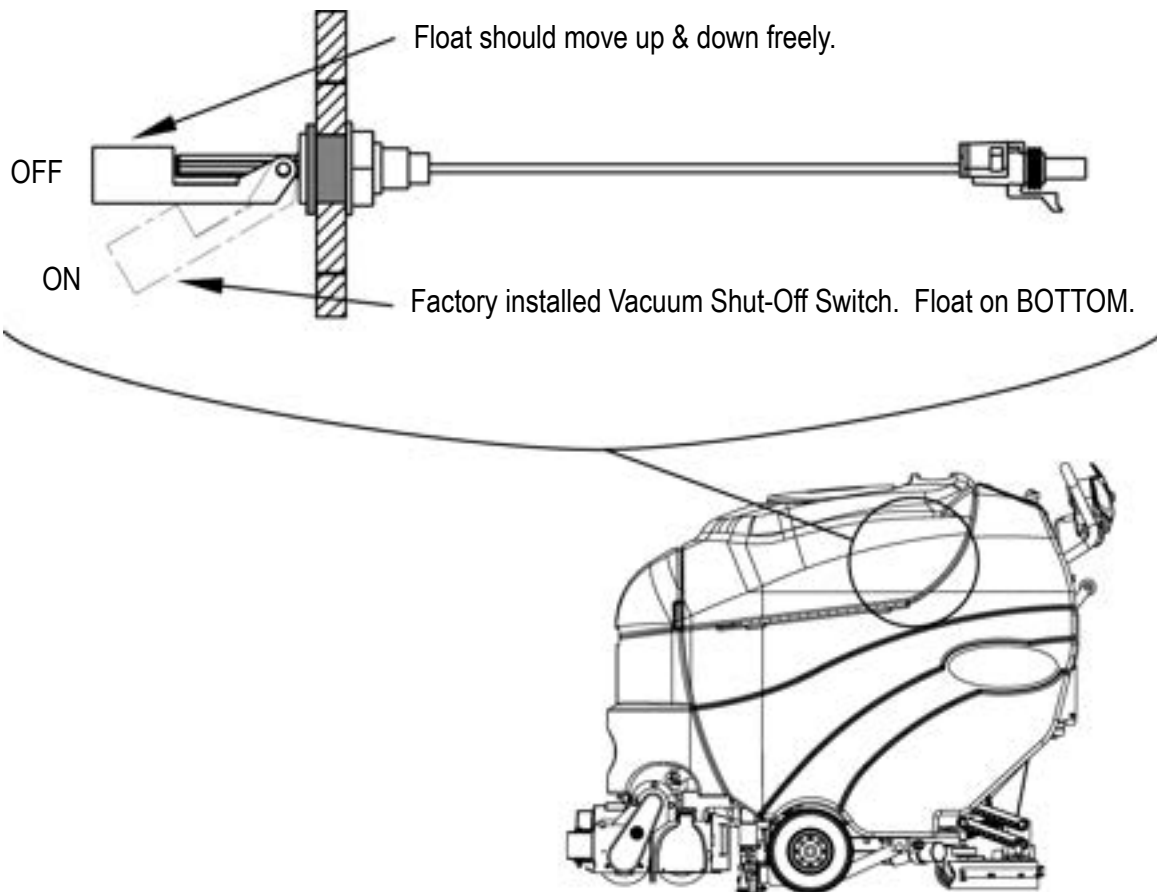
SERVICING THE RECOVERY TANK SWITCH

If the recovery tank float switch becomes dirty it can impair its proper operation. A dirty vacuum shut off switch can cause the vacuum motors to not function at all or to not shut off when the tank is full.

If daily rinsing of the recovery tank does not suffice to keep the switch clean you may need to disassemble it for cleaning. It is very important that it be reassembled correctly in order to function. See Figure 8 for the correct orientation of the switch float arm.

Refer to the service manual for detailed disassembly and cleaning instructions.

FIGURE 8



CIRCUIT BREAKER TRIPPING

Circuit breakers protect electrical circuits and motors from damage due to overload conditions. If a circuit breaker trips, turn the Master Key Switch **(A)** OFF and remove the key. Then try to determine the cause. Once the problem has been corrected, reset the circuit breaker by pushing the button in. If the button does not stay in, wait 5 minutes and try again. If the circuit breaker trips repeatedly, call Nilfisk-Advance for service.

Possible cause for the Control Circuit Breaker **(23)** tripping may be:

- 1 Short circuit in the wiring - have your Nilfisk-Advance Service Technician service the machine

Possible causes for the Wheel Drive Circuit Breaker **(24)** tripping may be:

- 1 Debris wrapped around the drive wheel axle.
- 2 Worn out drive motor bearings.
- 3 Continuous use on ramps.

POOR WATER PICKUP (EXTRACTING)

- 1 Recovery tank full, vacuum shut-off switch activated or dirty.
- 2 Blocked vacuum system (shoes and hoses).
- 3 Disconnected (connected to squeegee instead of extractor shoe port) or damaged vacuum hoses.
- 4 Recovery tank cover gasket damaged or recovery drain hose cap not tightly sealed.

POOR WATER PICKUP (SCRUBBING)

- 1 Recovery tank full, vacuum shut-off switch activated or dirty.
- 2 Blocked vacuum system (squeegee and hoses).
- 3 Disconnected (connected to extractor shoe port instead of squeegee) or damaged vacuum hoses.
- 4 Incorrectly adjusted squeegee.
- 5 Recovery tank cover gasket damaged or recovery drain hose cap not tightly sealed.

SQUEEGEE STREAKS

- 1 Debris under the squeegee blade.
- 2 Worn, nicked or torn squeegee blade.
- 3 Incorrectly adjusted squeegee.

NO SOLUTION FLOW

- 1 No solution in solution tank.
- 2 Solution Shut-Off Valve **(31)** closed.
- 3 Solution Filter **(28)** clogged.
- 4 Spray Nozzles **(15)** and/or **(16)** clogged.

SCRUB DECK RAISES WHILE SCRUBBING

- 1 Debris caught between brushes and brush housing.
- 2 Bad brush Motor bearing.

NO DETERGENT FLOW (AXP/EDS)

- 1 Empty detergent cartridge.
- 2 Plugged or kinked detergent flow line.
- 3 Detergent pump wiring disconnected or wired incorrectly.
- 4 Dry seal cap on detergent cartridge not sealed.

A-24 / ENGLISH

TECHNICAL SPECIFICATIONS (as installed and tested on the unit)

Model		Adphibian™	AX 651 Combi EDS
Model No.		56317000	56317003
Voltage, Batteries	V	24	24
Battery Capacity	Ah	255	255
Protection Grade		IPX3	IPX3
Sound Pressure Level (while extracting) IEC 60335-2-72: 2002 Amend. 1:2005, ISO 11201	dBA	69.0	69.0
Sound Pressure Level (while scrubbing) IEC 60335-2-72: 2002 Amend. 1:2005, ISO 11201	dBA	66	66
Sound Power Level IEC 60335-2-72: 2002 Amend. 1:2005, ISO 3744	Lwa	86.9	86.9
Gross Weight	lbs. / kg	815 / 370	815 / 370
Vibrations at the Hand Controls (ISO 5349-1)	m/s ²	0.33	0.33
Gradeability			
Transport		15.4% (8.3°)	15.4% (8.3°)
Cleaning		12.5% (7.1°)	12.5% (7.1°)

ÍNDICE

	Página
Introducción	B-3
Componentes y servicio	B-3
Placa de identificación	B-3
Desembalaje de la máquina	B-3
Precauciones y advertencias	B-4
Conozca su máquina	B-5 - B-6
Panel de control	B-7 - B-8
Preparación de la máquina para su utilización	
Baterías	B-9
Instalación de los cepillos	B-10
Llenado del depósito de solución	B-10
Pulverización previa de la moqueta	B-11
Planificación de la limpieza	B-11
Instalación de la boquilla	B-11
Sistema de detergente (AXP/EDS™)	B-12 - B-13
Manejo de la máquina	
Operación de extracción	B-14
Operación de fregado	B-14
Uso de accesorios	B-15
Después de la utilización	B-16
Programa de mantenimiento	B-16
Mantenimiento de los motores de aspiración	B-16
Lubricación de la máquina	B-16
Mantenimiento	
Recarga de las baterías (líquido)	B-17
Comprobación del nivel de agua de las baterías	B-17
Recarga de las baterías (gel)	B-17
Mantenimiento de la zapata de aspiración	B-18
Mantenimiento de la boquilla de pulverización	B-18
Mantenimiento del cepillo eléctrico	B-18
Mantenimiento de las boquillas	B-19
Ajuste de las boquillas	B-19
Mantenimiento del interruptor del depósito de recuperación	B-20
Localización de averías	
Disparo de los disyuntores del circuito	B-21
Mala recogida del agua	B-21
Estrías de la boquilla	B-21
No hay flujo de la solución	B-21
La plataforma de limpieza se eleva durante el fregado	B-21
No hay flujo de detergente (AXP/EDS)	B-21
Especificaciones técnicas	B-22

INTRODUCCIÓN

Este manual le ayudará a obtener el máximo rendimiento de su fregador automático/aspirador de moquetas de **Nilfisk-Advance**. Léalo con atención antes de utilizar la máquina.

Nota: Los números y letras que aparecen en negrita entre paréntesis indican elementos ilustrados en las páginas 5-8, si no se indica algo distinto.

Este producto está destinado exclusivamente a uso comercial.

COMPONENTES Y SERVICIO

Las reparaciones, cuando sean necesarias, deben ser realizadas por su Centro Autorizado de Servicio Nilfisk-Advance que utiliza personal de servicio formado en fábrica y lleva un inventario de piezas de repuesto y accesorios Nilfisk-Advance originales.

Llame a Nilfisk-Advance para lo referente a piezas de repuesto y servicio. Por favor, especifique el Modelo y Número de Serie cuando hable de su máquina.

(Distribuidor, coloque aquí la pegatina de su servicio.)

PLACA DE IDENTIFICACIÓN

El Número de Modelo y de Serie de la máquina se indican en la placa de identificación instalada en el compartimento de las baterías. Esta información es necesaria a la hora de solicitar repuestos para la máquina. Utilice el siguiente espacio para anotar el Modelo y el Número de Serie de su máquina para futuras consultas.

Modelo _____

Número de Serie _____

DESEMBALAJE DE LA MÁQUINA

Cuando reciba la máquina, examine con atención el cartón de embalaje y la máquina, con el fin de comprobar si existe algún daño. Si observa algún daño, guarde la caja de embalaje para que se pueda inspeccionar. Póngase en contacto inmediatamente con el Departamento de Servicio al Cliente de Nilfisk-Advance para presentar una reclamación por daños en transporte.

Después de retirar la caja, corte las correas de plástico y retire los bloques de madera que están al lado de las ruedas. **Utilice una rampa para bajar la máquina rodando de la paleta al suelo.**

PRECAUCIONES Y ADVERTENCIAS

SÍMBOLOS

Nilfisk-Advance utiliza los símbolos que aparecen a continuación para indicar situaciones potencialmente peligrosas. Lea cuidadosamente esta información y emprenda las acciones que resulten necesarias para proteger a personas y objetos.

¡PELIGRO!

Se utiliza para advertir de peligros inmediatos que pueden producir graves daños personales o la muerte.

¡ADVERTENCIA!

Se utiliza para llamar la atención sobre una situación que puede causar graves daños personales.

¡PRECAUCIÓN!

Se utiliza para llamar la atención sobre una situación que puede causar daños personales leves o daños a la máquina u otros objetos.



Lea todas y cada una de las instrucciones antes de utilizar el aparato.

INSTRUCCIONES GENERALES DE SEGURIDAD

Se incluyen Precauciones y Advertencias específicas que le advierten de los posibles riesgos de daño a la máquina o daño corporal.

¡ADVERTENCIA!

- * Sólo deben utilizar esta máquina las personas autorizadas y con la formación adecuada.
- * Si se encuentra sobre una rampa o inclinación, evite las paradas bruscas cuando lleve carga. No tome las curvas bruscamente. Utilice una velocidad lenta si va cuesta abajo. Limpie sólo yendo cuesta arriba.
- * Mantenga las chispas, llamas y materiales de fumadores alejados de las baterías. Durante el funcionamiento normal se desprenden gases explosivos.
- * Al recargar las baterías se produce gas de hidrógeno altamente explosivo. Recargue las baterías exclusivamente en zonas bien ventiladas, lejos de llamas sin proteger. No fume mientras recarga las baterías.
- * Qúitese todas las joyas cuando trabaje cerca de componentes eléctricos.
- * Ponga el conmutador en posición de apagado (O) y desconecte las baterías antes de revisar los componentes eléctricos.
- * No trabaje nunca debajo de la máquina sin colocar antes bloques o soportes de seguridad en los que apoyar la máquina.
- * No aplique sustancias limpiadoras inflamables ni utilice la máquina sobre estas sustancias, cerca de ellas, ni en zonas en las que haya líquidos inflamables.
- * No lave la máquina con una limpiadora a presión.
- * No haga funcionar esta máquina en rampas o en pendientes superiores al 2 por ciento.
- * Use solamente los cepillos suministrados junto con el aparato o aquellos especificados en el manual de instrucciones. El uso de otros cepillos puede afectar a la seguridad.

¡PRECAUCIÓN!

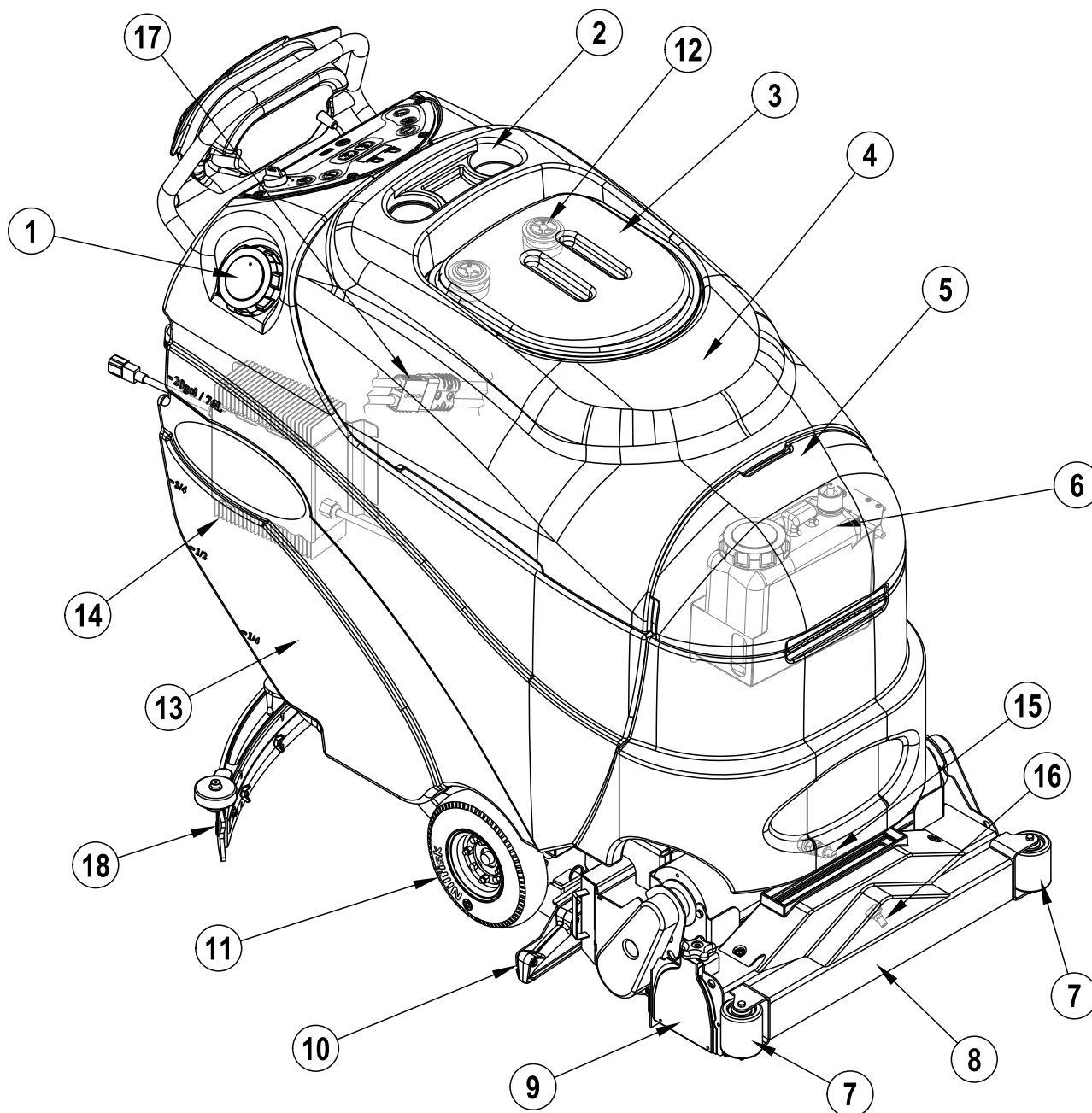
- * Esta máquina no ha sido aprobada para su uso en vías públicas.
- * Esta máquina no es apta para la recogida de polvo peligroso.
- * Cuando utilice la máquina, asegúrese de que no existe peligro para terceras personas, especialmente niños.
- * Antes de proceder a cualquier función de servicio, lea con atención todas las instrucciones relativas a dicha función.
- * No deje la máquina sin vigilancia sin antes haber puesto el conmutador en posición de apagado (O), haber quitado la llave y haber aplicado el freno de estacionamiento.
- * Apague el conmutador de llave (O) y quite la llave antes de cambiar los cepillos y antes de abrir cualquiera de los paneles de acceso.
- * Tome las debidas precauciones para evitar que el pelo, las joyas o las prendas sueltas queden atrapados entre los componentes móviles.
- * Tome las precauciones adecuadas cuando esté moviendo esta máquina mientras hiela. El agua de la solución, los depósitos de recuperación o detergente y de las tuberías puede congelarse, causando daños a las válvulas y accesorios. Limpie con limpiaparabrisas.
- * Retire las baterías de la máquina antes de su desguace. Las baterías deben desecharse de forma segura, de acuerdo con la reglamentación medioambiental local.
- * No utilice la máquina en superficies con pendientes superiores a las indicadas en la máquina.
- * Antes de utilizar la máquina, todas las puertas y cubiertas deberían estar colocadas como se indica en el manual de instrucciones.
- * Consulte el manual del producto OEM del cargador de batería para obtener advertencias adicionales sobre el cargador de batería específico.

GUARDE ESTAS INSTRUCCIONES

CONOZCA SU MÁQUINA

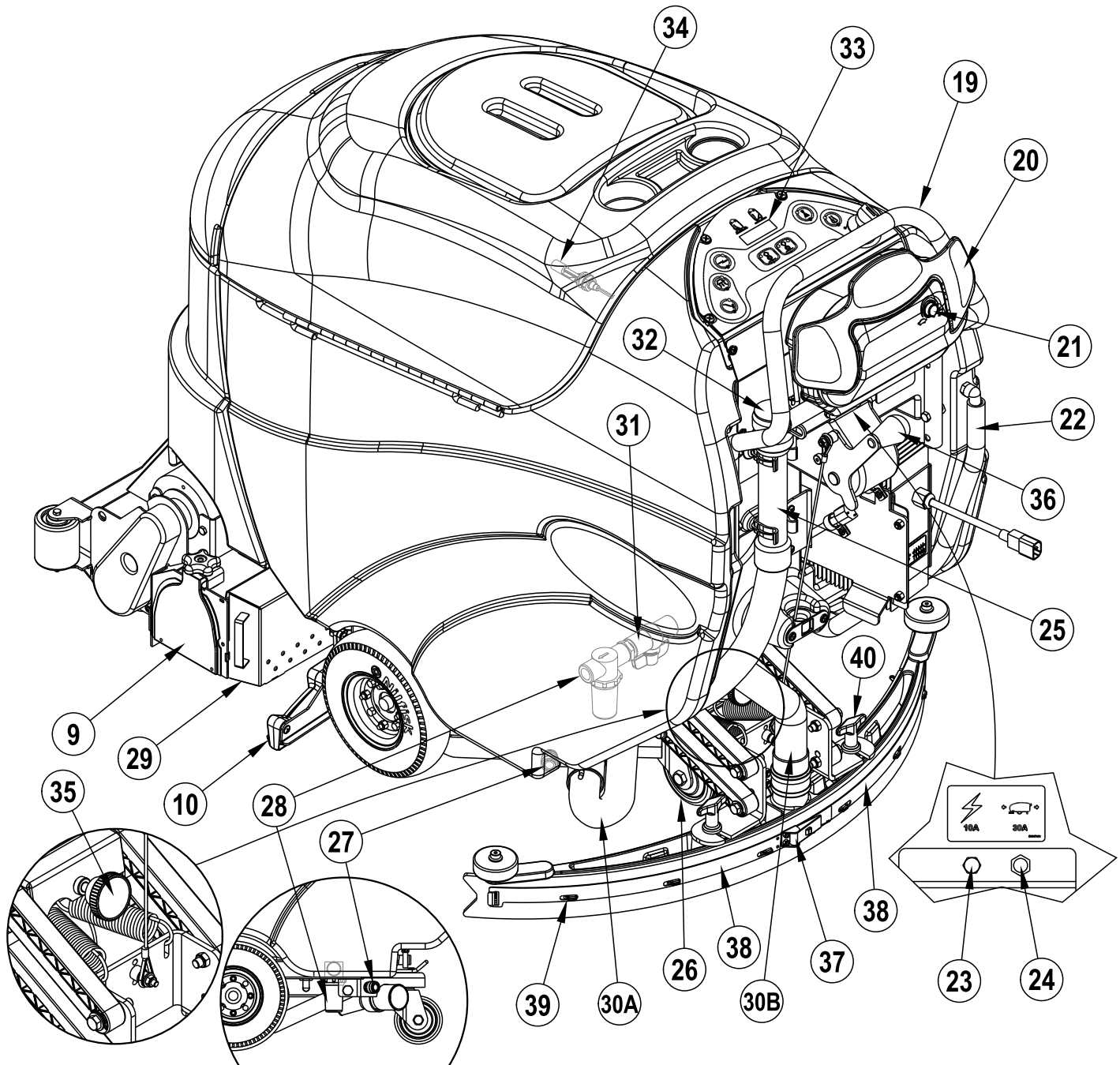
A lo largo de este manual encontrará números o letras en negrita entre paréntesis – por ejemplo: **(2)**. Estas indicaciones se refieren a un objeto que se muestra en las siguientes 4 páginas, a menos que se indique algo distinto. Consulte estas páginas siempre que lo necesite para localizar los elementos citados en el texto. **NOTA:** Consulte el manual de servicio para obtener explicaciones más detalladas de cada objeto ilustrado en las siguientes 4 páginas.

- | | | | |
|---|--|----|--|
| 1 | Tapón de llenado de la solución | 10 | Zapatas de extracción |
| 2 | Portabotellas | 11 | Rueda motriz |
| 3 | Tapa del depósito de recuperación | 12 | Cribas de entrada del motor de aspiración |
| 4 | Depósito de recuperación | 13 | Depósito de solución |
| 5 | Cubierta de acceso al cartucho de detergente (AXP/EDS) | 14 | Cargador de batería a bordo |
| 6 | Cartucho de detergente (AXP/EDS) | 15 | Boquilla de pulverización de baja humedad LIFT |
| 7 | Rodillos de la plataforma de limpieza | 16 | Boquilla de mantenimiento de restauración |
| 8 | Plataforma de limpieza | 17 | Conector del conjunto de baterías |
| 9 | Conjunto tensor | 18 | Conjunto de boquillas |



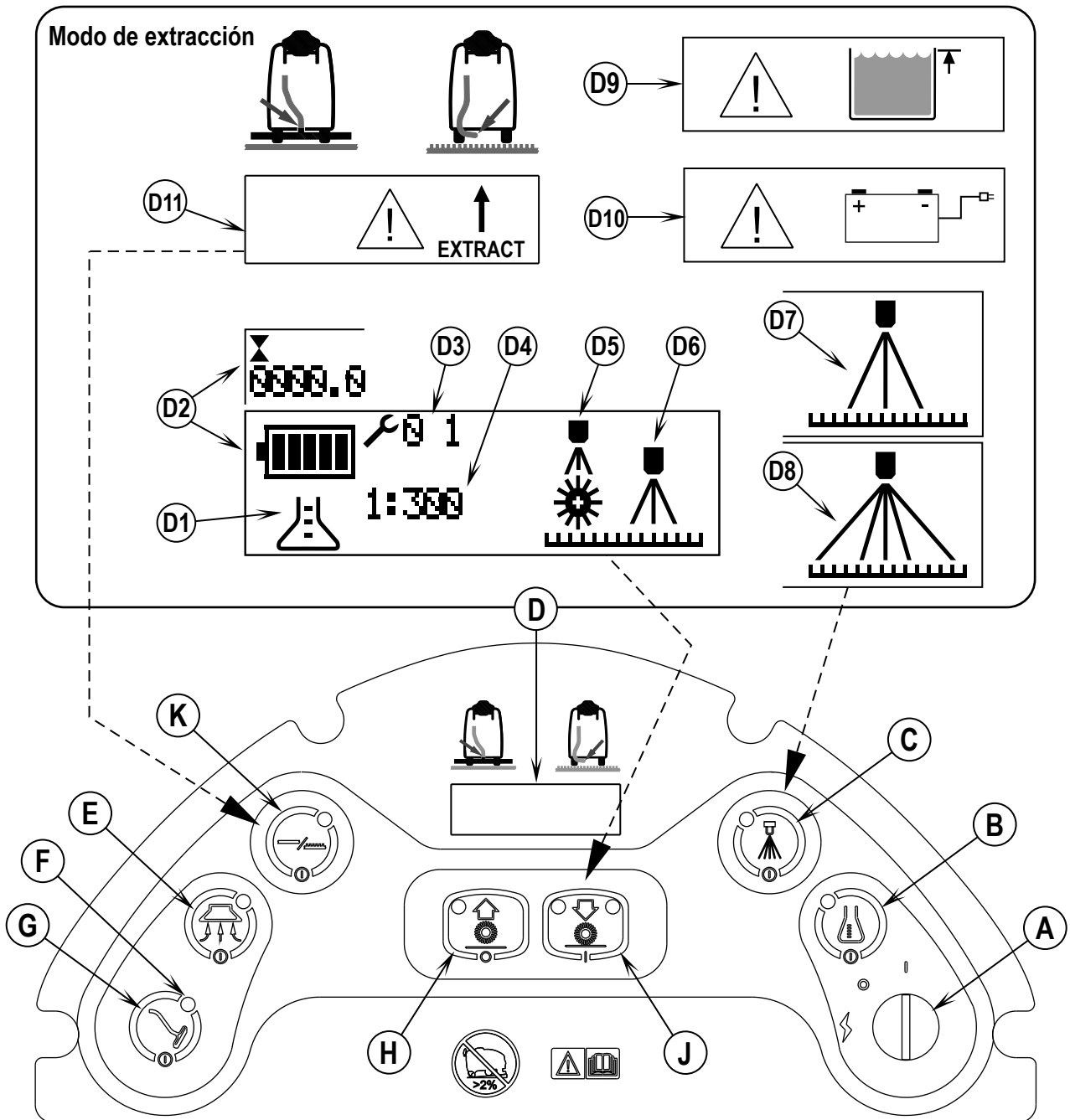
CONOZCA SU MÁQUINA

- | | | | |
|-----|--|-----|---|
| 19 | Asa de control del operario | 30B | Tubería de recuperación de aspiración (posición de fregado) |
| 20 | Paleta de tracción | 31 | Válvula de cierre de la solución |
| 21 | Botón de control de la velocidad | 32 | Tapa de la tubería de drenaje de recuperación |
| 22 | Tubería de drenaje de la solución/indicador de nivel | 33 | Panel de control |
| 23 | Disyuntor del circuito de control de 10 A | 34 | Interruptor de apagado de la aspiración |
| 24 | Disyuntor del motor de tracción de 30 A | 35 | Botón de ajuste de boquillas |
| 25 | Tubería de drenaje del depósito de recuperación | 36 | Palanca de elevación/bajada de boquillas |
| 26 | Roldana trasera | 37 | Pestillo de la cuchilla de las boquillas |
| 27 | Puerto de accesorios | 38 | Correa de tensión de la cuchilla de las boquillas |
| 28 | Filtro de la solución | 39 | Pasadores de alineación de la cuchilla de las boquillas |
| 29 | Tolva de residuos | 40 | Tuerca de palomilla de montaje de las boquillas |
| 30A | Tubería de recuperación de aspiración (posición de extracción) | | |



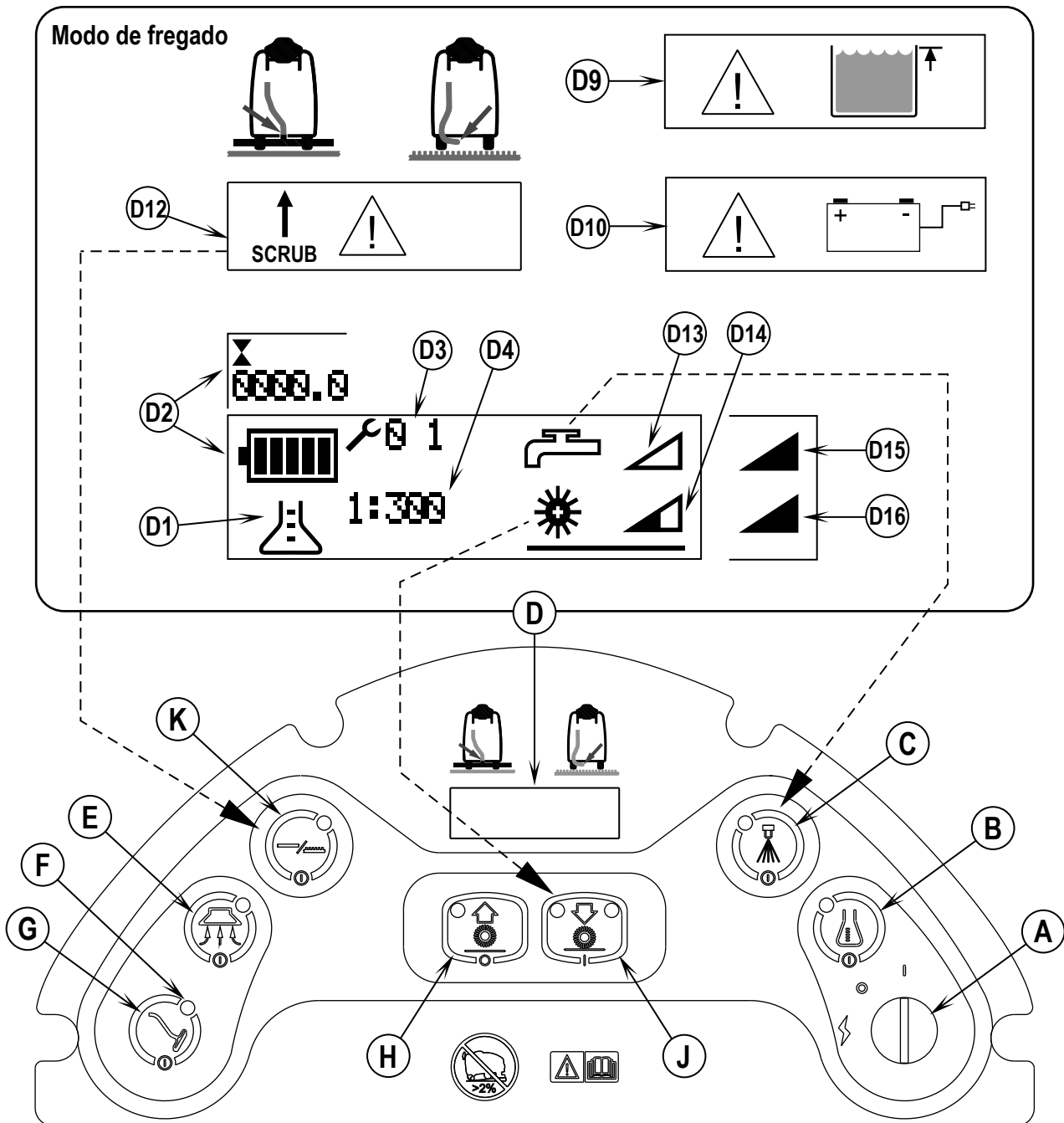
PANEL DE CONTROL - 1

- | | | | |
|----|---|-----|---|
| A | Interruptor de contacto | D8 | Modo de pulverización previa fuerte |
| B | Sistema de detergente | D9 | Indicador de llenado del depósito de recuperación |
| C | Interruptor de solución /pulverización previa | D10 | Indicador de batería baja |
| D | Panel de visualización | D11 | Indicador de modo de extracción |
| D1 | Indicador AXP/EDS | E | Interruptor de aspiración |
| D2 | Cronómetro/indicador de batería | F | Indicador de códigos de error de control de velocidad |
| D3 | Indicador de errores | G | Interruptor de varilla |
| D4 | Indicador de mezcla de detergente AXP/EDS | H | Interruptor de apagado del fregado (rojo) |
| D5 | Indicador de modo de extracción de de baja humedad LIFT | J | Interruptor de encendido del fregado (verde) |
| D6 | Indicador de modo de extracción de restauración | K | Interruptor de modo de suelo (naranja) |
| D7 | Modo de pulverización previa rápida | | |



PANEL DE CONTROL - 2

- | | | | |
|-----|---|-----|---|
| A | Interruptor de contacto | D13 | Indicador de apagado de la solución |
| B | Sistema de detergente | D14 | Indicador de la presión de fregado baja |
| C | Interruptor de solución /pulverización previa | D15 | Indicador de activación de solución |
| D | Panel de visualización | D16 | Indicador de presión de fregado alta |
| D1 | Indicador AXP/EDS | E | Interruptor de aspiración |
| D2 | Cronómetro/indicador de batería | F | Indicador de códigos de error de control de velocidad |
| D3 | Indicador de errores | G | Interruptor de varilla |
| D4 | Indicador de mezcla de detergente AXP/EDS | H | Interruptor de apagado del fregado (rojo) |
| D9 | Indicador de llenado del depósito de recuperación | J | Interruptor de encendido del fregado (verde) |
| D10 | Indicador de batería baja | K | Interruptor de modo de suelo (naranja) |
| D12 | Indicador de modo de fregado | | |



BATERÍAS

Si su máquina se entrega con baterías instaladas, realice lo siguiente:

- Compruebe que las baterías estén conectadas a la máquina (17).
- Encienda el conmutador de llave (A) y compruebe el indicador de batería (D2). Si el indicador está completamente lleno, las baterías están listas para el uso. Si el indicador no está lleno, las baterías deberían cargarse antes de la utilización. Consulte la sección "Recarga de las baterías".
- **¡IMPORTANTE!: SI SU MÁQUINA ESTÁ EQUIPADA CON UN CARGADOR DE BATERÍA A BORDO, CONSULTE EL MANUAL DEL PRODUCTO DEL FABRICANTE ORIGINAL PARA OBTENER INSTRUCCIONES SOBRE EL AJUSTE DEL CARGADOR PARA EL TIPO DE BATERÍA (CONSULTE LA TABLA).**

Si su máquina se entrega sin baterías instaladas, realice lo siguiente:

- Consulte con su distribuidor autorizado Nilfisk-Advance en cuanto a las baterías recomendadas.
- Instale las baterías siguiendo las instrucciones indicadas a continuación.
- **NO instale dos baterías de 12 voltios en su máquina. Esto afectará a la estabilidad de la máquina.**
- **¡IMPORTANTE!: SI SU MÁQUINA ESTÁ EQUIPADA CON UN CARGADOR DE BATERÍA A BORDO, CONSULTE EL MANUAL DEL PRODUCTO DEL FABRICANTE ORIGINAL PARA OBTENER INSTRUCCIONES SOBRE EL AJUSTE DEL CARGADOR PARA EL TIPO DE BATERÍA (CONSULTE LA TABLA).**

AH/Índice	MFG	Algoritmo
255	Discover	43
251	US	72
180	DEKA(gel)	6
201 / 195	US / Trojan	11 / 3
235	US / Trojan	11 / 3



¡ADVERTENCIA!

Tome las máximas precauciones cuando trabaje con las baterías. El ácido sulfúrico de las baterías puede causar daños graves si entra en contacto con la piel o con los ojos. Desde el interior de las baterías se libera gas explosivo de hidrógeno a través de unas aperturas en las tapas de las baterías. Este gas puede incendiarse con cualquier arco eléctrico, chispa o llama. No instale baterías de plomo-ácido en un contenedor cerrado. El gas de hidrógeno debido a la sobrecarga debe poder liberarse.

Cuando revise las baterías...

- * Qúitese todas las joyas
- * No fume
- * Lleve gafas de seguridad, un delantal de goma y guantes de goma
- * Trabaje en una zona bien ventilada
- * No permita que las herramientas toquen simultáneamente más de un terminal de batería
- * Al sustituir las baterías, desconecte SIEMPRE en primer lugar el cable (de tierra) negativo para evitar chispas.
- * Al instalar las baterías, conecte SIEMPRE el cable negativo al final.

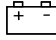



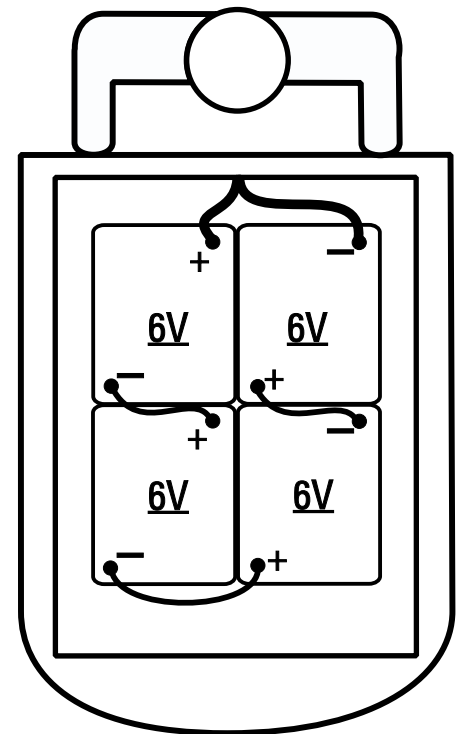
¡PRECAUCIÓN!

Los componentes eléctricos de esta máquina pueden dañarse seriamente si las baterías no están instaladas o conectadas correctamente. Las baterías deben ser instaladas por Nilfisk-Advance, un electricista cualificado o el fabricante de las baterías.

- 1 Retire las baterías de su caja de embalaje e inspecciónelas para ver si existen grietas u otros daños. Si los daños son evidentes, póngase en contacto inmediatamente con el transportista que se las entregó para presentar una reclamación por daños en transporte.
- 2 Apague el conmutador principal de llave (A) y quite la llave.
- 3 Inclíne el depósito de recuperación hacia la posición lateral cerrada. Retire los cables de la batería del interior del compartimento de las baterías.
- 4 Su máquina viene de fábrica con suficientes cables para instalar cuatro baterías de 6 voltios. Levante las baterías con cuidado para meterlas en el compartimento de las baterías y colóquelas exactamente como se muestra en la FIGURA 1. Ponga las baterías tan cerca de la parte trasera de la máquina como pueda.
- 5 Instale los cables de las baterías como se muestra. Ponga los cables de forma que las cubiertas de las baterías puedan retirarse fácilmente para el mantenimiento de las baterías.
- 6 Apriete con cuidado las tuercas de los terminales de las baterías hasta que el terminal no gire. No apriete demasiado los terminales; de lo contrario será muy difícil retirarlos en futuras operaciones de mantenimiento.
- 7 Bañe los terminales con revestimiento para terminales de baterías en pulverizador (disponible en la mayoría de las tiendas de material para coches).
- 8 Ponga un manguito de goma negro encima de cada terminal y conecte el conector del conjunto de las baterías (17).

FIGURA 1

255 AH @ 20 HR RATE
(4)  MAX  156KG/344LB



56016688

INSTALACIÓN DE LOS CEPILLOS

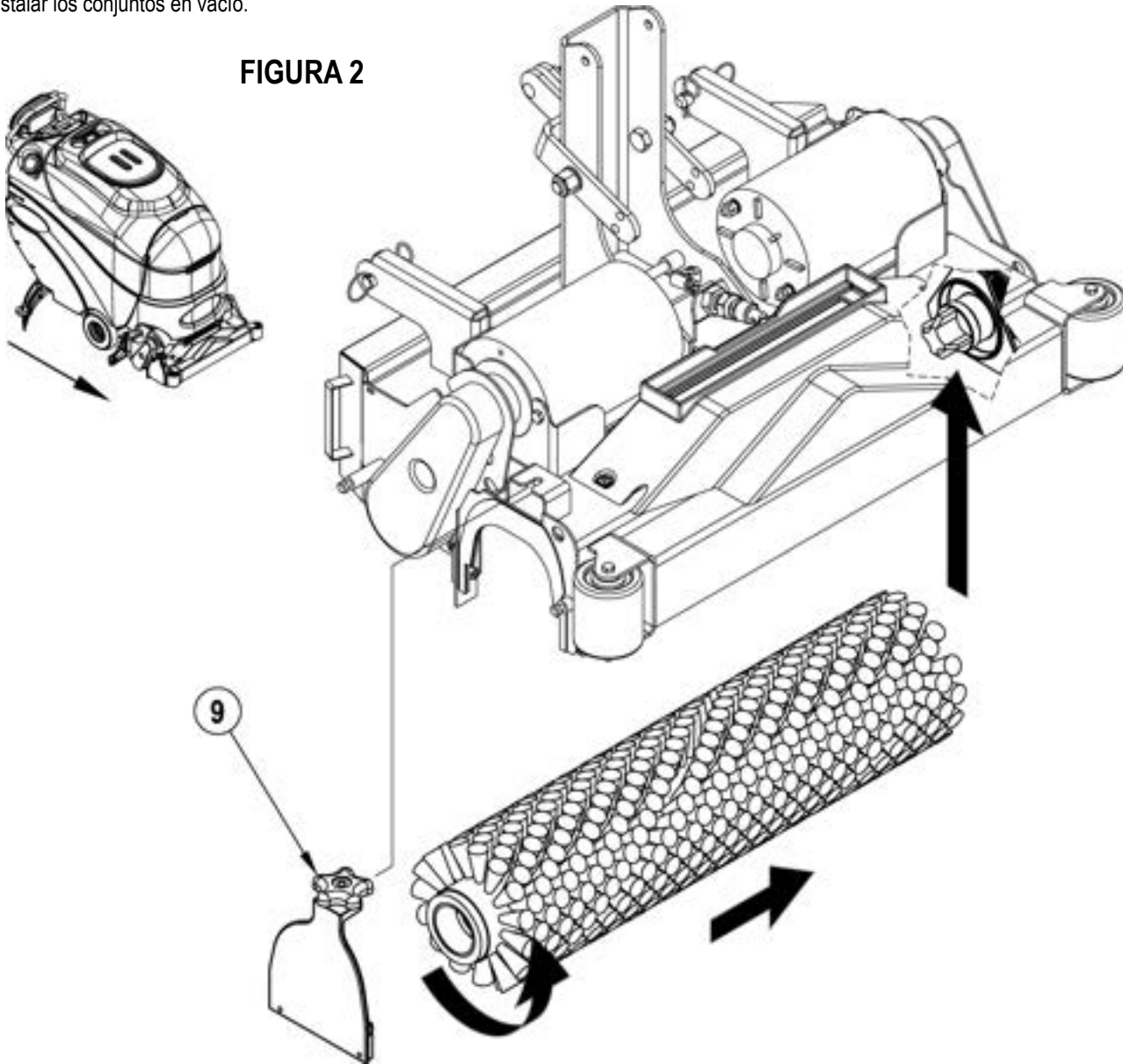


¡PRECAUCIÓN!

Apague el conmutador de llave (O) y quite la llave antes de cambiar los cepillos y antes de abrir cualquiera de los paneles de acceso.

- 1 Asegúrese de que el portacepillos se encuentre en la posición ELEVADA. Asegúrese de que está apagado (O) el conmutador de llave (A).
- 2 **Ver la Figura 2.** -Para acceder a los cepillos, afloje los botones negros (uno a cada lado) que están en la parte superior de los conjuntos en vacío (9) y retire los conjuntos. Deslice el cepillo en el contenedor, levante ligeramente, empuje y gire hasta que se asiente. Vuelva a instalar los conjuntos en vacío.

FIGURA 2



LLENADO DEL DEPÓSITO DE SOLUCIÓN

Llene el depósito de solución con 20 galones (76 Litros) de solución limpiadora como máximo. No llene el depósito de solución por encima de 7,5 cm (3 pulgadas) de la parte inferior del depósito (1). Utilice el indicador de nivel de la solución (22) para monitorizar el nivel de la solución al realizar el llenado. La solución debe ser una mezcla de agua y el limpiador químico apropiado para la aplicación. Siga siempre las instrucciones que aparecen en la etiqueta del envase del producto químico. **NOTA:** las máquinas pueden utilizarse normalmente con el detergente mezclado en el depósito de solución o con el sistema de aplicación de detergente AXP/EDS. Al utilizar el sistema de aplicación de detergente AXP/EDS, no mezcle detergente en el depósito; utilice agua.



¡PRECAUCIÓN!

Utilice únicamente detergentes líquidos no inflamables de bajo poder espumante que estén diseñados para aplicaciones de fregado automático. La temperatura del agua no deberá superar los 130 grados Fahrenheit (54,4 grados Celsius)

ANTES DE UTILIZAR EL ADPHIBIAN™ / AX 651 COMBI EDS PARA EXTRACCIÓN

Aspire completamente la moqueta que va a limpiar antes de utilizar el aspirador de moquetas automático Adphibian/AX 651 Combi EDS.

PULVERIZACIÓN PREVIA DE LA MOQUETA

El Adphibian/AX 651 Combi EDS en modo de extracción tiene una función de pulverización previa. Pulverice previamente las manchas y las zonas por las que más se circula. Para los suelos muy sucios, puede que una operación de fregado de una sola pasada no sea suficiente, por lo que puede ser necesaria una operación de "pulverización previa". Esta operación es igual al fregado de una sola pasada, excepto que en la primera pasada las zapatas de aspiración están elevadas y los motores de aspiración están apagados. Esto permite que la solución/detergente de limpieza permanezca más tiempo en el suelo. La última pasada se hace sobre la misma zona, con las zapatas de aspiración bajadas y los motores de aspiración encendidos para recoger la solución acumulada.

- 1 El sistema de fregado debe estar en la posición de apagado.
- 2 Presione el interruptor de modo de suelo naranja (K) hasta que la pantalla muestre (D11), lo que indica que se ha seleccionado el modo de extracción.
- 3 Presione el interruptor de solución/pulverización previa (C); la pantalla (D7) indicará el modo de pulverización previa rápida. La plataforma de limpieza se bajará y se habilitarán los sistemas de solución y detergente. Las zapatas de extracción (10) permanecerán elevadas.
- 4 Empuje la paleta de tracción (20) hacia adelante para poner en marcha los cepillos y la solución/detergente.
- 5 Presione el interruptor de solución/pulverización previa (C) para salir del modo de pulverización previa. Se detendrán los cepillos y el flujo de solución/detergente. Se levantará la plataforma de limpieza.
- 6 Si desea más solución. Presione el interruptor de encendido de fregado verde (J) (en el modo de pulverización previa rápida) para pasar al modo de pulverización previa fuerte. La pantalla (D8) indicará que se ha seleccionado el modo de pulverización previa fuerte. En este modo la máquina se mueve más despacio y se pulveriza más solución sobre la moqueta.

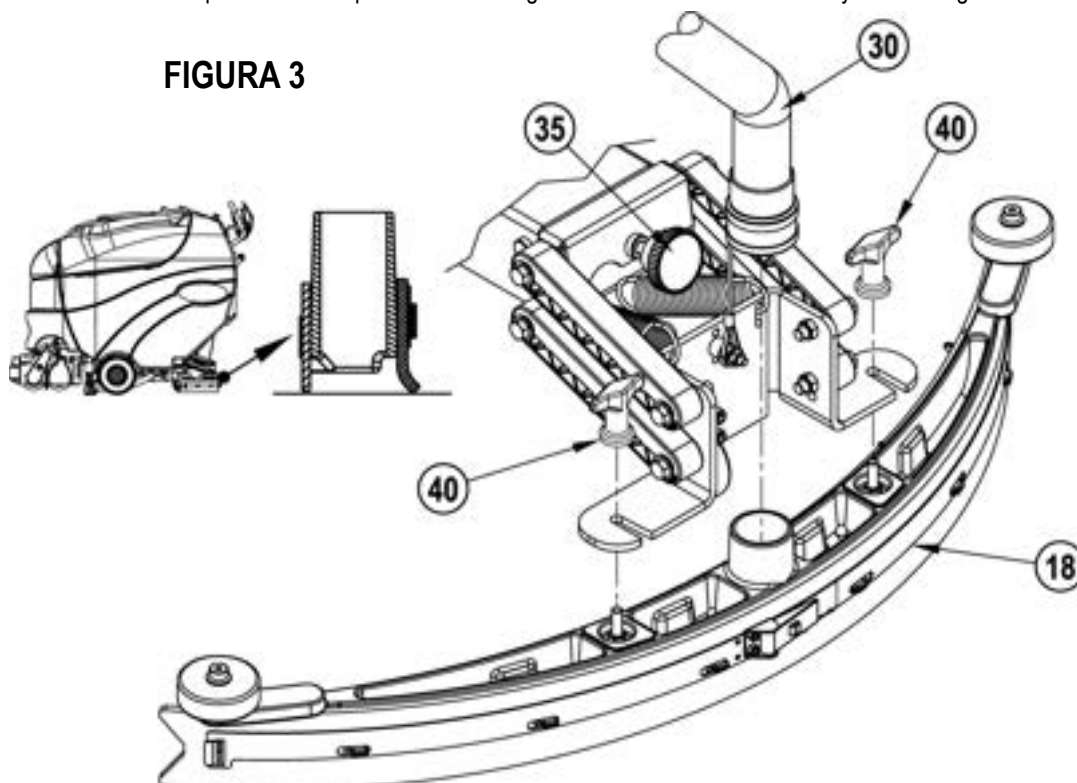
PLANIFICACIÓN DE LA LIMPIEZA

Antes de empezar a aspirar, observe la zona que va a limpiar y planifique su trabajo. Divida el espacio en secciones. Debe solapar los tramos unos 5 cm.

INSTALACIÓN DE LA BOQUILLA

- 1 Ver la Figura 3. Deslice en conjunto de la boquilla (18) sobre la abrazadera de montaje de la boquilla y apriete las tuercas de palomilla de montaje de la boquilla (40).
- 2 Conecte la tubería de recuperación (30) a la entrada de la boquilla.
- 3 Baje la boquilla, desplace la máquina hacia delante y ajuste la inclinación de la boquilla utilizando el botón de ajuste de la boquilla (35), de modo que la cuchilla de la boquilla trasera toque el suelo homogéneamente en toda la anchura y se doble ligeramente como se muestra.

FIGURA 3



REPARACIÓN Y USO DEL SISTEMA DE DETERGENTE (AXP/EDS)

INSTRUCCIONES COMUNES:

Si se presiona y se suelta el interruptor de detergente (B) mientras el sistema de la solución está activo, el sistema de detergente se encenderá y apagará alternativamente. Elimine del sistema el detergente anteriormente utilizado antes de cambiar a un detergente diferente. **NOTA DE SERVICIO:** Desplace la máquina sobre un punto de drenaje en el suelo antes de eliminar el detergente porque saldrá una pequeña cantidad durante el proceso.

Purgar al cambiar productos químicos:

- 1 Desconecte y retire el cartucho de detergente.
- 2 Encienda el interruptor de contacto (A) y presione el interruptor de detergente (B) y el interruptor de solución/pulverización previa (C) durante al menos 2 segundos. **NOTA:** Una vez activado, el proceso de purga lleva 30 segundos. Consulte los indicadores del sistema de detergente en la ilustración de la página siguiente. Por lo general, un ciclo de purga es adecuado para purgar el sistema.

Purgar semanalmente:

- 1 Desconecte y retire el cartucho de detergente. Instale y conecte un cartucho lleno de agua limpia.
- 2 Encienda el interruptor de contacto (A) y presione el interruptor de detergente (B) y el interruptor de solución/pulverización previa (C) durante al menos 2 segundos. **NOTA:** Una vez activado, el proceso de purga lleva 30 segundos. Consulte los indicadores del sistema de detergente en la ilustración de la página siguiente. Por lo general, un ciclo de purga es adecuado para purgar el sistema.

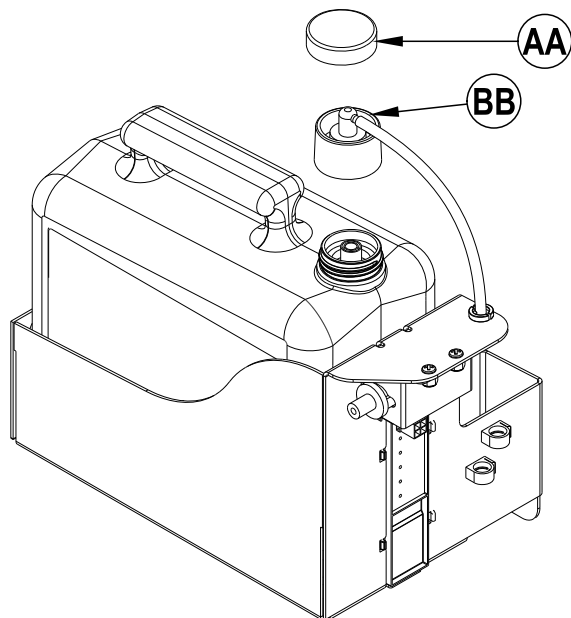
Cuando el cartucho de detergente esté casi vacío se encenderá un indicador del panel de visualización (D1). Este indicador de "detergente bajo" permanecerá encendido hasta que reinicie el sistema. Cuando se encienda este indicador, sólo tiene que verter una botella completa de un galón (3,7 litros) de detergente en el cartucho para rellenarlo sin preocuparse de las medidas. **NOTA:** Reinicie el sistema sólo cuando el cartucho esté lleno. Al cambiar de cartuchos, el indicador de "detergente bajo" sólo es exacto si el cartucho de sustitución está al mismo nivel que el cartucho sustituido.

Para reiniciar:

- 1 Encienda el conmutador de llave (A) y mantenga pulsado el conmutador de detergente (B) durante 2 segundos. Consulte los indicadores del sistema de detergente en la ilustración de la página siguiente.

INSTRUCCIONES ESPECÍFICAS DEL CARTUCHO NO RELLENABLE:

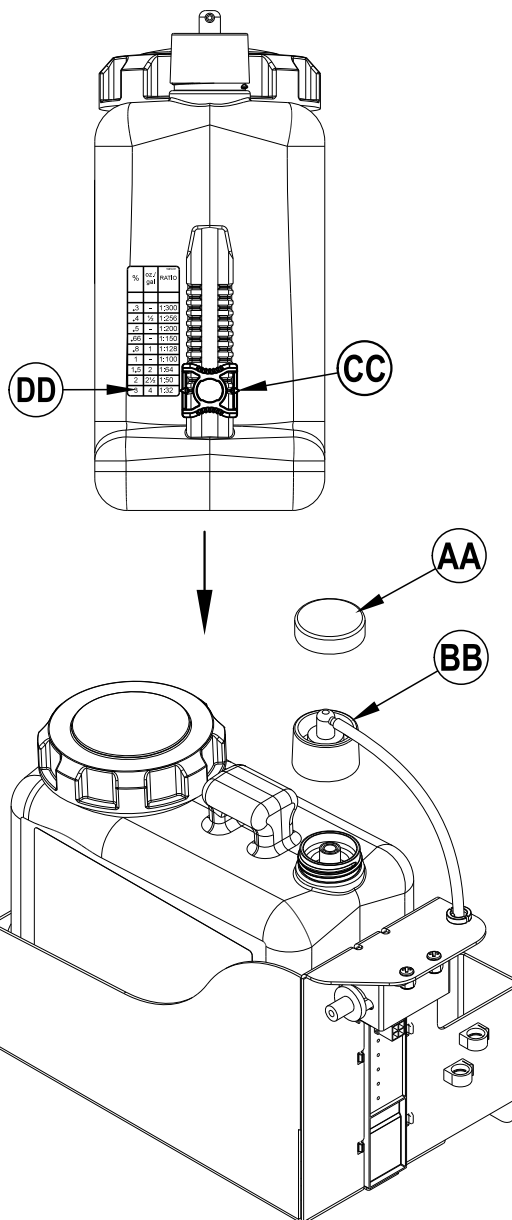
Retire la tapa (AA) y coloque el cartucho en la caja de detergente. Instale la tapa sellada (BB) como se muestra.



INSTRUCCIONES ESPECÍFICAS DEL CARTUCHO RELLENABLE:

Llene el cartucho de detergente con 1,25 galones (4,73 litros) como máximo. **NOTA DE SERVICIO:** Retire el cartucho de la caja de detergente antes de llenarlo para no derramar detergente en la máquina.

Se recomienda utilizar un cartucho individual por cada detergente que prevea usar. Los cartuchos de detergente tienen una pegatina blanca de modo que puede escribir el nombre del detergente en cada cartucho para no mezclarlos. El cartucho de detergente tiene un deslizador magnético (CC) en un extremo el cual debe ajustarse a la cantidad de mezcla adecuada de acuerdo con las instrucciones descritas en la botella del fabricante. Coloque el deslizador magnético (CC) en la posición adecuada en la pegatina de cantidad de mezcla de detergente (DD). Al instalar un nuevo cartucho, retire la tapa (AA) y coloque el cartucho en la caja de detergente. Instale la tapa sellada (BB) como se muestra.



REPARACIÓN Y USO DEL SISTEMA DE DETERGENTE (AXP/EDS)



DETERGENTE ENCENDIDO



DETERGENTE APAGADO



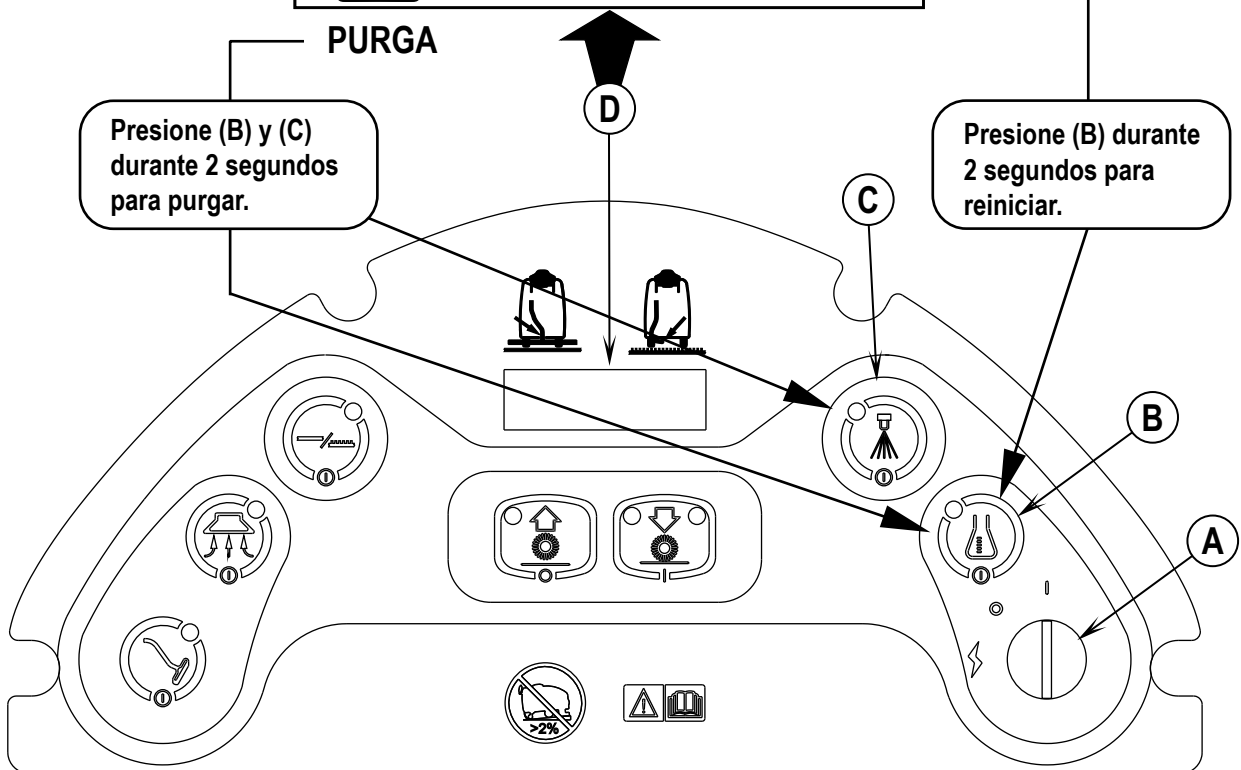
LLENO (REINICIO)



DETERGENTE BAJO



PURGA



FUNCIONAMIENTO DE LA MÁQUINA



¡ADVERTENCIA!

Asegúrese de que comprende los controles del operador y sus funciones.

Al circular sobre una rampa o inclinación, evite las paradas bruscas cuando lleve carga. No tome las curvas bruscamente. Utilice una velocidad lenta si va cuesta abajo. Si está en una rampa, limpie solo al subir la misma.

- 1 Siga las instrucciones de la sección "Preparación de la máquina para el uso" de este manual.
- 2 Encienda (I) el interruptor de contacto principal (A). Se encenderán las luces indicadoras del panel de control. El cronómetro se mostrará durante 5 segundos seguido por el indicador de batería en la parte superior izquierda del panel de visualización (D2).
- 3 Para llevar la máquina a la zona de trabajo, empuje la paleta de tracción (20) hacia delante o tire de la paleta de tracción (20) hacia atrás para desplazar la máquina marcha atrás. Varíe la presión sobre la paleta de tracción (20) para obtener la velocidad deseada.
NOTA: el botón de control de velocidad (21) se utiliza para controlar la velocidad máxima, tanto en marcha adelante como marcha atrás.

Extracción

- 4a Con la plataforma de limpieza elevada (APAGADA), presione el interruptor de modo de suelo naranja (K) hasta que en la pantalla aparezca (D11). La pantalla muestra (D11) para indicar que se ha seleccionado el modo de extracción, y también para avisar al operador de que conecte la tubería de recuperación de aspiración (30A) al puerto de la zapata del extractor para la extracción. **NOTA:** las boquillas pueden retirarse durante la extracción, si así se desea.
- 4b Presione el interruptor de encendido de fregado (J) una vez para extracción LIFT (D5), o dos veces para el modo de extracción de restauración (D6).
Modo de baja humedad LIFT: flujo de solución inferior, velocidad de desplazamiento superior. Recomendado para limpieza frecuente y si se necesitan tiempos de secado rápidos.
Modo de restauración: flujo de solución superior, velocidad de desplazamiento inferior. Recomendado para una limpieza en profundidad menos frecuente. Cuando se presione, la plataforma de limpieza y las zapatas del extractor bajarán. **NOTA:** Los sistemas de solución, aspiración y detergente se activan automáticamente cuando se pulsa el interruptor de encendido del fregado (J) verde. Es posible apagar o volver a encender cualquier sistema individual con solo presionar su interruptor en cualquier momento durante la extracción.
- 4c Cuando la paleta de tracción (20) está en la posición neutra, los sistemas de fregado, aspiración, solución y detergente están activados pero no están en funcionamiento. Tome el asa de control del operador (19) y empuje la paleta de tracción (20) hacia delante para encender ambos motores de fregado, aplicar solución y detergente y mover la máquina hacia delante. El Adphibian/AX 651 se mueve a una velocidad preprogramada para lograr resultados de limpieza óptimos. Presione el interruptor de solución/pulverización previa (C) una vez para apagarlo cuando tome curvas cerradas. Tire de la paleta de tracción (20) hacia atrás para mover la máquina marcha atrás. Cuando mueva la máquina marcha atrás, los cepillos funcionarán, pero no se aplicarán solución ni detergente.
- 4d Para los suelos muy sucios, puede que una operación de extracción de una sola pasada no sea suficiente, por lo que puede ser necesaria una operación de "pulverización previa". Consulte "Pulverización previa de la carpeta" en la sección "Preparación de la máquina para su utilización".
- 4e Observe la introducción del fluido en la tapa del depósito de recuperación (3). Si hay demasiada espuma en el depósito de recuperación, añada un producto químico antiespumante en el depósito de recuperación.

Fregado

- 4a Con la plataforma de limpieza elevada (APAGADA), presione el interruptor de modo de suelo naranja (K) hasta que en la pantalla aparezca (D12). La pantalla muestra (D12) para indicar que se ha seleccionado el modo de fregado, y también para avisar al operador de que conecte la tubería de recuperación de aspiración (30B) al conjunto de boquillas para fregar.
- 4b Presione y mantenga presionado el interruptor de solución/pulverización previa (C) para prehumedecer el suelo; mientras se mantenga presionado el interruptor se dispensarán solución y detergente. **NOTA:** esto debe realizarse antes de presionar el interruptor de encendido del fregado (J).
- 4c Presione el interruptor de encendido del fregado (J) una vez para un fregado ligero [en la pantalla aparecerá (D15) o (D14)] o dos veces para el modo de fregado presión de fregado intenso [en la pantalla aparecerá (D15) o (D16)].
Cuando se presione, la plataforma de limpieza bajarán (las zapatas del extractor seguirán elevadas). **NOTA:** los sistemas de solución, aspiración y detergente se activan automáticamente cuando se pulsa el interruptor de encendido del fregado (J) verde. Es posible apagar o volver a encender cualquier sistema individual con solo presionar su interruptor en cualquier momento durante el fregado.
- 4d Baje el conjunto de boquillas con la palanca de elevación/bajada de las boquillas (36).
- 4e Cuando la paleta de tracción (20) está en la posición neutral, los sistemas de fregado, aspiración, solución y detergente están activados pero no están en funcionamiento. Tome el asa de control del operador (19) y empuje la paleta de tracción (20) hacia delante para encender los motores de fregado, iniciar un motor de vacío, aplicar solución y detergente y mover la máquina hacia delante. Para lograr los mejores resultados, mueva la máquina a velocidad de paseo lento. Presione el interruptor de solución/pulverización previa (C) una vez para apagarlo cuando tome curvas cerradas. Tire de la paleta de tracción (20) hacia atrás para mover la máquina marcha atrás. Cuando mueva la máquina marcha atrás, los cepillos funcionarán, pero no se aplicarán solución ni detergente.
- 4f Para los suelos muy sucios, puede que una operación de fregado de una sola pasada no sea suficiente, y puede ser necesaria una operación de "doble fregado". Esta operación es igual al fregado de una sola pasada, salvo que en la primera pasada la boquilla está elevada. Esto permite que la solución de limpieza permanezca en el suelo y actúe más tiempo. La última pasada se hace en la misma zona, con la boquilla bajada para recoger la solución acumulada.



¡PRECAUCIÓN!

Para evitar dañar el suelo, mantenga la máquina en movimiento cuando los cepillos estén girando.

- 5 El depósito de recuperación tiene un interruptor de apagado automático que apaga TODOS los sistemas excepto el sistema de tracción cuando el depósito de recuperación está lleno. Es necesario vaciar el depósito de recuperación cuando se activa este interruptor. La máquina no recogerá agua ni fregará con el interruptor activado. **NOTA:** cuando el interruptor se activa, todos los demás indicadores se apagan y se enciende un indicador de "depósito de recuperación lleno" (D9) en el panel de visualización.
- 6 Si el operario quiere dejar de fregar/extraer, si el depósito de recuperación está lleno, presione una vez el interruptor de apagado del fregado (H). Esto detiene automáticamente los cepillos de fregado y el flujo de solución, y la plataforma de limpieza se eleva. **NOTA:** los motores de aspiración se detienen transcurridos 10 segundos para recoger el agua que haya podido quedar en el tubo de aspiración, en vez de tener que volver a vaciar en el suelo.
- 7 Eleve la boquilla si es necesario, lleve la máquina a un lugar designado para la eliminación de aguas residuales y vacíe el depósito de recuperación. Para vaciarlo, estire del tubo de drenaje del depósito de recuperación (25) para sacarla de su soporte, y abra la tapa (32) (sostenga el extremo del tubo por encima del nivel de agua del depósito para evitar el flujo súbito e incontrolado de agua residual). Es posible apretar el tubo de drenaje del depósito de recuperación (25) para regular el flujo. Rellene el depósito de solución y siga limpiando.

NOTA: Asegúrese de que la tapa del depósito de recuperación (3) y la tapa del tubo de drenaje del depósito de recuperación (32) están asentadas correctamente; de lo contrario, la máquina no recogerá agua correctamente. Cuando haya que recargar las baterías, se encenderá el indicador de batería baja (D9) y el motor de aspiración se apagará transcurridos 30 segundos. Lleve la máquina a una zona de mantenimiento y recargue completamente las baterías de acuerdo con las instrucciones que hay en la sección "Baterías" de este manual.

USO DE ACCESORIOS

Añada a la máquina accesorios opcionales para la aspiración en húmedo.

- 1 Desconecte del tubo de recuperación (30) del puerto de las zapatas de extracción o el conjunto de boquillas.
- 2 Acople al tubo (30) las herramientas de recogida adecuadas (disponibles en Nilfisk-Advance).
- 3 Conecte el tubo de solución del accesorio al puerto de accesorios (27).
- 4 Encienda el conmutador de llave principal (A).
- 5 Pulse el interruptor de vara (G) una vez para encender el motor de aspiración.

NOTA DE SERVICIO: Consulte el manual de servicio para obtener las descripciones funcionales detalladas de todos los controles y la programabilidad opcional.

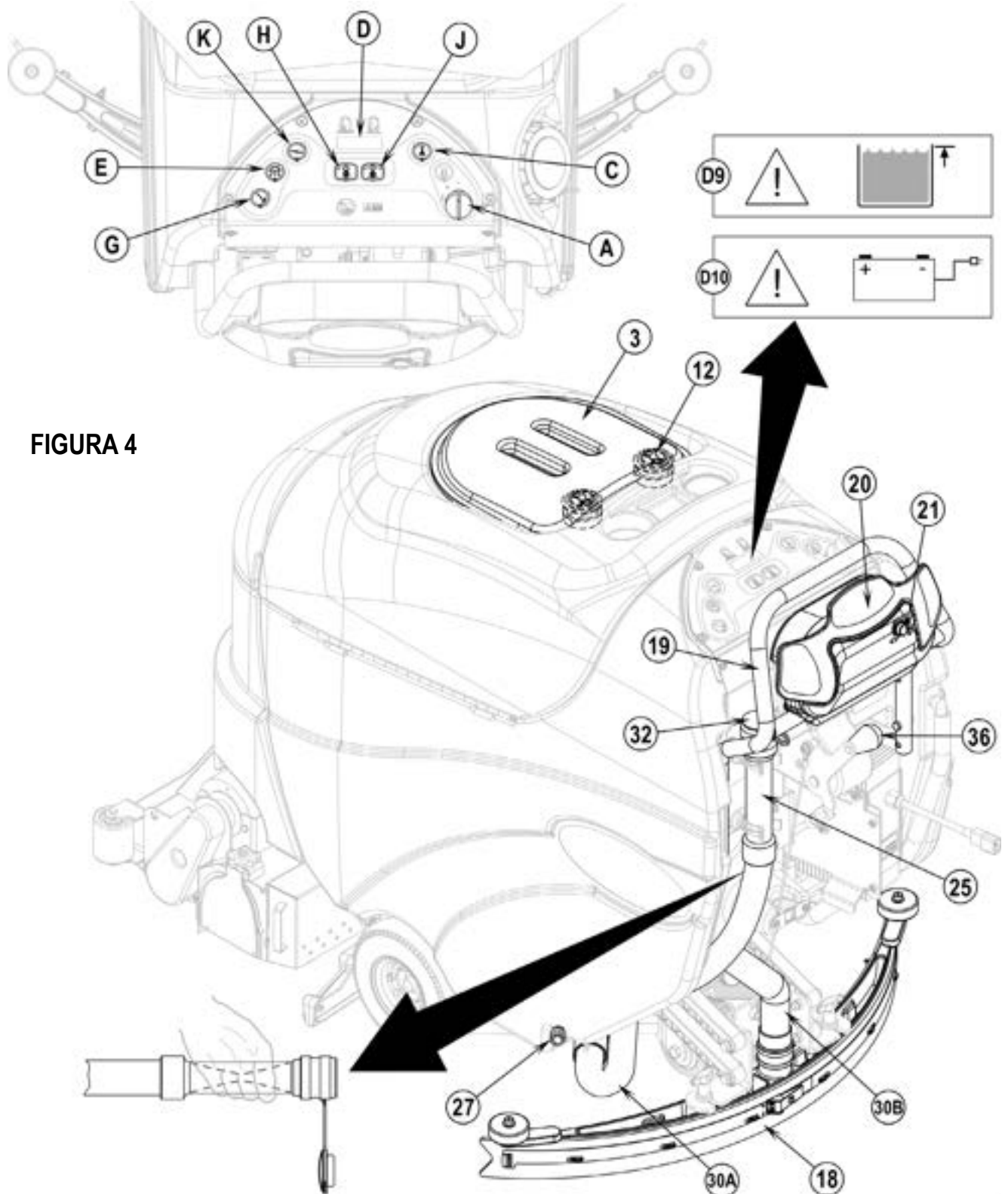


FIGURA 4

DESPUÉS DE LA UTILIZACIÓN

- 1 Presione el interruptor de apagado del fregado rojo (H) para elevar los cepillos. Lleve la máquina a una zona de mantenimiento.
- 2 Apague el conmutador principal de llave (A) y quite la llave.
- 3 Para vaciar el depósito de solución, retire la tubería de drenaje de la solución (22) del codo. Dirija la tubería a un punto de drenaje en el suelo o a un cubo. Enjuague el depósito con agua limpia. Inspeccione las mangueras de solución y sustitúyalas si están torcidas o dañadas.
- 4 Para vaciar el depósito de recuperación, extraiga la tubería de drenaje del depósito de recuperación (25) de su soporte y retire la tapa (sostenga el extremo de la tubería por encima del nivel de agua para evitar el flujo súbito e incontrolado de agua residual). Se puede apretar la tubería de drenaje del depósito de recuperación (25) para regular el flujo. Aclare el depósito y el interruptor del depósito de recuperación (34) con agua limpia. Inspeccione las mangueras de recuperación y aspiración y sustitúyalas si están torcidas o dañadas. **NOTA DE SERVICIO:** Asegúrese de no haya agua debajo de la criba de entrada del motor de aspiración (12) mientras limpia.
- 5 Retire los cepillos y, a continuación, aclárelos con agua caliente y retire cualquier resto de hilos, pelos o fibras de moqueta. Tienda los cepillos para que se sequen.
- 6 Retire la boquilla, enjuáguela con agua templada y tiéndala para que seque.
- 7 Compruebe el programa de mantenimiento que viene a continuación y realice cualquier operación de mantenimiento necesaria antes de guardar la máquina.

PROGRAMA DE MANTENIMIENTO

OPERACIÓN DE MANTENIMIENTO	Diaria	Semanal	Mensual	Anual
Recarga de baterías	X			
Compruebe y limpie depósitos y tubos (limpie el interruptor del depósito de recuperación y los filtros de de entrada de aspiración)	X			
Compruebe/limpie/gire los cepillos	X			
Comprobar y limpiar la boquilla	X			
Vacíe y limpie la tolva de residuos	X			
Limpie las zapatas de aspiración	X			
Comprobar el nivel de agua de todas las células de las baterías (no se aplica a baterías de células de gel)		X		
Inspeccionar y limpiar el filtro de la solución		X		
Limpie las boquillas de pulverización de la solución		X		
Purgar el sistema de detergente		X		
Lubricar la máquina			X	
* Comprobar los cepillos de carbono				X

* Haga que Nilfisk-Advance compruebe los cepillos de carbono del motor de aspiración una vez al año o después de 300 horas de funcionamiento. Compruebe los cepillos de carbono de los motores de tracción y fregado cada 500 horas o una vez al año.

NOTA: Para más información sobre reparaciones de mantenimiento y servicio, consulte el Manual de Servicio.

- 8 Almacene la máquina en un lugar limpio y seco.
- 9 Apague (O) el conmutador principal de llave (A) y quite la llave.

MANTENIMIENTO DEL MOTOR DE ASPIRACIÓN

Haga que su Distribuidor de Nilfisk-Advance revise los cepillos de carbono del motor una vez al año o después de 300 horas de funcionamiento.



¡IMPORTANTE!

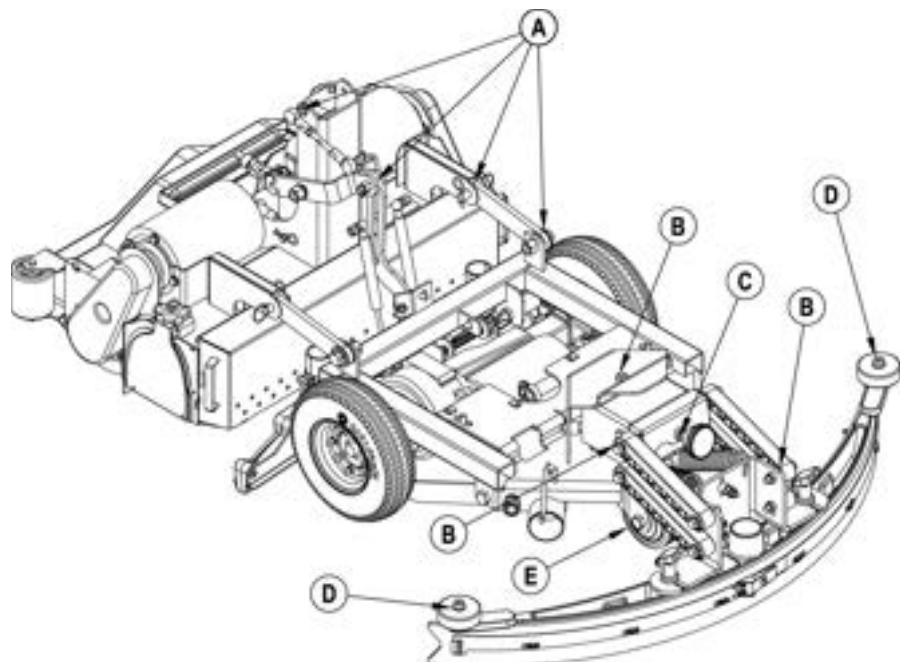
Los daños al motor causados por no haber revisado y mantenido los cepillos de carbono no están cubiertos por la garantía. Consulte la Declaración de Garantía Limitada.

LUBRICACIÓN DE LA MÁQUINA

Consulte la Figura 5. Una vez al mes, lubrique los siguientes puntos de pivotaje. Para obtener los mejores resultados, utilice un lubricante pulverizador de silicona.

- Puntos generales de pivotaje del sistema de articulación del cepillo (A).
 - Puntos generales de pivotaje del sistema de articulación de las boquillas (B).
 - Roscas del botón de ajuste del ángulo de montaje de las boquillas (C).
 - Ruedas del extremo de la herramienta de las boquillas (D).
 - Ruedas del parachoques de la plataforma de limpieza.
- Una vez al trimestre, engrase los siguientes elementos. Limpie cualquier exceso de grasa para evitar manchar la moqueta.
- Rueda giratoria de la roldana trasera (E).

FIGURA 5



RECARGA DE BATERÍAS DE LÍQUIDO

Recargue las baterías cada vez que se utilice la máquina o cuando el indicador de batería (D2) presente un nivel inferior al de carga completa.



¡ADVERTENCIA!

No rellene las baterías antes de recargarlas.

Recargue las baterías exclusivamente en una zona bien ventilada.

No fume mientras maneja las baterías.

Cuando revise las baterías...

- * Qítense todas las joyas
- * No fume
- * Lleve gafas de seguridad, un delantal de goma y guantes de goma
- * Trabaje en una zona bien ventilada
- * No permita que las herramientas toquen simultáneamente más de un terminal de batería
- * Al sustituir las baterías, desconecte SIEMPRE en primer lugar el cable (de tierra) negativo para evitar chispas.
- * Al instalar las baterías, conecte SIEMPRE el cable negativo al final.

Para cargar, realice lo siguiente:

Apague el conmutador de llave principal (A). Desenrolle el cable eléctrico del lado del cargador a bordo y enchúfelo en la toma a tierra correspondiente. Consulte el manual del producto OEM para obtener más instrucciones de funcionamiento detalladas.



¡PRECAUCIÓN!

Para evitar daños a la superficie del suelo, limpie siempre el agua y el ácido de la parte superior de las baterías después de la recarga.

COMPROBACIÓN DEL NIVEL DE AGUA DE LAS BATERÍAS

Compruebe el nivel de agua de las baterías al menos una vez a la semana.

Después de cargar las baterías, retire las cubiertas de ventilación y compruebe el nivel de agua de todas células de las baterías. Utilice agua destilada o desmineralizada en un dispensador de relleno de baterías (disponible en la mayoría de las tiendas de materiales para coches) para llenar todas las células hasta el indicador de nivel (o hasta 10 mm por encima de la parte superior de los separadores). ¡NO rellene demasiado las baterías!



¡PRECAUCIÓN!

Si las baterías están demasiado llenas se puede salpicar ácido al suelo.

Apriete las cubiertas de ventilación. Limpie la parte superior con una solución de levadura química y agua (2 cucharadas de levadura química en 1 litro de agua).

RECARGA DE BATERÍAS DE GEL (VRLA)

Recargue las baterías cada vez que se utilice la máquina o cuando el indicador de batería (D2) presente un nivel inferior al de carga completa.



¡ADVERTENCIA!

Recargue las baterías exclusivamente en una zona bien ventilada.

No fume mientras maneja las baterías.

Cuando revise las baterías...

- * Qítense todas las joyas
- * No fume
- * Lleve gafas de seguridad, un delantal de goma y guantes de goma
- * Trabaje en una zona bien ventilada
- * No permita que las herramientas toquen simultáneamente más de un terminal de batería
- * Al sustituir las baterías, desconecte SIEMPRE en primer lugar el cable (de tierra) negativo para evitar chispas.
- * Al instalar las baterías, conecte SIEMPRE el cable negativo al final.



¡PRECAUCIÓN!

La batería de plomo ácido con regulación de tensión (VRLA) ofrece una vida útil y unas prestaciones superiores ¡SÓLO SI SE RECARGA CORRECTAMENTE! Una recarga insuficiente o excesiva reducirá la vida útil de la batería y limitará sus prestaciones. Asegúrese de SEGUIR AL PIE DE LA LETRA LAS INSTRUCCIONES DE RECARGA. ¡NO INTENTE ABRIR ESTA BATERÍA! Si la batería VRLA se abre, pierde su presión y las placas se contaminan de oxígeno. LA GARANTÍA QUEDA ANULADA SI LA BATERÍA SE ABRE.

Para cargar, realice lo siguiente:

Apague el conmutador de llave principal (A). Desenrolle el cable eléctrico del lado del cargador a bordo y enchúfelo en la toma a tierra correspondiente. Consulte el manual del producto OEM para obtener más instrucciones de funcionamiento detalladas.

IMPORTANTE: Asegúrese de que dispone de un cargador adecuado para su uso con baterías de células de gel. Utilice únicamente cargadores de "regulación de tensión" o de "limitación de tensión". NO DEBEN utilizarse cargadores de corriente variable o de corriente constante estándar. Se recomienda el uso de un cargador sensible a la temperatura, dado que los ajustes manuales nunca son precisos y dañarán cualquier batería VRLA.

MANTENIMIENTO DE LAS ZAPATAS DE ASPIRACIÓN

Compruebe las zapatas de aspiración diariamente. Retire cualquier resto de hilos, pelos o fibras de la moqueta. Para retirarla:

- 1 Presione el interruptor de apagado de fregado rojo (H). Apague el interruptor de contacto principal (A).
- 2 Retire la tolva de residuos (29).
- 3 La zapata izquierda debe retirarse primero para que haya espacio suficiente para sacar la zapata derecha.
- 4 **Consulte la Figura 6.** Desconecte de el tubo de vacío (41) de la zapata de vacío (10).
- 5 Estire hacia arriba del anillo (42) y manténgalo al tiempo que estira de la zapata hacia delante, y luego hacia fuera de la máquina.
- 6 Repita los pasos 4 y 5 para la zapata de aspiración derecha.
- 7 Siga los pasos en el orden inverso para volver a montar.

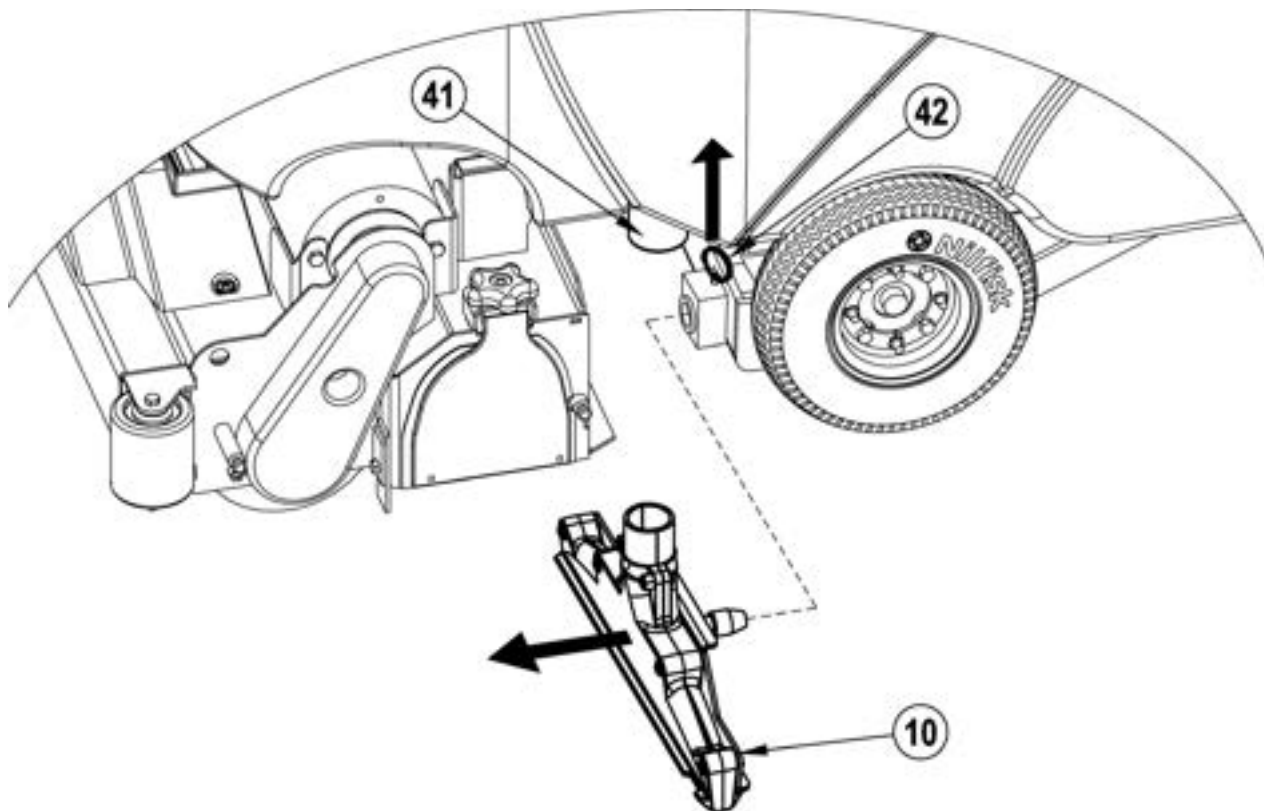
MANTENIMIENTO DE LA BOQUILLA DE PULVERIZACIÓN

Retire las boquillas de pulverización una vez al mes. Introduzca las boquillas en una solución de agua y vinagre durante toda la noche para eliminar cualquier depósito de productos químicos.

MANTENIMIENTO DEL CEPILLO ELÉCTRICO

Compruebe los cepillos diariamente. Retire cualquier resto de hilos, pelos o fibras de la moqueta. Compruebe la longitud de las cerdas. Haga que un técnico de mantenimiento cambie el cepillo cuando sus cerdas se hayan desgastado a 13 mm.

FIGURA 6



MANTENIMIENTO DE LA BOQUILLA

Si la boquilla deja bandas estrechas de agua, puede que las cuchillas estén sucias o dañadas. Retire la boquilla, enjuáguela con agua tibia e inspeccione las cuchillas. Sustituya o invierta las cuchillas si están cortadas, rasgadas, onduladas o gastadas.

Para invertir o sustituir la cuchilla secadora de la boquilla trasera...

- 1 Ver la Figura 7. Eleve la boquilla del suelo y a continuación desbloquee el pestillo central (37) de la boquilla
- 2 Retire las correas de tensión (38).
- 3 Deslice la cuchilla posterior para sacarla de las clavijas de alineación (39).
- 4 La cuchilla de la boquilla tiene 4 bordes de trabajo. Gire la cuchilla de manera que un borde limpio e intacto apunte hacia la parte frontal de la máquina. Sustituya la cuchilla si los 4 bordes están mellados, desgastados o reducidos al mínimo.
- 5 Instale la cuchilla siguiendo los pasos en orden inverso y ajuste la inclinación de la boquilla.

Para invertir o sustituir la cuchilla de la boquilla delantera...

- 1 Eleve la boquilla del suelo, afloje las (2) tuercas de palomilla (40), desconecte la tubería de recuperación (30) y retire el conjunto de la boquilla (18) del soporte.
- 2 Retire las dos correas de tensión (38) primero.
- 3 Retire todas las tuercas de palomilla que sujetan la cuchilla delantera y a continuación retire las correas de tensión y la cuchilla.
- 4 La cuchilla de la boquilla tiene 4 bordes de trabajo. Gire la cuchilla de manera que un borde limpio e intacto apunte hacia la parte frontal de la máquina. Sustituya la cuchilla si los 4 bordes están mellados, desgastados o reducidos al mínimo.
- 5 Instale la cuchilla siguiendo los pasos en orden inverso y ajuste la inclinación de la boquilla.

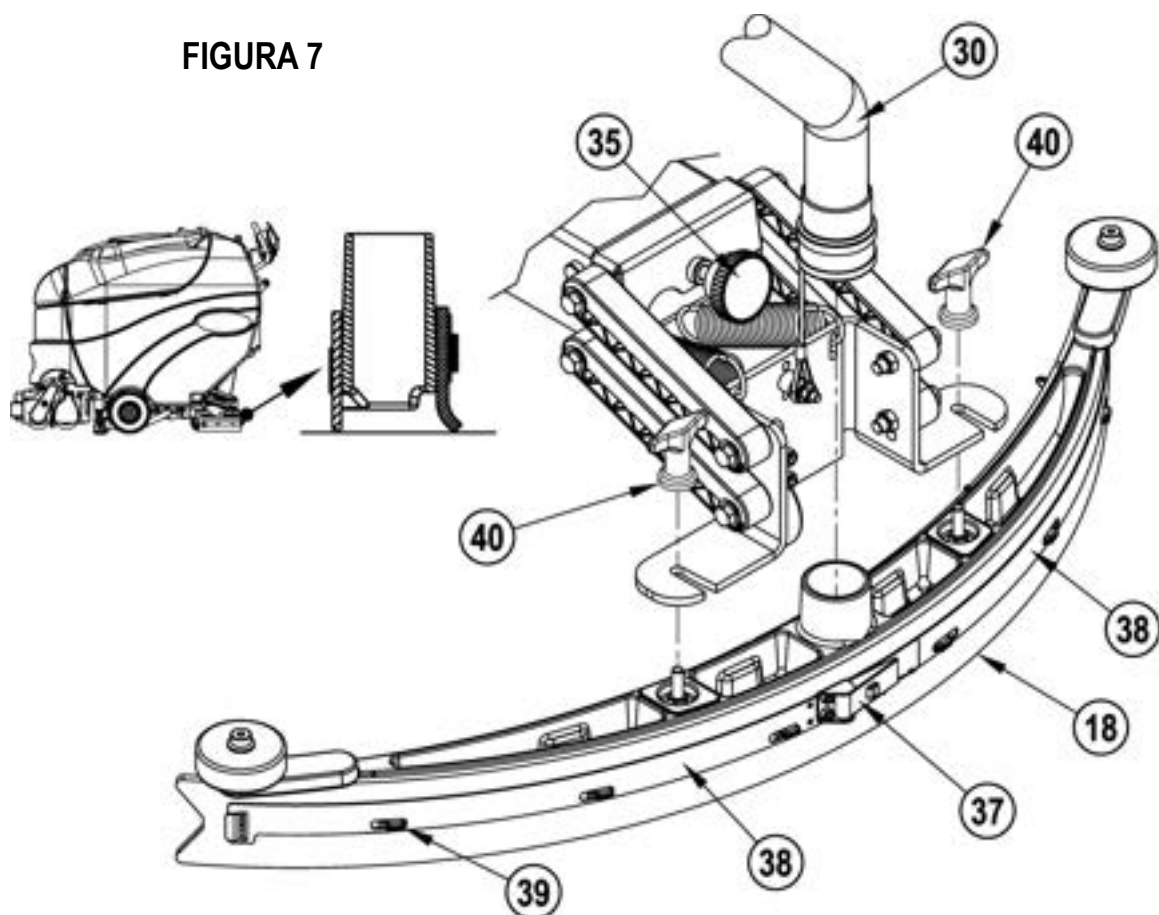
AJUSTE DE LA BOQUILLA

Ajuste el ángulo de la boquilla siempre que sustituya o invierta la cuchilla o cuando la boquilla no deje seco el suelo.

Para ajustar el ángulo de la boquilla...

- 1 Aparque la máquina en una superficie plana e igualada y baje la boquilla.
- 2 Moviendo la máquina lentamente hacia adelante, gire el botón de ajuste de la boquilla (35) hasta que la cuchilla de la boquilla trasera se pliegue homogéneamente en toda la anchura de la boquilla, como se indica a continuación.

FIGURA 7



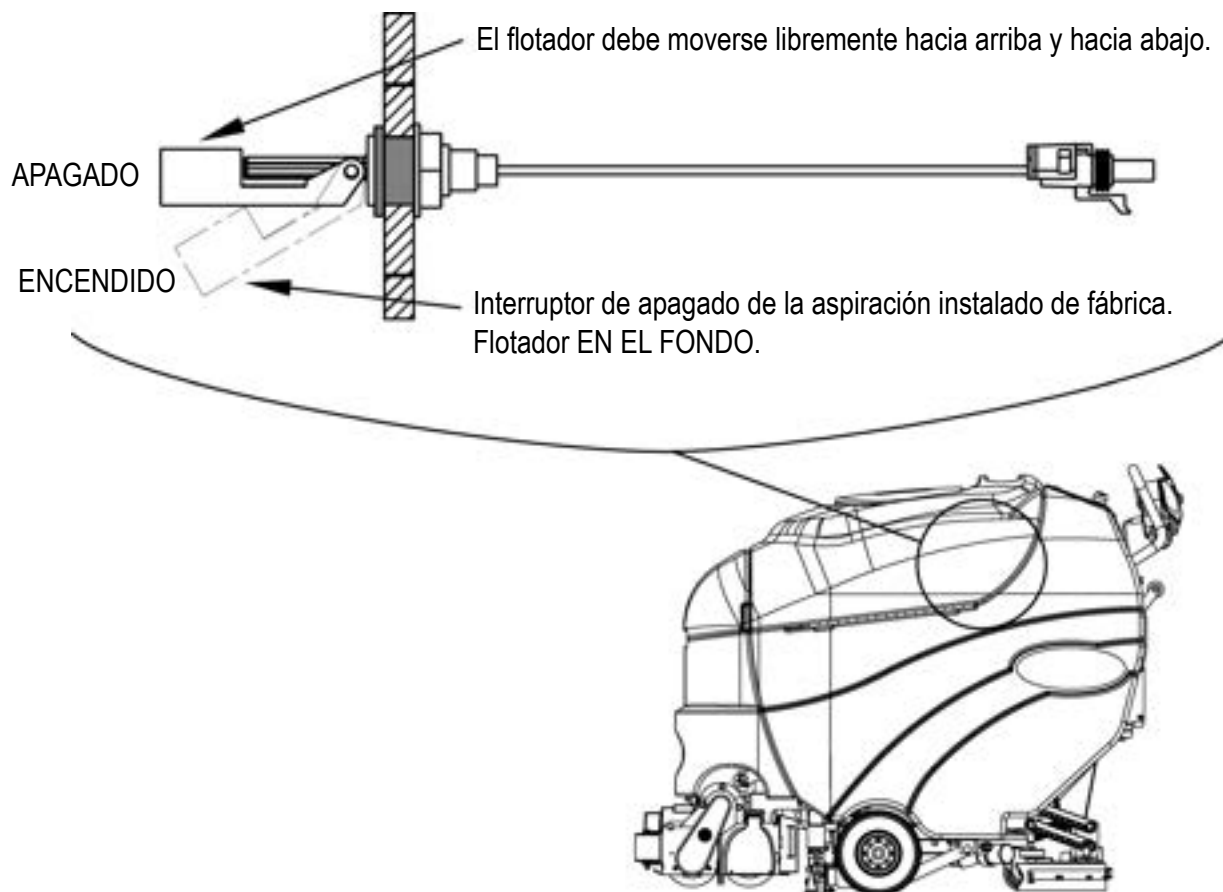
MANTENIMIENTO DEL INTERRUPTOR DEL DEPÓSITO DE RECUPERACIÓN

Si el interruptor de flotador del depósito de recuperación se ensucia, su funcionamiento podría verse afectado. Un interruptor de apagado de la aspiración sucio puede provocar que los motores de aspiración no funcionen en absoluto, o que no se apaguen cuando el depósito está lleno.

Si aclarar a diario el depósito de recuperación no basta para mantener el interruptor limpio, es posible que deba desmontarlo para limpiarlo. Es muy importante volver a montarlo correctamente para que funcione. Consulte la Figura 8 para conocer la orientación correcta del brazo de flotador del depósito.

Consulte el manual de servicio para obtener las instrucciones de desmontaje y de limpieza.

FIGURA 8



DESCONEXIÓN DE LOS DISYUNTORES

Los disyuntores protegen los motores y circuitos eléctricos de los daños que pueden causar las situaciones de sobrecarga. Si se desconecta un disyuntor, apague el conmutador de llave principal (A) y retire la llave. A continuación intente determinar la causa. Una vez que se ha corregido el problema, vuelva a instalar el disyuntor apretando el botón hacia adentro. Si el botón no se queda dentro, espere 5 minutos y vuélvalo a intentar. Si el disyuntor se desconecta constantemente, llame a Nilfisk-Advance para una revisión.

Posibles causas de la desconexión del disyuntor del circuito de control (23) serían:

- 1 Corto circuito en el cableado - haga que su Técnico de Servicio de Nilfisk-Advance revise su máquina

Posibles causas de la desconexión del disyuntor de tracción de la rueda (24) serían:

- 1 Suciedad atascada alrededor del eje de la rueda de tracción.
- 2 Cojinetes del motor de tracción desgastados.
- 3 Uso constante en rampas.

MALA RECOGIDA DE AGUA (EXTRACCIÓN)

- 1 Depósito de recuperación lleno, interruptor de apagado de aspiración activado o sucio.
- 2 Sistema de aspiración bloqueado (zapatas y tubos)
- 3 Tubos de aspiración desconectados (conectados a las boquillas en lugar de al puerto de la zapata del extractor) o dañados.
- 4 Junta de la tapa del depósito de recuperación dañada o la tapa del tubo de drenaje de recuperación no cierra herméticamente.

MALA RECOGIDA DE AGUA (FREGADO)

- 1 Depósito de recuperación lleno, interruptor de cierre de aspiración activado o sucio
- 2 Sistema de aspiración bloqueado (boquilla y mangueras)
- 3 Tubos de aspiración desconectados (conectados al puerto de la zapata del extractor en lugar de a las boquillas) o dañados.
- 4 Boquilla mal ajustada
- 5 Junta de la tapa del tanque de recuperación dañada

ESTRÍAS DE LA BOQUILLA

- 1 Suciedad debajo de la cuchilla de la boquilla
- 2 Cuchilla de la boquilla gastada, mellada o desgarrada
- 3 Boquilla mal ajustada

NO HAY FLUJO DE SOLUCIÓN

- 1 No hay solución en el depósito de solución.
- 2 Válvula de cierre de la solución (31) cerrada.
- 3 Filtro de la solución (28) obstruido.
- 4 Boquillas de pulverización (15 o 16) obstruidas.

LA PLATAFORMA DE LIMPIEZA SE ELEVA DURANTE EL FREGADO

- 1 Residuos atrapados entre cepillos y contenedor de cepillo.
- 2 Cojinete de motor del cepillo en mal estado.

NO HAY FLUJO DE DETERGENTE (AXP/EDS)

- 1 Cartucho de detergente vacío.
- 2 Línea de flujo de detergente obstruida o torcida.
- 3 Cableado de la bomba de detergente desconectado o mal conectado.
- 4 Tapa de junta seca en cartucho de detergente sin sellar.
- 5 Falta imán en el deslizador de mezcla de detergente.

ESPECIFICACIONES TÉCNICAS (según la instalación y comprobaciones de la unidad)

Modelo		Adphibian™	AX 651 Combi EDS
Nº Modelo		56317000	56317003
Voltaje, baterías	V	24	24
Capacidad baterías	Ah	255	255
Grado de protección		IPX3	IPX3
Nivel de presión acústica IEC 60335-2-72: Enmienda de 2002. 1:2005, ISO 11201 (durante la extracción)	dBA	69.0	69.0
Nivel de presión acústica IEC 60335-2-72: Enmienda de 2002. 1:2005, ISO 11201 (durante el fregado)	dBA	66	66
Nivel de potencia acústica IEC 60335-2-72: Enmienda de 2002. 1:2005, ISO 3744	Lwa	86.9	86.9
Peso bruto	lbs. / kg	815 / 370	815 / 370
Vibración en los controles manuales (ISO 5349-1)	m/s ²	0.33	0.33
Capacidad ascendente			
Transporte		15.4% (8.3°)	15.4% (8.3°)
Limpieza		12.5% (7.1°)	12.5% (7.1°)

Overenstemmelseserklæring
Declaration of conformity
Konformitätserklärung
Declaración de conformidad
Atbilstības deklarācija
Megfelelősségi nyilatkozat
Certifikat o ustreznosti

Declaration de conformité
Verklaring van overeenstemming
Dichiarazione di conformità
Vastavussertifikaat
Deklaracja zgodności
Försäkran om överensstämmelse

Samsvarserklæring
Vaatimustenmukaisuusvakuutus
Atitikties deklaracija
Osvědčení o shodě
Certifikát súladu

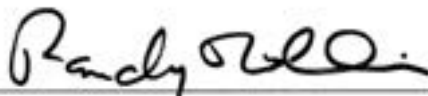
Modell/ Modèle/ Model/ Malli/ Modelo/ Μοντέλο/ Modelo/ Modelis/Модель: Carpet Extractor Cleaner

Type/ Тууoppi/ Tipo/ Τύπος/ Tüüp/ Tipas/ Tips/ Тип/ Típus/ Тип/ Tip: AX 651

- D** Der Unterzeichner bestätigt hiermit dass die oben erwähnten Modelle gemäß den folgenden Richtlinien und Normen hergestellt wurden.
- GB** The undersigned certify that the above mentioned model is produced in accordance with the following directives and standards.
- DK** Undertegnede atterer herved, at ovennævnte model er produceret i overensstemmelse med følgende direktiver og standarder.
- N** Undertegnede atterer att ovennevnte modell är produsert i overensstemmelse med følgende direktiv og standarder.
- E** El abajo firmante certifica que los modelos arriba mencionados han sido producidos de acuerdo con las siguientes directivas y estandares.
- I** Il sottoscritto dichiara che i modelli sopra menzionati sono prodotti in accordo con le seguenti direttive e standard.
- EST** Allakirjutanu kinnitab, et ülalnimetatud mudel on valmistatud kooskõlas järgmiste direktiivide ja normidega.
- LV** Ar šo tiek apliecināts, ka augstākminētais modelis ir izgatavots atbilstoši šādām direktīvām un standartiem.
- CZ** Niže podepsaný stvrzuje, že výše uvedený model byl vyroben v souladu s následujícími směrnici a normami.
- SLO** Spodaj podpisani potrjujem, da je zgoraj omenjeni model izdelan v skladu z naslednjimi smernicami in standardi.
- F** Je soussigné certifie que les modèles ci-dessus sont fabriqués conformément aux directives et normes suivantes.
- NL** Ondergetekende verzekert dat de bovengenoemde modellen geproduceerd zijn in overeenstemming met de volgende richtlijnen en standaards.
- FIN** Allekirjoittaja vakuuttaa että yllämainittu malli on tuotettu seuraavien direktiivien ja standardien mukaan.
- S** Undertecknad intygar att ovannämnda modell är producerad i överensstämmelse med följande direktiv och standarder.
- GR** Ο κάτωθι υπογεγραμμένος πιστοποιεί ότι η παραγωγή του προαναφερθέντος μοντέλου γίνεται σύμφωνα με τις ακόλουθες οδηγίες και πρότυπα.
- P** A presente assinatura serve para declarar que os modelos supramencionados são produtos em conformidade com as seguintes directivas e normas.
- LT** Toliau pateiktu dokumentu patvirtinama, kad minėtas modelis yra pagamintas laikantis nurodytų direktyvų bei standartų.
- PL** Niżej podpisany zaświadcza, że wymieniony powyżej model produkowany jest zgodnie z następującymi dyrektywami i normami.
- H** Alulírottak igazoljuk, hogy a fent említett modellt a következő irányelvek és szabványok alapján hoztuk létre.
- SK** Dolu podpísaný osvedčuje, že hore uvedený model sa vyrába v súlade s nasledujúcimi smernicami a normami.

EC Machinery Directive 98/37/EC
EC Low Voltage Directive 73/23/EEC
EC EMC Directive 89/336/EEC

EN 12100-1, EN 12100-2, EN 294, EN 349
EN 60335-1, EN 60335-2-72
EN 61000, EN 50366



11.12.2007

Randy Rollins, Vice President Operations
Nilfisk-Advance, Inc.
14600 21st Avenue North
Plymouth, MN 55447 USA

Nilfisk-Advance A/S
Sognevej 25
DK-2605 Brøndby, Denmark

