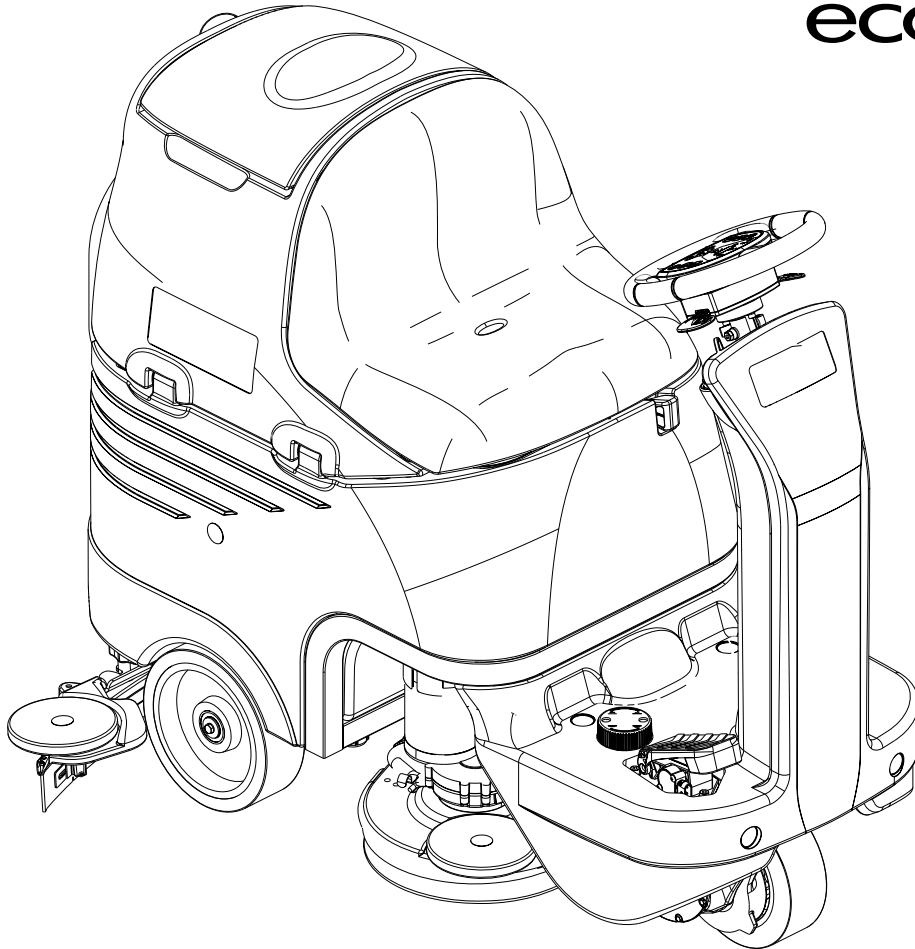


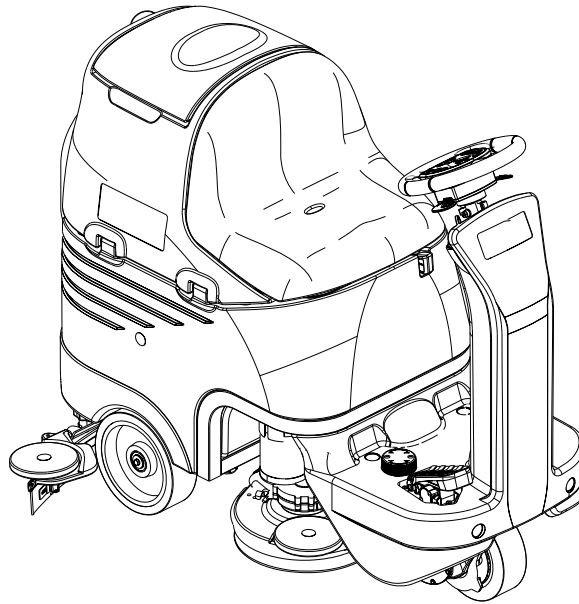
SC3000 26" Disc SC3000 28" Cyl.

ecoflex™



PARTS LIST

Advance models: 9087266020 - 26" Disc - Charger
9087267020 - 26" Disc - EcoFlex™ + Charger
9087268020 - 28" Cyl. - Charger
9087269020 - 28" Cyl. - EcoFlex™ + Charger



DESCRIPTION

PLAN

| | |
|---------------------------------|---------|
| GENERAL VIEW | 2 - 3 |
| SOLUTION TANK | 4 - 5 |
| RECOVERY TANK | 6 - 7 |
| COLUMN SYSTEM | 8 - 9 |
| STEERING ASSY | 10 - 11 |
| STEERING WHEEL SUPPORT ASSEMBLY | 12 - 13 |
| DRIVE WHEEL ASSEMBLY | 14 - 15 |
| CHASSIS SYSTEM | 16 - 17 |
| SOLUTION SYSTEM | 18 - 19 |
| ECOFLEX™ | 20 - 21 |
| SQUEEGEE RAISING ASSEMBLY | 22 - 23 |
| SQUEEGEE SYSTEMS | 24 - 25 |
| MAGIC DECK ASSEMBLY | 26 - 27 |
| BRUSHES DECK SYSTEM | 28 - 29 |
| MAGIC DECK ASSEMBLY CYL. BRUSH | 30 - 31 |
| CYL. BRUSHES SYSTEM | 32 - 35 |
| ELECTRICAL COMPONENTS | 36 - 37 |
| BATTERY CHARGER | 38 - 39 |
| ACCESSORIES | 40 - 45 |
| ELECTRICAL DIAGRAM | 46 - 47 |
| RECOMMENDED SPARE PARTS | 48 - 49 |

WHEN ORDERING PARTS

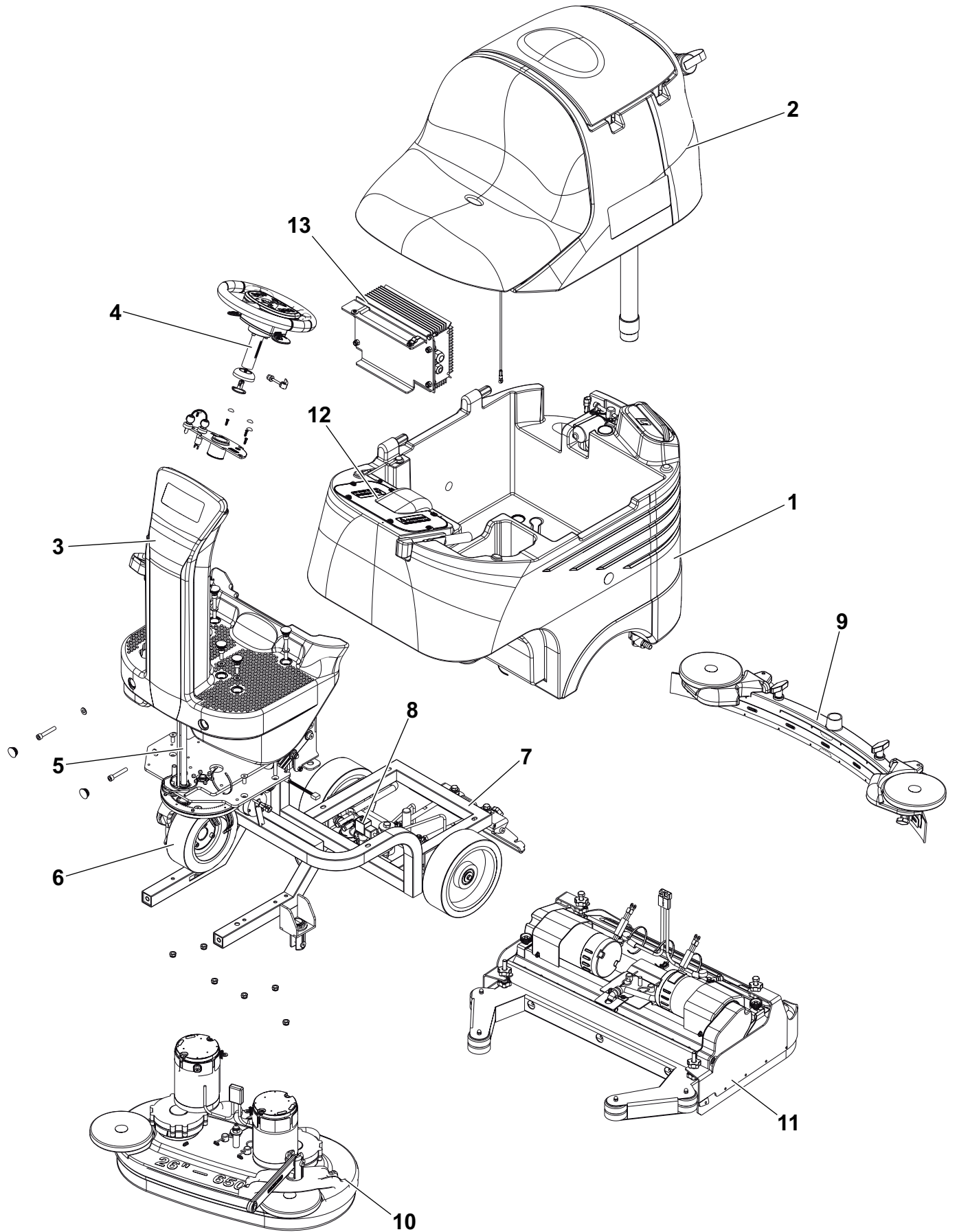
- * Use the 8, 9 or 10 digit numbers from the "Ref. No." columns in this parts list.
- * Specify the model and serial number of the machine.
- * Use the space below to record the model and serial number for future reference.

Model _____ Serial No. _____

*** = Optional**

= Modified item No. or New item No.

[] = Not shown



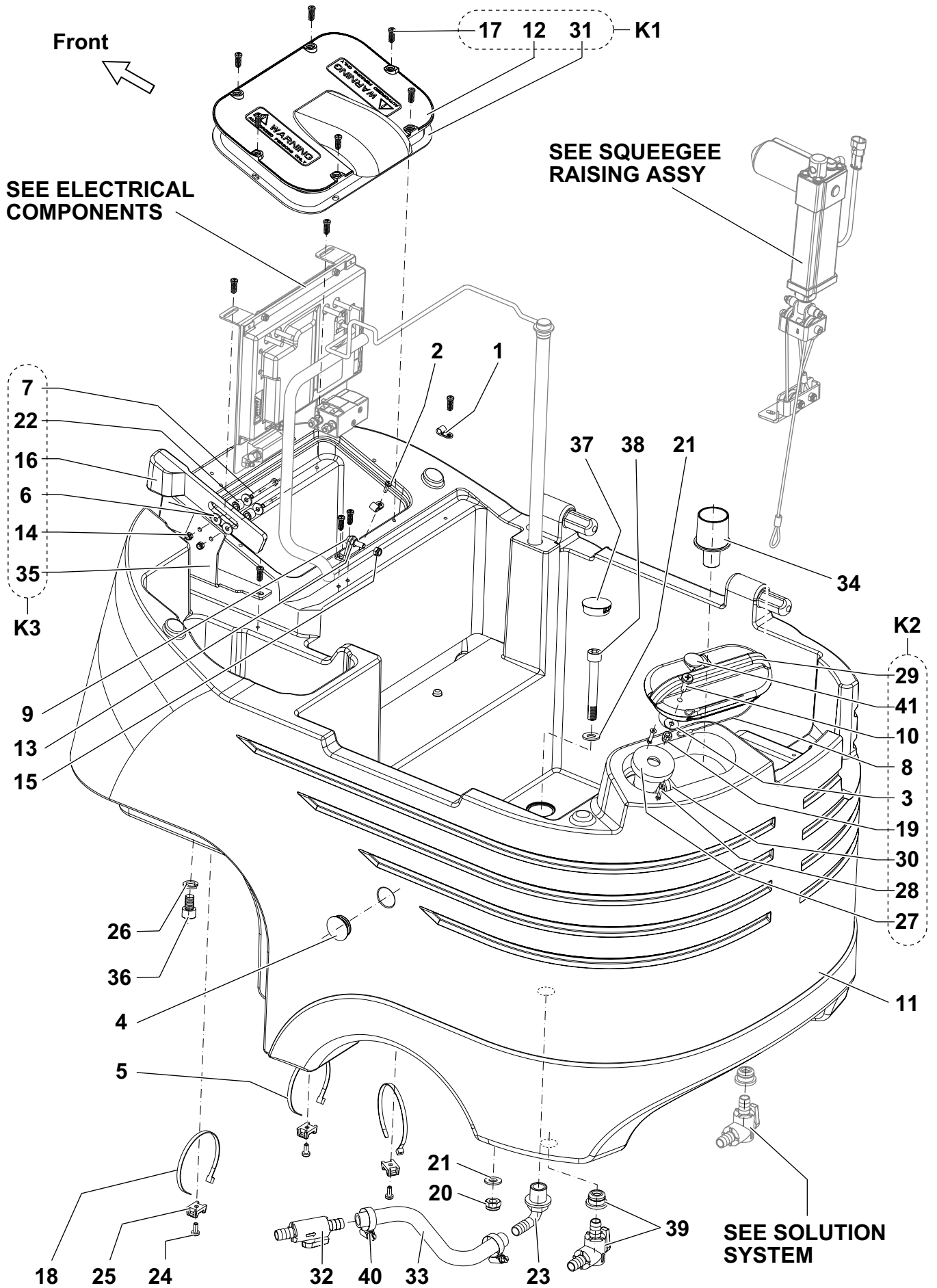
2010-10

GENERAL VIEW

SC3000 26" Disc - SC3000 28" Cyl.

3

| Item No. | Ref. No. | Qty | Description |
|----------|----------|-----|----------------------------------|
| 1 | | 1 | SOLUTION TANK |
| 2 | | 1 | RECOVERY TANK |
| 3 | | 1 | COLUMN SYSTEM |
| 4 | | 1 | STEERING ASSY |
| 5 | | 1 | STEEERING WHEEL SUPPORT ASSEMBLY |
| 6 | | 1 | DRIVE WHEEL ASSEMBLY |
| 7 | | 1 | CHASSIS SYSTEM |
| 8 | | 1 | SOLUTION SYSTEM |
| 9 | | 1 | SQUEEGEE SYSTEMS |
| 10 | | 1 | BRUSHES DECK SYSTEM |
| 11 | | 1 | CYL. BRUSHES SYSTEM |
| 12 | | 1 | ELECTRICAL COMPONENTS |
| 13 | | 1 | BATTERY CHARGER |



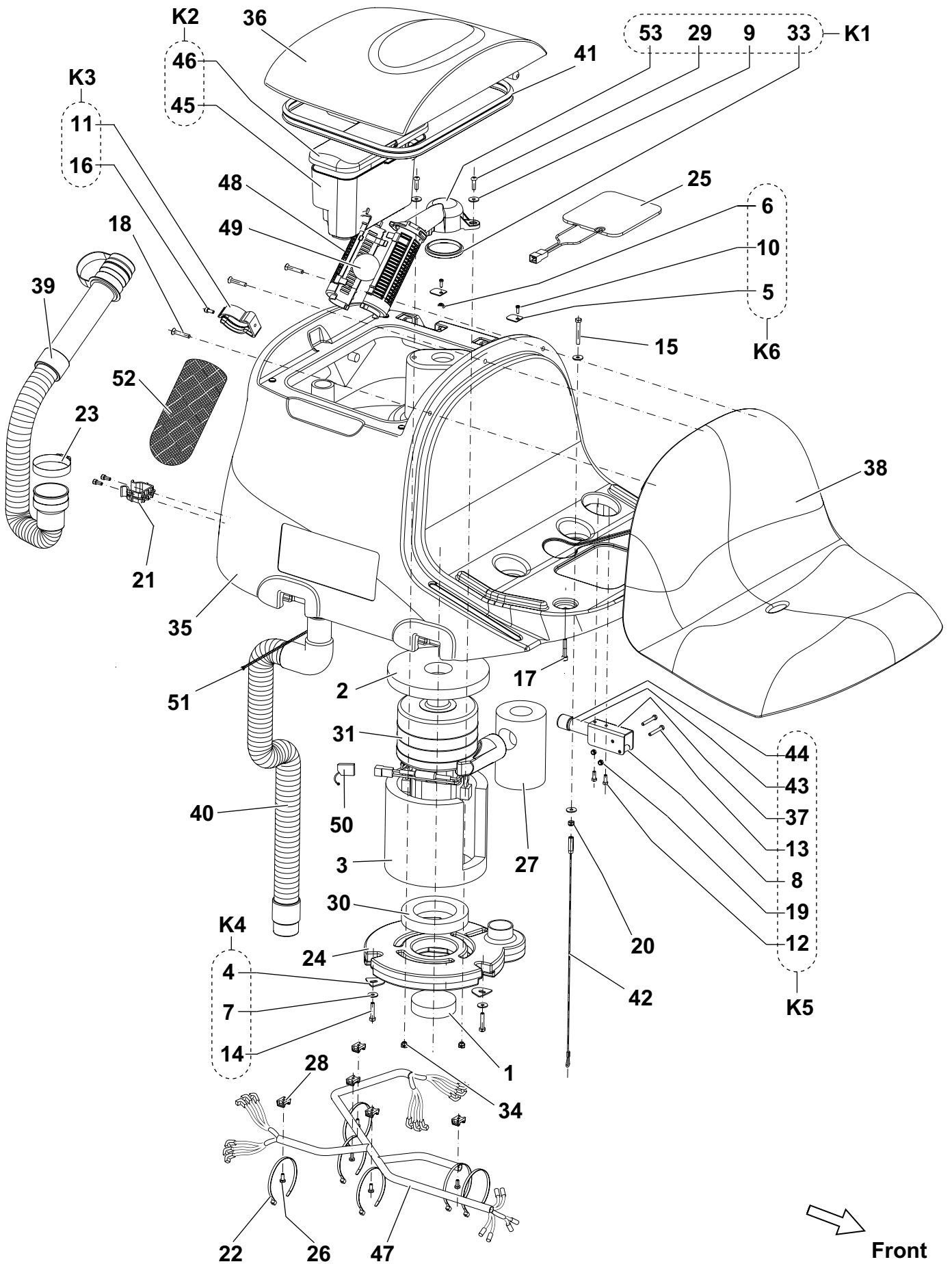
| Kit | Item No. | Ref. No. | Qty | Description |
|------|----------|--------------|-----|-------------------------------|
| K4 | 1 | | 2 | CLAMP D.6 WHITE |
| K4 | 2 | | 1 | SCREW 3.9X13 UNI6954 |
| K2 | 3 | | 1 | WASHER, FLAT 5x15 XL SS |
| | 4 | L08812457 | 2 | CAP TANK |
| K4 | 5 | | 1 | CLAMP 290X4.8 |
| K3 | 6 | | 4 | WASHER 5X15 UNI6593 |
| K3 | 7 | | 2 | SCREW M5X45 UNI5737 |
| K2 | 8 | | 1 | CABLE OPENING CAP |
| K4 | 9 | | 1 | SCREW M6X20 UNI5739 |
| K2 | 10 | | 1 | SCR, PAN PHIL M5x16 SS |
| | 11 | 9097797000 | 1 | TANK SOLUTION RAL 7016 |
| K1 | 12 | | 1 | COVER ELECTRIC COMPONENTS |
| K4 | 13 | | 1 | NUT HEX M6 UNI5589 |
| K3 | 14 | | 2 | NUT SELF L. M5 UNI7474 |
| K4 | 15 | | 1 | NUT SELF L. M6 UNI7474 |
| K3 | 16 | | 1 | LEVER BATTERY CONNECTOR |
| K1-4 | 17 | | 11 | SCREW CYL HD 5X16 SELF L. |
| K4 | 18 | | 2 | CLAMP BLACK 4,8x200 |
| K2 | 19 | | 1 | NUT, HEX METRIC M5 SS |
| K4 | 20 | | 4 | NUT SELF L. M10 UNI7474 |
| K4 | 21 | | 8 | WASHER M10 UNI6592 |
| K3 | 22 | | 1 | SPACER 6,5X12X10 |
| | 23 | 909 6087 000 | 3 | ELBOW CURVED 90. M 1/2 |
| K4 | 24 | | 3 | SCREW M5X12 UNI7687 |
| K4 | 25 | | 3 | HOLDER.FLAT TIE |
| K4 | 26 | | 2 | WASHER M10 UNI1751B |
| K2 | 27 | 9097290000 | 1 | HOSE FILLING |
| K2 | 28 | | 2 | SCREW 3.9X22 UNI6955 SS |
| K2 | 29 | | 1 | CAP SOLUTION TANK |
| K2 | 30 | | 1 | SUPPORT HOSE FILLING |
| K1 | 31 | | 1 | GASKET ELECTR.COVER |
| | 32 | 9098173000 | 1 | VALVE 1/2-1/2 |
| | 33 | 9098175000 | 1 | PIPE |
| | 34 | 9098224000 | 1 | MUFF FRESH WATER |
| K3 | 35 | | 1 | BRACKET SUPPORT BATTERY |
| K4 | 36 | | 2 | SCREW M10X16 UNI5931 |
| K4 | 37 | | 4 | CAP BLACK |
| K4 | 38 | | 4 | SCREW M10X75 UNI5931 |
| | 39 | 9097626000 | 1 | VALVE ELBOW KIT |
| K4 | 40 | | 2 | CLAMP 09/12-22 |
| K2 | 41 | | 1 | SCREW CAP 4,8mm |
| | K1 | 9098707000 | 1 | COVER ELECTRIC COMPONENTS KIT |
| | K2 | 9098709000 | 1 | CAP SOLUTION KIT |
| | K3 | 9098710000 | 1 | LEVER BATTERY KIT |
| | [K4] | 9098711000 | 1 | HW KIT SOLUTION TANK |

RECOVERY TANK

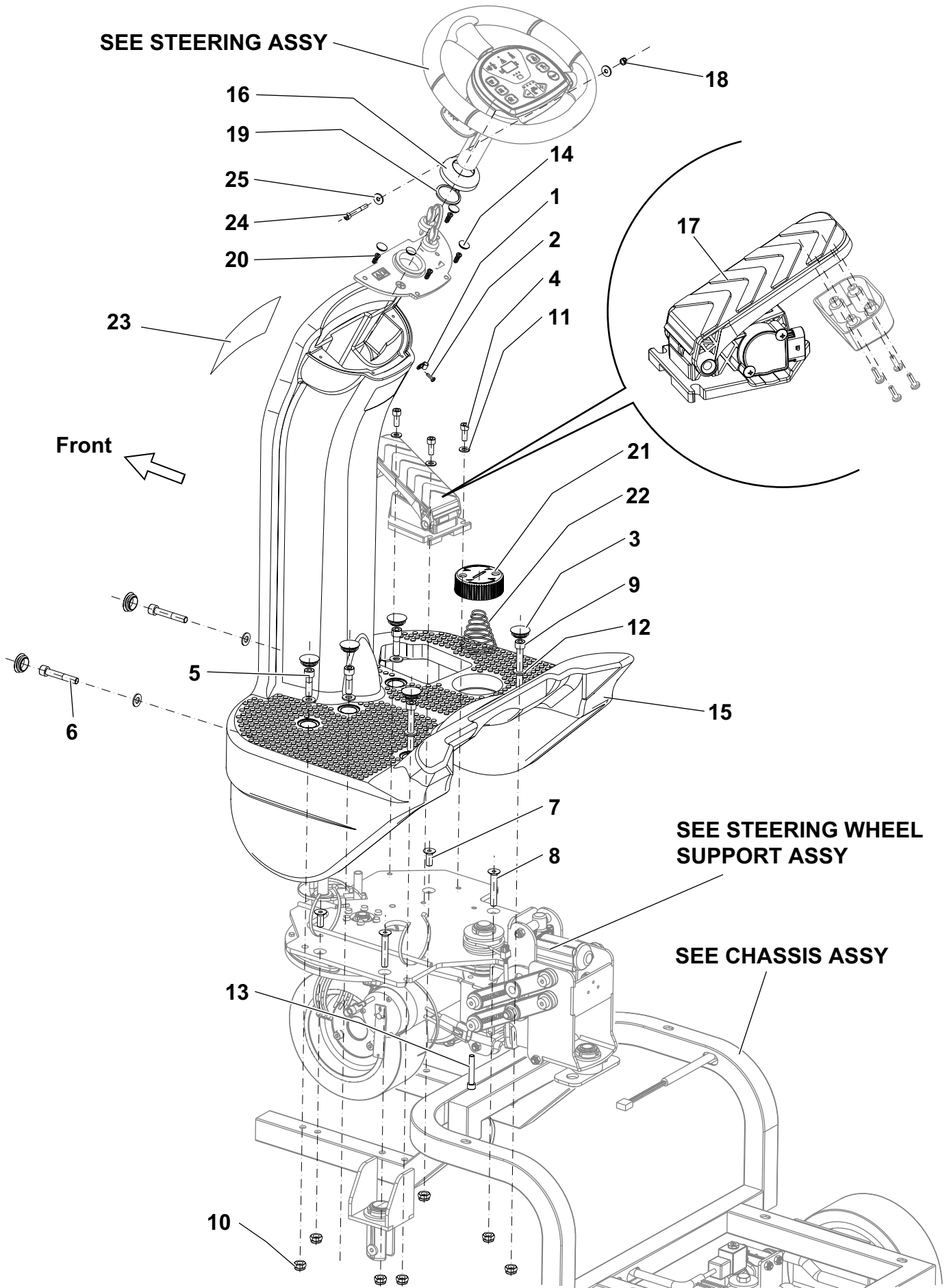
2010-10

6

SC3000 26" Disc - SC3000 28" Cyl.



| Kit | Item No. | Ref. No. | Qty | Description |
|------|-------------|---------------------|----------|----------------------------------|
| | 1 | 909 6672 000 | 1 | FILTER |
| | 2 | 909 6489 000 | 1 | GASKET VACUUM MOTOR |
| | 3 | 909 6491 000 | 1 | PANEL ACOUSTIC INSULATION |
| K4 | 4 | | 3 | PLATE VACUUM COVER |
| K6 | 5 | | 2 | PLATE TANK COVER |
| K6 | 6 | | 1 | BUSH FLANGED |
| K4-7 | 7 | | 5 | WASHER 6X18 UNI6592 |
| K5 | 8 | | 1 | SPACER 7X10X19 |
| K1 | 9 | | 2 | WASHER 6X18X1.5 UNI6593 |
| K6 | 10 | | 2 | SCREW CYL HD SELFL 3.9X12 |
| K3 | 11 | | 1 | CLAMP.HOSE D.50 |
| K5 | 12 | | 2 | SCREW M5X14 UNI5739 |
| K5 | 13 | | 2 | SCREW M5X35 UNI5739 |
| K4 | 14 | | 3 | SCREW M6X30 UNI5739 |
| K7 | 15 | | 1 | SCREW M6X45 UNI5739 |
| K3 | 16 | | 3 | SCREW M5X12 UNI5931 SS |
| K7 | 17 | | 2 | SCREW M6X35 UNI5931 |
| K7 | 18 | | 3 | SCREW M6X35 UNI5933 |
| K5 | 19 | | 2 | NUT SELF L. M5 UNI7474 |
| K7 | 20 | | 1 | NUT SELF L. M6 UNI7474 |
| | 21 | 56407361 | 1 | CLAMP PLASTIC |
| K7 | 22 | | 6 | CLAMP BLACK 4,8x200 |
| | 23 | 146 0771 000 | 1 | CLAMP |
| | 24 | 909 6051 000 | 1 | COVER.VACUUM MOTOR |
| | 25 | 909 6242 000 | 1 | MICROSWITCH |
| K7 | 26 | | 5 | SCREW M5X12 UNI7687 |
| | 27 | 909 6442 000 | 1 | PIPE.ACOUSTIC INSULATION |
| K7 | 28 | | 5 | HOLDER.FLAT TIE |
| K1 | 29 | | 2 | SCREW M6X20 ISO7380 SS |
| | 30 | 9097555000 | 1 | GASKET VACUUM MOTOR |
| | 31 | 9097556000 | 1 | MOTOR VACUUM 3ST 24V 420W |
| | 31* | 9098455000 | 1 | MOTOR VACUUM 3 STAGE 670W |
| | [32] | 9098456000 | 1 | INSTRUCTIONS INSTALLATION |
| K1 | 33 | | 1 | GASKET CAGE FLOAT |
| K7 | 34 | | 2 | NUT JAW M6X6 INOX SS |
| | 35 | 9097801000 | 1 | TANK RECOVERY RAL 7001 |
| | 36 | 9097802000 | 1 | COVER TANK RAL7001 |
| K5 | 37 | | 1 | SUPPORT SAFETY BRACKET TA |
| | 38 | 9097858000 | 1 | SEAT |
| | 39 | 9097935000 | 1 | HOSE DRAIN |
| | 40 | 9098169000 | 1 | HOSE SUCTION |
| | 41 | 9098172000 | 1 | GASKET COVER |
| | 42 | 9098177000 | 1 | CABLE TANK STOP |
| K5 | 43 | | 1 | BRACKET STOP TANK |
| K5 | 44 | | 1 | CAP D.25 BLACK |
| K2 | 45 | | 1 | TRAY DEBRIS |
| K2 | 46 | | 1 | COVER TRAY DEBRIS |
| | 47 | 9098235000 | 1 | HARNES RECOVERY TANK |
| | 48 | L08812259 | 2 | CAGE.FLOAT CPL |
| | 49 | L08812373 | 1 | BALL FLOATING |
| | 50 | 9098716000 | 1 | BRUSH CARBON KIT |
| | 51 | L08066000 | 1 | CLAMP RED |
| | 52* | 909 5065 000 | 1 | FILTER ANTIFOAMING |
| K1 | 53 | | 1 | CAGE FLOAT |
| | K1 | 9097681000 | 1 | CAGE FLOAT HOLDER KIT |
| | K2 | 9098712000 | 1 | TRAY DEBRIS KIT |
| | K3 | 909 6380 000 | 1 | CLAMP KIT |
| | K4 | 909 6877 000 | 1 | HARDWARE MOTOR FIXING KIT |
| | K5 | 9098713000 | 1 | BRACKET STOP KIT |
| | K6 | 9098714000 | 1 | TANK FIXING KIT |
| | [K7] | 9098715000 | 1 | HARDWARE RECOVERY TANK KIT |



| Kit | Item No. | Ref. No. | Qty | Description |
|------|----------|------------|-----|--------------------------------|
| K1 | 1 | | 1 | CLAMP D.6 WHITE |
| K1 | 2 | | 1 | SCREW 3.9X13 UNI6954 |
| K1 | 3 | | 7 | CAP. BLACK |
| K1 | 4 | | 3 | SCREW M8X20 UNI5931 |
| K1 | 5 | | 3 | SCREW M10X25 UNI5931 |
| K1 | 6 | | 2 | SCREW M10X60 UNI5931 |
| K1 | 7 | | 2 | SCREW M10X25 UNI5933 |
| K1 | 8 | | 2 | SCREW M10X60 UNI5933 |
| K1 | 9 | | 2 | SCREW M10X75 UNI5931 |
| K1 | 10 | | 7 | NUT SELF L. M10 UNI7474 |
| K1 | 11 | | 3 | WASHER M8 UNI6592 |
| K1 | 12 | | 7 | WASHER M10 UNI6592 |
| K1 | 13 | | 1 | SCREW M8X50 UNI5931 THREA |
| K1 | 14 | | 4 | CAP SCREW |
| | 15 | 9097805000 | 1 | FOOTBOARD WITH COLUMN RAL |
| | 16 | 9097806000 | 1 | PROTECTION STEERING RING |
| | 17 | 9097934000 | 1 | PEDAL SPEED CONTROL |
| | 18 | 33005604 | 1 | NUT SELF L. M6 UNI7474 |
| K1 | 19 | | 1 | RING D 40 UNI7436 |
| K1 | 20 | | 4 | SCREW CYL HD 5X16 SELF L. |
| | 21 | 9097950000 | 1 | FOOTREST |
| | 22 | 9097957000 | 1 | SPRING FOOTREST |
| | 23 | 9099051000 | 1 | LABELS KIT 26" DISC - 28" CYL. |
| | 24 | 33004352 | 1 | SCREW M6X50 UNI5931 |
| | 25 | 33003742 | 2 | WASHER 6X18 UNI6593 |
| [K1] | | 9098718000 | 1 | HW KIT COLUMN SYSTEM |

2010-10

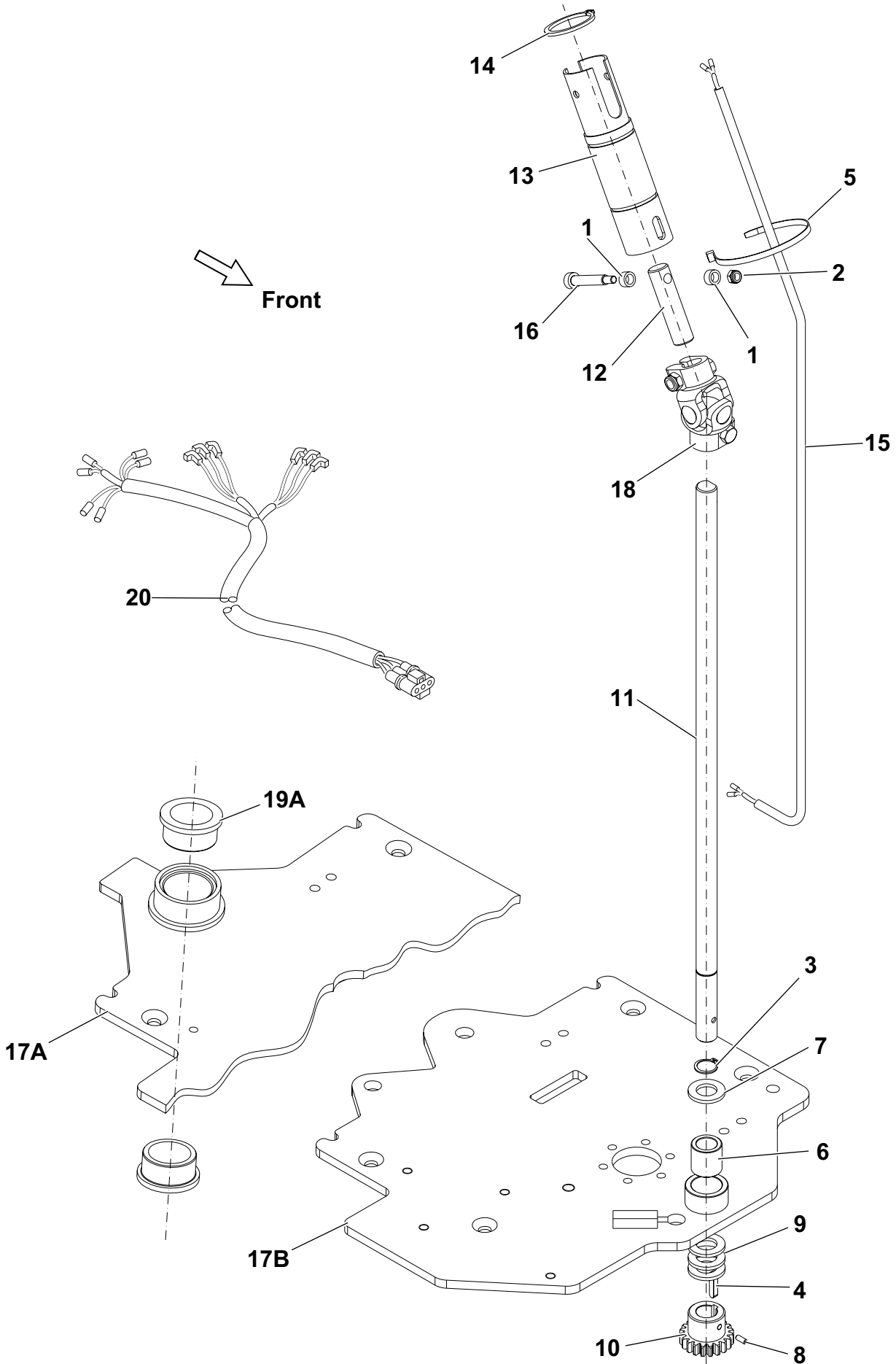
STEERING ASSY

SC3000 26" Disc - SC3000 28" Cyl.

11

| Kit | Item No. | Ref. No. | Qty | Description |
|------|----------|--------------|-----|---------------------------|
| K1 | 1 | | 10 | SCREW 3.9X13 UNI6954 |
| K1 | 2 | | 3 | SCREW M6X20 UNI5931 |
| K1 | 3 | | 4 | NUT SELF L. M5 UNI7474 |
| K1 | 4 | | 3 | WASHER M6 UNI1751B |
| K1 | 5 | | 4 | SCREW M5X45 UNI5931 |
| | 6 | 9097785000 | 1 | WHEEL STEERING D.320X281 |
| | 7 | 9097786000 | 1 | COVER DRIVE WHEEL |
| | 8 | 9097788000 | 1 | LEVER RIGHT PA YELLOW |
| | 9 | 9097789000 | 1 | LEVER LEFT PA |
| | 10 | 9097846000 | 1 | TUBE ADJUST.STEERING WHEE |
| | 11 | 9097921000 | 1 | GASKET ROUND D.2MM |
| | 12 | 9097922000 | 1 | CARD ELECTRONIC DASHBOARD |
| | 13 | 9097923000 | 2 | SPRING MOVING BOTTON |
| | 14 | 9097924000 | 2 | SPRING TORSION FOR STEERI |
| | 15 | 9097925000 | 1 | CAP REAR |
| | 16 | 9097986000 | 1 | DECAL CONTROL PANEL |
| | 17 | 146 2888 000 | 1 | SWITCH KEY WITH CAP |
| | 18 | 9097842000 | 1 | PLATE FIXING STEERING WHE |
| | 19 | 9097843000 | 2 | BUSH FLANGED D.40X44X52 |
| | 20 | 146 2887 000 | 1 | KEY -2 PCS- |
| | 21 | 9097792000 | 1 | CABLE DASHBOARD EXTENSION |
| [K1] | | 9098719000 | 1 | HW KIT STEERING ASSY |

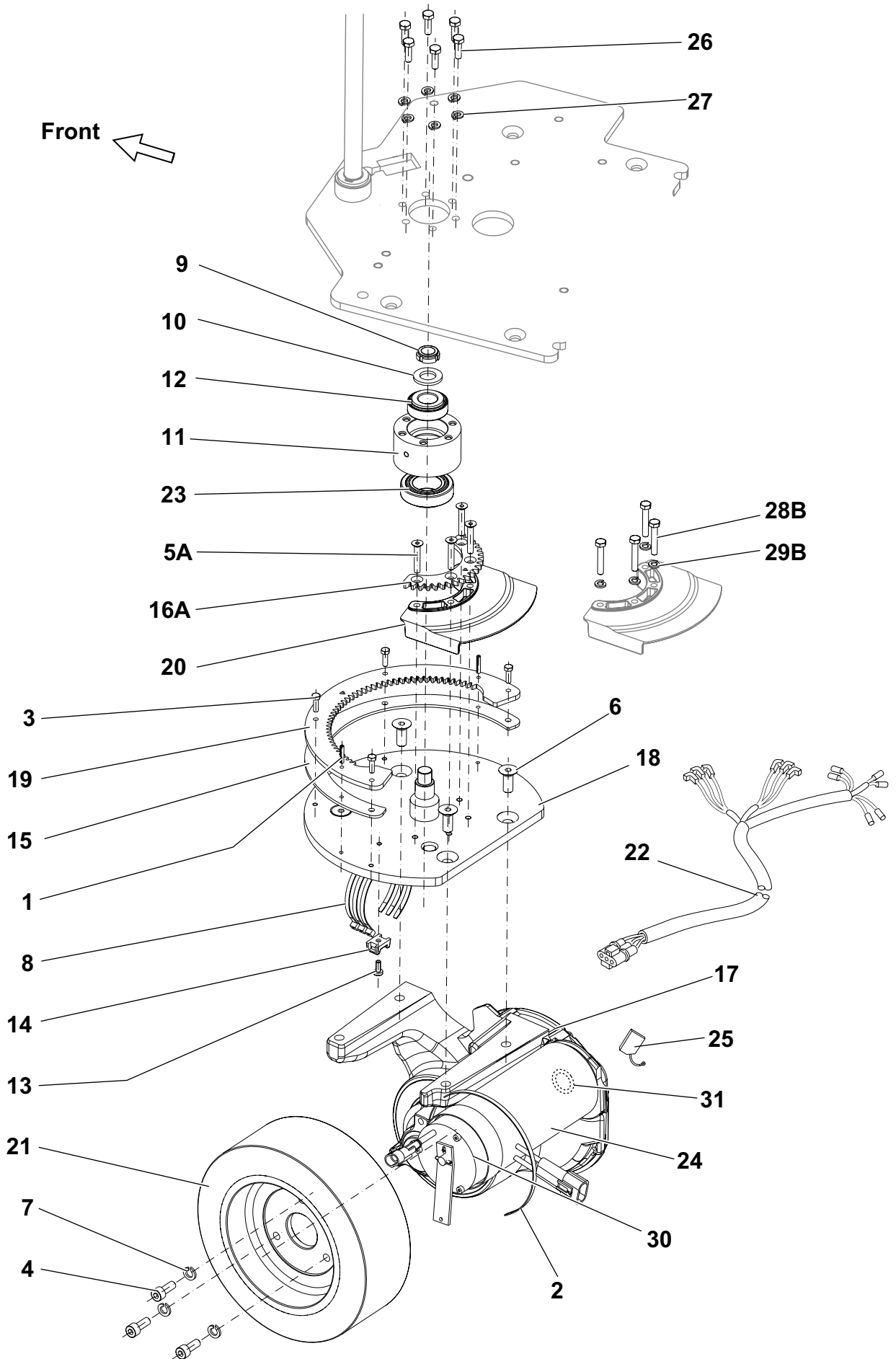
9098828000



| Kit | Item No. | Ref. No. | Qty | Description |
|------|----------|--------------|-----|-------------------------------|
| K1 | 1 | | 2 | SPACER 8.1X12X6.5 |
| K1 | 2 | | 1 | NUT SELF L. M6 UNI7474 |
| K1 | 3 | | 1 | RING D 17 UNI7435 |
| | 4 | 33007699 | 1 | KEY JOINT 5X25 |
| K1 | 5 | | 1 | CLAMP BLACK 4,8x200 |
| K1 | 6 | | 1 | BUSH (KIT ITEM 21) |
| K1 | 7 | | 1 | WASHER M16 UNI6592 |
| K1 | 8 | | 1 | SCREW GRUB M5X10 UNI5929 |
| K1 | 9 | | 3 | WASHER 16X30 UNI6592 |
| | 10 | 909 5943 000 | 1 | PINION STEERING |
| | 11 | 9097840000 | 1 | SHAFT STEERING L.546MM |
| | 12 | 9097844000 | 1 | SHAFT STEERING L.66MM |
| | 13 | 9097845000 | 1 | TUBE STEERING |
| K1 | 14 | | 1 | RING D 40 UNI7436 |
| | 15 | 9098094000 | 1 | HARNES STEERING WHEEL |
| | 16 | 9098166000 | 1 | SCREW SHOULDER M8X40 |
| | 17A | 9097937000 | 1 | PLATE STEERING SUPPORT |
| | 17B | 9098412000 | 1 | PLATE STEERING SUPPORT |
| | 18 | 145 9619 000 | 1 | JOINT UNIVERSAL D.17 |
| | 19A | 9098216000 | 1 | BUSH FLANGED D.30X38X44 |
| | 20A | 9098191000 | 1 | HARNES FOOT BOARD |
| | 20B | 9097932000 | 1 | HARNES FOOT BOARD |
| [K1] | | 9098720000 | 1 | HW KIT STEERING WHEEL SUPPORT |

A: ONLY FOR 26" DISC

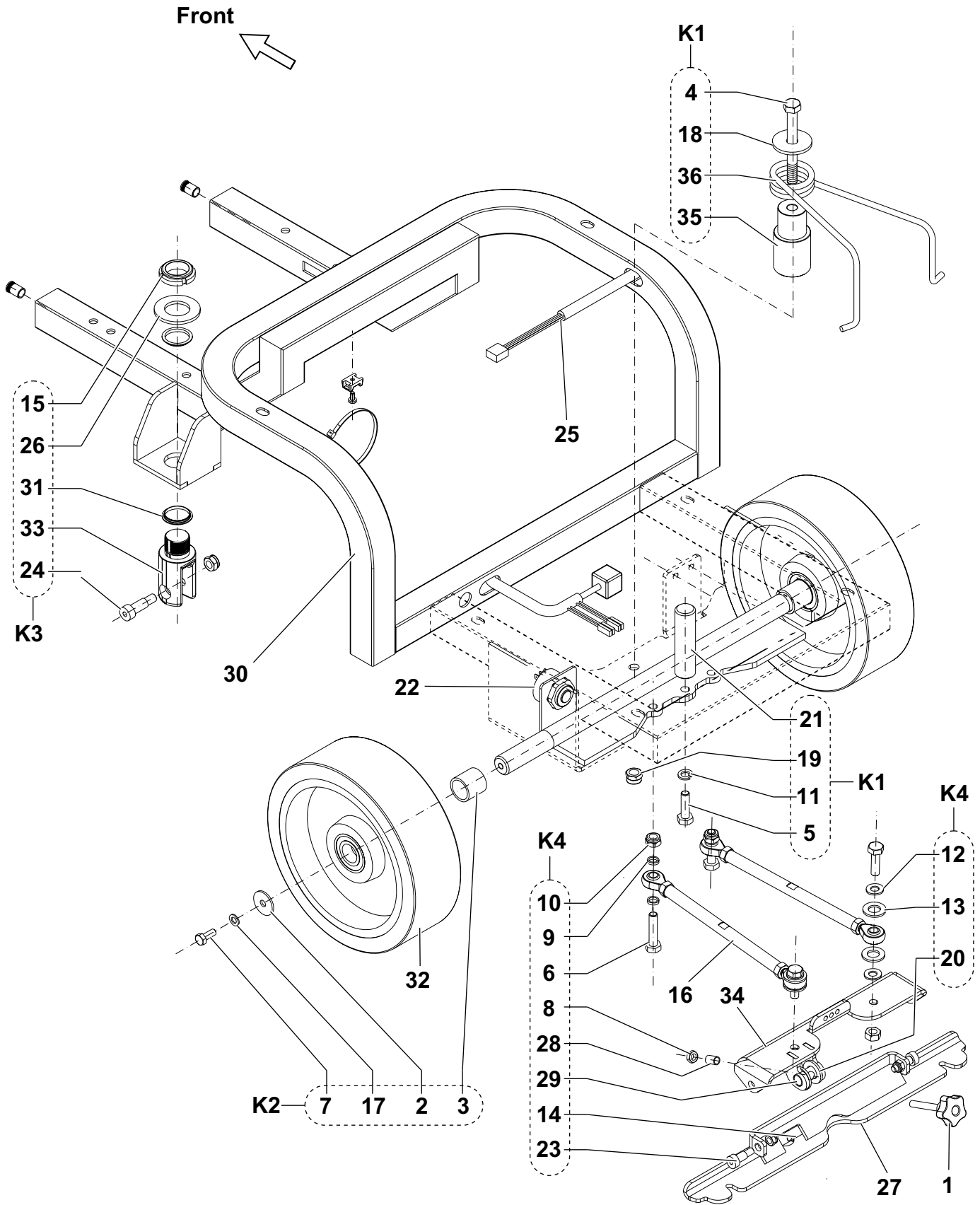
B: ONLY FOR 28"CYL.



| Kit | Item No. | Ref. No. | Qty | Description |
|------|----------|--------------|-----|---------------------------|
| K1 | 1 | | 2 | PIN 4X20 UNI6873 |
| K1 | 2 | | 1 | CLAMP 4.8X430 WHITE |
| K1 | 3 | | 4 | SCREW M5X16 UNI5739 |
| K1 | 4 | | 3 | SCREW M8X20 UNI5931 |
| K1 | 5A | | 4 | SCREW M6X35 UNI5933 |
| K1 | 6 | | 4 | SCREW M10X25 UNI5933 |
| K1 | 7 | | 3 | WASHER M8 UNI1751B |
| K1 | 8 | | 3 | CLAMP BLACK 4,8x200 |
| K1 | 9 | | 1 | NUT RING |
| K1 | 10 | | 1 | WASHER M16 UNI6592 |
| | 11 | 909 5941 000 | 1 | SUPPORT BALL BEARING |
| | 12 | 909 5942 000 | 1 | ROLLER BEARING |
| K1 | 13 | | 1 | SCREW M5X12 UNI7687 |
| K1 | 14 | | 1 | HOLDER.FLAT TIE |
| | 15 | 9097807000 | 1 | SPACER CROWN STEERING |
| | 16A | 9097809000 | 1 | GEAR MAIN Z45 |
| | 17 | 9097834000 | 1 | MOTOR WHEEL W300 24V |
| | 18 | 9097837000 | 1 | STEERING BRACKET |
| | 19 | 9097841000 | 1 | CROWN STEERING Z100 |
| | 20 | 9098165000 | 1 | PROTECTION DRIVE WHEEL WI |
| | 21 | 9098407000 | 1 | WHEEL DRIVE |
| | 22 | 9098430000 | 1 | HARNES WHEEL MOTOR |
| | 23 | 145 4691 000 | 1 | BALL BEARING |
| | 24 | 9098625000 | 1 | MOTOR ELECTRIC |
| | 25 | 9098627000 | 1 | BRUSH CARBON KIT |
| K1 | 26 | | 6 | SCREW M6X20 UNI5739 |
| K1 | 27 | | 6 | WASHER M6 UNI1751B |
| K1 | 28B | | 4 | SCREW M6X35 UNI5739 |
| K1 | 29B | | 4 | WASHER M6 UNI1751B |
| | 30 | 9098626000 | 1 | BRAKE ELECTRIC.RELEASED |
| | 31 | 9098800000 | 1 | SEAL OIL |
| [K1] | | 9098721000 | 1 | HW KIT DRIVE WHEEL |

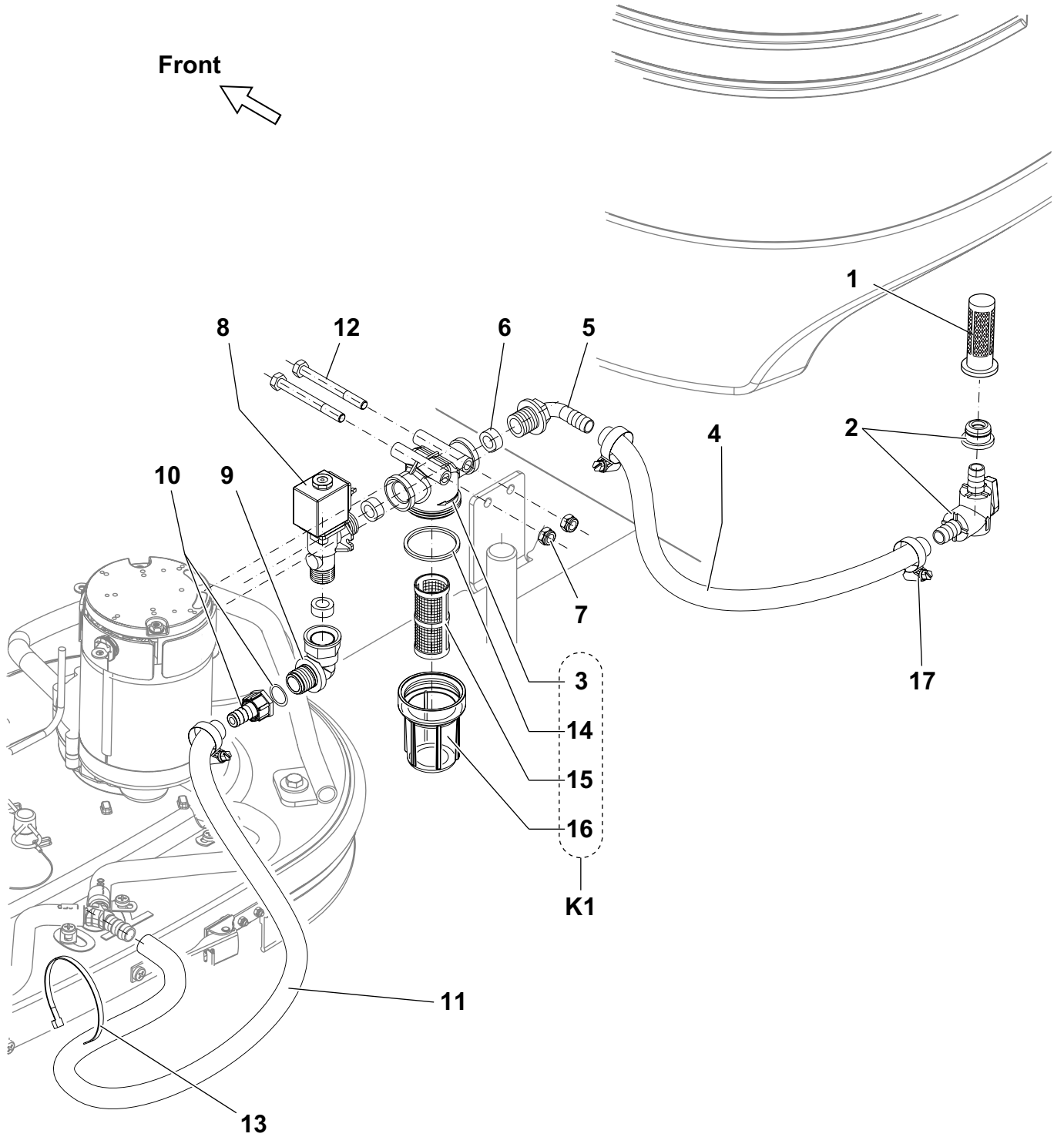
A: ONLY FOR 26" DISC

B: ONLY FOR 28"CYL.



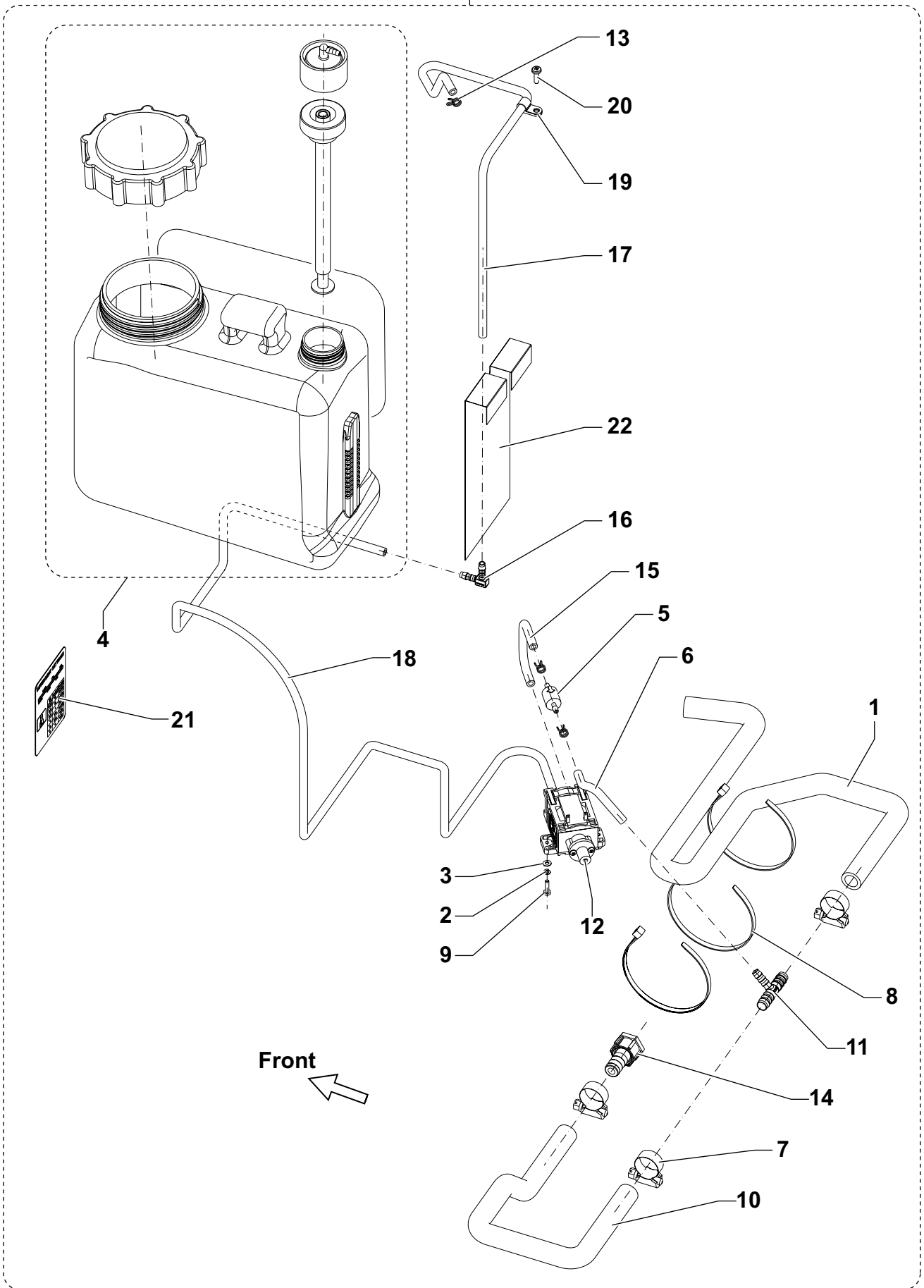
| Kit | Item No. | Ref. No. | Qty | Description |
|-----|----------|--------------|-----|---|
| | 1 | L08601574 | 1 | HANDWHEEL M8X55 |
| K2 | 2 | | 2 | WASHER 8X32 UNI6593 |
| K2 | 3 | | 2 | SPACER D. 26X32X30 |
| K1 | 4 | | 1 | SCREW M12X110 UNI5737 |
| K1 | 5 | | 3 | SCREW M10X35 UNI5739 |
| K4 | 6 | | 2 | SCREW M10X45 UNI5739 |
| K2 | 7 | | 2 | SCREW M8X20 UNI5739 |
| K4 | 8 | | 1 | NUT HEX M8 UNI5589 |
| K4 | 9 | | 4 | SPACER D.10.5X14X3 |
| K4 | 10 | | 2 | NUT SELF L. M10 UNI7474 |
| K1 | 11 | | 1 | WASHER M10 UNI1751B |
| K4 | 12 | | 4 | WASHER M10 UNI6592 |
| K4 | 13 | | 4 | WASHER M14 UNI6592 |
| K4 | 14 | | 1 | SPACER ADJUSTING SQUEEGEE |
| K3 | 15 | | 1 | NUT RING |
| | 16 | 9097931000 | 2 | ROD EYE M10 |
| K2 | 17 | | 2 | WASHER |
| K1 | 18 | | 1 | WASHER |
| K1 | 19 | | 1 | NUT SELF L. M12 UNI7474 |
| K4 | 20 | | 2 | WASHER 16X30 UNI6592 |
| K1 | 21 | | 1 | PIN FOR SQUEEGEE SPRING |
| | 22 | 909 6126 000 | 1 | BUZZER 5-32V |
| K4 | 23 | | 2 | SCREW SHOULDER M10X16 |
| K3 | 24 | | 1 | SCREW SHOULDER M12X25 |
| | 25 | 9098236000 | 1 | HARNES REAR MACHINE |
| K3 | 26 | | 1 | WASHER M30 UNI6592 |
| | 27 | 9098390000 | 1 | SUPPORT SQUEEGEE DOWN |
| K4 | 28 | | 1 | SPACER D. 8X10X15.5 |
| K4 | 29 | | 1 | SPACER WITH HOLE |
| | 30 | 9097798000 | 1 | CHASSIS |
| K3 | 31 | | 2 | BUSH FLANGED D.30X32X37 |
| | 32 | 9097816000 | 2 | WHEEL REAR D.254 80SH GRE |
| K3 | 33 | | 1 | BRACKET TURNING |
| | 34 | 9097827000 | 1 | SUPPORT SQUEEGEE UPPER |
| K1 | 35 | | 1 | PIN SUPPORT SQUEEGEE SPRI |
| K1 | 36 | | 1 | SPRING ZERO SETTING SQUEE |
| | K1 | 9098722000 | 1 | CENTRING SQUEEGEE KIT |
| | K2 | 9098723000 | 1 | FIXING WHEELS KIT |
| | K3 | 9098724000 | 1 | BRACKET TURNING KIT (ONLY FOR 26" DISC) |
| | K4 | 9098725000 | 1 | HW KIT ROD EYE |

Front



| Kit | Item No. | Ref. No. | Qty | Description |
|-----|----------|--------------|-----|---------------------------|
| | 1* | 9096916000 | 1 | FILTER SOLUTION TANK |
| | 2 | 9097626000 | 1 | VALVE ELBOW KIT |
| K1 | 3 | | 1 | BODY FILTER |
| | 4 | 9098120000 | 1 | PIPE MT.0.323 |
| | 5 | 909 6087 000 | 1 | NIPPLE 90° G1/2 |
| | 6 | 9097484000 | 3 | GASKET |
| K2 | 7 | | 2 | NUT SELF L. M8 UNI7474 |
| | 8 | 909 6555 000 | 1 | SOLENOID VALVE 24V |
| | 9 | 909 6086 000 | 1 | ELBOW CURVED M/F |
| | 10 | 9097115000 | 1 | HOLDER RUBBER 1/2 FEMALE |
| | 11 | 9097821000 | 1 | PIPE MT 1.02 |
| K2 | 12 | | 2 | SCREW M8X75 UNI5737 |
| K2 | 13 | | 1 | CLAMP BLACK 4,8x200 |
| K1 | 14 | 9097943000 | 1 | GASKET FOR WATER FILTER |
| K1 | 15 | 9097944000 | 1 | FILTER NET SS 50 MESH FOR |
| K1 | 16 | 9097945000 | 1 | OVER TRASPARENT FOR WATE |
| K2 | 17 | | 3 | CLAMP 09/12-22 |
| | K1 | 9098115000 | 1 | FILTER WATER KIT |
| | [K2] | 9098726000 | 1 | HW KIT SOLUTION SYSTEM |

K1



| | | | |
|---------|-----------------------------------|--|----|
| 2010-10 | ECOFLEX™ | | |
| 2011-02 | SC3000 26" Disc - SC3000 28" Cyl. | | 21 |

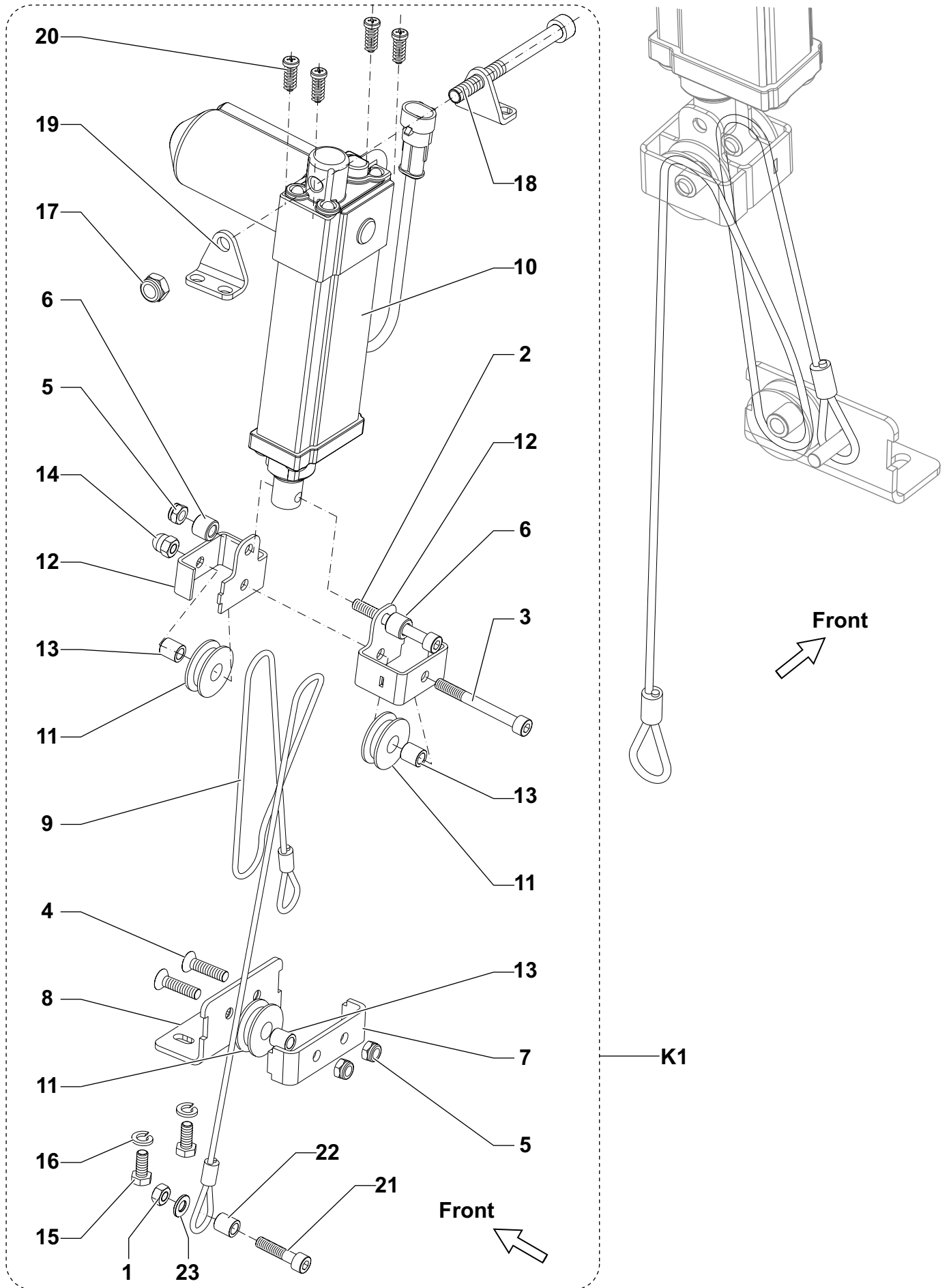
| Kit | Item No. | Ref. No. | Qty | Description |
|-----|----------|--------------|-----|---------------------------------|
| K1 | 1 | | 1 | PIPE d.12 MT 0,64 |
| K1 | 2 | | 2 | WASHER M3 UNI1751B |
| K1 | 3 | | 2 | WASHER M3 UNI6592 |
| K1 | 4 | 909 6903 000 | 1 | TANK CHEMICAL KIT |
| K1 | 5 | 56315522 | 1 | VALVE CHECK |
| K1 | 6 | | 1 | PIPE SILICON di.4 de.7 MT 0,9 |
| K1 | 7 | | 3 | CLAMP |
| K1 | 8 | | 3 | CLAMP CABLE BLACK |
| K1 | 9 | | 2 | SCREW HEX HD M3X12 |
| K1 | 10 | | 1 | PIPE d.12 MT 0,38 |
| K1 | 11 | | 1 | HOLDER RUBBER T |
| K1 | 12 | 909 6183 000 | 1 | PUMP CHEMICAL MIX |
| K1 | 13 | | 5 | CLAMP |
| K1 | 14 | | 1 | HOLDER RUBBER 1/2 FEMALE |
| K1 | 15 | | 1 | PIPE SILICON di.4 de.7 MT 0,9 |
| K1 | 16 | | 1 | HOLDER RUBBER 90. D.5 |
| K1 | 17 | | 1 | PIPE SILICON di.4 de.7 MT 0,315 |
| K1 | 18 | | 1 | PIPE SILICON di.4 de.7 MT 0,910 |
| K1 | 19# | | 1 | CLAMP GREY |
| K1 | 20# | | 1 | SCREW 3,9X13 UNI6954 |
| K1 | 21# | | 1 | DECAL DETERGENT ADJUSTING |
| K1 | 22# | | 1 | TRANSPARENT ADHESIVE |
| | K1 | 9097818000 | 1 | ECOFLEX KIT |

SQUEEGEE RAISING ASSY

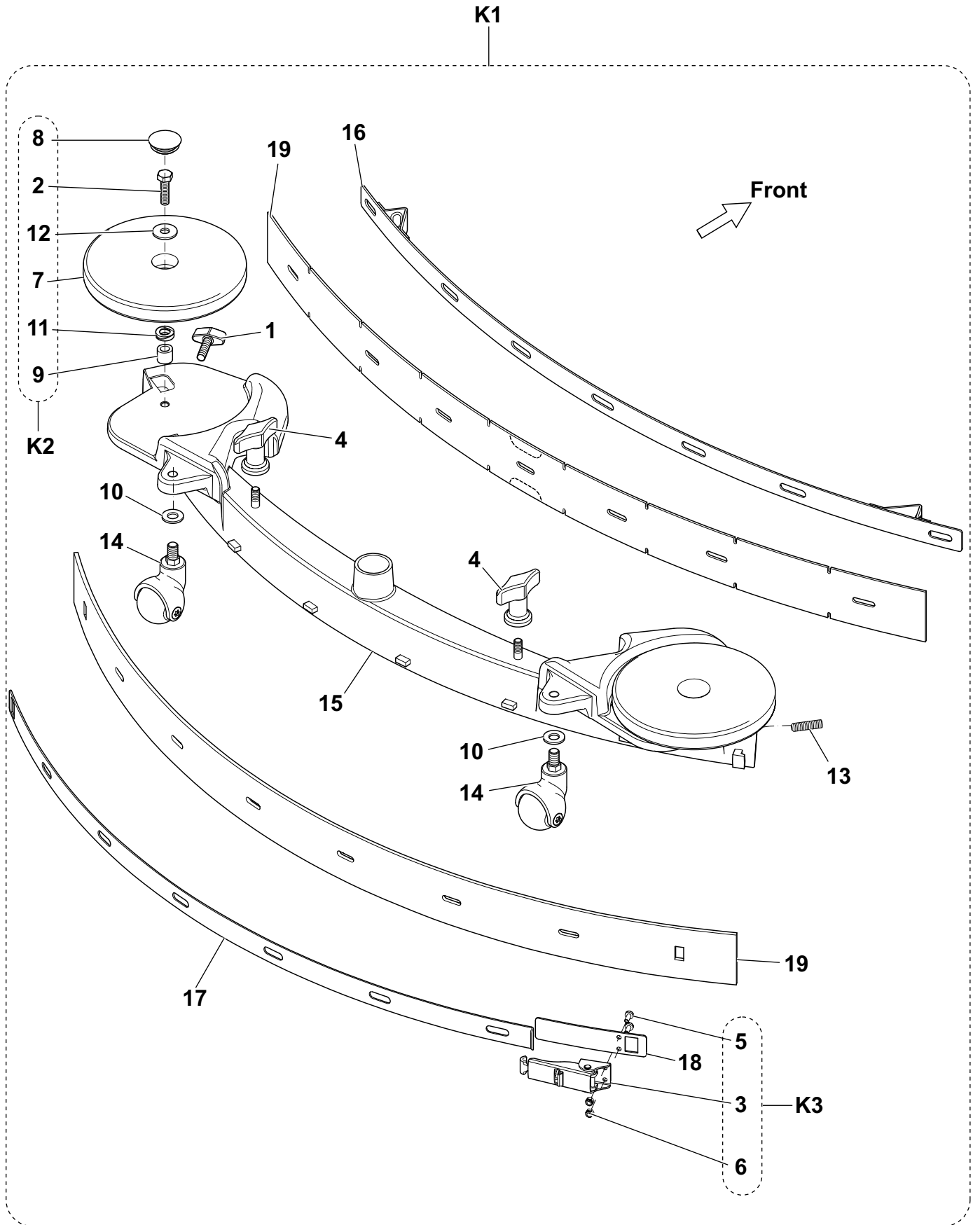
2010-10

22

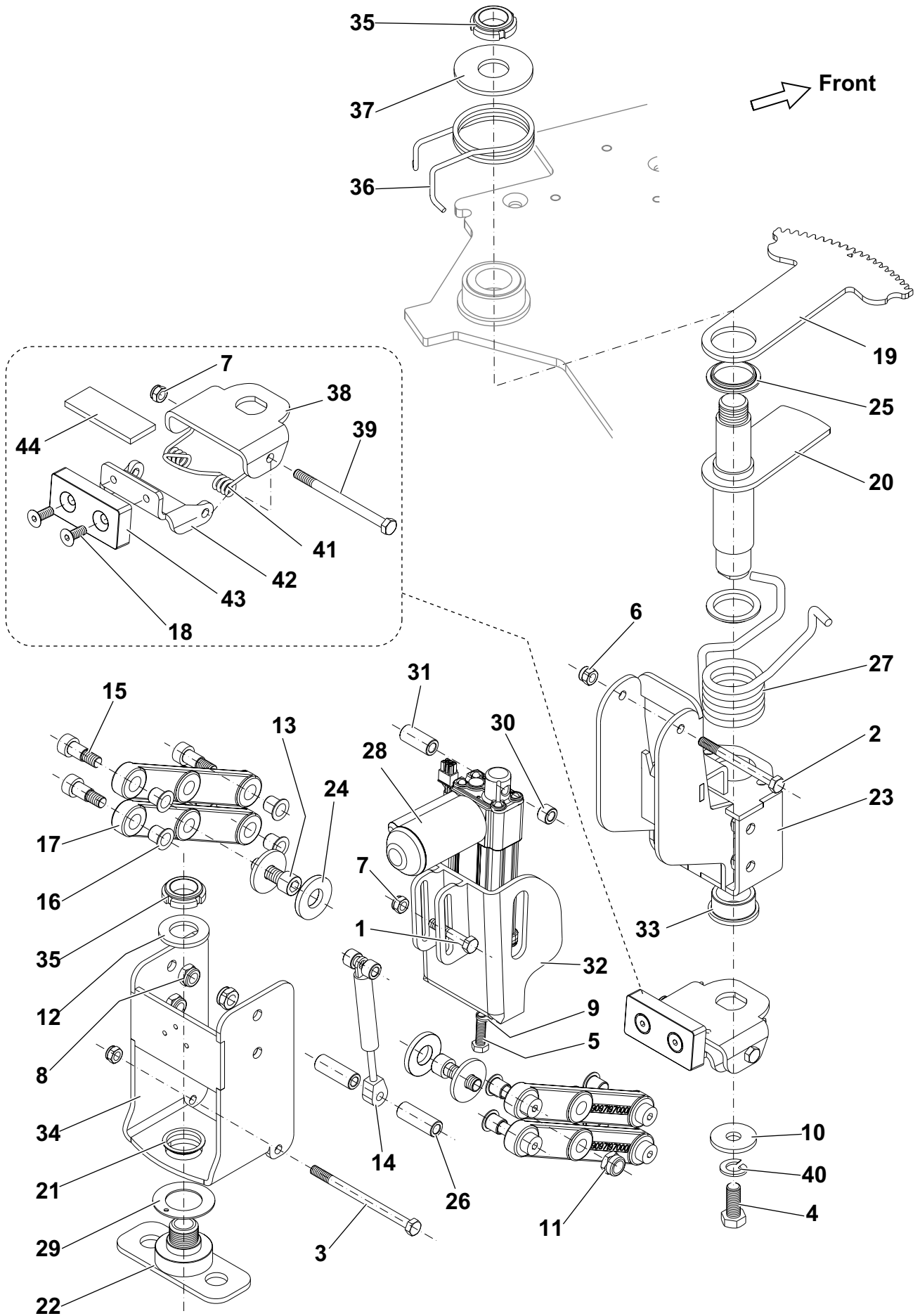
SC3000 26" Disc - SC3000 28" Cyl.



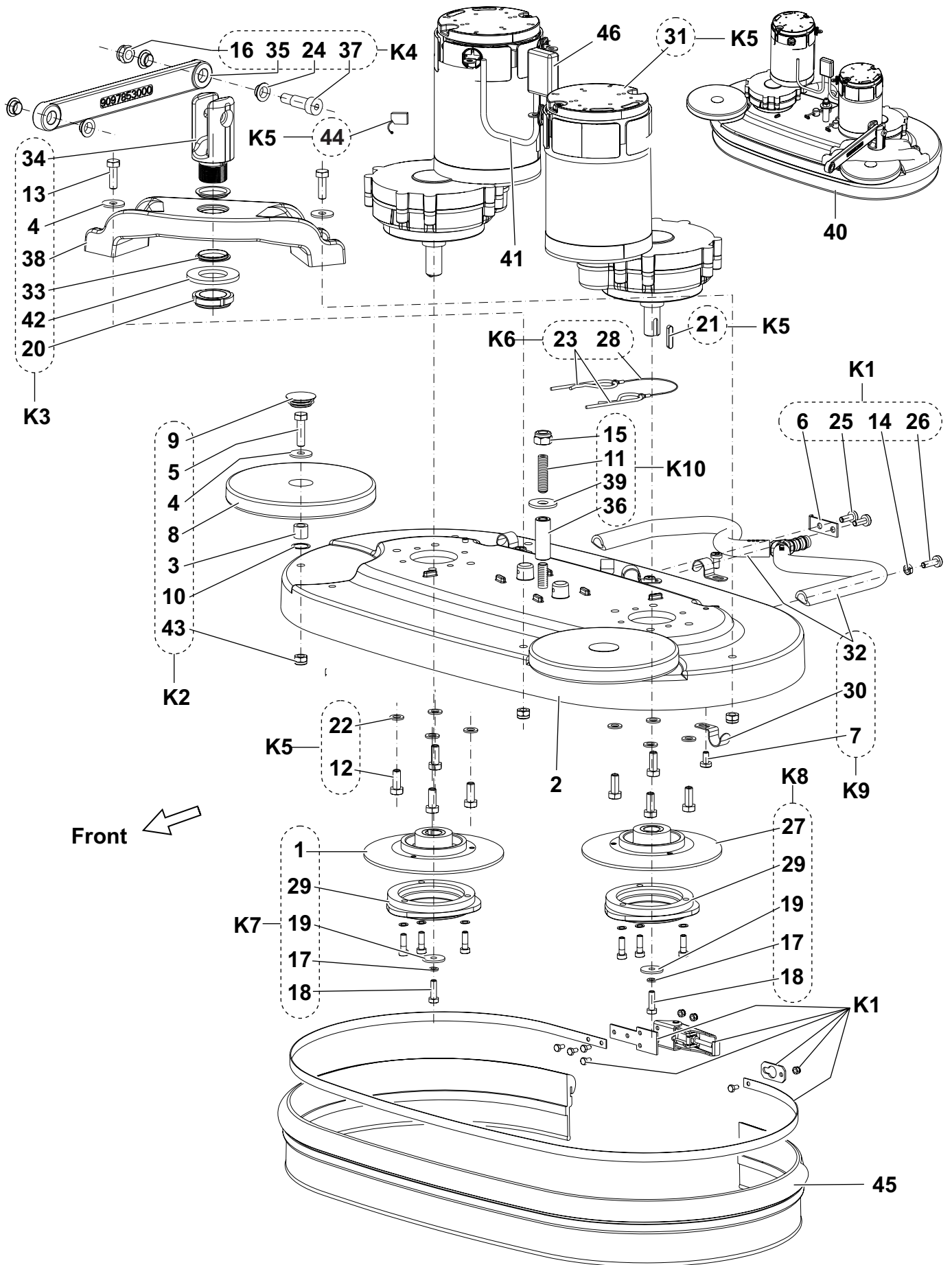
| Kit | Item No. | Ref. No. | Qty | Description |
|-----|----------|------------|-----|---------------------------|
| K1 | 1 | | 1 | NUT SELF L. M6 UNI7474 SS |
| K1 | 2 | | 1 | SCREW M6X50 UNI5931 |
| K1 | 3 | | 1 | SCREW M6X55 UNI5931 |
| K1 | 4 | | 2 | SCREW M6X25 UNI5933 |
| K1 | 5 | | 3 | NUT SELF L. M6 UNI7474 |
| K1 | 6 | | 2 | SPACER 6,5X12X10 |
| K1 | 7 | | 1 | PLATE COUNTER |
| K1 | 8 | | 1 | SUPPORT COUNTERPLATE |
| K1 | 9 | 9097933000 | 1 | CABLE SQUEEGEE LIFTING |
| K1 | 10 | 9097985000 | 1 | JACK MOTOR 24V FOR SQUEEG |
| K1 | 11 | 9098248000 | 3 | PULLEY D.30 |
| K1 | 12 | | 2 | BRACKET PULLEY SUPPORT |
| K1 | 13 | | 3 | SPACER D. 6.5X10X10.5 |
| K1 | 14 | | 1 | NUT HEX M6 UNI5721 |
| K1 | 15 | | 2 | SCREW M6X14 UNI5739 |
| K1 | 16 | | 2 | WASHER M6 UNI1751B |
| K1 | 17 | | 1 | NUT SELF L. M8 UNI7474 |
| K1 | 18 | | 1 | SCREW M8X90 UNI5931 |
| K1 | 19 | | 1 | BRACKET SUPPORT JACK MOTO |
| K1 | 20 | | 4 | SCREW CYL HD 5X16 SELF L. |
| K1 | 21 | | 1 | SCREW M6X20 ISO7380 SS |
| K1 | 22 | | 1 | SPACER 6.5X10X5 |
| K1 | 23 | | 1 | WASHER 6X18X1.5 UNI6593 |
| | K1 | 9098708000 | 1 | SQUEEGEE LIFTING KIT |



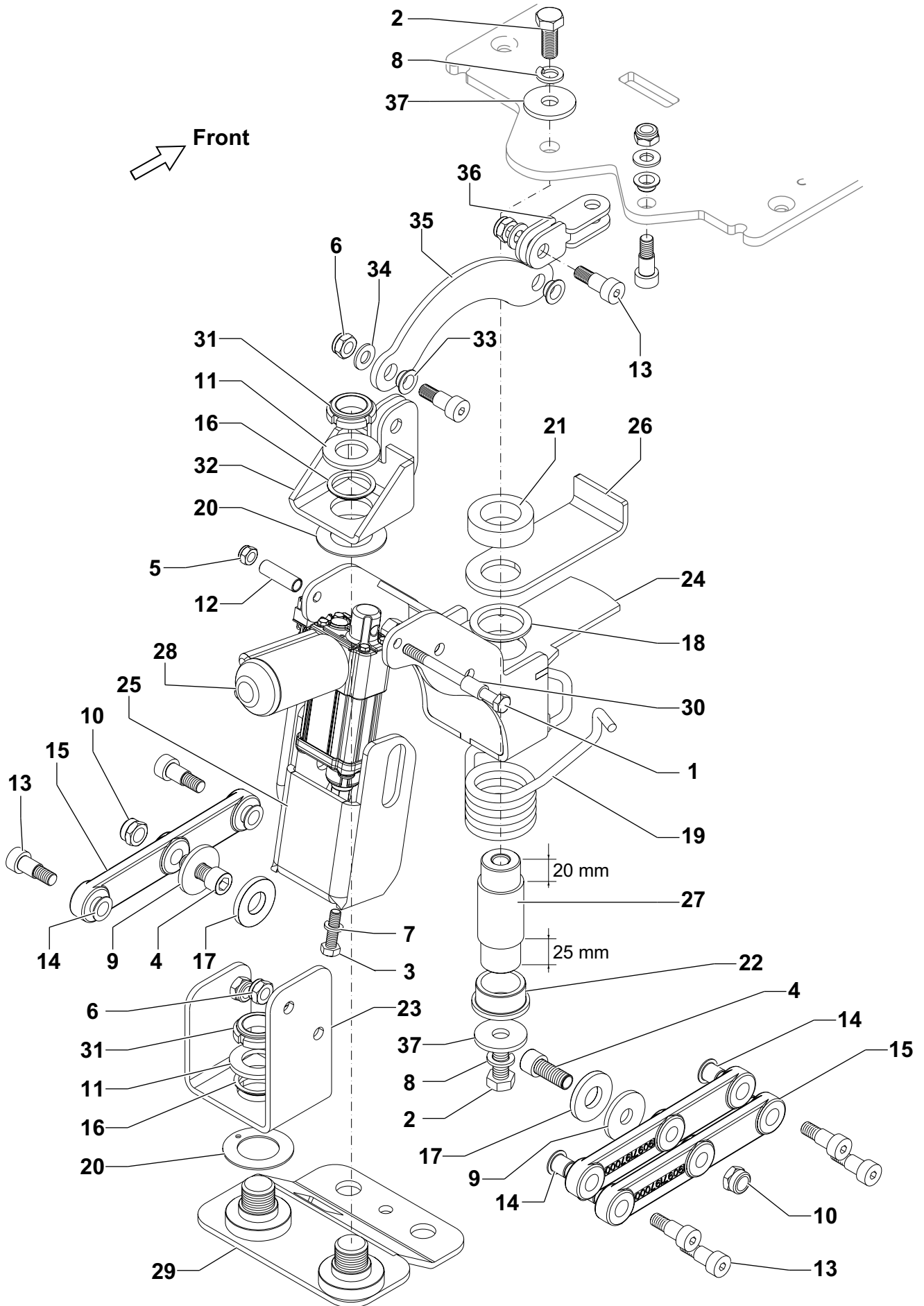
| Kit | Item No. | Ref. No. | Qty | Description |
|-----|----------|--------------|-----|-------------------------------|
| K1 | 1 | 909 6551 000 | 1 | KNOB M8X30 SS |
| K2 | 2 | | 2 | SCREW M8X30 UNI5739 SS |
| K3 | 3 | | 1 | LATCH SQUEEGEE |
| K1 | 4 | 9097637000 | 1 | SQUEEGEE FIXING KIT |
| K3 | 5 | | 2 | SCREW M4X10 UNI7687 SS |
| K3 | 6 | | 2 | NUT SELF L. M4 UNI7474 SS |
| K2 | 7 | | 2 | ROLLER BUMPER |
| K2 | 8 | | 2 | CAP. BLACK |
| K2 | 9 | | 2 | SPACER 9X15X13 |
| K1 | 10 | | 2 | WASHER M10 UNI6592 |
| K2 | 11 | | 2 | WASHER 10X18 UNI8840A |
| K2 | 12 | | 2 | WASHER SST |
| K1 | 13 | 909 6600 000 | 1 | SCREW GRUB M8X30 UNI5929 |
| K1 | 14 | 9098307000 | 2 | WHEEL CASTOR D.42 |
| K1 | 15 | 9098379000 | 1 | WELDMENT SQUEEGEE TOOL |
| K1 | 16 | 9098380000 | 1 | STRAP FRONT SQUEEGEE 35 |
| K1 | 17 | 9098381000 | 1 | STRAP SKIRT REAR RIGHT 35 |
| K1 | 18 | 9098382000 | 1 | STRAP SKIRT REAR LEFT 35 |
| K1 | 19 | 9098729000 | 1 | BLADES PU 890MM/35" KIT |
| | K1 | 9098728000 | 1 | SQUEEGEE CPL PU 890MM/35" KIT |
| K1 | K2 | 909 6887 000 | 2 | ROLLER BUMPER KIT |
| K1 | K3 | 909 6394 000 | 1 | LATCH SQUEEGEE KIT |



| Kit | Item No. | Ref. No. | Qty | Description |
|------|----------|--------------|-----|---------------------------|
| K1 | 1 | | 1 | SCREW M8X45 UNI5737 |
| K1 | 2 | | 1 | SCREW M8X90 UNI5737 |
| K1 | 3 | | 1 | SCREW M8X120 UNI5737 |
| K1 | 4 | | 1 | SCREW M12X30 UNI5739 |
| K1 | 5 | | 1 | SCREW M8X30 UNI5739 |
| K1 | 6 | | 1 | NUT SELF L. M8 UNI7473 |
| K1 | 7 | | 3 | NUT SELF L. M8 UNI7474 |
| K1 | 8 | | 4 | NUT SELF L. M10 UNI7474 |
| K1 | 9 | | 1 | WASHER M8 UNI1751B |
| K1 | 10 | | 3 | WASHER 12X40X4 |
| K1 | 11 | | 2 | NUT SELF L. M12 UNI7474 |
| K1 | 12 | | 1 | WASHER M24 UNI6592 |
| K1 | 13 | | 2 | SCREW M12X35 UNI5931 |
| | 14 | 909 5637 000 | 1 | SPRING GAS |
| | 15 | 909 6520 000 | 8 | SCREW SHOULDER M12X16 |
| | 16 | 9097008000 | 8 | BUSH FLANGED |
| | 17 | 9097197000 | 4 | LEVER |
| K1 | 18 | | 2 | SCREW M8X20 UNI5933 |
| | 19 | 9097810000 | 1 | GEAR SLAVE |
| | 20 | 9097811000 | 1 | PIN DRIVEN CROWN |
| | 21 | 9097812000 | 1 | BUSH FLANGED D.30X32X37 |
| | 22 | 9097819000 | 1 | BRACKET ROTATING SUPPORT |
| | 23 | 9097822000 | 1 | SUPPORT JACK |
| | 24 | 9097824000 | 2 | BUSH D.18.2X40 |
| | 25 | 9097835000 | 2 | BUSH FLANGED D.35X39X47 |
| | 26 | 9097836000 | 2 | SPACER D. 8.5X15X42 |
| | 27 | 9097850000 | 1 | SPRING DRAGGING DECK |
| | 28 | 9097852000 | 1 | JACK MOTOR 24V FOR DECK |
| | 29 | 9097854000 | 1 | BUSH D.32X54 |
| | 30 | 9097938000 | 3 | SPACER D. 8.5X15X10 |
| | 31 | 9097939000 | 1 | SPACER D. 8.5X15X33 |
| | 32 | 9098176000 | 1 | BRACKET LOWER JACK MOTOR |
| | 33 | 9098216000 | 1 | BUSH FLANGED D.30X38X44 |
| | 34 | 9098220000 | 1 | BRACKET SUPPORT DECK |
| | 35 | 9097823000 | 2 | NUT RING M25X1,5 KMA5 |
| | 36 | 9097851000 | 1 | SPRING ZERO SETTING BRUSH |
| | 37 | 9098239000 | 1 | WASHER FLAT D.25.5X65X4 |
| | 38 | 9098195000 | 1 | FLANGE UP DRAGGING |
| K1 | 39 | | 1 | SCREW M8X110 UNI5737 |
| K1 | 40 | | 1 | WASHER M12 UNI1751B |
| | 41 | 9098197000 | 1 | SPRING INSERTION DRAGGING |
| | 42 | 9098196000 | 1 | FLANGE DOWN DRAGGING |
| | 43 | 9097813000 | 1 | GUIDE DRAGGING DECK |
| | 44 | 9098857000 | 1 | RUBBER ANTISHOCK |
| [K1] | | 9098727000 | 1 | HW SUPPORT BRUSH DECK KIT |



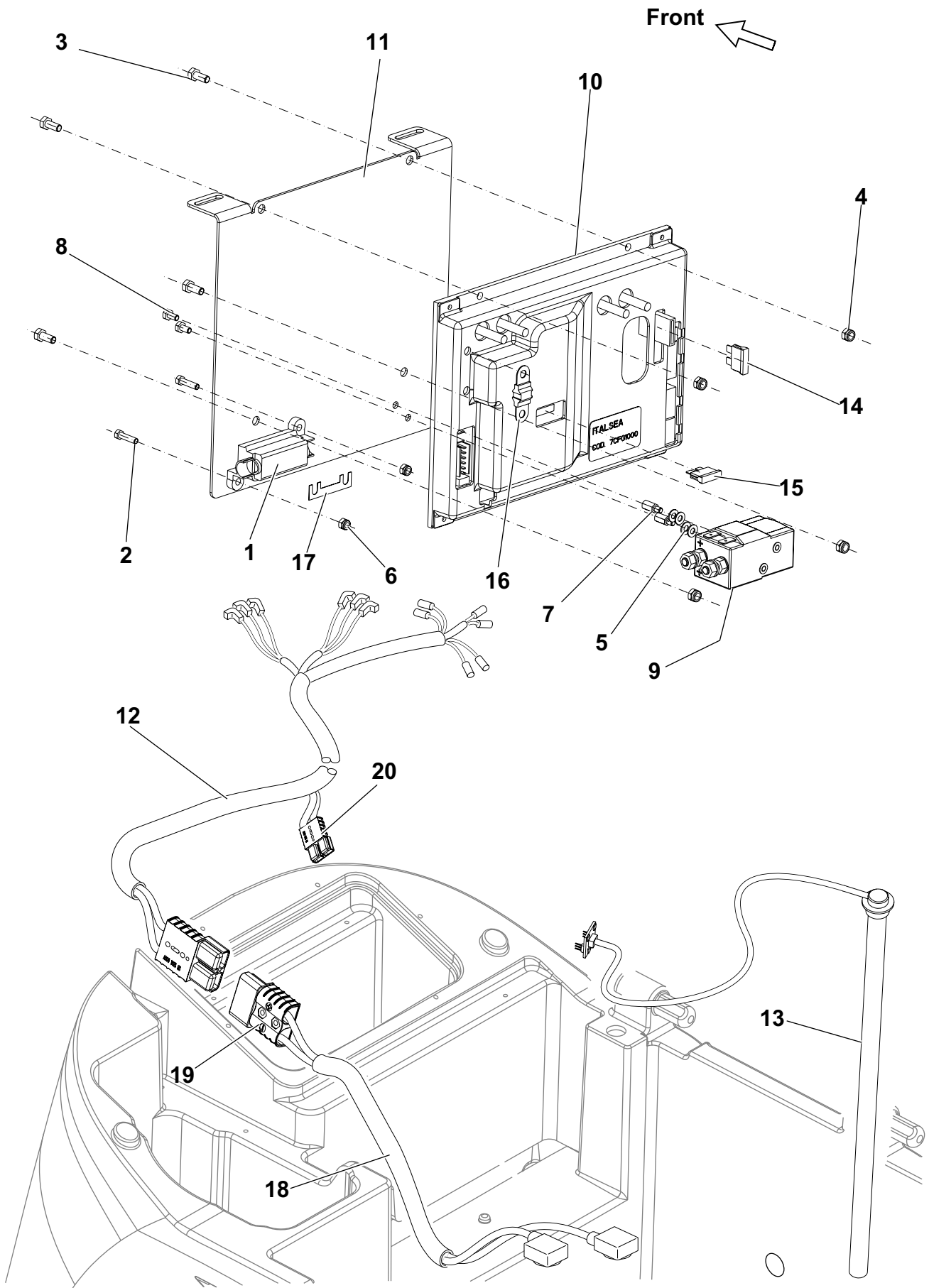
| Kit | Item No. | Ref. No. | Qty | Description |
|------|------------|-------------------|----------|------------------------------------|
| K7 | 1 | | 1 | HOLDER POLYGONAL LEFT |
| | 2 | 909 5226 000 | 1 | DECK BRUSH 26" |
| K2 | 3 | | 2 | WASHER 15 |
| K2-3 | 4 | | 6 | WASHER 8X24 UNI6593 |
| K2 | 5 | | 2 | SCREW M8X30 UNI5739 SS |
| K1 | 6 | | 1 | PLATE BENT |
| K9 | 7 | | 6 | SCREW M6X12 UNI7687 SS |
| K2 | 8 | | 2 | ROLLER BUMPER |
| K2 | 9 | | 2 | CAP. BLACK |
| K2 | 10 | | 2 | SPACER 9X15X13 |
| K10 | 11 | | 1 | WASHER 10X30 UNI6593 |
| K5 | 12 | | 8 | SCREW M8X20 UNI5739 |
| K3 | 13 | | 4 | SCREW M8X25 UNI5739 |
| K1 | 14 | | 1 | NUT HEX M6 UNI5589 |
| K10 | 15 | | 1 | NUT SELF L. M10 UNI7473 |
| K4 | 16 | | 1 | NUT SELF L. M10 UNI7474 |
| K7-8 | 17 | | 2 | WASHER |
| K7-8 | 18 | | 2 | SCREW |
| K7-8 | 19 | | 2 | WASHER |
| K3 | 20 | | 1 | NUT RING |
| K5 | 21 | 145 8024 000 | 2 | KEY JOINT |
| K5 | 22 | | 8 | WASHER |
| K6 | 23 | | 2 | PIN |
| K4 | 24 | | 4 | BUSH FLANGED |
| K1 | 25 | | 2 | SCREW M6X16 UNI7687 SS |
| K1 | 26 | | 1 | SCREW M6X20 UNI7687 SS |
| K8 | 27 | | 1 | HOLDER POLYGONAL LEFT |
| K6 | 28 | | 1 | CABLE STAINLESS STEEL |
| K7-8 | 29 | L08812480 | 2 | HUB.BRUSH |
| K9 | 30 | | 6 | CLAMP D.16 |
| K5 | 31 | | 2 | REDUCTION GEARMOTOR 400W |
| K9 | 32 | | 1 | PIPE WATER |
| K3 | 33 | | 2 | BUSH FLANGED D.30X32X37 |
| K3 | 34 | | 1 | BRACKET TURNING |
| K4 | 35 | | 1 | ARM SIDE |
| K10 | 36 | | 1 | SPACER THREADED |
| K4 | 37 | | 1 | SCREW SHOULDER M12X25 |
| K3 | 38 | | 1 | SPACER SIDE ARM |
| K10 | 39 | | 1 | SCREW GRUB M10X40 UNI5929 |
| | 40 | 9098741000 | 1 | DECK BRUSHES 26" KIT |
| | 41 | 9098374000 | 1 | HARNES BRUSH DECK |
| K3 | 42 | | 1 | WASHER M30 UNI6592 |
| K2 | 43 | | 6 | NUT SELFLOCKING LOW M8 UN |
| K5 | 44 | 909 5380 000 | 2 | BRUSH CARBON W/HOLDER KIT |
| | 45 | 909 5224 000 | 1 | SPLASH GUARD DECK 26" |
| | 45* | 9097474000 | 1 | SPLASH GUARD W/BRISTLES 26" |
| | 46 | 9098761000 | 1 | CONNECTOR 50A RED |
| | K1 | 909 5398 000 | 1 | SPLASH GUARD FIXING KIT 26" |
| | K2 | 909 6887 000 | 2 | ROLLER BUMPER KIT |
| | K3 | 9098730000 | 1 | SPACER SIDE ARM KIT |
| | K4 | 9098731000 | 1 | ARM SIDE KIT |
| | K5 | 9097638000 | 2 | REDUCTION GEARMOTOR 400W |
| | K6 | 909 6354 000 | 1 | SPLIT PINS W/CABLE KIT |
| | K7 | 9097640000 | 1 | HOLDER POLYGONAL RIGHT 26" |
| | K8 | 9097639000 | 1 | HOLDER POLYGONAL LEFT 26" |
| | K9 | 9097644000 | 1 | HOSE WATER BRUSH DECK 26" |
| | K10 | 9098732000 | 1 | FIXING DECK KIT |



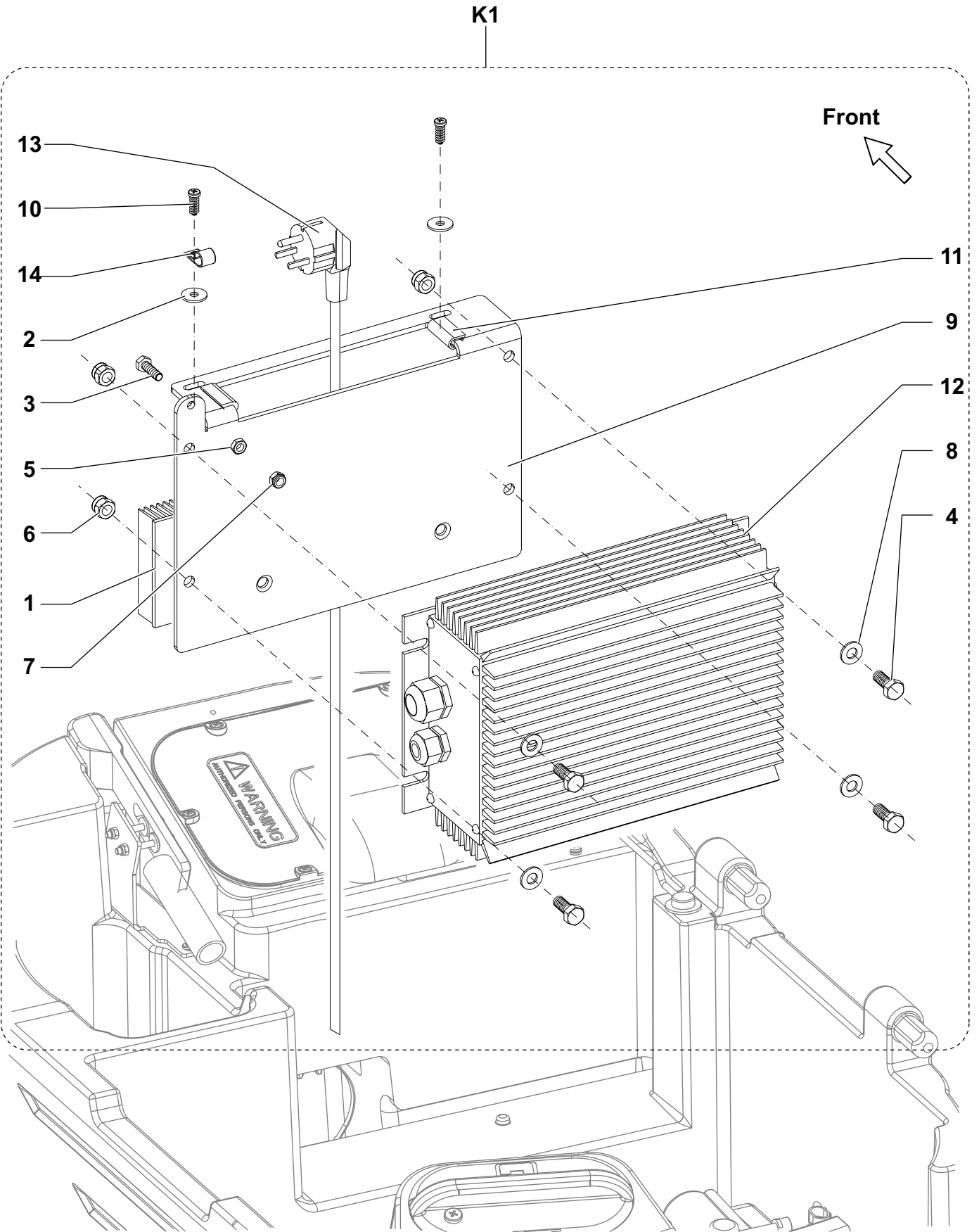
| Kit | Item No. | Ref. No. | Qty | Description |
|-----|----------|--------------|-----|----------------------------|
| K1 | 1 | | 1 | SCREW M8X100 UNI5737 |
| K1 | 2 | | 2 | SCREW M12X30 UNI5739 |
| K1 | 3 | | 1 | SCREW M8X30 UNI5739 |
| K1 | 4 | | 2 | SCREW M12X30 UNI5931 |
| K1 | 5 | | 1 | NUT SELF L. M8 UNI7474 |
| K1 | 6 | | 6 | NUT SELF L. M10 UNI7474 |
| K1 | 7 | | 1 | WASHER M8 UNI1751B |
| K1 | 8 | | 2 | WASHER M12 UNI1751B |
| K1 | 9 | | 2 | WASHER 12X40X4 |
| K1 | 10 | | 2 | NUT SELF L. M12 UNI7474 |
| K1 | 11 | | 2 | WASHER M24 UNI6592 |
| | 12 | 9097920000 | 1 | SPACER |
| K1 | 13 | | 9 | SCREW SHOULDER M12X16 |
| | 14 | 9097008000 | 6 | BUSH FLANGED |
| | 15 | 9097197000 | 3 | LEVER |
| | 16 | 9097812000 | 2 | BUSH FLANGED D.30X32X37 |
| | 17 | 9097824000 | 2 | BUSH D.18.2X40 |
| | 18 | 9097835000 | 1 | BUSH FLANGED D.35X39X47 |
| | 19 | 9097850000 | 1 | SPRING DRAGGING DECK |
| | 20 | 9097854000 | 2 | BUSH D.32X54 |
| | 21 | 9098121000 | 1 | SPACER D.31X50X14.5 NYLON |
| | 22 | 9098216000 | 1 | BUSH FLANGED D.30X38X44 |
| | 23 | 9098409000 | 1 | BRACKET SUPPORT CYL.DECK |
| | 24 | 9098410000 | 1 | SUPPORT JACK CYL.DECK |
| | 25 | 9098411000 | 1 | BRACKET LOWER JACK MOTOR |
| | 26 | 9098415000 | 1 | PLATE SPRING SUPPORT |
| | 27 | 9098416000 | 1 | PIN SUPPORT JACK MOTOR CY |
| | 28 | 9098417000 | 1 | JACK MOTOR 24V FOR CYL.DE |
| | 29 | 9098418000 | 1 | BRACKET ROTATING SUPPORT |
| | 30 | 145 2381 000 | 1 | BUSH |
| | 31 | 9097823000 | 2 | NUT RING M25X1,5 KMA5 |
| | 32 | 9098420000 | 1 | SUPPORT ROTATING CYL.DECK |
| | 33 | 146 0549 000 | 3 | BUSH FLANGED |
| K1 | 34 | | 3 | WASHER M10 UNI6592 |
| | 35 | 9098419000 | 1 | ARM SIDE CYL.DECK |
| | 36 | 9098421000 | 1 | ARTICULATED JOINT FOR CYL |
| K1 | 37 | | 2 | WASHER 14X36X2,5 |
| | [K1] | 9098733000 | 1 | HW SUPPORT CYL. BRUSH DECK |

| Kit | Item No. | Ref. No. | Qty | Description |
|------|----------|--------------|-----|-----------------------------------|
| K6 | 1 | | 3 | NUT SELFLOCKING LOW M8 UN |
| K6 | 2 | | 8 | WASHER 6X18 UNI6592 |
| K2 | 3 | | 2 | WASHER 8X24 UNI6593 |
| K1 | 4 | | 8 | ROLLER BUMPER |
| K2 | 5 | | 8 | NUT SELF L. M6 UNI7474 SS |
| K6 | 6 | | 1 | NUT SELFLOCKING LOW M5 UN |
| K1 | 7 | | 4 | SCREW M6X70 UNI5933 |
| K6 | 8 | | 4 | SCREW M6X12 UNI7687 |
| K1 | 9 | | 4 | SPACER 6.3X9.5X47 |
| K6 | 10 | | 4 | SCREW M10X90 UNI5739 |
| K6 | 11 | | 8 | SCREW M6X16 UNI5739 |
| K6 | 12 | | 3 | SCREW M8X20 UNI5739 |
| K2 | 13 | | 4 | SCREW M6X20 UNI5933 |
| K1 | 14 | | 4 | NUT HEX M6 UNI5721 |
| K6 | 15 | | 4 | NUT HEX M10 UNI5589 |
| | 16 | 9097960000 | 2 | SKIRT SIDE CYL.DECK |
| K2 | 17 | | 2 | NUT SELF L. M8 UNI7474 |
| K6 | 18 | | 12 | WASHER M6 UNI1751B |
| K6 | 19 | | 2 | SCREW M6X12 UNI5739 SS |
| K2 | 20 | | 2 | WASHER FLAT |
| | 21 | 9098658000 | 1 | HARNES FOR CYLINDRICAL BRUSH DECK |
| K2 | 22 | | 2 | KEY 5X15 |
| K5 | 23 | 56407551 | 2 | HUB |
| K6 | 24 | | 7 | WASHER M6 SS |
| K2 | 25 | | 2 | SCREW M6X20 SS |
| | 26 | 145 0461 000 | 8 | WING NUT M6 |
| K2 | 27 | | 2 | WASHER M6 SS |
| K2 | 28 | | 6 | SCREW M6X12 SS |
| K6 | 29 | | 3 | CLAMP BLACK 4,8x200 |
| K2-5 | 30 | 145 2361 000 | 6 | BALL BEARING 6202 2RS1 |
| K2 | 31 | | 4 | SPACER 6.5X25X3 |
| K4 | 32 | | 2 | PIN |
| K2 | 33 | | 4 | KEY 5X5X20 |
| | 34 | 146 0708 000 | 2 | INSULATOR M6 WHITE |
| | 35 | 146 1036 000 | 8 | KNOB |
| K2 | 36 | | 2 | SPACER 15X20X4 |
| K6 | 37 | | 2 | SCREW M6X14 UNI5739 SS |
| K6 | 38 | | 1 | SCREW M5X12 UNI7687 SS |
| K3 | 39 | | 1 | SCREW M6X16 UNI7687 SS |
| K6 | 40 | | 2 | SCREW M6X8 UNI5739 SS |
| K4 | 41 | | 1 | CABLE STAINLESS STEEL |
| K3 | 42 | | 2 | CLAMP HOSE D.18 |
| K2 | 43 | 909 5728 000 | 2 | HUB BRUSH |
| | 44 | 909 5752 000 | 2 | GUARD SPLASH CYL.DECK |
| K2 | 45 | | 2 | SPACER 14X22X 8 |
| K2 | 46 | | 2 | PIN BRUSH PULLEY |
| K2 | 47 | | 2 | SUPPORT BRUSH PULLEY |
| K2 | 48 | 909 5758 000 | 2 | PULLEY |
| | 49 | 909 5761 000 | 1 | BELT POLY-V |
| K2 | 50 | 909 5762 000 | 2 | ROLLER BELT TENSIONER |
| K2 | 51 | 909 5763 000 | 4 | BALL BEARING |
| K2 | 52 | | 2 | SPACER 12.5X16X 6 |
| K2 | 53 | | 2 | BUSHING COLLARED |
| K2 | 54 | | 2 | PIN |
| | 55 | 909 5802 000 | 1 | CRANKCASE MOTOR PROTECT. |
| | 56 | 909 5803 000 | 1 | CRANKCASE MOTOR PROTECT. |

| Kit | Item No. | Ref. No. | Qty | Description |
|-----|----------|--------------|-----|---------------------------|
| | 57 | 909 5964 000 | 2 | KNOB M8 |
| K5 | 58 | | 2 | SUPPORT BRUSH 690MM/28 CY |
| | 59 | 909 6225 000 | 1 | CONTAINER DIRT |
| K3 | 60 | | 2 | SCREW M6X10 UNI7687 SS |
| | 61 | 909 6595 000 | 1 | HOLDER.FLAT TIE |
| K2 | 62 | 909 6730 000 | 2 | PULLEY POLY-V |
| | 63 | 909 6731 000 | 1 | BELT POLY-V |
| | 64 | 909 6785 000 | 1 | CRANKCASE.BELT PROTECTION |
| | 65 | 909 6786 000 | 1 | CRANKCASE.BELT PROTECTION |
| K3 | 66 | | 1 | PIPE FITTING |
| K3 | 67 | | 1 | HOLDER RUBBER T D.13 |
| | 68 | 9097291000 | 2 | MOTOR ELECTRIC 600W 24V |
| | 69 | L08603949 | 2 | BRUSH CARBON KIT |
| | 70 | 9097847000 | 1 | FRAME CYLINDRICAL DECK |
| K3 | 71 | | 1 | SUPPORT FOR T FITTING |
| | 72 | 9097936000 | 1 | PROTECTION CYL.BRUSH DECK |
| | 73 | 9097952000 | 1 | SUPPORT CYL.DECK LEFT SID |
| | 74 | 9097956000 | 1 | SUPPORT CYL.DECK RIGHT SI |
| | 75 | 9097959000 | 2 | PLATE SIDE SKIRT CYL.DECK |
| | 76 | 9098761000 | 1 | CONNECTOR 50A RED |
| K3 | 77 | | 1 | WATER PIPE L320 |
| K6 | 78 | | 2 | NUT SELF L. M6 UNI7474 |
| | K1 | 9098736000 | 4 | BUMPER ROLLER KIT |
| | K2 | 9098734000 | 2 | TRANSMISSION BELT KIT |
| | K3 | 9098735000 | 1 | WATER PIPE KIT |
| | K4 | 909 6354 000 | 1 | SPLIT PINS W/CABLE KIT |
| | K5 | 9098737000 | 2 | SUPPORT BRUSH KIT |
| | [K6] | 9098738000 | 1 | HW KIT CYL. BRUSH DECK |



| Kit | Item No. | Ref. No. | Qty | Description |
|------|----------|--------------|-----|------------------------------|
| | 1 | 145 8046 000 | 1 | STRIP FUSE HOLDER |
| K1 | 2 | | 2 | SCREW M4X16 UNI5739 |
| K1 | 3 | | 4 | SCREW M5X12 UNI5739 |
| K1 | 4 | | 4 | NUT SELF L. M5 UNI7474 |
| K1 | 5 | | 4 | WASHER M4 UNI6592 |
| K1 | 6 | | 2 | NUT SELF L. M4 UNI7474 |
| K1 | 7 | | 2 | SPACER M4 L10 |
| K1 | 8 | | 2 | SCREW M4X8 UNI5739 |
| | 9 | 9097208000 | 1 | SWITCH ELECTROMAGNETIC |
| | 10 | 9099071000 | 1 | CARD ELECTRONIC TRACTION |
| | 11 | 9097860000 | 1 | PLATE FIXING ELECTRONIC C |
| | 12 | 9098190000 | 1 | HARNESS EL.COMPON.BOX |
| | 13 | 9098897000 | 1 | SENSOR PRESSURE KIT |
| | 14 | 145 8368 000 | 1 | FUSE 3A |
| | 15 | 145 9853 000 | 1 | FUSE 15A |
| | 16 | 9097830000 | 1 | FUSE MIDIFUSE 100A |
| | 17 | 145 9854 000 | 1 | STRIP FUSE 50A |
| | 18 | 9098659000 | 1 | HARNESS BATTERY |
| | 19 | 9098762000 | 1 | CONNECTOR 120A |
| | 20 | 9098761000 | 1 | CONNECTOR 50A RED |
| [K1] | | 9098739000 | 1 | HW KIT ELECTRICAL COMPONENTS |



2010-10

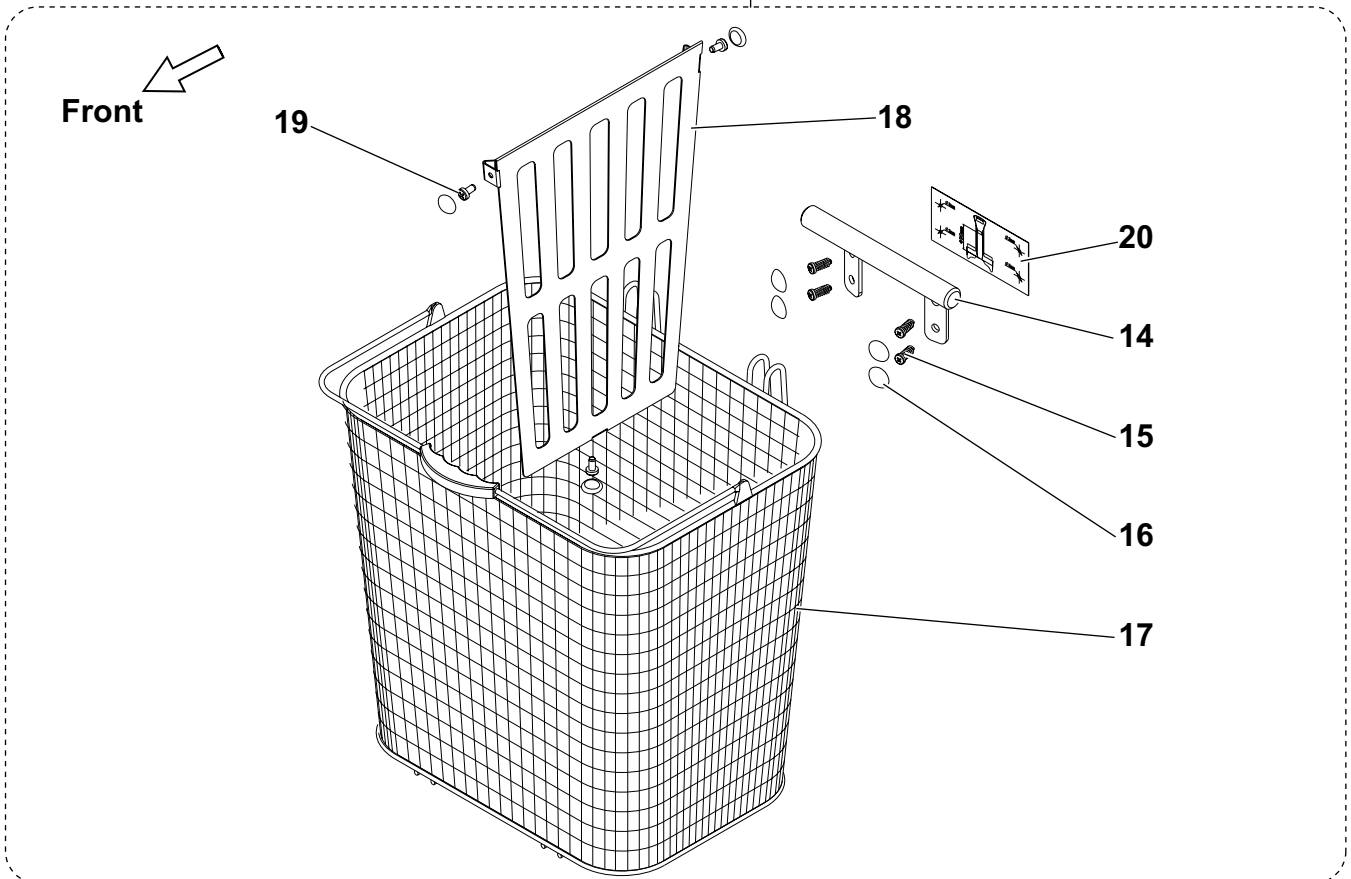
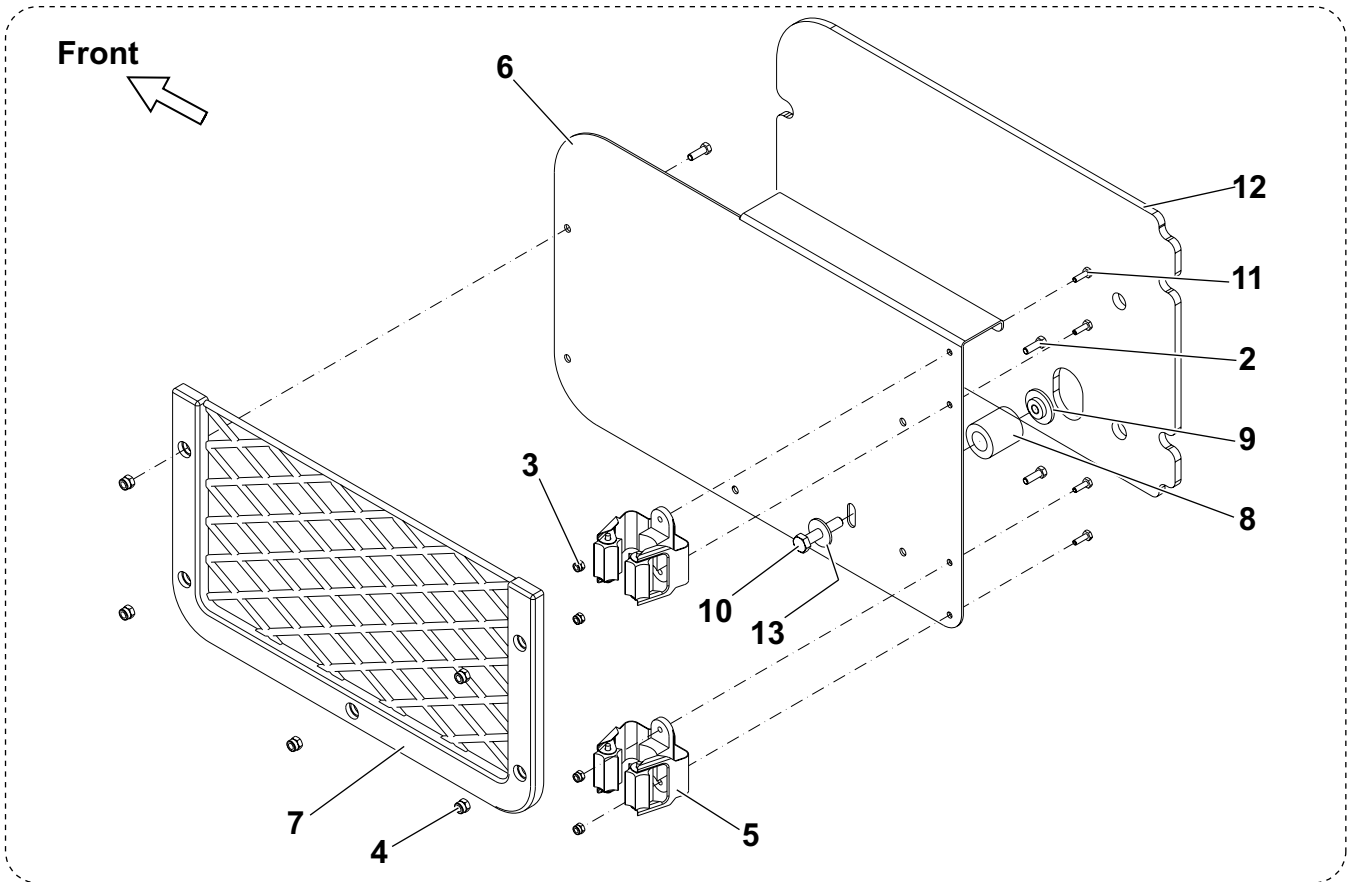
BATTERY CHARGER

SC3000 26" Disc - SC3000 28" Cyl.

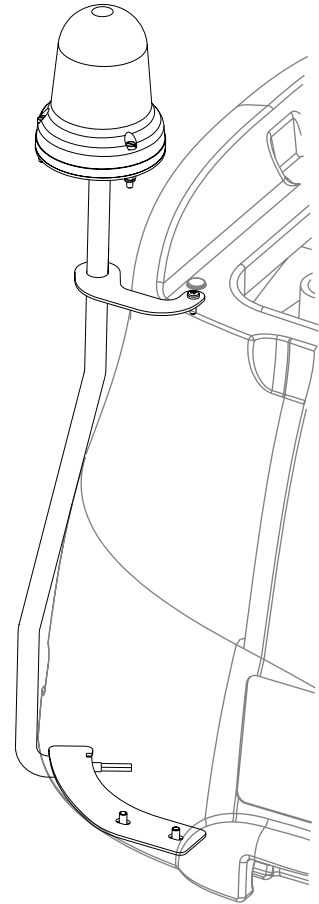
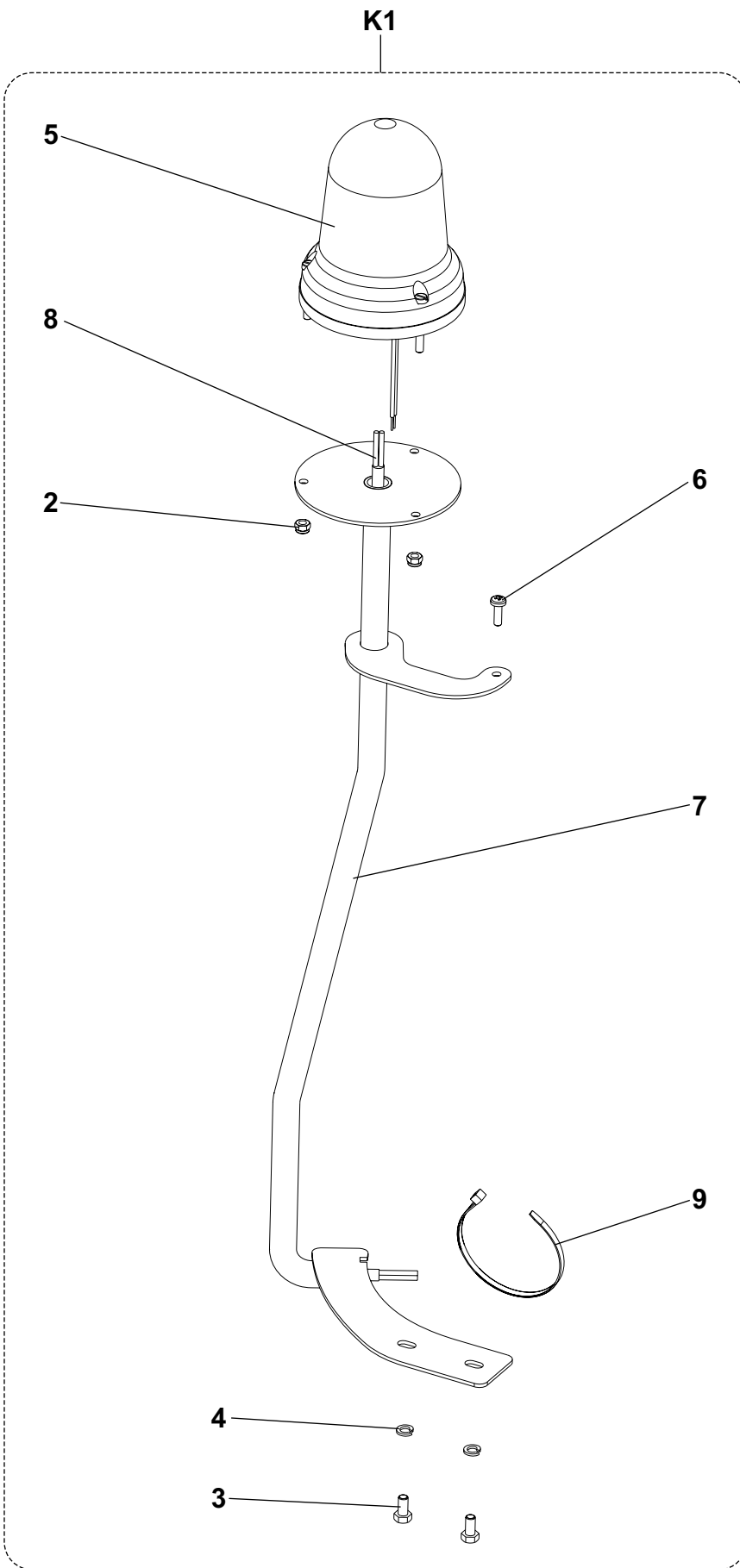
39

| Kit | Item No. | Ref. No. | Qty | Description |
|-----|----------|------------|-----|------------------------------|
| K1 | 1 | 9098859000 | 1 | HEATSINK |
| K1 | 2 | | 2 | WASHER 6X18 UNI6592 |
| K1 | 3 | | 1 | SCREW M6X25 UNI5739 |
| K1 | 4 | | 4 | SCREW M8X20 UNI5739 |
| K1 | 5 | | 1 | NUT HEX M6 UNI5589 |
| K1 | 6 | | 4 | NUT SELF L. M8 UNI7473 |
| K1 | 7 | | 1 | NUT SELF L. M6 UNI7474 |
| K1 | 8 | | 4 | WASHER M8 UNI6592 |
| K1 | 9 | 9097916000 | 1 | PLATE BATTERY CHARGER |
| K1 | 10 | | 2 | SCREW CYL HD 5X16 SELF L. |
| K1 | 11 | | 2 | SEAL |
| K1 | 12 | 9098630000 | 1 | CHARGER BATTERY 24V 20A |
| K1 | 13 | 9098677000 | 1 | CABLE EXTENSION FOR CHARG US |
| K1 | 14 | | 1 | CLAMP CABLE BLACK |
| | K1 | 9098198000 | 1 | BATTERY CHARGER KIT |
| | | 9098215000 | 1 | INSTALLATION INSTRUCTION |

9098828000



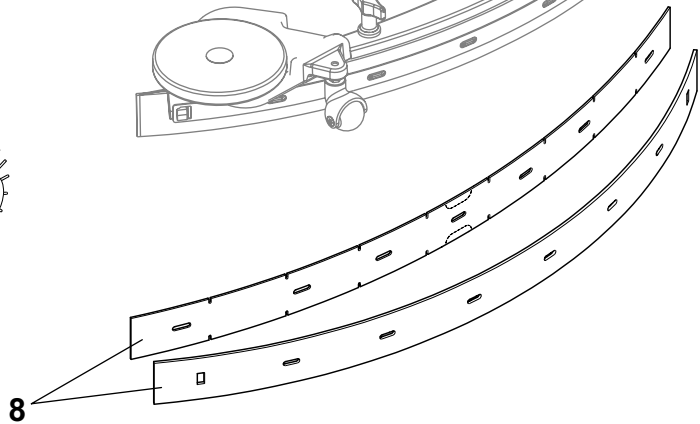
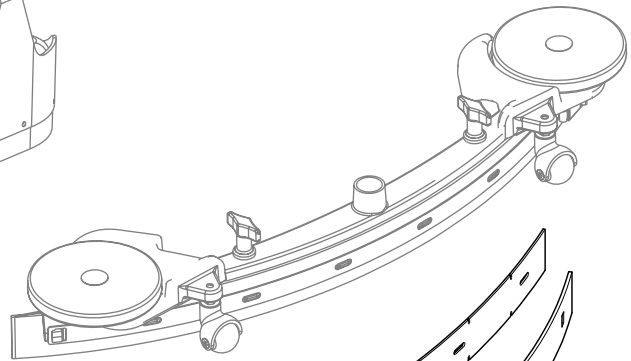
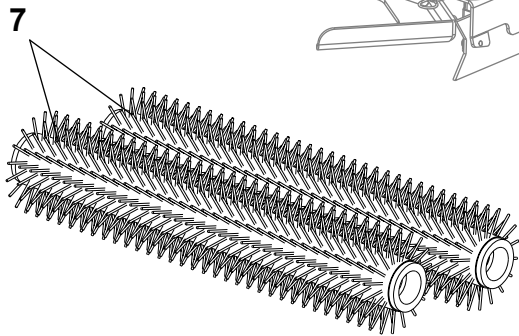
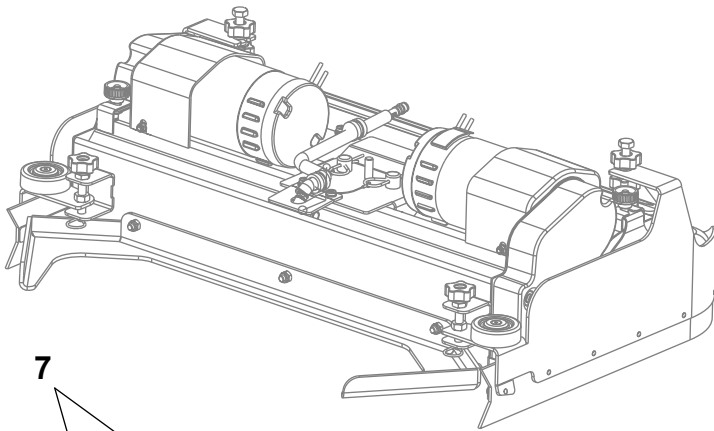
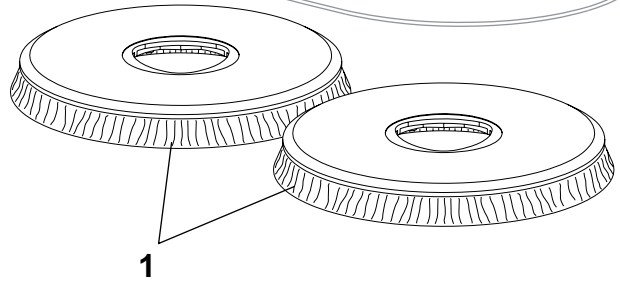
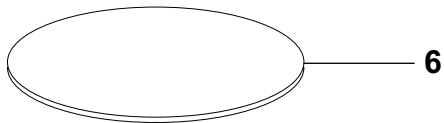
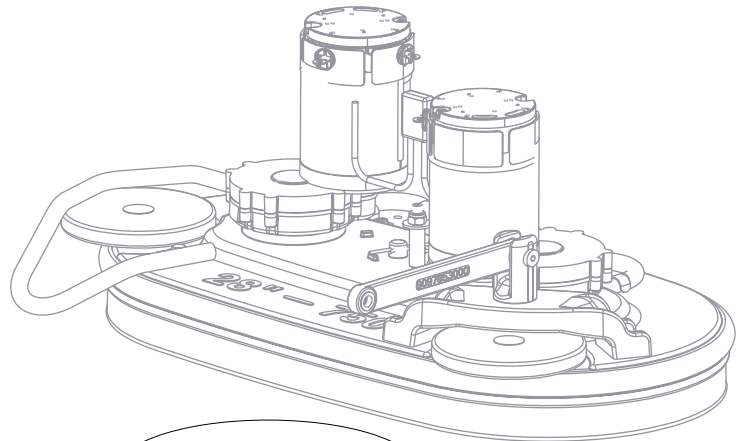
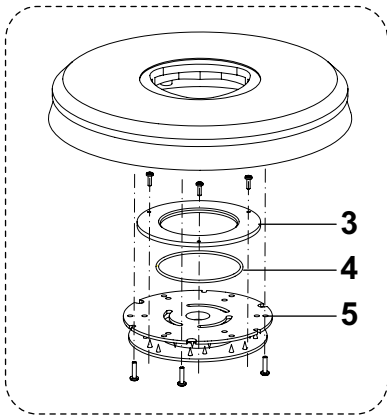
| Kit | Item No. | Ref. No. | Qty | Description |
|-----|------------|-------------------|----------|------------------------------|
| | K1* | 9097815000 | 1 | MOP AND TRASH KIT |
| K1 | 2 | | 5 | SCREW M4X12 UNI5739 |
| K1 | 3 | | 4 | NUT SELF L. M3 UNI7474 |
| K1 | 4 | | 5 | NUT SELF L. M4 UNI7473 |
| K1 | 5 | 33017513 | 2 | HOLDER BROOM |
| K1 | 6 | | 1 | SHEET SUPPORT KIT |
| K1 | 7 | 9097947000 | 1 | NET 6x5 |
| K1 | 8 | | 1 | EXPANDER |
| K1 | 9 | | 1 | EXPANDER FLANGE |
| K1 | 10 | | 1 | SCREW M6X30 UNI5739 SS |
| K1 | 11 | | 4 | SCREW M3X10 UNI5739 |
| K1 | 12 | | 1 | MOUSSE |
| K1 | 13 | | 1 | WASHER, FLAT |
| | K2* | 9098480000 | 1 | BASKET KIT |
| K2 | 14 | | 1 | BASKET SUPPORT |
| K2 | 15 | | 4 | READ ROLLING SCR 5x16 |
| K2 | 16 | | 7 | COVER FOR SCREW TCB 4.8mm |
| K2 | 17 | 9098250000 | 1 | BASKET |
| K2 | 18 | | 1 | PARTITION |
| K2 | 19 | | 3 | THREAD ROLLING SCR, PAN PHIL |
| K2 | 20 | | 1 | DECAL TEMPLATE |



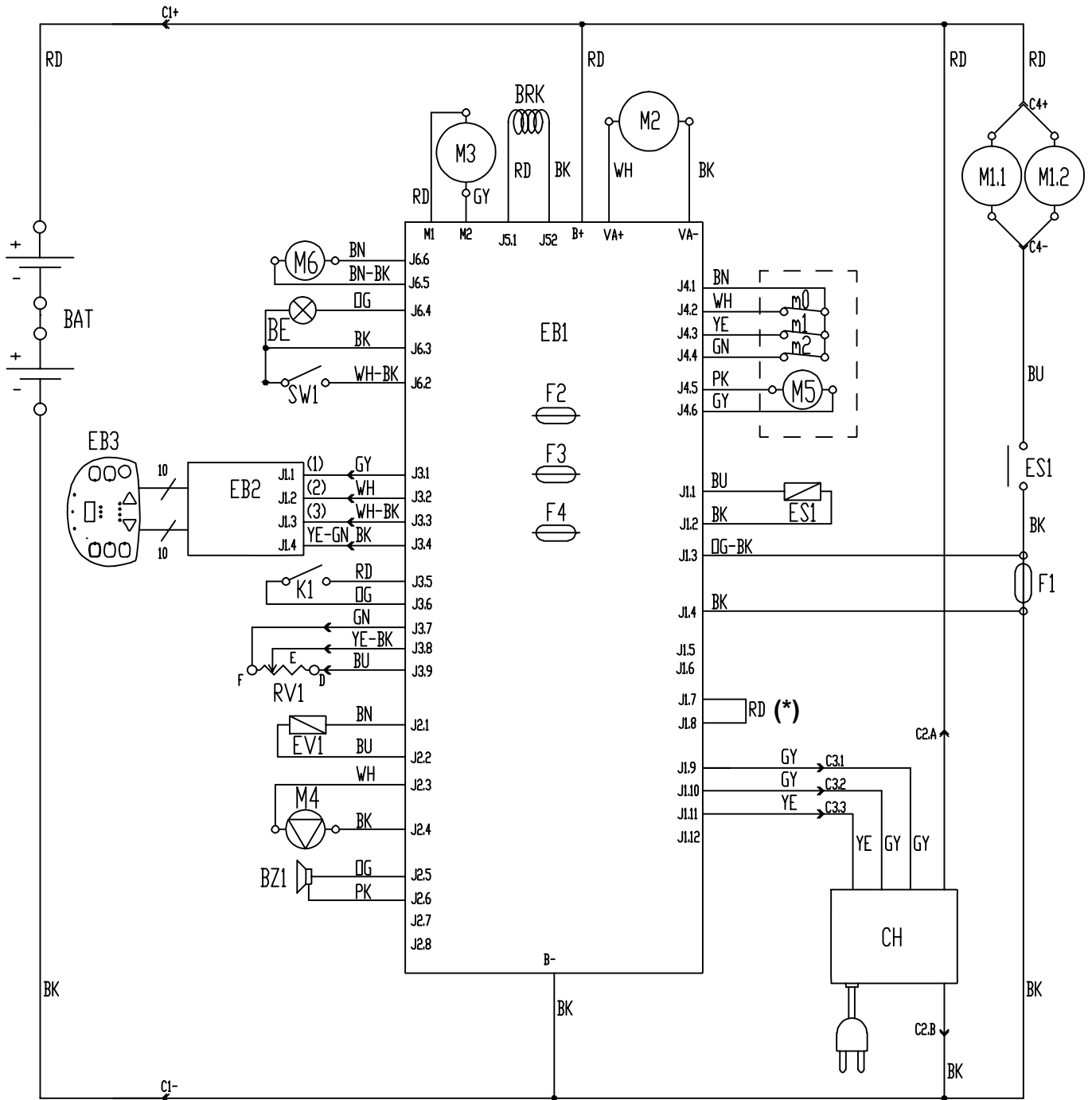
Front

| | | | | |
|---------|-----------------------------------|--|--|----|
| 2010-10 | ACCESSORIES | | | |
| | SC3000 26" Disc - SC3000 28" Cyl. | | | 43 |

| Kit | Item No. | Ref. No. | Qty | Description |
|-----|--------------|-------------------|----------|----------------------------|
| | K1* | 9098164000 | 1 | FLASHING BEACON KIT |
| K1 | 2 | | 3 | NUT SELF L. M4 UNI7474 SS |
| K1 | 3 | | 2 | SCREW M5X10 UNI5739 |
| K1 | 4 | | 2 | WASHER M5 UNI1751B |
| K1 | 5 | 146 1155 000 | 1 | BEACON, WARNING 10-120V |
| K1 | 6 | | 1 | SCREW 3.9X13 UNI6954 |
| K1 | 7 | | 1 | FLASHING BEACON SUPPORT |
| K1 | 8 | | 1 | FLASHING BEACON WIRING |
| K1 | 9 | | 1 | CLAMP BLACK |
| | [K2]* | 9098772000 | 1 | NOISE REDUCTION KIT |
| | | 9098773000 | 1 | ASSEMBLY INSTRUCCION |



| Kit | Item No. | Ref. No. | Qty | Description |
|-----|----------|--------------|-----|---|
| | | | | BRUSHES D.330 FOR BRUSH DECK 26" |
| | 1* | 909 5340 000 | 2 | UNION MIX |
| | 1* | 909 5332 000 | 2 | PROLENE |
| | 1* | 909 5338 000 | 2 | PROLITE |
| | 1* | 909 5334 000 | 2 | MIDGRIT 240 |
| | 1* | 909 5336 000 | 2 | MIDLITE GRIT 180 |
| | | | | PAD HOLDERS |
| | 2* | 909 5330 000 | 2 | PAD HOLDER 330 |
| | 3 | L08603936 | 1 | RING NYLON |
| | 4 | L08603965 | 1 | SEAL O-RING |
| | 5 | L08837030 | 1 | RETAINER PAD |
| | 6* | 82256900 | 2 | PAD 13 330MM RED 5PCS |
| | 6* | 82257000 | 2 | PAD 13 330MM WHITE 5PCS |
| | 6* | 82257100 | 2 | PAD 13 330MM BLACK 5PCS |
| | 6* | 82357200 | 2 | PAD 13 330MM GREEN 5PCS |
| | 6* | 82322000 | 2 | PAD 13 330MM BLUE 5PCS |
| | 6* | 82322100 | 2 | PAD 13 330MM BROWN 5PCS |
| | | | | CYLINDRICAL BRUSHES |
| | 7* | 56412191 | 2 | BRUSH SOFT NYLON 28" - YELLOW |
| | 7* | 56412192 | 2 | BRUSH HARD NYLON 28" - NATURAL |
| | 7* | 56412046 | 2 | BRUSH POLYPROPYLENE 28" - RED |
| | 7* | 56412193 | 2 | BRUSH 180 GRIT 28" - BLUE/GREY |
| | 7* | 56412194 | 2 | BRUSH 80 GRIT 28" - BLACK |
| | 7* | 56412195 | 2 | BRUSH 46 GRIT 28" - ORANGE/BROWN |
| | | | | BLADES KITS |
| | 8* | 9097804000 | 1 | BLADES RUBBER 890MM/35" KIT |



| Key | Ref. No. | Description |
|--------|--------------|--------------------------------------|
| BAT | - | 24V BATTERIES |
| BE | 146 1155 000 | BEACON (OPT) |
| BRK | 9098626000 | ELECTROMAGNETIC BRAKE |
| BZ1 | 909 6126 000 | BUZZER |
| C1 | 9098762000 | BATTERY CONNECTOR |
| C2 | 9098762000 | MAIN CHARGER CONNECTOR |
| C3 | 9098762000 | SECONDARY CHARGER CONNECTOR |
| C4 | 9098761000 | BRUSH DECK CONNECTOR |
| CH | 9098630000 | BATTERY CHARGER |
| EB1 | 9099071000 | MAIN ELECTRONIC BOARD |
| EB2 | 9097922000 | CONTROL PANEL ELECTRONIC BOARD |
| EB3 | 9097986000 | DECAL CONTROL PANEL ELECTRONIC BOARD |
| ES1 | 9097208000 | BRUSH MOTOR ELECTROM. SWITCH |
| EV1 | 909 6555 000 | ELECTROVALVE |
| F1 | 145 9854 000 | BRUSH DECK FUSE |
| F2 | 9097830000 | MAIN BOARD FUSE |
| F3 | 145 8368 000 | LOW POWER CIRCUIT FUSE |
| F4 | 145 9853 000 | ACTUATOR FUSE |
| K1 | 146 2888 000 | KEY SWITCH |
| M1.1,2 | 9097178000 | DISC BRUSH MOTOR |
| | 9097291000 | CYL. BRUSH MOTOR |
| M2 | 9097556000 | VACUUM MOTOR |
| M3 | 9098625000 | DRIVE MOTOR |
| M4 | 909 6183 000 | DETERGENT PUMP |
| M5 | 9097852000 | DISC BRUSH DECK ACTUATOR MOTOR |
| | 9098417000 | CYL. BRUSH DECK ACTUATOR MOTOR |
| M6 | 9097985000 | SQUEEGEE ACTUATOR MOTOR |
| m0 | - | M6 POS. 0 MICROSWITCH |
| m1 | - | M6 POS. 1 MICROSWITCH |
| m2 | - | M6 POS. 2 MICROSWITCH |
| PR1 | 9098897000 | WATER PRESSURE GAGE |
| RV1 | 9097934000 | DRIVE PEDAL POTENTIOMETER |
| SW1 | 909 6242 000 | SEAT MICROSWITCH |

(*) ONLY FOR SC3000 26" DISC

KEY COLOURS

| | | |
|----|---|------------|
| BK | - | BLACK |
| BU | - | LIGHT BLUE |
| BN | - | BROWN |
| GN | - | GREEN |
| GY | - | GREY |
| OG | - | ORANGE |
| PK | - | PINK |
| RD | - | RED |
| VT | - | VIOLET |
| WH | - | WHITE |
| YE | - | YELLOW |

RECOMMENDED SPARE PARTS

2010-10

48

SC3000 26" Disc - SC3000 28" Cyl.

| Ref. No. | DESCRIPTION | QTY | MACHINES |
|----------------------------------|---------------------------|-----|------------|
| WEAR PARTS | | | |
| 9098716000 | BRUSH CARBON KIT | 1 | 26" - 28"C |
| 9098729000 | BLADES PU KIT | 1 | 26" - 28"C |
| 909 5224 000 | SPLASH GUARD DECK | 1 | 26" |
| 9097960000 | SKIRT SIDE CYL.DECK | 2 | 28"C |
| ORDINARY MAINTENANCE | | | |
| 9097290000 | HOSE FILLING | 1 | 26" - 28"C |
| 9097935000 | HOSE DRAIN | 1 | 26" - 28"C |
| 9098169000 | HOSE SUCTION | 1 | 26" - 28"C |
| 9098172000 | GASKET COVER | 1 | 26" - 28"C |
| 9098407000 | WHEEL DRIVE | 1 | 26" - 28"C |
| 9098627000 | BRUSH CARBON KIT | 1 | 26" - 28"C |
| 9098115000 | FILTER WATER | 1 | 26" - 28"C |
| 9098307000 | WHEEL CASTOR D.42 | 2 | 26" - 28"C |
| 9097816000 | WHEEL REAR D.254 80SH GRE | 2 | 26" - 28"C |
| 909 5380 000 | BRUSH CARBON W/HOLDER KIT | 2 | 26" |
| 909 5761 000 | BELT POLY-V | 1 | 28"C |
| 909 6731 000 | BELT POLY-V | 1 | 28"C |
| L08603949 | BRUSH CARBON KIT | 2 | 28"C |
| 9098734000 | TRANSMISSION BELT KIT | 2 | 28"C |
| EXTRAORDINARY MAINTENANCE | | | |
| 9098224000 | MUFF FRESH WATER | 1 | 26" - 28"C |
| 9098709000 | CAP SOLUTION KIT | 1 | 26" - 28"C |
| 909 6242 000 | MICROSWITCH | 1 | 26" - 28"C |
| 9097556000 | MOTOR VACUUM 3ST 24V 420W | 1 | 26" - 28"C |
| 9098177000 | CABLE TANK STOP | 1 | 26" - 28"C |
| 909 6380 000 | CLAMP KIT | 1 | 26" - 28"C |
| 9097796000 | LEVER BLOCK STEERING WHEE | 1 | 26" - 28"C |
| 9097934000 | PEDAL SPEED CONTROL | 1 | 26" - 28"C |
| 9097922000 | CARD ELECTRONIC DASHBOARD | 1 | 26" - 28"C |
| 9097986000 | DECAL CONTROL PANEL | 1 | 26" - 28"C |
| 146 2888 000 | SWITCH KEY WITH CAP | 1 | 26" - 28"C |
| 146 2887 000 | KEY -2 PCS- | 1 | 26" - 28"C |
| 9097792000 | CABLE DASHBOARD EXTENSION | 1 | 26" - 28"C |
| 9098094000 | HARNESS STEERING WHEEL | 1 | 26" - 28"C |
| 9098430000 | HARNESS WHEEL MOTOR | 1 | 26" - 28"C |
| 9098626000 | BRAKE ELECTRIC.RELEASED | 1 | 26" - 28"C |
| 9098625000 | MOTOR ELECTRIC | 1 | 26" - 28"C |
| 909 6555 000 | SOLENOID VALVE 24V | 1 | 26" - 28"C |
| 9098380000 | STRAP FRONT SQUEEGEE 35 | 1 | 26" - 28"C |
| 9098381000 | STRAP SKIRT REAR RIGHT 35 | 1 | 26" - 28"C |
| 9098382000 | STRAP SKIRT REAR LEFT 35 | 1 | 26" - 28"C |
| 9098390000 | SUPPORT SQUEEGEE DOWN | 1 | 26" - 28"C |
| 9097827000 | SUPPORT SQUEEGEE UPPER | 1 | 26" - 28"C |
| 9097931000 | ROD EYE M10 | 2 | 26" - 28"C |
| 9097985000 | JACK MOTOR 24V FOR SQUEEG | 1 | 26" - 28"C |
| 9098708000 | SQUEEGEE LIFTING KIT | 1 | 26" - 28"C |
| 9098722000 | CENTRING SQUEEGEE KIT | 1 | 26" - 28"C |
| 909 6394 000 | LATCH SQUEEGEE KIT | 1 | 26" - 28"C |
| 145 8024 000 | KEY JOINT | 2 | 26" |
| 9097178000 | REDUCTION GEARMOTOR 400W | 2 | 26" |
| 9097640000 | HOLDER POLYGONAL RIGHT | 1 | 26" |
| 9097639000 | HOLDER POLYGONAL LEFT | 1 | 26" |

| Ref. No. | DESCRIPTION | QTY | MACHINES |
|----------------------------------|------------------------------------|-----|------------|
| EXTRAORDINARY MAINTENANCE | | | |
| 9097850000 | SPRING DRAGGING DECK | 1 | 26" |
| 9097852000 | JACK MOTOR 24V FOR DECK | 1 | 26" |
| 9097851000 | SPRING ZERO SETTING BRUSH | 1 | 26" |
| 9097813000 | GUIDE DRAGGING DECK | 1 | 26" |
| 9098417000 | JACK MOTOR 24V FOR CYL.DE | 1 | 28"C |
| 145 0461 000 | WING NUT M6 | 8 | 28"C |
| 9097291000 | MOTOR ELECTRIC 600W 24V | 2 | 28"C |
| 9098737000 | BRUSH HOLDER KIT | 2 | 28"C |
| 9097208000 | SWITCH ELECTROMAGNETIC | 1 | 26" - 28"C |
| 9099071000 | CARD ELECTRONIC TRACTION | 1 | 26" - 28"C |
| 9098897000 | SENSOR PRESSURE KIT | 1 | 26" - 28"C |
| 145 8368 000 | FUSE 3A | 1 | 26" - 28"C |
| 145 9853 000 | FUSE 15A | 1 | 26" - 28"C |
| 9097830000 | FUSE MIDIFUSE 100A | 1 | 26" - 28"C |
| 145 9854 000 | STRIP FUSE 50A | 1 | 26" - 28"C |
| 9098762000 | CONNECTOR 120A | 1 | 26" - 28"C |
| 9098630000 | CHARGER BATTERY 24V 25A | 1 | 26" - 28"C |
| 9098677000 | CABLE EXTENSION FOR CHARG US | 1 | 26" - 28"C |
| 9098658000 | HARNESS FOR CYLINDRICAL BRUSH DECK | 1 | 28"C |
| 9098374000 | HARNESS BRUSH DECK | 1 | 26" |
| ACCESSORIES / OPTIONS | | | |
| 9098455000 | MOTOR VACUUM 3 STAGE 670W | 1 | 26" - 28"C |
| 9097474000 | SPLASH GUARD W/BRISTLES | 1 | 26" |
| 9098198000 | BATTERY CHARGER KIT | 1 | 26" - 28"C |
| 9097818000 | ECOFLEX™ KIT | 1 | 26" - 28"C |
| 9097815000 | MOP AND TRASH KIT | 1 | 26" - 28"C |
| 9098164000 | BEACON KIT | 1 | 26" - 28"C |
| 9098480000 | BASKET KIT | 1 | 26" - 28"C |
| 9097804000 | BLADES RUBBER 890MM/35" KIT | 1 | 26" - 28"C |
| 9098772000 | NOISE REDUCTION KIT | 1 | 26" - 28"C |
| 909 5340 000 | UNION MIX | 2 | 26" |
| 909 5332 000 | PROLENE | 2 | 26" |
| 909 5338 000 | PROLITE | 2 | 26" |
| 909 5334 000 | MIDGRIT 240 | 2 | 26" |
| 909 5336 000 | MIDLITE GRIT 180 | 2 | 26" |
| 909 5330 000 | PAD HOLDER 330 | 2 | 26" |
| 56412191 | BRUSH SOFT NYLON 28" - YELLOW | 2 | 28"C |
| 56412192 | BRUSH HARD NYLON 28" - NATURAL | 2 | 28"C |
| 56412046 | BRUSH POLYPROPYLENE 28" - RED | 2 | 28"C |
| 56412193 | BRUSH 180 GRIT 28" - BLUE/GREY | 2 | 28"C |
| 56412194 | BRUSH 80 GRIT 28" - BLACK | 2 | 28"C |
| 56412195 | BRUSH 46 GRIT 28" - ORANGE/BROWN | 2 | 28"C |



Advance

14600 21st Avenue North
Plymouth, MN 55447-3408
www.advance-us.com
Phone: 800-989-2235
Fax: 800-989-6566
©2011 Nilfisk-Advance, Inc.

A Nilfisk-Advance Brand