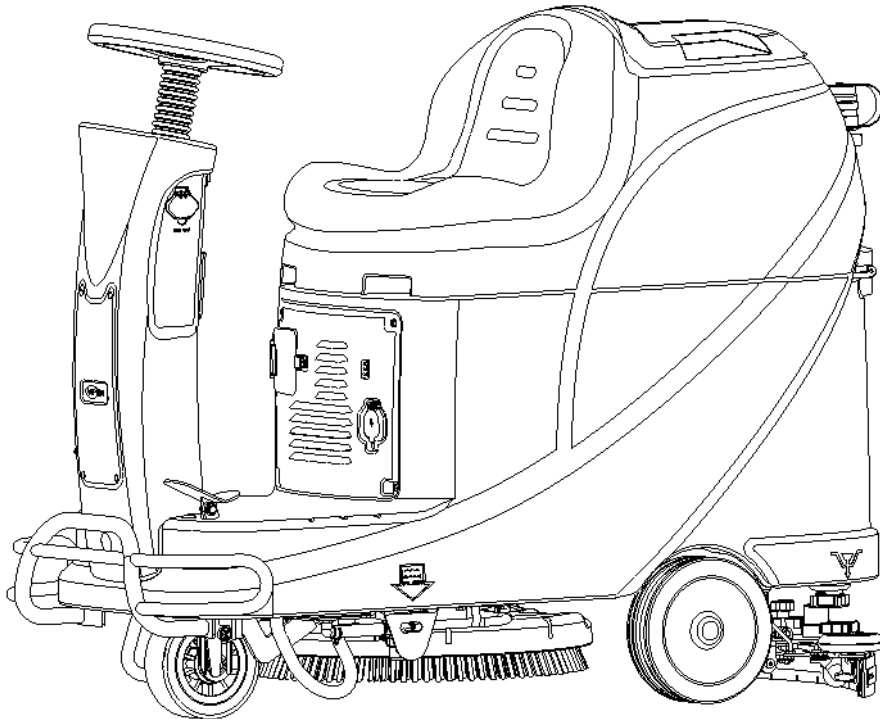




# AS530R USER MANUAL



Model: 50000417



Nilfisk Inc.  
9435 Winnetka Avenue North  
Minneapolis, MN 55445  
[www.usvipер.com](http://www.usvipер.com)

VR28016  
Rev.01  
2016.10.24

# TABLE OF CONTENTS

ENGLISH	USER MANUAL.....	1-21
FRANÇAIS	MANUEL UTILISATEUR.....	22-42
ESPAÑOL	INSTRUCCIONES DE USO.....	43-63

## TABLE OF CONTENTS

<b>INTRODUCTION.....</b>	<b>1</b>
MANUAL CONTENT AND PURPOSE .....	1
HOW TO KEEP THIS MANUAL .....	1
DECLARATION OF CONFORMITY.....	1
ACCESSORIES AND MAINTENANCE.....	1
CHANGES AND IMPROVEMENTS .....	1
SCOPE OF APPLICATION.....	1
MACHINE IDENTIFICATION DATA .....	1
TRANSPORT AND UNPACKING.....	1
<b>SAFETY.....</b>	<b>2</b>
SYMBOLS THAT APPEAR ON THE INSTRUCTION FOR USE MANUAL .....	2
GENERAL SAFETY INSTRUCTION .....	2
<b>MACHINE DESCRIPTION.....</b>	<b>4</b>
MACHINE STRUCTURE .....	4
CONTROL PANEL .....	5
LED SCREEN DISPLAY INFORMATION.....	5
DISPLAY WINDOW OF CHARGER INDICATOR LIGHT .....	5
TECHNICAL PARAMETERS .....	6
CIRCUIT DIAGRAM .....	7
<b>OPERATING GUIDE .....</b>	<b>9</b>
INSTALLING AND SETTING OF NEW MACHINE BATTERY .....	9
BATTERY INSTALLATION AND BATTERY TYPE SETTING (WET OR GEL/ AGM).....	9
EMERGENCY BRAKING .....	10
BRUSH/PAD INSTALLATION AND UNINSTALLATION.....	10
ADJUSTING THE BALANCE OF SQUEEGEE .....	11
SOLUTION TANK FILLING .....	11
MACHINE START AND STOP.....	12
MACHINE OPERATION (SCRUBBING AND DRYING) .....	13
TANK EMPTYING .....	14
AFTER USING THE MACHINE.....	14
MACHINE LONG INACTIVITY .....	14
USING FOR THE FIRST TIME .....	15
<b>MAINTENANCE.....</b>	<b>15</b>
SCHEDULED MAINTENANCE TABLE .....	15
BATTERY CHARGING .....	15
BRUSH/PAD CLEANING .....	16
SOLUTION FILTER CLEANING .....	17
SQUEEGEE CLEANING .....	17
SQUEEGEE BLADE CHECK AND REPLACEMENT.....	17
TANK AND VACUUM GRID WITH FLOAT CLEANING, AND COVER GASKET CHECK .....	18
FUSE CHECK/REPLACEMENT.....	19
ACCESSORIES/OPTIONS .....	19
<b>TROUBLE SHOOTING .....</b>	<b>19</b>
<b>SCRAPPING .....</b>	<b>21</b>

---

## INTRODUCTION



**NOTE**

The numbers in brackets refer to the components shown in Machine Description chapter.

## MANUAL CONTENT AND PURPOSE

The purpose of this Instruction for Use Manual is to provide the operator with necessary information to use the machine properly and safely. It contains information about technical data, safety, operation, storage, maintenance, spare parts and how to scrap it.

Before performing any procedure on the machine, no matter the operators and qualified technicians must read this Manual carefully. Contact our company’s service center for any query about this manual or for any further information is needed.

The operators must not perform procedures that should be done by qualified technicians. Our company will not be answerable for damages coming from the non-observance of this prohibition.

## HOW TO KEEP THIS MANUAL

The Manual must be kept near the machine, inside an adequate case, away from liquids and other substances that can cause any damage to it.

## DECLARATION OF CONFORMITY

Declaration of Conformity is supplied with the machine and certifies machine conformity with the law in force.



**NOTE**

The copies of the original declaration of conformity are provided together with the machine documentation.

## ACCESSORIES AND MAINTENANCE

All the necessary operation, maintenance and repair procedures must be performed by qualified personnel, or by our company appointed service center. ONLY authorized spare parts and accessories should be used.

Contact our company customer service for any service or purchase of accessories or spare parts if necessary.

## CHANGES AND IMPROVEMENTS

We committed to continuous improvement of the products, the company reserves the right to the machine changes and improvements without informing in additional.

## SCOPE OF APPLICATION

The scrubber applies to commercial and industrial use. It is suitable for cleaning smooth and solid floors, operating by a qualified personnel in safety circumstance. It is not suitable for outdoor use, carpet or rough floor cleaning.

## MACHINE IDENTIFICATION DATA

The machine serial number and model name are marked on the serial label.

This information is useful. Use the following table to write down the machine identification data when requiring spare parts for the machine.

MACHINE MODEL.....
MACHINE SERIAL NUMBER.....

## TRANSPORT AND UNPACKING

When the carrier delivers the machine, make sure the packaging and machine are both whole and undamaged. If any damaged, make the carrier know the damage and before accepting the goods, reserve the right in compensation of the damage.

Follow the instructions on packing strictly when unpacking the machine.

Check the package to ensure following items are included:

1. Technical documentations including user manual, and on-board charger manual if on-board charger is equipped.
2. Charger cable if on-board charger is equipped.

## SAFETY

The following symbols indicate potentially dangerous situations. Always read this information carefully and take all necessary precautions to safeguard people and property.

### SYMBOLS THAT APPEAR ON THE INSTRUCTION FOR USE MANUAL



#### DANGER!

It indicates a dangerous situation with risk of death for the operator.



#### WARNING!

It indicates a potential risk of injury for people.



#### CAUTION!

It indicates a caution or a remark related to important or useful functions. Pay attention to the paragraphs marked by this symbol.



#### NOTE

It indicates a remark related to important or useful functions.



#### CONSULTATION

It indicates the necessity to refer to the Instruction for Use manual before performing any procedure.

## GENERAL SAFETY INSTRUCTION

Specific warnings and cautions to inform about potential damages to people and machine are shown below.



#### DANGER!

- This machine must be operated by trained and authorized personnel according to guidance of the manual.
- Before performing any cleaning, maintenance, repair or replacement procedure, read all the instructions carefully, ensure to turn the machine OFF and disconnect the battery connector.
- Do not operate the machine near toxic, dangerous, flammable and/or explosive powders, liquids or vapour. This machine is not suitable for collecting dangerous powders.
- Do not wear jewels when working near electrical components.
- Do not work under the lifted machine without supporting it with safety stands.
- When using lead (WET) batteries, they may emit inflammable gas under normal use, must keep sparks, flames, smoking materials and radiating, illuminating and burning items away from the batteries.
- When charging lead (WET) batteries, they may emit hydrogen gas which may cause explosive. Must ensure the charging environment is well ventilated and away from naked flames.



#### WARNING!

- Check the machine carefully before each use. Ensure that all the components have been well assembled before use. Or it may cause damages to people and properties.

- Before using the battery charger, ensure that the values of frequency and voltage indicated on the machine serial number label match those of mains.
- Never move the machine by pulling the battery charger cable. Do not let the cable through a closed door, or winding on sharp edges or corners. Do not run the machine on the battery charger cable. Keep the battery charger cable away from heated surfaces.  
Do not charge the batteries if the battery charger cable or the plug are damaged.
- To reduce the risk of fire, electric shock, or injury, make sure machine is off before leaving.
- Use or store the machine indoors in dry conditions, it is not allowed for outdoor use.
- The machine both storage and working temperature must be between 0 °C and +40 °C, the humidity of air must be between 30% - 95%.
- Do not use the machine on slopes with a gradient exceeding as specification show.
- When using and handling floor cleaning detergents, follow the instructions on the labels of the detergent bottles and wear suitable gloves and protections.
- Use brushes and pads supplied with the machine or defined in the manual. Using other brushes or pads could reduce safety.
- In case of machine malfunctions, ensure that these are not due to lack of maintenance. If necessary, request assistance from the authorized personnel or from an authorized Service Center.
- Take all necessary precautions to prevent hair, jewels and loose clothes from being caught by the machine moving parts.
- Do not use the machine in particularly dusty areas.  
Do not wash the machine with direct or pressured water jets, or with corrosive substances.
- Do not bump into shelves or scaffoldings, especially where there is a risk of falling objects.
- Do not lean liquid containers on the machine, use the relevant can holder.
- To avoid damaging the floor, do not allow the brush/pad to operate while the machine is stationary.
- In case of fire, use a dry powder fire extinguisher. Do not use liquid fire extinguishers.
- Do not remove or modify the machine stickers.
- Do not tamper with the machine safety guards and follow the ordinary maintenance instructions scrupulously.
- Pay attention during machine transportation when temperature is below freezing point. The water in the recovery tank and in the hoses could freeze and cause seriously damage to the machine.
- If spare parts need be replaced, order ORIGINAL spare parts from an Authorized Dealers or Retailers.
- Return the machine to the Service Center if it doesn't work as usual or it is in condition such as damaged, placed outdoors, dropped into water.
- To ensure machine proper and safe operation, the scheduled maintenance shown in the relevant chapter of this Manual, must be performed by the authorized personnel or an authorized Service Center.
- The machine must be properly disposed of, because the presence of toxic-harmful materials (batteries, etc.), which are subject to standards that require disposal in special centers (see Scrapping chapter).
- This machine as a cleaning tool only, not for any other purpose use.
- Always keep the openings free from dust, hairs and any other foreign material which could reduce the airflow. Do not use the machine if the openings are clogged.
- Use the machine only where a proper lighting is provided.
- This machine is not intended for use by persons with reduced physical, sensory or mental capabilities, or lack of experience and knowledge, unless they have been given supervision or instruction concerning use of the machine by a person responsible for their safety.
- Close attention is necessary when used near children.
- Children should be supervised to ensure that they do not play with the machine.
- While using this machine, take care not to cause damage to people or objects.

# MACHINE DESCRIPTION

## MACHINE STRUCTURE (as shown in Figure 1)

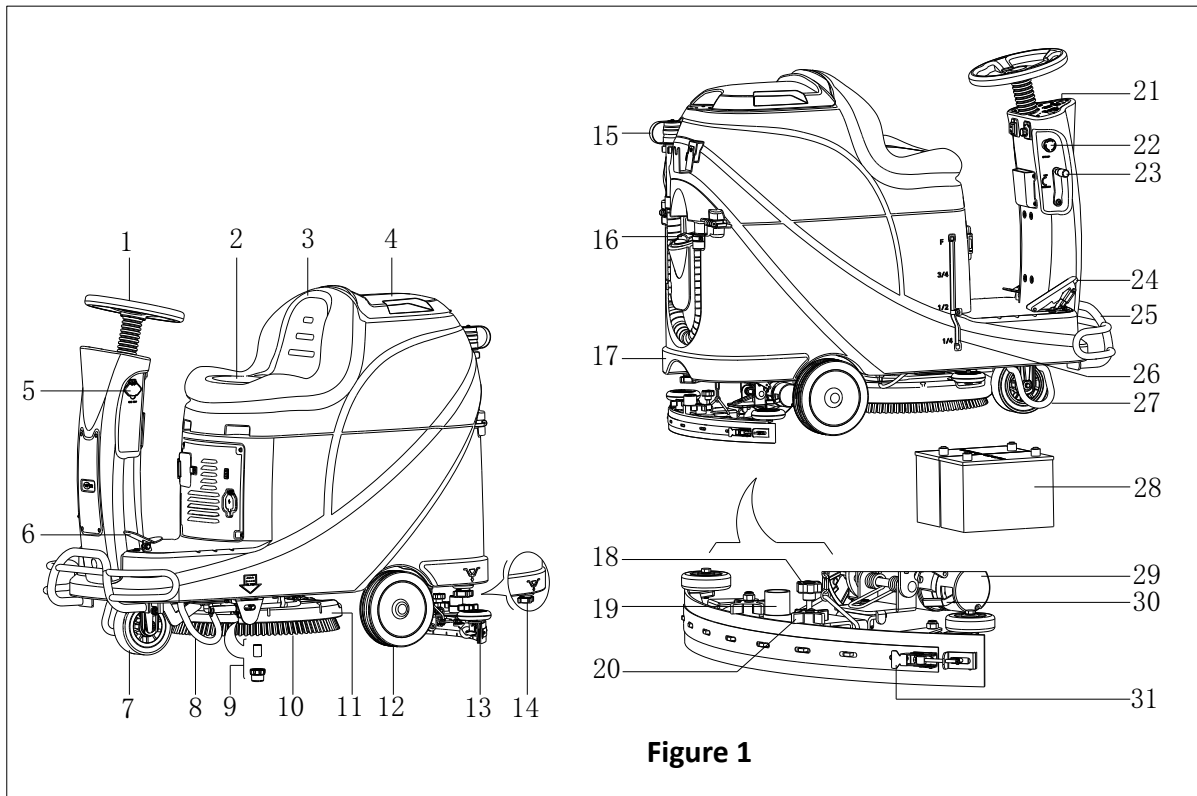
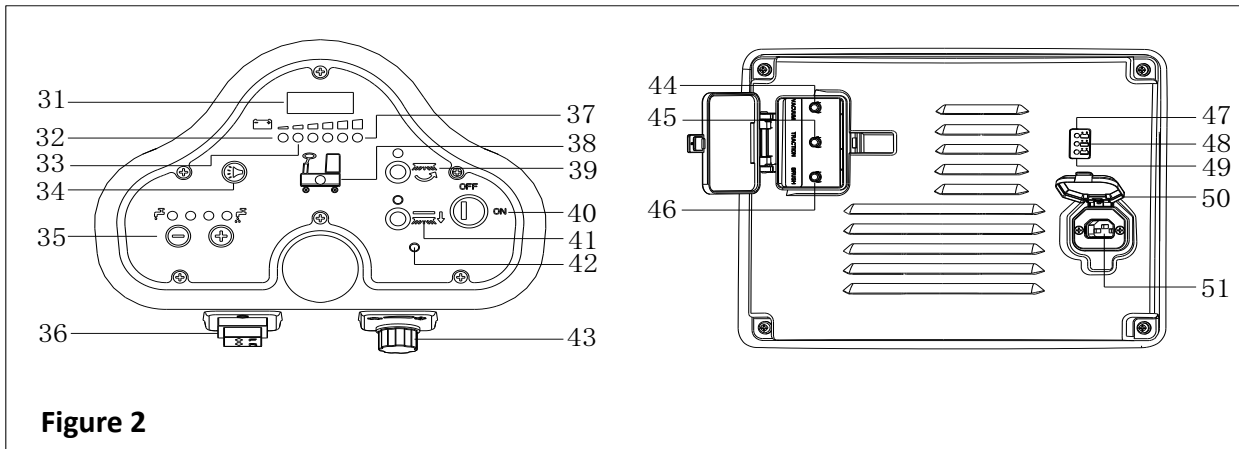


Figure 1

- |                           |                                     |
|---------------------------|-------------------------------------|
| 1. Steering wheel         | 17. Solution tank                   |
| 2. Seat cushion           | 18. Squeegee adjustment knob        |
| 3. Recovery tank          | 19. Vacuum hose                     |
| 4. Recovery tank cover    | 20. Squeegee knob                   |
| 5. USB charging port      | 21. Control panel                   |
| 6. Pedal                  | 22. Emergency switch                |
| 7. Front wheel            | 23. Squeegee lifting/lowering lever |
| 8. Left support bracket   | 24. Accelerate pedal                |
| 9. Solution Filter        | 25. Front bumper                    |
| 10. Brush                 | 26. Solution level indicator        |
| 11. Brush deck            | 27. Right support bracket           |
| 12. Rear wheel            | 28. Battery                         |
| 13. Squeegee assembly     | 29. Drive motor                     |
| 14. Solution outlet cover | 30. Brake block bracket             |
| 15. Sewage drain hose     | 31. Squeegee hasp                   |
| 16. Water inlet cover     |                                     |

## MACHINE DESCRIPTION

### CONTROL PANEL (as shown in Figure 2)



- |  |   |
|--|---|
| 31. LED screen                                 | 42. Drive motor trouble light               |
| 32. Discharged battery warning light (Red)     | 43. Speed adjusting knob                    |
| 33. Battery semi-discharged indicator (Yellow) | 44. Vacuum motor overload protector         |
| 34. Horn button                                | 45. Drive motor overload protector          |
| 35. Solution volume adjusting button           | 46. Brush motor overload protector          |
| 36. Forward-Backward switch                    | 47. Battery charge indicator (Red)          |
| 37. Battery fully charged indicator (Green)    | 48. Battery semi-charged indicator (Yellow) |
| 38. Solution tank empty indicator              | 49. Battery fully charged indicator (Green) |
| 39. Brush button                               | 50. Charger plug cover                      |
| 40. Key switch                                 | 51. Charger plug                            |
| 41. Brush unload button                        |   |

### LED SCREEN DISPLAY INFORMATION

STOP– Machine cannot move, brush stops working but vacuum motor can work

(00012.3) – Total working hours of machine are 12.3hours

L0-(18) – Battery voltage lower than 18V

U-(25.5) – Battery voltage is 25.5V

ERR-01 – Squeegee is not lifted when machine turns backward

### DISPLAY WINDOW OF CHARGER INDICATON LIGHT (as shown in Figure 2)

- At the beginning of charging, the Yellow LED (48) twinkles, the red LED (47) and green LED (49) turn on for a second, on the red LED turns off, and then the green LED twinkles a few times before the red LED on charger is normally. It is the first stage of charging.
- After charging for some time, the red LED (47) on charger turns off, the yellow LED (48) turns on, this is the second stage of charging.
- When charging is completed, the yellow LED (48) turns off, the green LED (49) turns on to indicate that the battery is fully charged.



#### NOTE

In the process of charging, if the yellow light (48) is on, it may be caused by: Battery and charger doesn't match, battery is not connected well, or output is short-circuited.

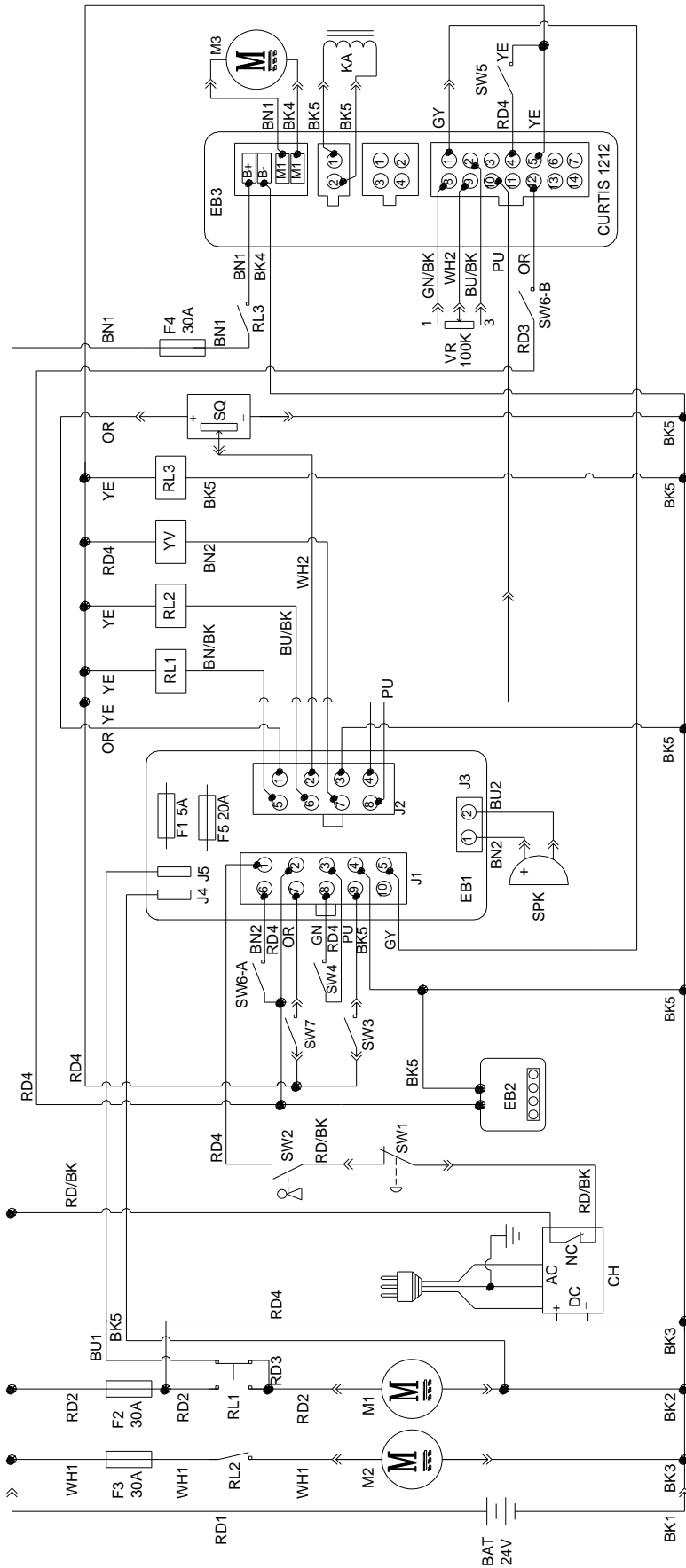
The red light of charger flashing may be caused by the charger internal short circuit.



**TECHNICAL PARAMETERS**

<b>MODEL</b>	<b>AS530R</b>	
Packing dimensions (Lx W x H)	mm	1470*730*1310
Machine height	mm	1120
Machine length	mm	1360
Machine width (without squeegee)	mm	580
Machine weight with empty tanks (without batteries)	Kg	140
Gross vehicle weight (GVW)	Kg	270
Shipping weight	Kg	245
Solution tank capacity	Liter	72
Recovery tank capacity	Liter	73
Vacuum motor power	Watt	400
Vacuum capacity	mm H <sub>2</sub> O	1223
Climbing capacity (Max)	%	10
Front wheel diameter	mm	φ175
Rear wheel diameter	mm	φ230
Sound level	dB(A)	69
Solution/water Flow	L/min	0.84-2.0
Working width	mm	530
Squeegee width	mm	730
Brush/pad diameter	mm	530
Brush motor power	Watt	450
Brush speed	Rpm	160
Brush/pad pressure (Max)	Kg	25
Drive motor power	Watt	300W
Working speed	Km/h	5.5km/h
Voltage	V	24V
Battery	Ah	2x100AH (20 hours)
Battery charger	V/A	24V 10A
Battery compartment size (L x W x H)	mm	350*380*300
USB charger specification	V/A	5V, 0.8A

CIRCUIT DIAGRAM



WIRE ROD		WIRE ROD	
RD1	RED/6AWG	BN/BK	BROWN/BLACK / 20AWG
RD2	RED/10AWG	BU1	BLUE/18AWG
RD3	RED/18AWG	BU2	BLUE/20AWG
RD4	RED/20AWG	BU/BK	BLUE/BLACK / 20AWG
RD/BK	RED/BLACK / 20AWG	GN	GREEN/20AWG
BK1	BLACK/6AWG	GN/BK	GREEN/BLACK / 20AWG
BK2	BLACK/10AWG	GY	GRAY/20AWG
BK3	BLACK/12AWG	PU	PURPLE/20AWG
BK4	BLACK/14AWG	OR	ORANGE/20AWG
BK5	BLACK/18AWG	YE	YELLOW/20AWG
BN1	BROWN/14AWG	WH1	WHITE/12AWG
BN2	BROWN/20AWG	WH2	WHITE/20AWG

COMPONENTS		COMPONENTS	
BAT	24V BATTERIES	M1	BRUSH MOTOR
CH	BATTERY CHARGER	M2	VACUUM MOTOR
EB1	CONTROL PANEL BOARD	M3	DRIVE MOTOR
EB2	USB CHARGING ELECTRONIC BOARD	SW1	EMERGENCY-STOP SWITCH
EB3	DRIVE ELECTRONIC BOARD	SW2	KEY SWITCH
RL1	BRUSH MOTOR ELECTROM SWITCH	SW3	CLEAN WATER LEVEL SWITCH
RL2	VACUUM MOTOR ELECTROM SWITCH	SW4	VACUUM MOTOR SWITCH
RL3	DRIVE SYSTEM ELECTROM SWITCH	SW5	OPTIONAL MODE SWITCH
YV	WATER ELECTROVALVE	SW6-A	OPTIONAL REVERSE SWITCH
F1	CONTROL PANEL BOARD FUSE	SW6-B	OPTIONAL REVERSE SWITCH
F2	BRUSH MOTOR CIRCUIT BREAKER	SW7	SEAT SWITCH
F3	VACUUM MOTOR CIRCUIT BREAKER	SQ	FOOT THROTTLE
F4	DRIVE SYSTEM CIRCUIT BREAKER	SPK	12VDC BUZZER
F5	BRUSH RELEASE FUSE	VR	SPEED POTENTIOMETER
KA	BRAKE		

COMPONENTS		COMPONENTS	
BAT	24V BATTERIES	M1	BRUSH MOTOR
CH	BATTERY CHARGER	M2	VACUUM MOTOR
EB1	CONTROL PANEL BOARD	M3	DRIVE MOTOR
EB2	USB CHARGING ELECTRONIC BOARD	SW1	EMERGENCY-STOP SWITCH
EB3	DRIVE ELECTRONIC BOARD	SW2	KEY SWITCH
RL1	BRUSH MOEOR ELECTROM SWITCH	SW3	CLEAN WATER LEVEL SWITCH
RL2	VACUUM MOEOR ELECTROM SWITCH	SW4	VACUUM MOTOR SWITCH
RL3	DRIVE SYSTEM ELECTROM SWITCH	SW5	OPTIONAL MODE SWITCH
YV	WATER ELECTROVALVE	SW6-A	OPTIONAL REVERSE SWITCH
F1	CONTROL PANEL BOARD FUSE	SW6-B	OPTIONAL REVERSE SWITCH
F2	BRUSH MOTOR CIRCUIT BREAKER	SW7	SEAT SWITCH
F3	VACUUM MOTOR CIRCUIT BREAKER	SQ	FOOT THROTTLE
F4	DRIVE SYSTEM CIRCUIT BREAKER	SPK	12VDC BUZZER
F5	BRUSH RELEASE FUSE	VR	SPEED POTENTIOMETER
KA	BRAKE		

WIRE ROD		WIRE ROD	
RD1	RED/6AWG	BN/BK	BROWN/BLACK / 20AWG
RD2	RED/10AWG	BU1	BLUE/18AWG
RD3	RED/18AWG	BU2	BLUE/20AWG
RD4	RED/20AWG	BU/BK	BLUE/BLACK/20 AWG
RD/BK	RED/BLACK/20AWG	GN	GREEN/20AWG
BK1	BLACK/6AWG	GN/BK	GREEN/BLACK / 20AWG
BK2	BLACK/10AWG	GY	GRAY/20AWG
BK3	BLACK/12AWG	PU	PURPLE/20AWG
BK4	BLACK/14AWG	OR	ORANGE/20AWG
BK5	BLACK/18AWG	YE	YELLOW/20AWG
BN1	BROWN/14AWG	WH1	WHITE/12 AWG
BN2	BROWN/20AWG	WH2	WHITE/20AWG

## OPERATING GUIDE



### WARNING!

Pay high attention to these symbols in this manual:

- DANGER!
- WARNING!
- CAUTION!
- CONSULTATION

Never cover these symbols on the machine for any reason, replace it immediately if any damage.

## INSTALLING AND SETTING OF NEW MACHINE BATTERY



### WARNING!

The electric components of the machine can be seriously damaged if the batteries are either improperly installed or connected.

The batteries must be installed by qualified personnel. Set the battery charger (optional) and machine PCBA according to the battery type (WET or GEL/AGM).

Check the batteries whether it is damaged before installation.

Disconnect the battery connector and the battery charger plug.

Handle the batteries with great care.



### NOTE

The machine requires two 12V batteries, connecting according to Figure 3.

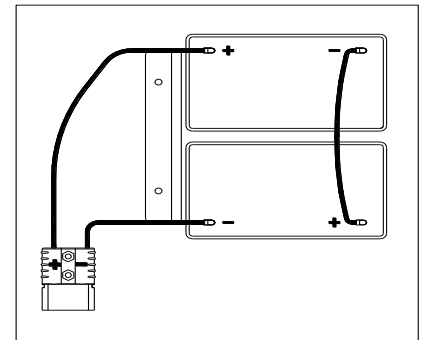


Figure 3

The machine can be operated in one of following battery modes:

### A) WET or GEL/AGM batteries are already installed and ready to be used

1. Check the batteries and connect the battery connector to the machine.
2. Insert the key switch (40) and turn to "on". If the green light (48) turns on, batteries are full charged for use; If the yellow or red light (47 or 48) turns it on, the batteries must be charged.

### B) Without Batteries

1. If your machine isn't equipped with batteries, buy appropriate batteries [See the Technical Data Paragraph]. For battery choice and installation, turn to qualified battery Retailers.
2. When batteries are ready, set the machine and the battery charger according to the type of installed batteries, then follow the procedures shown in the next paragraph.

## BATTERY INSTALLATION AND BATTERY TYPE SETTING (WET OR GEL/ AGM)

Set the electronic circuit board of the machine and battery charger according to battery types (WET or GEL/AGM) following steps below:



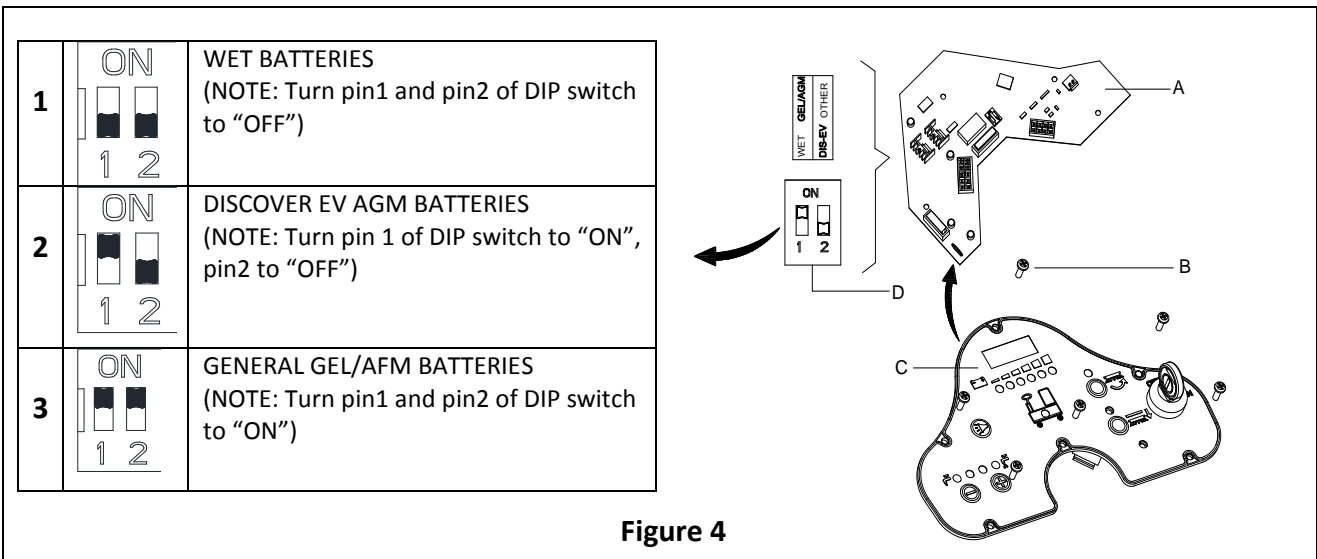
### NOTE

When install new batteries, follow Figure 4 to set DIP switch, or batteries may be damaged by wrong setting.

### Machine setting

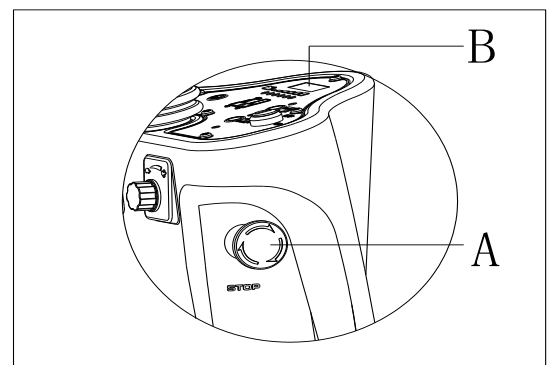
1. Insert key switch (40) and turn to "ON", pay attention to below during the first seconds of machine start:
  - If the green light (37) flash, machine is set up to use GEL/AGM batteries.
  - If the yellow light (33) flash, machine is set up to use Discover EV AGM batteries.
  - If the red light (32) flash, machine is set up to use WET batteries.
2. Follow below steps to change the machine settings.
3. The factory setting of the machine is to use Discover EV AGM batteries. If the setting corresponds to selected batteries, go to step 6 directly, or follow the next step.

- Unscrew the screw (B, Figure 4) on control panel, then turn over the PCBA (A) on the panel to find DIP switch (D), follow Figure 4 for DIP settings.
- Perform steps in reserve order of disassembly to fix control panel and lock the screw after setting is done.



**Battery Installation**

- Open the recovery tank cover (4) and check the recovery tank (3) is empty, otherwise, empty it with the drain hose (15).
- Close the recovery tank cover (4).
- Overturn the recovery tank (3) carefully.
- The machine is supplied with cables suitable to install 2X12V batteries. Carefully put the batteries into the compartment, then install them correctly.
- Route and install the battery cable as shown in (Figure 3), then carefully tighten the nut on each battery terminal.
- Place the protection cap on each terminal, then connect the battery connector.
- Carefully lower the recovery tank (3).



**Figure 5**

**Charging the Batteries**

- Charging the batteries. [Refer to MAINTENANCE chapters].

**EMERGENCY BRAKING**

If there is any emergency during machine operating, press the emergency switch (A, Figure 5), then all functions of machine will stop, there is no display on control panel (B, Figure 5)

**BRUSH/PAD INSTALLATION AND UNINSTALLATION**



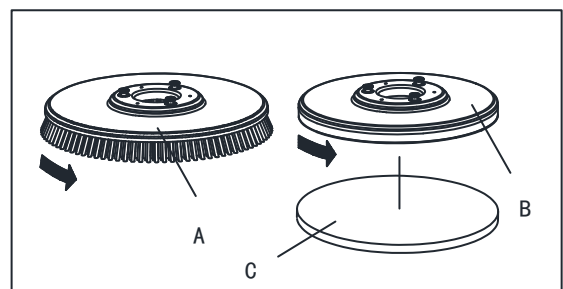
**NOTE**

Install suitable brush (A, Figure 6) or Pad (B and C, Figure 6) according to the type of floor to be cleaned.



**CAUTION**

Before installation or uninstallation of brush or pad, make sure all the switches on machine are in off position and lifting up the squeegee from the floor. The operator must be equipped with suitable personnel protection devices such as gloves to reduce the risk of accidents. Proceed as following:



**Figure 6**

1. Insert key switch (40) and turn to "ON".
2. Press the pedal (6) forward by foot to lift brush assembly (11) from the floor.
3. Rotate speed adjusting knob (42) in counterclockwise until to the end.
4. Place the brush (A, Figure 5) or pad (B, Figure 5) center align with brush deck.
5. Press the pedal (6) backward by foot to lower down brush assembly (11). Sit on the seat, press the brush button (39) and depress the pedal (23) slightly, the brush/pad can be assembled automatically. Repeat these steps until brush/pad is installed.
6. If step5 install the brush/pad but not successfully, please manually take the brush/pad down.
7. Depress the pedal (6) forward by foot to lift the brush assembly (11) from floor, press brush remove button (41) to uninstall it automatically.



**CAUTION!**

Rotate the speed adjusting knob (42) to the minimum speed before depressing accelerate pedal (6) to avoid the machine running too quickly when it is started. Make sure the brush/pad is installed correctly before machine operating.

**ADJUSTING THE BALANCE OF SQUEEGEE**

1. Install the squeegee (13) and fasten the squeegee knob (20), then connect the vacuum hose (19) to the squeegee.
2. Adjust the squeegee by squeegee adjusting handle (A, Figure 7).
  - a) If there is gap between the ground and middle section of rear squeegee blade (B), adjust the knob (A) in counterclockwise direction (F) until all section of rear squeegee blade good contact with ground, the front blade touch the ground slightly.
  - b) If there is gap between the ground and both end section of rear blade(C and D), adjust the knob (A) in clockwise direction (E) until all section of rear blade good contact with the ground, the front blade touch the ground slightly.

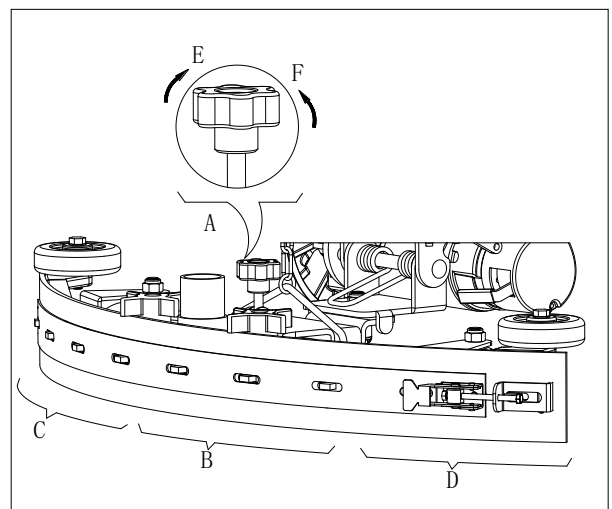


Figure 7

**SOLUTION TANK FILLING**

1. Open the water inlet cover (E, Figure 8).
2. Filling water or solution suitable for work performance through the water inlet with filter. The solution temperature must not exceed +104F (+40°C).
3. Don't overfill the tank, refer to water level indicator (G) for the water volume.



**WARNING!**

Use only low-foam and non-flammable detergents intended for automatic scrubber applications.

**Drive motor inspection**

1. Turn the key switch (A, Figure 9) to "ON"
2. Depress the accelerate pedal (C) slightly then loosen it to check if the machine can be steered forward and stopped.
3. To ensure the security, confirm if the machine can be stopped immediately by pressing the emergency button (B). Rotate the emergency button to reset it.



**CAUTION**

Climbing capacity of the machine must not exceed 10%.



**CAUTION**

The brake of drive motor is unstuck when the motor works normally, it locks when the motor stops working.

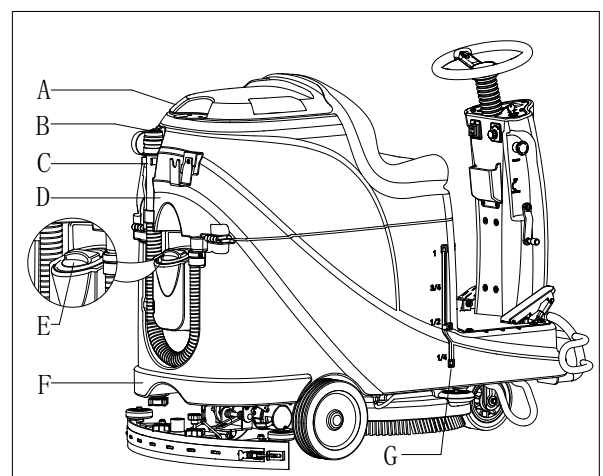


Figure 8

- Brake unstuck -the brake handle(D, Figure 9) locates above
  - Brake locked –the brake handle locates lower
- In some special cases, such as machine packing/unpacking, machine fault etc., need to move the machine without drive motor working, please manually set the brake to unstuck status to move it.
- To avoid any security risk, ensure to set the brake back to locked status after machine movement.

## MACHINE START AND STOP

### Starting the machine

1. Prepare the machine as shown in previous paragraph.
2. Sit on the seat (L, Figure 10), insert the key switch (A) and turn it to "ON". If the green light (C) is on, the batteries are fully charged for use. If the yellow light (E) or red light (D) is on, batteries must be charged before operation. [Refer to MAINTAINENCE chapters for batteries charging]
3. Lower the squeegee assembly to the floor.



**NOTE**

Make sure the squeegee assembly is lifted before the machine steer backward, or the Machine will be stopped and LED screen show "Error" information.

4. Lower the brush assembly to the floor.



**NOTE**

Make sure to turn off brush button before brush assembly is lifted, and lift the brush assembly before machine steers forward/backward.

5. Press brush button (B)
6. Depress the accelerate pedal (R), operate the machine forward or backward by steering wheel (N) together with forward-backward switch (H), you can adjust speed by speed adjusting knob (I).
7. Adjust solution flow by solution adjusting button (G) base on cleaning requirement.
8. You can charge your phone or pad through USB charging port (M) when the key switch (A) is turned to "ON".
9. Press the horn button (F) to warn people when necessary.
10. If necessary, press the emergency button for machine emergency stop.



**NOTE**

The brush motor, vacuum motor, drive motor and control circuit are protected by overload protector (P).When the overload protector trip, do not reset it immediately without finding out the root cause, and make sure the motor is cooling-off before reset.

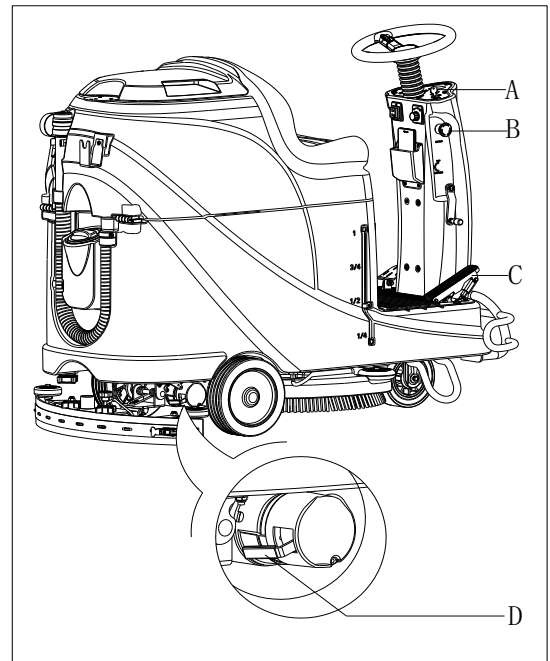


Figure 9

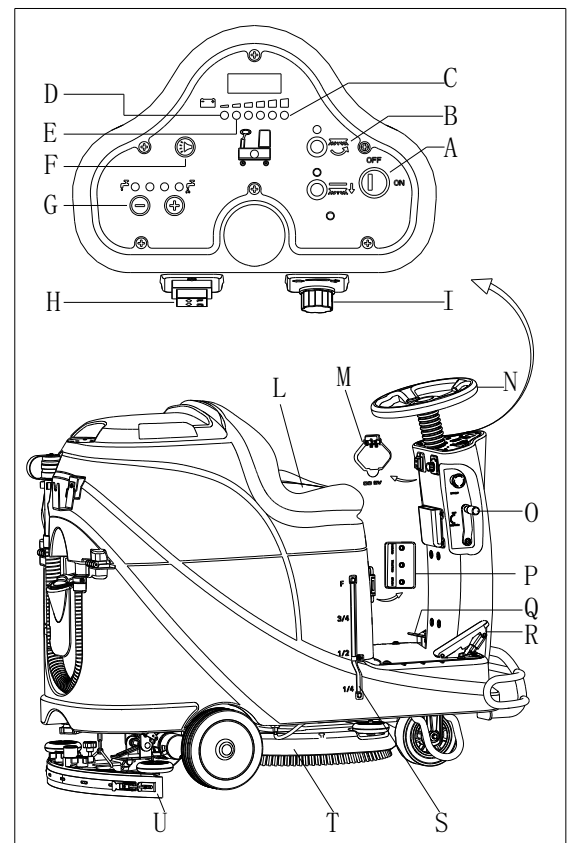


Figure 10

### Stopping the machine

11. Loosen the accelerate pedal (R, Figure 10), the machine stops running.
12. Press brush button (B) to stop brush motor.
13. Lift brush assembly (T) by depressing the pedal (Q).
14. Lift squeegee assembly (U) by squeegee lifting/lowering lever (O), and a few seconds later the vacuum system will be closed.

15. Turn the key switch to "OFF"
16. Ensure the machine is stopped.

### MACHINE OPERATION (SCRUBBING AND DRYING)

1. Start the machine according to procedures in previous paragraphs.
2. Start cleaning by following procedures in section of "Starting the machine".
3. If necessary, stop the machine to adjust squeegee according to section "Adjusting the balance of squeegee".



**CAUTION!**

To avoid any damage to the floor surface, turn off the brush/pad-holder when the machine stop in one place.



**NOTE**

For correct scrubbing/drying of floors at the sides of walls, we suggest to go near the walls with right side (Bumper wheel side) of the machine as shown in below Figure 11.

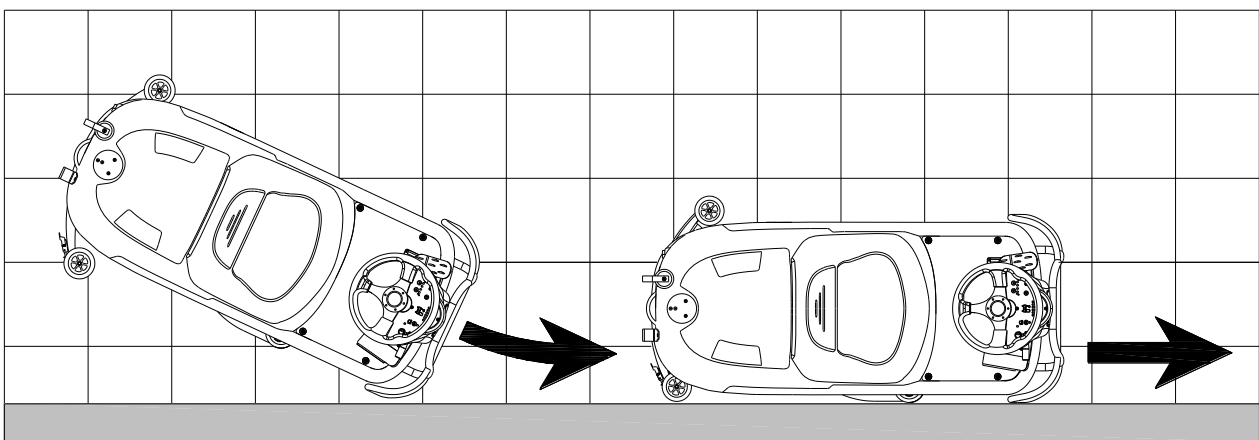


Figure 11

### Battery charging during the work

When there is green light (A, Figure 12) on, the batteries have enough power for the machine to work normally; when all the green lights off, the yellow light (C, Figure 12) is on, the power of batteries are too low, please charge the batteries; when the red light (B, Figure 12) flashes, the batteries has run out, the vacuum motor and brush motor will be turned off automatically a few seconds delay, please drive the machine for batteries charging immediately.



**CAUTION!**

To avoid damaging the batteries and shortening their working life, do not use the machine once the batteries are flat.

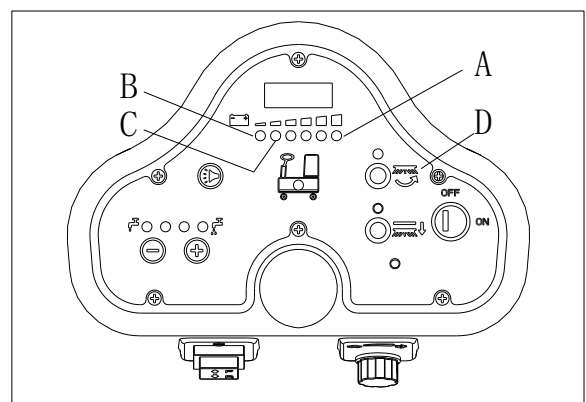


Figure 12



## TANK EMPTYING

An automatic float shut-off system (B, Figure 13) blocks the vacuum system when the recovery water tank (C) is full. The vacuum system deactivation is signaled by a sudden increase in the vacuum system motor noise frequency, also the floor has not dried.



### CAUTION!

If the vacuum system turns off accidentally, (For example, when the float is activated because of a sudden machine movement), to resume the operation: turnoff the vacuum system by pressing the switch (D, Figure 12), then open the cover (A, Figure 11) and check that the float inside the grid (B) has gone down to the water level. Then close the cover (A) and turn on the vacuum system by pressing the switch (D, Figure 12).

When the recovery water tank (C, Figure 13) is full, empty it according to the following procedure.

### Recovery water tank emptying

1. Stop the machine.
2. Lift the brush/pad deck (H, Figure 12) by pressing the pedal (G).
3. Lift the squeegee with the lever (H).
4. Drive the machine to the appointed disposal area.
5. Empty the recovery tank with the drain hose (D). Then rinse the tank with clean water.



### CAUTION!

When draining the wastewater, the drain hose must be folded (A, Figure 14) and put to a low position (B, Figure 14) before opening the drain hose cover. Do not make the outlet of the drain hose upward to drain the water vertically in order to avoid wastewater spilling onto the operator.

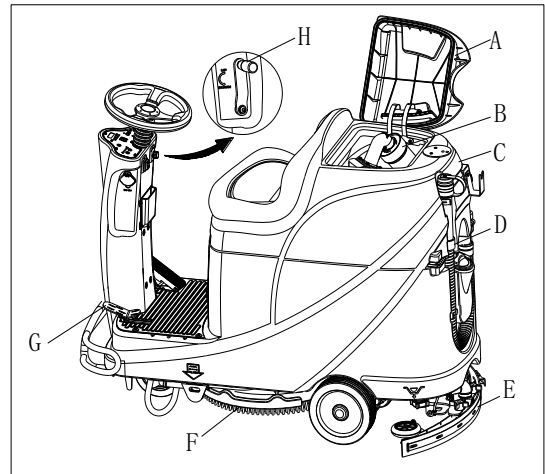


Figure 13

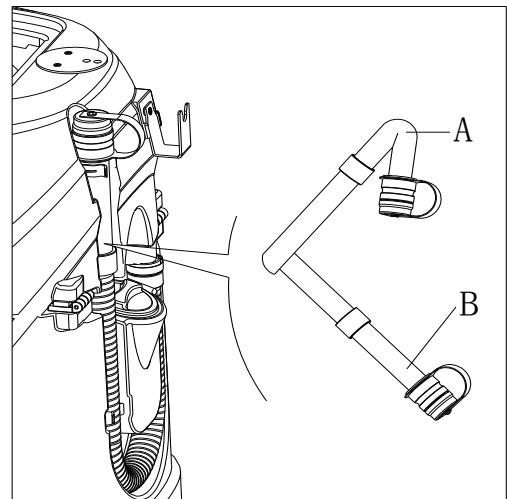


Figure 14

### Solution/clean water tank emptying

6. Perform steps 1 to 4 in chapter "Recovery water tank emptying".
7. Empty the solution tank through the outlet cover (A, Figure 15). And then, rinse the tank with clean water.

## AFTER USING THE MACHINE

After working, before leaving the machine:

1. Remove the brushes/pad-holder.
2. Empty the tanks (B and C, Figure 15) as shown in previous paragraph.
3. Perform the daily maintenance procedures (see the Maintenance chapter).
4. Store the machine in a clean and dry place, with the brushes / pad-holders and the squeegee lifted or removed.

## MACHINE LONG INACTIVITY

If the machine is not going to be used for more than 30 days, proceed as follows:

1. Perform the procedures shown in "AFTER USING THE MACHINE" paragraph.
2. Disconnect the battery connector (D, Figure 15).

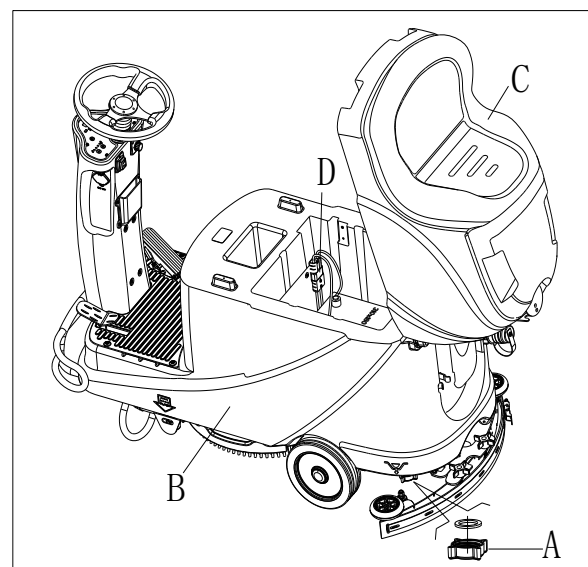


Figure 15

### USING FOR THE FIRST TIME

After nine hours using of the machine for the first time, please check if any damage or abnormal situation, check whether the fasteners or fittings is loose.

### MAINTENANCE



**WARNING!**

Maintenance procedures must be performed after the machine is turned off and the battery charger cable is disconnected. In addition, carefully read the safety chapters in the manual.

All scheduled or extraordinary maintenance procedures must be performed by qualified personnel or an authorized Service Center. This guide only describes the general and common maintenance procedures.

For other maintenance procedures that are in below maintenance schedule table, please refer to the Service Manual that can be consulted at any Service Center.

### SCHEDULED MAINTENANCE TABLE



**CAUTION!**

The procedure marked with (1) must be performed when the machine is used after 9 hours for the first time.

The procedure marked with (2) must be done by Service Center that qualified by our company.

Procedure	Daily, after each use	Weekly	semiannually	Yearly
Battery charging				
Squeegee cleaning				
Brush/Pad-holder cleaning				
Tank cleaning				
Tank sealing strip inspection				
Float ball filter cleaning				
Squeegee blade check and replacement				
Cleaning water filter cleaning				
Suction filter cleaning				
WET battery fluid level check				
Screw and nut tightness inspection			(1)	
Brush/Pad-holder carbon brush check or replacement				(2)
Suction motor carbon brush check or replacement				(2)
Drive system motor carbon brush check or replacement (only for machine with traction)				(2)
Add lubricating oil for rotating parts			(1)	

### BATTERY CHARGING



**NOTE**

Please charge the batteries when the yellow LED (32) or red LED (33) is on, or at the end of each working cycle.



**CAUTION**

Always keep the battery in a full charged state can extend its lifetime.



**CAUTION**

Please charge the battery as soon as possible if the battery level is low. Otherwise, the lifespan of battery can be reduced. It is better to check the battery at least once a week.

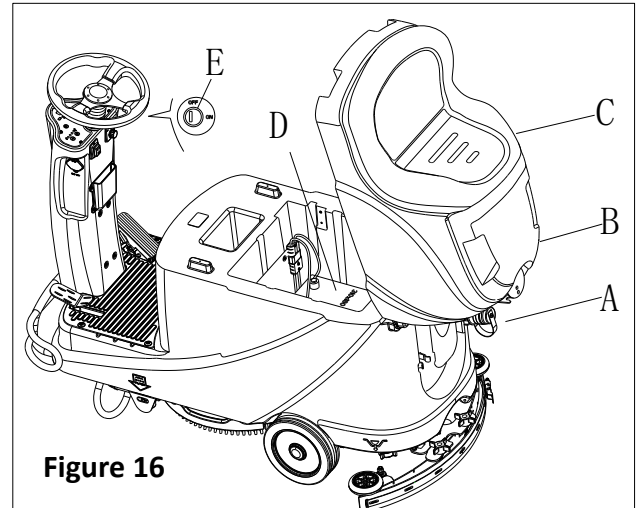


**CAUTION!**

To be especial careful when battery is charging, because there may be leaked acid in the process of charging. Battery acid is corrosive, if it accidentally comes into contact with the skin or eyes, rinse immediately with plenty of clean water and go to see a doctor.

**The preparation steps to charge the batteries**

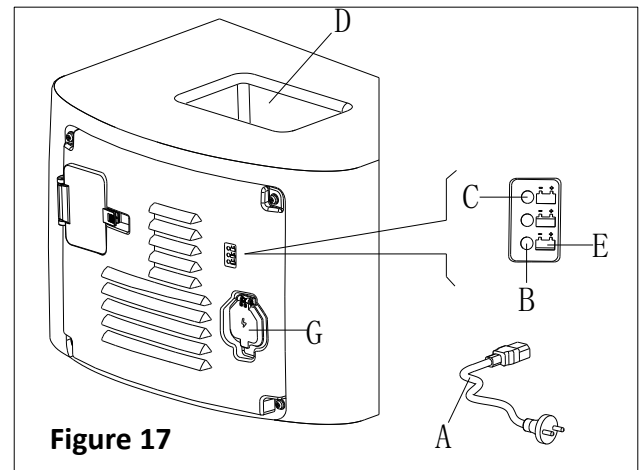
1. Open the recovery tank cover (B, Figure 16) to check if the recovery tank (C) is empty, or empty the recovery tank through the drain hose (A).
2. Drive the machine to designated charging area.
3. Turn the key switch to "OFF".
4. This step only for WET batteries:
  - Clean the battery surface if necessary.
  - Check the battery electrolyte level of the batteries (D), if necessary, open the cover to full fill electrolyte, and then recover it.
  - Keep the cover opened during charging.
5. Select one of below charging mode base on the selected charger type.



**Figure 16**

**Use on-board charger for battery charging**

6. Connect the battery charger cable (A, Figure 17) to the electric mains (G), and then all machine functions except charging are cut off automatically. The normally on red LED (B) states that the machine is in process of charging.
7. The batteries are fully charged when the green LED (C) becomes on.
8. Disconnect battery charge cable from electric mains after charging is completed, and then store the battery charger cable in the storage box (D).



**Figure 17**



**NOTE**

For further information about on-board charger (E, Figure 17), please refer to relevant manual from service center.

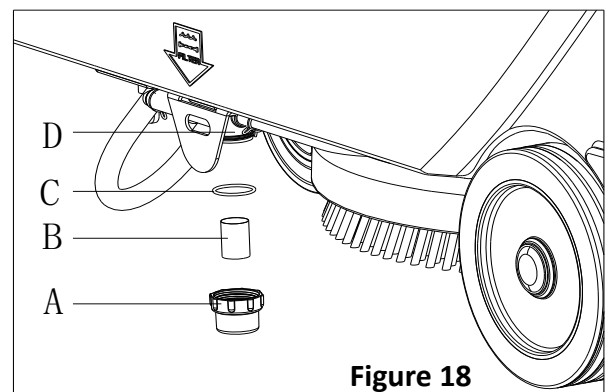
**BRUSH/PAD CLEANING**



**CAUTION!**

It is recommended to wear gloves when cleaning the brush/pad-holder, since it may contain sharp fragments.

1. Take the brush/pad-holder off base on procedures in previous sections.
2. Clean the brush/pad-holder using water and detergent.
3. Check the integrity and abrasion conditions of the bristle on the brush, if necessary, replace the brush.
4. Check the abrasion condition of the polishing pad, if necessary, replace it.



**Figure 18**

### SOLUTION FILTER CLEANING

1. Drive the machine to the flat ground.
2. Make sure the machine is off.
3. Empty the solution tank (optional step).
4. Take down the solution filter cover (A, Figure 18) to clean the filter screen (B), and then fix them back to the filter support (D).



**NOTE**

The filter screen (B) must be correctly positioned to the housing of filter support (D).

### SQUEEGEE CLEANING



**NOTE**

The squeegee must be clean and its blades must be in good conditions in order to get good drying.



**CAUTION**

It is advisable to wear protective gloves when cleaning the squeegee because there may be sharp debris.

1. Drive the machine on a level floor.
2. Turn the key switch (A, Figure 19) to "OFF".
3. Lower the squeegee (B) with the lever (C).
4. Loosen the knobs (D) and remove the squeegee.
5. Disconnect the vacuum hose (E) from the squeegee.
6. Clean the steel or aluminum squeegee, especially the compartments (A, Figure 20) and the holes (B). Check the integrity, cuts and tears of the front blade (B) and rear blade (C), if necessary, replace them according to procedures in the following paragraph.
7. Assemble the squeegee in the reverse order of disassembly.

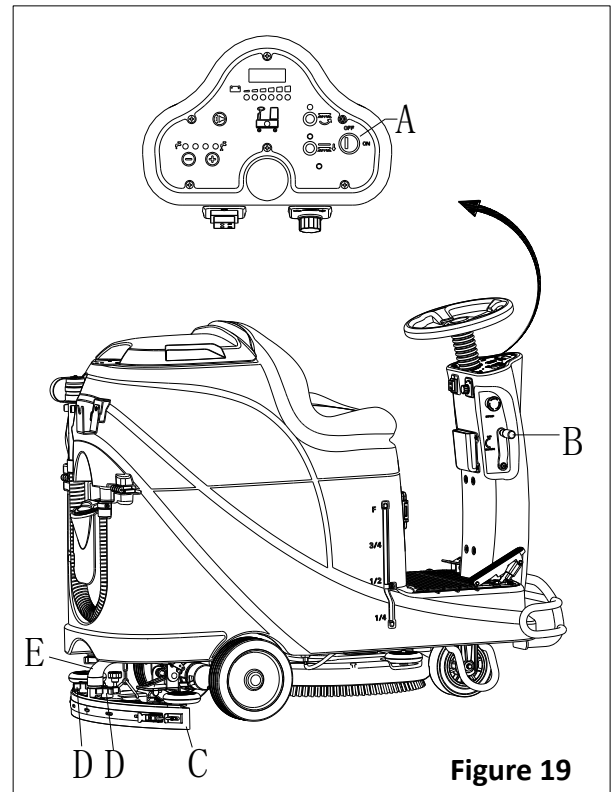


Figure 19

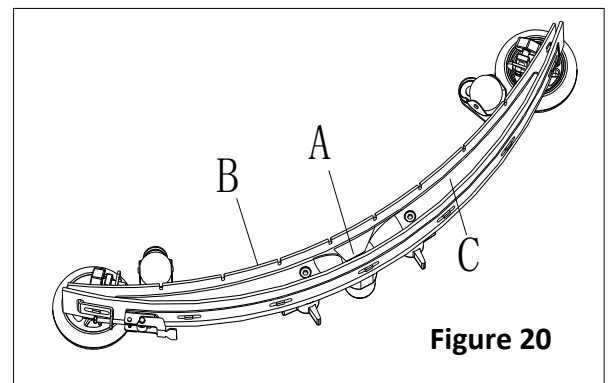


Figure 20

### SQUEEGEE BLADE CHECK AND REPLACEMENT

1. Clean the steel or the aluminum squeegee, as shown in the previous paragraph.
2. Check that the edges (E, Figure 21) of the front blade (C) and the edges (F) of the rear blade (D) lay down on the same level, along their length; if necessary adjust their height according to the following procedure:
  - Remove the tie rod (G), disengage the fasteners (M) and adjust the rear blade (D), then engage the fasteners (M) and install the tie rod (G).
  - Loosen the knobs (I) and adjust the front blade (C), then tighten the knobs.
3. Check the front blade (C) and rear blade (D) for wear, cuts and tears; if necessary replace them according to the following procedure. Check that the front corner (J) of the rear blade (D) is not worn; if necessary overturn the blade to replace the worn corner with an integral one. If the other corners are worn too, replace the blade according to the following procedure:
  - Remove the tie rod (G), disengage the fastener (M) and remove the retaining strip (K), then replace/overturn the rear blade (D). Assemble the blade in the reverse order of disassembly.
  - Unscrew the knobs (I) and remove the retaining strip (L), then replace front blade (C). Assemble the blade in the reserve order of disassembly. After the blade replacement (or overturning), adjust the height as shown in the previous step.
4. Connect the vacuum hose (A, Figure 22) to the squeegee.
5. Install the squeegee (B) and screw down the knobs (C).
6. If necessary, adjust the squeegee balance adjusting knob (D).

### TANK AND VACUUM GRID WITH FLOAT CLEANING, AND COVER GASKET CHECK

1. Drive the machine on a level floor.
2. Ensure that the machine is off and the ignition key (40) has been removed.
3. Turn the recovery tank lid (A, Figure 23) 90 degree position where it can be taken off from the tank, and then take down the float ball filter (P) from the tank.
4. Clean the recovery tank lid (A), recovery tank (B), clean water tank (C) and the float ball filter support frame (E). Empty the recovery tank with the drain hose (15).
5. If necessary, follow the symbols "OPEN" and "CLOSE" as shown in Figure 23 to open the bottom cover (F) of float ball filter and then clean the float ball (D), filter support frame (E) and filter sponge (I). After cleaning, fix the float ball (D) into the filter support frame (E) and then align the mark groove (L) of the bottom cap (F) of the float ball filter with the mark groove (L) of the float filter support frame (E). Screw the bottom cap of the float ball filter tight, and fix the filter sponge (I) onto the float filter support frame (E). Finally, connect it to the sewage suction hose (M).
6. Inspect the integrity of the tank sealing strip.

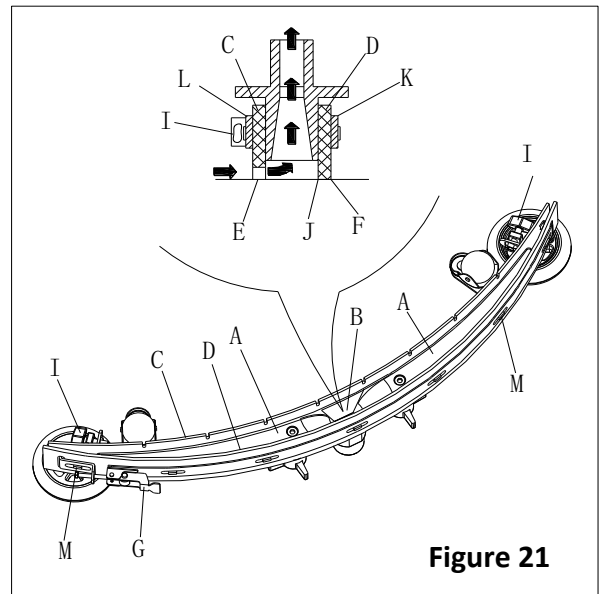


Figure 21



**NOTE**

Tank sealing strip (G) makes to produce the vacuum inside the tank when suction motor works. The tank must be sealed can effectively absorb the water from the ground to recovery tank.

7. Check whether the contact surface of sealing strip (G) is integrity and sealing is sufficient. If necessary, take the sealing strip of the tank out of the groove (H) and replace it. Assemble the new sealing strip as shown in Figure 23, the joint should be back in the middle area.
8. Close the recovery tank lid (A).

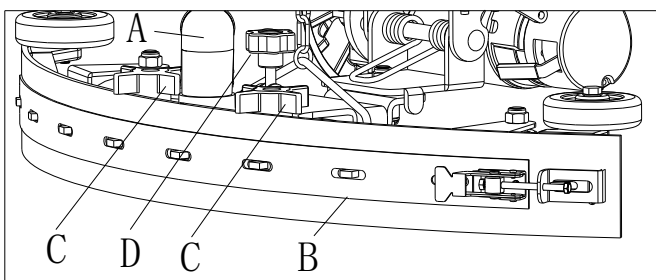


Figure 22

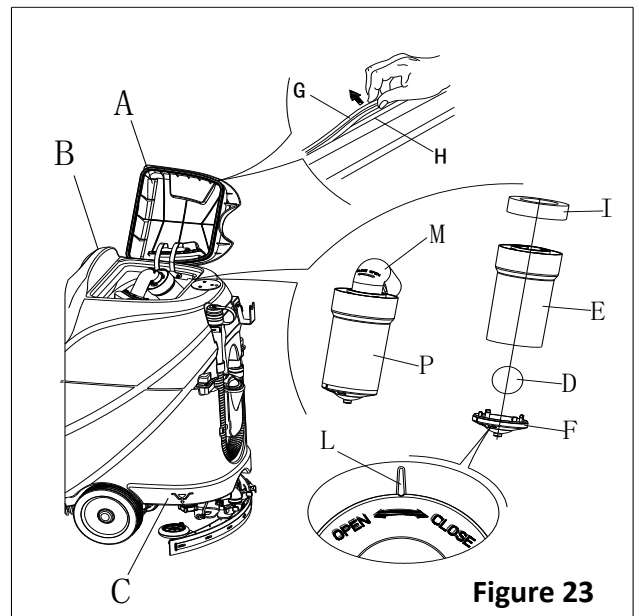


Figure 23

### FUSE CHECK/REPLACEMENT

1. Turn the key switch (D, Figure 24) to "OFF".
2. Disconnect the battery connect cable.
3. Unscrew the screws (C) on the control panel and then turn over the PCBA to find the fuse (A and B).
4. Check/replace the fuses:
  - A) F1 is the low-power circuit fuse (5A)
  - B) F3 is brush dismount fuse (20A)
5. After check/replacement is done, re-assemble in the reserve order of dismount.
6. Check or reset the motor overload protector.
  - E) F5 is vacuum motor overload protector (30A)
  - F) F4 is drive motor overload protector (30A)
  - G) F2 is brush motor overload protector (30A)

### ACCESSORIES/OPTIONS

In addition to the standard components, the machine can be equipped with the following accessories/options, according to the machine specific use.

For further information concerning the above mentioned optional accessories, contact an authorized retailer.

#### Accessories/Options

See "Parts List" section

1. GEL/AGM batteries
2. Pads of different materials

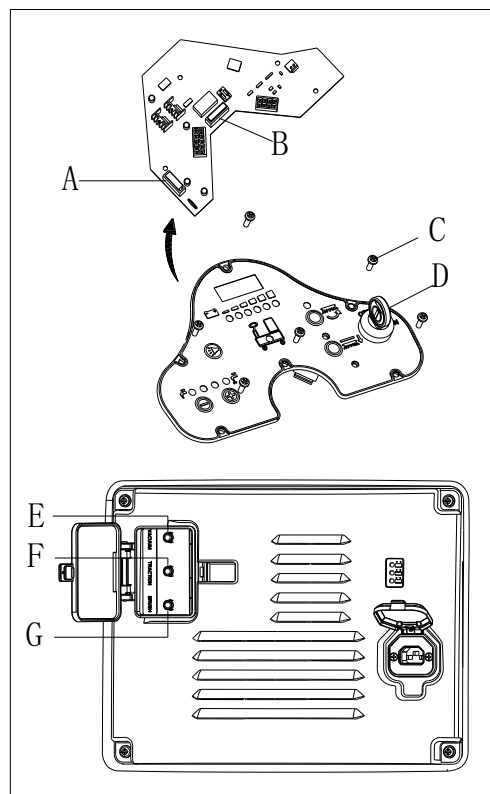


Figure 24

### TROUBLE SHOOTING

Trouble	Probable causes	Remedy
The motors do not work; no warning light turns on (C9)	The battery connector is disconnected	Connect the battery connector
	The batteries are completely discharged	Charge the batteries
The machine do not work, red battery capacity warning light turns on (C8)	The batteries level is too low	Charge the batteries
The machine do not go-forward / backward	The control circuit board fault	Replace the control circuit board
	The drive motor controller fault	Refer to "DRIVE MOTOR ERROR INDICATOR INFORMATION"
	The operator not on the seat	Sit on the seat
	Squeegee is not lifted during machine goes backward	Lift the squeegee
The brush motor does not work	The control circuit board fault	Replace the control circuit board
	Brush motor overload	Use soft bristle brush that is suitable for cleaning, and reset the brush motor overload protector
	Brush motor contactor fault	Contact after-sales service
	Brush motor carbon brush wearing	Contact after-sales service
	Obstacles prevent the brush rotating	Clean the brush
The drive motor does not work	Drive motor trouble light turns on	Refer to "DRIVE MOTOR ERROR INDICATOR INFORMATION"
	Drive motor overload	Reset drive motor overload protector and check drive motor/circuit
The vacuum motor does not work	Vacuum motor overload	Reset vacuum motor overload protector and check vacuum motor
	Relay of vacuum motor fault	Contact after-sales service

	Control board fault	Replace the control board
Insufficient suction, the floor cannot be dried	Recovery tank is full	Empty the recovery tank
	Drain hose and squeegee poor connection	Connect the drain hose and squeegee correctly
	Float ball filter block	Clean the float ball filter and check the float ball position status
	Squeegee is dirty or wearing	Check and clean the squeegee
	The recovery tank cover is not closed properly, or the gasket is damaged, or the Bend tube is clogged	Close the cover correctly, or replace the gasket or clean the Bend tube.
	The Recovery tank is dirty	Clean the recovery tank
Insufficient solution supply to brush plate	The solution filter is dirty	Clean the filter
	The solution tank empty indicator is on	Fill the solution tank
	The solution tank is too dirty	Clean the solution tank
Squeegee leaves scratch on the floor	There are debris under the squeegee blade	Remove the debris
	Squeegee blade wear, crack, aged	Replace the squeegee blades
	The squeegee balance is not adjusted	Adjust the squeegee balance
Drive motor brake failure	The brake is locked	Set the brake unstuck

**DRIVE MOTOR ERROR INDICATOR INFORMATION**

LED CODES		FAULT	POSSIBLE CAUSE
1.1	□□	THERMAL FAULT	1. Temperature >80°C or < -10°C. 2. Excessive load on vehicle. 3. Operation in extreme environments. 4. Electromagnetic brake not releasing.
1.2	□□□	THROTTLE FAULT	1. Throttle input wire open or shorted. 2. Throttle pot defective. 3. Wrong throttle type selected.
1.3	□□□□	SPEED POT FAULT	1. Speed limit pot wire(s) broken or shorted. 2. Broken speed limit pot.
1.4	□□□□□	UNDERVOLTAGE FAULT	1. Battery voltage <17 volts. 2. Bad connection at battery or controller.
1.5	□□□□□□	OVERVOLTAGE FAULT	1. Battery voltage >31 volts. 2. Vehicle operating with charger attached. 3. Intermittent battery connection.
2.1	□□□	MAIN OFF FAULT	1. Main contactor driver failed open.
2.3	□□□□□	MAIN FAULT *	1. Main contactor welded or stuck open. 2. Main contactor driver fault.
2.4	□□□□□□	MAIN ON FAULT	1. Main contactor driver failed closed.
3.1	□□□□	WIRING FAULT *	1. Misadjusted throttle. 2. Broken throttle pot or throttle mechanism.
3.2	□□□□□	BRAKE ON FAULT	1. Electromagnetic brake driver shorted. 2. Electromagnetic brake coil open.
3.3	□□□□□□	PRECHARGE FAULT *	1. Brake driver shorted. 2. Precharge circuit damaged. 3. MOSFET failure.
3.4	□□□□□□□	BRAKE OFF FAULT	1. Electromagnetic brake driver open. 2. Electromagnetic brake coil shorted.
3.5	□□□□□□□□	HPD FAULT	1. Improper sequence of throttle and KSI, push, or inhibit inputs. 2. Misadjusted throttle pot.
4.1	□□□□□	CURRENT SENSE FAULT *	1. Short in motor or in motor wiring. 2. Controller failure.
4.2	□□□□□□	HARDWARE FAILSAFE *	1. Motor voltage does not correspond to throttle request. 2. Short in motor or in motor wiring. 3. Controller failure.

4.3	□□□□□□□□	EEPROM CHECKSUM FAULT †	1. EEPROM failure or fault.
4.5	□□□□□□□□□□	BATTERY DISCONNECT FAULT ※	1. Battery not connected. 2. Poor connection to battery terminals.

※ = Must cycle keys witch to clear.

† = Must use programmer to clear, as follows: select Program menu, alter data value of any parameter, cycle keys witch.



**NOTE**

The machine which is equipped with on-board charger will not be operated when the on-board charger malfunction, please contact our qualified maintenance center for help.

**SCRAPPING**

Scrap the machine by the qualified waste treatment institution.

Before the machine is scrapped, please take away and segregate below subassembly that relevant laws and regulations request must be disposed in appropriate way.

- Battery
- Brush/Pad-holder
- Plastic hose and plastic parts
- Electrical and electronic components (\*)

(\*) Please contact our service center to destroy any of electrical and electronic components.



## TABLE DES MATIÈRES

<b>INTRODUCTION</b> .....	<b>22</b>
CONTENU DU MANUEL ET BUT .....	22
COMMENT GARDER CE MANUEL .....	22
DÉCLARATION DE CONFORMITÉ.....	22
ACCESSOIRES ET ENTRETIEN .....	22
CHANGEMENT ET AMÉLIORATION .....	22
CHAMP D'APPLICATION .....	22
DONNÉES D'IDENTIFICATION DE LA MACHINE .....	22
TRANSPORT ET DÉBALLAGE .....	22
<b>SÉCURITÉ</b> .....	<b>23</b>
SYMBOLES QUI APPARAISSENT SUR LE MANUEL D'UTILISATION.....	23
CONSIGNES GÉNÉRALES DE SÉCURITÉ.....	23
<b>DESCRIPTION DE LA MACHINE</b> .....	<b>25</b>
STRUCTURE DE LA MACHINE .....	25
PANNEAU DE COMMANDE .....	26
INFORMATIONS D'AFFICHAGE ÉCRAN LED.....	26
FENÊTRE D'AFFICHAGE DU VOYANT DU CHARGEUR .....	26
PARAMÈTRES TECHNIQUES .....	27
SCHÉMA DU CIRCUIT .....	28
<b>GUIDE D'UTILISATION</b> .....	<b>30</b>
INSTALLATION ET CONFIGURATION D'UNE NOUVELLE BATTERIE.....	30
INSTALLATION DES BATTERIES ET RÉGLAGE DU TYPE DE BATTERIE (AVEC ENTRETIEN OU GEL/AGM) .....	30
FREINAGE D'URGENCE .....	31
INSTALLATION ET DÉINSTALLATION DE LA BROSSE / DU COUSSINET .....	31
AJUSTEMENT DE L'ÉQUILIBRE DE L'EMBOUCHURE .....	32
REMPLISSAGE DU RÉSERVOIR DE LA SOLUTION .....	32
DÉMARRAGE ET ARRÊT DE LA MACHINE .....	33
FONCTIONNEMENT DE LA MACHINE (BROSSAGE ET SÉCHAGE) .....	34
VIDANGE DU RÉSERVOIR .....	35
APRÈS UTILISATION DE LA MACHINE.....	35
LONGUE INACTIVITÉ DE LA MACHINE .....	35
UTILISATION POUR LA PREMIÈRE FOIS.....	36
<b>ENTRETIEN</b> .....	<b>36</b>
CALENDRIER D'ENTRETIEN PROGRAMME .....	36
CHARGEMENT DE BATTERIE .....	36
NETTOYAGE DE LA BROSSE/DU DISQUE .....	37
NETTOYAGE DU FILTRE DE SOLUTION .....	38
NETTOYAGE DE L'EMBOUCHURE.....	38
VÉRIFICATION ET REMPLACEMENT DE LA LAMELLE DE L'EMBOUCHURE .....	38
NETTOYAGE DU RÉSERVOIR ET DE LA GRILLE D'ASPIRATION AVEC LE FLOTTEUR, VÉRIFICATION DU JOINT DE COUVERCLE.....	39
VÉRIFICATION / REMPLACEMENT DU FUSIBLE .....	40
ACCESSOIRES/OPTIONS .....	40
<b>DÉPANNAGE</b> .....	<b>40</b>
<b>RECYCLAGE</b> .....	<b>42</b>

---

## INTRODUCTION



### REMARQUE

Les chiffres entre parenthèses renvoient aux éléments présentés dans le chapitre Description de la Machine.

## CONTENU DU MANUEL ET BUT

Le but de ce Mode d'Emploi est de fournir à l'opérateur des informations nécessaires afin d'utiliser correctement la machine et en toute sécurité. Il contient des informations sur des données techniques, la sécurité, l'exploitation, le stockage, la maintenance, les pièces de rechange et comment mettre au rebut.

Avant d'effectuer toute opération sur la machine, peu importe les opérateurs et les techniciens qualifiés doivent lire attentivement ce manuel. Contacter le centre d'entretien de notre société pour toute question concernant ce manuel ou pour toute information complémentaire qui est nécessaire.

Les opérateurs ne doivent pas effectuer de procédures qui devraient être faites par des techniciens qualifiés. Notre société ne sera pas responsable des dommages provenant du non-respect de cette interdiction.

## COMMENT GARDER CE MANUEL

Le manuel doit être conservé près de la machine, dans une enveloppe spéciale, loin de liquides et d'autres substances qui peuvent causer des dommages à celle-ci.

## DÉCLARATION DE CONFORMITÉ

La déclaration de conformité est fournie avec la machine et en atteste la conformité aux lois en vigueur.



### REMARQUE

Les copies de la déclaration originale de conformité sont fournies avec la documentation de la machine.

## ACCESSOIRES ET ENTRETIEN

Toutes les opérations d'entretien et de réparation doivent être effectuées par un personnel qualifié ou par un service de maintenance agréé. SEULS les pièces détachées et les accessoires autorisés doivent être utilisés.

Contactez notre service après-vente pour tout service ou achat d'accessoires ou pièces détachées si nécessaire.

## CHANGEMENT ET AMÉLIORATION

Nous nous sommes engagés à une amélioration continue de nos produits. Notre société se réserve le droit de modifier et d'améliorer la machine sans vous en informer.

## CHAMP D'APPLICATION

L'autolaveuse est à usage commercial et industriel. Elle est adaptée pour le nettoyage de sols lisses et durs. Pour plus de sécurité, elle doit être utilisée par un personnel qualifié. Elle ne convient pas pour une utilisation en extérieur ou pour le nettoyage de la moquette ou des sols rugueux.

## DONNÉES D'IDENTIFICATION DE LA MACHINE

Le numéro de série et le nom du modèle de la machine sont indiqués sur l'étiquette.

Ces informations sont importantes. Utiliser le tableau suivant pour noter les données d'identification de la machine, nécessaires lors de la commande de pièces de rechange.

MODÈLE DE LA MACHINE.....
NUMÉRO DE SÉRIE DE LA MACHINE.....

## TRANSPORT ET DÉBALLAGE

À la livraison s'assurer que l'emballage et la machine sont intacts et en bon état. En cas de dommage, porter à la connaissance du transporteur les dommages et avant d'accepter les marchandises, effectuer des réserves.

Suivre attentivement les instructions sur l'emballage, lors du déballage de la machine.

Vérifier l'emballage pour assurer que les éléments suivants sont inclus:

1. Documentations techniques, y compris manuel utilisateur et manuel du chargeur à bord s'il est équipé du chargeur à bord.
2. Câble du chargeur, s'il est équipé du chargeur à bord.

## SÉCURITÉ

Les symboles suivants indiquent les situations potentiellement dangereuses. Toujours lire attentivement ces informations et prendre toutes les précautions nécessaires pour protéger les personnes et les biens.

### SYMBOLES QUI APPARAISSENT SUR LE MANUEL D'UTILISATION



#### DANGER!

Cela indique une situation dangereuse avec risque de mort pour l'opérateur.



#### ATTENTION!

Cela indique un risque potentiel de blessure pour les personnes.



#### ATTENTION!

Cela indique un avertissement ou une remarque concernant des fonctions clés ou utiles. Prêter attention aux paragraphes marqués par ce symbole.



#### REMARQUE

Cela indique une remarque sur des fonctions clés ou utiles.



#### CONSULTATION

Cela indique la nécessité de se référer aux instructions d'utilisation avant toute manipulation.

### CONSIGNES GÉNÉRALES DE SÉCURITÉ

Les avertissements et les mises en garde spécifiques, pour informer des dommages potentiels aux personnes et à la machine, sont indiqués ci-dessous.



#### DANGER!

- Cette machine doit être utilisée par un personnel qualifié selon les conseils du manuel.
- Avant d'effectuer toute opération de nettoyage, d'entretien, de réparation ou de remplacement, lire attentivement toutes les instructions, s'assurer d'éteindre la machine et de débrancher le connecteur de la batterie.
- Ne pas faire fonctionner la machine à proximité de poudres, liquides ou vapeurs toxiques, dangereux, inflammables et/ou explosifs. Cette machine ne convient pas pour la collecte des poudres dangereuses.
- Ne pas porter de bijoux, lorsque vous travaillez à proximité de composants électriques.
- Ne pas travailler sous la machine soulevée, sans la maintenir avec des sangles de sécurité.
- Lors de l'utilisation de batteries au plomb (AVEC ENTRETIEN), elles peuvent émettre des gaz inflammables en utilisation normale, vous devez éloigner les étincelles, les flammes, les substances fumigènes et les éléments rayonnants, éclairants et brûlants des batteries.
- Quand vous chargez les batteries au plomb (AVEC ENTRETIEN), elles peuvent émettre de l'hydrogène gazeux ce qui peut provoquer des explosions. Assurez-vous que le local de charge soit bien aéré et éloigné des flammes nues.



#### ATTENTION!

- Inspecter attentivement la machine avant chaque utilisation. Veiller à ce que tous les composants aient été bien assemblés avant l'utilisation. À défaut cela peut causer des dommages aux personnes et aux biens.
- Avant d'utiliser le chargeur de batterie, veiller à ce que les valeurs de fréquence et de tension indiquées sur l'étiquette du numéro de série de la machine correspondent à celles du secteur.
- Ne jamais déplacer la machine en tirant sur le câble du chargeur de batterie. Ne pas faire passer le câble sous une porte fermée. Ne pas faire fonctionner la machine avec le câble du chargeur de batterie. Éloigner le câble du chargeur de batterie des surfaces chauffées.  
Ne pas charger les batteries si le câble de chargeur de batterie ou la fiche sont endommagés.
- Pour réduire le risque d'incendie, de choc électrique ou de blessure, s'assurer que la machine est éteinte avant de partir.
- Utiliser ou stocker la machine en intérieur dans des conditions sèches, il est interdit de l'utiliser en extérieur.
- La température de stockage et celle de travail doivent être comprise entre 0 ° C et +40 ° C, l'humidité de l'air doit être comprise entre 30% et 95%.
- Ne pas utiliser la machine sur des pentes avec une inclinaison dépassant ce qui est défini dans le cahier des charges.
- Lors de l'utilisation et de la manipulation de détergents de nettoyage de sols, suivre les instructions sur les étiquettes des bouteilles de détergent et porter des gants et des protections appropriées.
- Utiliser des brosses et des disques fournis avec la machine ou définis dans le manuel. L'utilisation d'autres brosses ou de disques pourrait nuire à la sécurité.
- En cas de dysfonctionnements de la machine, vérifier l'entretien de la machine. Si nécessaire, demander l'assistance du personnel autorisé ou d'un centre de maintenance agréé.
- Prendre toutes les précautions nécessaires pour empêcher les cheveux, les bijoux et les vêtements amples d'être retenus par des pièces en mouvement de la machine.
- Ne pas utiliser la machine dans des endroits particulièrement poussiéreux.  
Ne pas laver la machine avec des jets d'eau directs ou sous pression, ou avec des substances corrosives.
- Ne pas heurter des étagères ou des échafaudages, en particulier là où un risque de chute d'objets existe.
- Ne pas incliner de récipients de liquide sur la machine, utiliser le porte gobelet.
- Pour éviter d'endommager le sol, ne pas laisser la brosse/le disque fonctionner alors que la machine est à l'arrêt.
- En cas d'incendie, utiliser un extincteur à poudre. Ne pas utiliser les extincteurs liquides.
- Ne pas enlever ou modifier les autocollants de la machine.
- Suivre scrupuleusement les instructions d'entretien journalier.
- Faire attention lors du transport de la machine, lorsque la température est basse. L'eau, dans le réservoir de récupération et dans les tuyaux, pourrait geler et causer de sérieux dommages à la machine.
- Si les pièces détachées doivent être remplacées, commander les pièces détachées D'ORIGINE auprès de détaillants agréés.
- Retourner la machine au centre d'entretien, si elle ne fonctionne pas comme d'habitude ou si elle est endommagée.
- Pour assurer un fonctionnement adéquat et sécurisé de la machine, l'entretien prévu indiqué dans le chapitre de ce manuel, doit être effectué par le personnel autorisé ou un centre d'entretien autorisé.
- La machine doit être correctement recyclée, en raison de la présence de matières toxiques (batteries, etc.), qui sont soumises à des normes qui exigent l'élimination dans des centres spéciaux (voir le chapitre Recyclage).
- Cette machine est un outil de nettoyage, et ne doit pas être utilisée pour toute autre utilisation.
- Toujours garder les ouvertures exemptes de poussière, de poils et de tout autre corps étranger qui pourrait réduire le flux d'air. Ne pas utiliser la machine si les ouvertures sont bouchées.
- Utiliser uniquement la machine lorsqu'un éclairage adéquat est fourni.
- Cette machine n'est pas conçue pour être utilisée par des personnes physiquement ou intellectuellement déficientes ou sans expérience ni connaissances, à moins qu'elles ne soient sous surveillance ou bien qu'elles n'aient été informées quant à l'utilisation de l'appareil de manière sécurisée, par une personne responsable de leur sécurité.
- Une attention particulière est nécessaire lorsqu'elle est utilisée à proximité des enfants.
- Les enfants doivent rester sous surveillance afin de s'assurer qu'ils ne jouent pas avec la machine.
- Tout en utilisant cette machine, prendre soin de ne pas causer de dommages aux personnes ou aux objets se trouvant aux alentours.

## DESCRIPTION DE LA MACHINE

### STRUCTURE DE LA MACHINE (comme représenté sur la Figure 1)

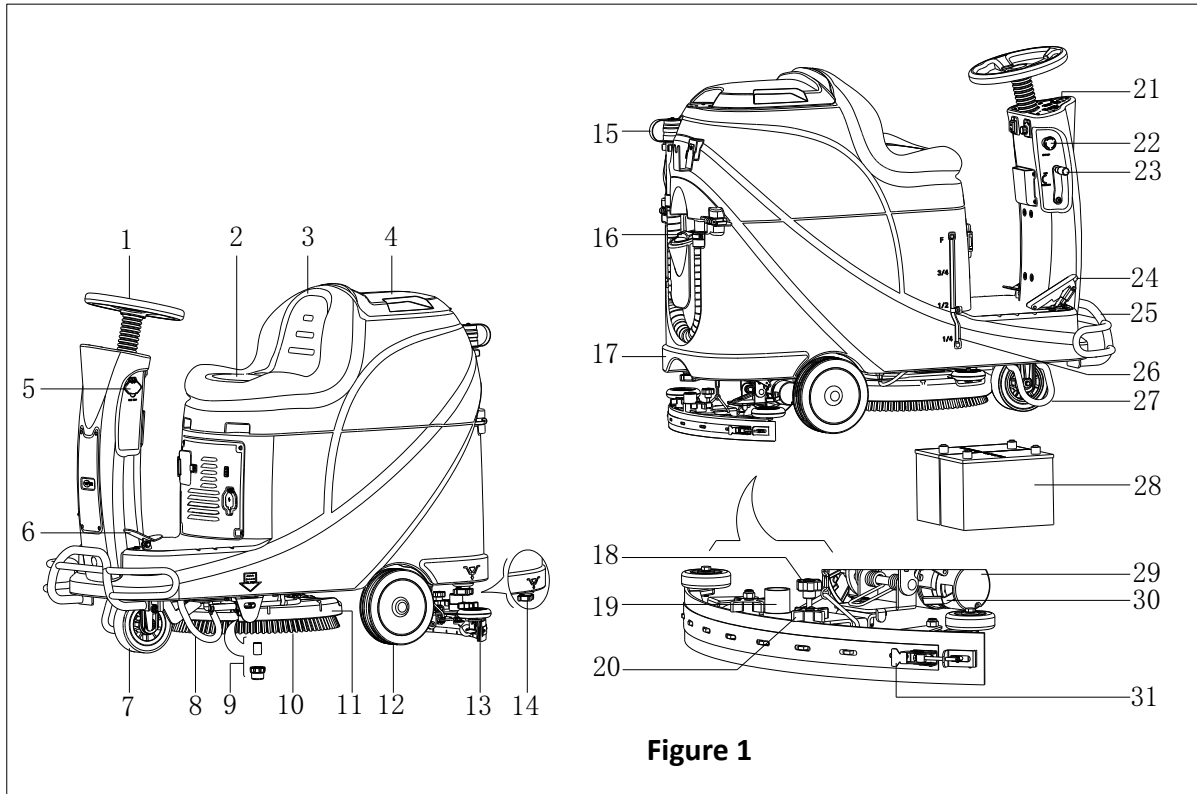


Figure 1

- |  |   |
|--|---|
| 1. Volant                                  | 17. Réservoir de solution                         |
| 2. Siège                                   | 18. Molette de réglage de la raclette             |
| 3. Réservoir de récupération               | 19. Embout d'aspiration                           |
| 4. Couverture du réservoir de récupération | 20. Visserie pour la raclette                     |
| 5. Port USB de charge                      | 21. Panneau de contrôle                           |
| 6. Pédale                                  | 22. Interrupteur d'urgence                        |
| 7. Roue avant                              | 23. Levier de levage / de descente de la raclette |
| 8. Protection gauche                       | 24. Pédale d'accélération                         |
| 9. Filtre de solution                      | 25. Parechoc avant                                |
| 10. Brosse                                 | 26. Indicateur de niveau de solution              |
| 11. Carter de brosse                       | 27. Protection droite                             |
| 12. Roue arrière                           | 28. Batterie                                      |
| 13. Ensemble de raclette                   | 29. Moteur d'entraînement                         |
| 14. Bouchon de vidange de solution         | 30. Support du bloc de frein                      |
| 15. Tuyau de vidange des égouts            | 31. Attache rapide de la lame de raclette         |
| 16. Bouchon pour remplissage               |   |

## DESCRIPTION DE LA MACHINE

### PANNEAU DE COMMANDE (comme représenté sur la Figure 2)

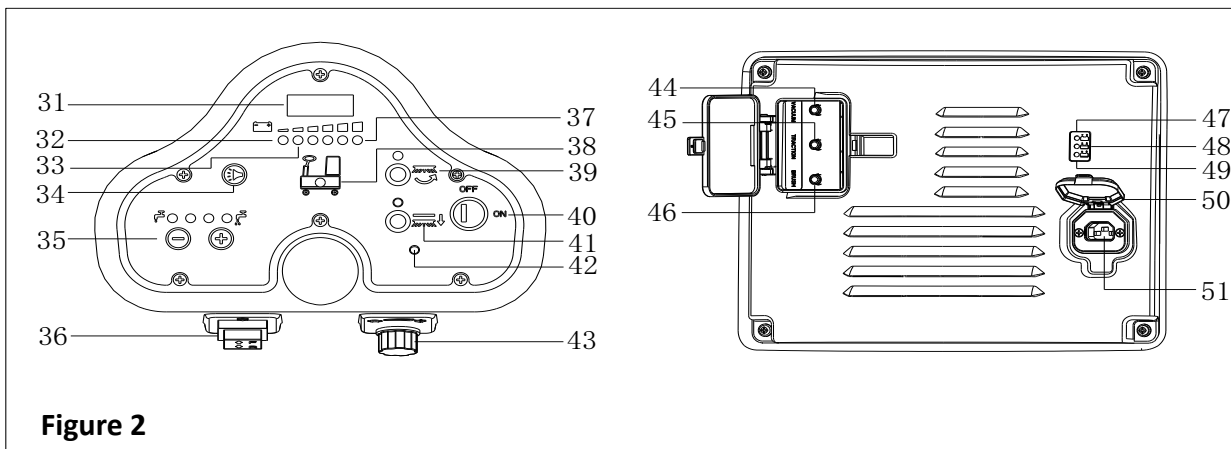


Figure 2

- |  |   |
|--|---|
| 31. Écran LED  | 42. Voyant d'indication problème de traction                |
| 32. Voyant d'avertissement de batterie déchargée (rouge) | 43. Bouton de réglage de la vitesse                         |
| 33. Voyant de batterie semi-déchargée (jaune)            | 44. Protecteur contre la surcharge du moteur d'aspiration   |
| 34. Bouton du klaxon                                     | 45. Protecteur contre la surcharge du moteur d'entraînement |
| 35. Bouton de réglage du volume de solution              | 46. Protecteur contre la surcharge du moteur de la brosse   |
| 36. Interrupteur avant-arrière                           | 47. Voyant de charge de la batterie (rouge)                 |
| 37. Voyant de batterie complètement chargée (vert)       | 48. Voyant de batterie semi-chargée (jaune)                 |
| 38. Voyant de réservoir de solution vide                 | 49. Voyant de batterie complètement chargée (vert)          |
| 39. Bouton de la brosse                                  | 50. Couverture de la fiche du chargeur                      |
| 40. Clé de contact                                       | 51. Fiche du chargeur                                       |
| 41. Bouton de désinstallation de brosse                  |   |

### INFORMATIONS D'AFFICHAGE ÉCRAN LED

STOP– La machine ne peut pas se déplacer, la brosse cesse de fonctionner mais le moteur d'aspiration peut fonctionner

(00012.3) – Le nombre total d'heures de fonctionnement de la machine est de 12,3 heures

L0-(18) – Tension de la batterie inférieure à 18V

U-(25.5) – Tension de la batterie est 25,5V

ERR-01 – - La raclette n'est pas soulevée lorsque la machine recule.

### FENÊTRE D'AFFICHAGE DU VOYANT DU CHARGEUR (comme représenté sur la Figure 2)

1. Au début de la charge, le voyant LED jaune (48) scintille, le voyant LED rouge (47) et le voyant LED vert (49) s'allument pour une seconde, le voyant LED rouge s'éteint et puis le voyant LED vert scintille quelques fois avant que le voyant LED rouge sur le chargeur est normal. C'est la première étape de charge.
2. Après la charge pendant un certain temps, le voyant LED rouge (47) sur le chargeur s'éteint, le voyant LED jaune (48) s'allume, c'est la deuxième étape de charge.
3. Lorsque la charge est complète, le voyant LED jaune (48) s'éteint, le voyant LED vert (49) s'allume pour indiquer que la batterie est complètement chargée.



#### REMARQUE

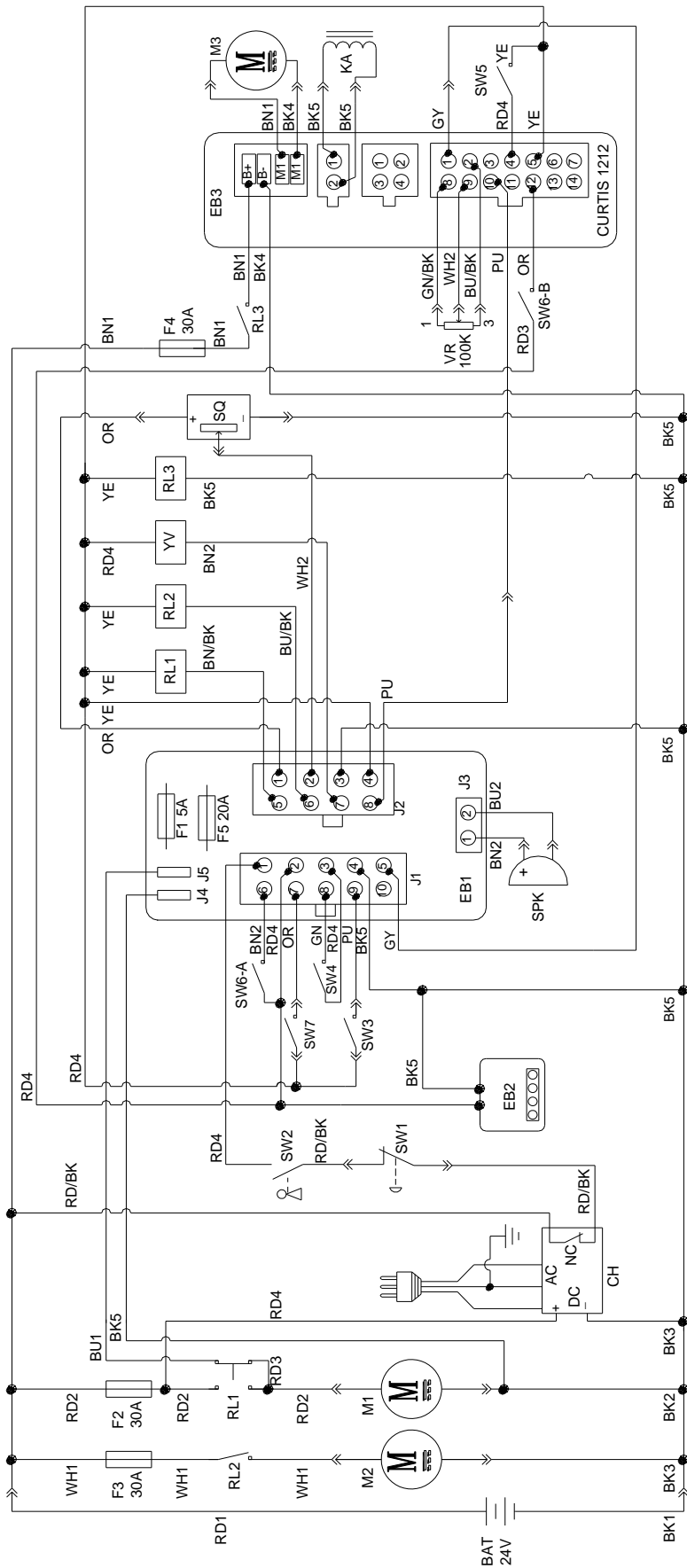
Dans le processus de charge, si le voyant jaune (48) est allumé, il peut être causé par : la batterie et le chargeur ne correspondent pas, la batterie est mal connectée ou la sortie est court-circuitée.

Le clignotement du voyant rouge du chargeur peut être causé par le court-circuit interne du chargeur.

## PARAMÈTRES TECHNIQUES

MODÈLE	AS530R	
Dimensions de l'emballage (L x l x H)	mm	1470*730*1310
Hauteur de la machine	mm	1120
Longueur de la machine	mm	1360
Largeur de la machine (sans raclette)	mm	580
Poids de la machine avec réservoirs vides (sans batteries)	Kg	140
Poids total en charge (GVW)	Kg	270
Poids machine emballée	Kg	245
Capacité de réservoir de la solution	Litre	72
Capacité de réservoir de récupération	Litre	73
Puissance du moteur d'aspiration	Watt	400
Colonne d'aspiration	mm H <sub>2</sub> O	1223
Pente admissible (Max)	%	10
Diamètre roues avant	mm	φ175
Diamètre roue arrière	mm	φ230
Niveau sonore	dB(A)	69
Débit d'eau	L/min	0,84-2,0
Largeur de travail	mm	530
Largeur de l'embouchure	mm	730
Diamètre de la brosse/du disque	mm	530
Puissance du moteur de brosse	Watt	450
Vitesse de la brosse	Tr/min	160
Pression de la brosse/du disque (Max)	Kg	25
Puissance du moteur d'entraînement	Watt	300W
Vitesse de travail	Km/h	5,5km/h
Tension	V	24V
Batterie	Ah	2x100AH (20 heures)
Chargeur de batterie	V/A	24V 10A
Dimensions de l'emballage (L x l x H)	mm	350*380*300
Spécification du chargeur USB	V/A	5V, 0,8A

SCHEMA DU CIRCUIT



WIRE ROD		WIRE ROD	
RD1	RED/6AWG	BN/BK	BROWN/BLACK / 20AWG
RD2	RED/10AWG	BU1	BLUE/18AWG
RD3	RED/18AWG	BU2	BLUE/20AWG
RD4	RED/20AWG	BU/BK	BLUE/BLACK / 20AWG
RD/BK	RED/BLACK / 20AWG	GN	GREEN/20AWG
BK1	BLACK/6AWG	GN/BK	GREEN/BLACK / 20AWG
BK2	BLACK/10AWG	GY	GRAY/20AWG
BK3	BLACK/12AWG	PU	PURPLE/20AWG
BK4	BLACK/14AWG	OR	ORANGE/20AWG
BK5	BLACK/18AWG	YE	YELLOW/20AWG
BN1	BROWN/14AWG	WH1	WHITE/12AWG
BN2	BROWN/20AWG	WH2	WHITE/20AWG

COMPONENTS		COMPONENTS	
BAT	24V BATTERIES	M1	BRUSH MOTOR
CH	BATTERY CHARGER	M2	VACUUM MOTOR
EB1	CONTROL PANEL BOARD	M3	DRIVE MOTOR
EB2	USB CHARGING ELECTRONIC BOARD	SW1	EMERGENCY-STOP SWITCH
EB3	DRIVE ELECTRONIC BOARD	SW2	KEY SWITCH
RL1	BRUSH MOEOR ELECTROM SWITCH	SW3	CLEAN WATER LEVEL SWITCH
RL2	VACUUM MOEOR ELECTROM SWITCH	SW4	VACUUM MOTOR SWITCH
RL3	DRIVE SYSTEM ELECTROM SWITCH	SW5	OPTIONAL MODE SWITCH
YV	WATER ELECTROVALVE	SW6-A	OPTIONAL REVERSE SWITCH
F1	CONTROL PANEL BOARD FUSE	SW6-B	OPTIONAL REVERSE SWITCH
F2	BRUSH MOTOR CIRCUIT BREAKER	SW7	SEAT SWITCH
F3	VACUUM MOTOR CIRCUIT BREAKER	SQ	FOOT THROTTLE
F4	DRIVE SYSTEM CIRCUIT BREAKER	SPK	12VDC BUZZER
F5	BRUSH RELEASE FUSE	VR	SPEED POTENTIOMETER
KA	BRAKE		



COMPOSANTS		COMPOSANTS	
BAT	BATTERIES 24V	M1	MOTEUR DE LA BROUSSE
CH	CHARGEUR DE BATTERIE	M2	MOTEUR D'ASPIRATION
EB1	PANNEAU DE CONTRÔLE	M3	MOTEUR D'ENTRAÎNEMENT
EB2	CARTE ELECTRONIQUE DU CHARGEUR USB	SW1	INTERRUPTEUR D'ARRÊT D'URGENCE
EB3	CARTE ELECTRONIQUE DU MOTEUR	SW2	CLÉ DE CONTACT
RL1	INTERRUPTEUR ELECTRONIQUE DU MOTEUR DE LA BROUSSE	SW3	INTERRUPTEUR DE NIVEAU D'EAU PROPRE
RL2	INTERRUPTEUR ELECTRONIQUE DU MOTEUR D'ASPIRATION	SW4	INTERRUPTEUR DU MOTEUR D'ASPIRATION
RL3	INTERRUPTEUR ELECTRONIQUE DU SYSTÈME D'ENTRAÎNEMENT	SW5	INTERRUPTEUR OPTIONNEL DE MODE
YV	ÉLECTROVANNE D'EAU	SW6-A	INTERRUPTEUR OPTIONNEL D'ARRIÈRE
F1	FUSIBLE DU PANNEAU DE CONTRÔLE	SW6-B	INTERRUPTEUR OPTIONNEL D'ARRIÈRE
F2	DISJONCTEUR DU MOTEUR DE LA BROUSSE	SW7	INTERRUPTEUR DU SIÈGE
F3	DISJONCTEUR DU MOTEUR D'ASPIRATION	SQ	ACCÉLÉRATEUR A PÉDALE
F4	DISJONCTEUR DU SYSTÈME D'ENTRAÎNEMENT	SPK	AVERTISSEUR DE 12VDC
F5	FUSIBLE DE SORTIE DE LA BROUSSE	VR	POTENTIOMÈTRE DE VITESSE
KA	FREIN		

FIL MACHINE		FIL MACHINE	
RD1	ROUGE/6AWG	BN/BK	MARRON/NOIR/20AWG
RD2	ROUGE/10AWG	BU1	BLEU/18AWG
RD3	ROUGE/18AWG	BU2	BLEU/20AWG
RD4	ROUGE/20AWG	BU/BK	BLEU/NOIR/20 AWG
RD/BK	ROUGE/NOIR/20AWG	GN	VERT/20AWG
BK1	NOIR/6AWG	GN/BK	VERT/NOIR/20AWG
BK2	NOIR/10AWG	GY	GRIS/20AWG
BK3	NOIR/12AWG	PU	VIOLET/20AWG
BK4	NOIR/14AWG	OR	ORANGE/20AWG
BK5	NOIR/18AWG	YE	JAUNE/20AWG
BN1	MARRON/14AWG	WH1	BLANC/12 AWG
BN2	MARRON/20AWG	WH2	BLANC/20AWG

## GUIDE D'UTILISATION



### ATTENTION!

Accorder une grande attention à ces symboles dans ce manuel:

- DANGER!
- ATTENTION!
- MISE EN GARDE!
- CONSULTATION

Ne jamais couvrir ces symboles sur la machine pour une raison quelconque, la remplacer immédiatement en cas de dommage.

## INSTALLATION ET CONFIGURATION D'UNE NOUVELLE BATTERIE



### ATTENTION!

Les composants électriques de la machine peuvent être sérieusement endommagés si les batteries sont soit mal installées ou mal connectées.

Les batteries doivent être installées par un personnel qualifié. Régler le chargeur de batterie (optionnel) et PCBA de la machine selon le type de batterie (AVEC ENTRETIEN ou GEL/AGM).

Vérifier si les batteries sont endommagées, avant de les installer.

Déconnecter le connecteur de la batterie et la fiche du chargeur de batterie.

Manipuler les batteries avec beaucoup d'attention.



### REMARQUE

La machine nécessite deux batteries de 12V, connectées selon la Figure 3.

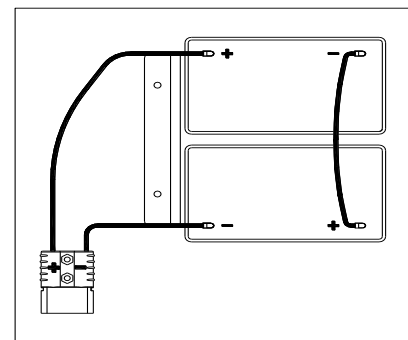


Figure 3

La machine peut fonctionner dans l'un des modes de batterie suivants:

### A) Les batteries AVEC ENTRETIEN ou GEL/AGM sont déjà installées et prêtes à être utilisées

1. Vérifier les batteries et connecter le connecteur de la batterie à la machine.
2. Insérer la clé de contact (40) et tourner vers « marche ». Si le voyant vert (48) s'allume, les batteries sont complètement chargées pour utilisation ; si le voyant jaune ou rouge (47 ou 48) s'allume, les batteries doivent être mises en charge.

### B) Sans batteries

1. Si votre machine n'est pas équipée des batteries, achetez des batteries appropriées [Voir le paragraphe sur Paramètres techniques]. Pour le choix et l'installation concernant la batterie, contacter les détaillants de batteries qualifiés.
2. Lorsque les batteries sont prêtes, régler la machine et le chargeur de batterie selon le type de batteries installées, puis suivre les procédures indiquées dans le paragraphe suivant.

## INSTALLATION DES BATTERIES ET RÉGLAGE DU TYPE DE BATTERIE (AVEC ENTRETIEN OU GEL/AGM)

Régler la carte électronique de la machine et le chargeur de batterie selon le type des batteries (AVEC ENTRETIEN ou GEL/AGM) en suivant les étapes ci-dessous:






### REMARQUE

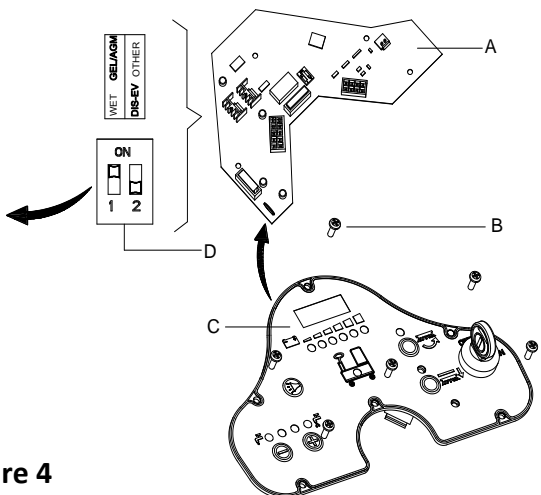
Lors de l'installation de nouvelles batteries, suivre la Figure 4 pour régler l'interrupteur DIP, sinon les batteries peuvent être endommagées à cause d'un mauvais réglage.

### Réglage de la machine

1. Insérer la clé de contact (40) et tourner vers « marche », faire attention aux points ci-dessous pendant les premières secondes de démarrage de la machine:
  - Si le voyant vert (37) clignote, la machine est configurée pour utiliser des batteries GEL/AGM.
  - Si le voyant jaune (33) clignote, la machine est configurée pour utiliser des batteries AGM EV Discover.
  - Si le voyant rouge (32) clignote, la machine est configurée pour utiliser des batteries AVEC ENTRETIEN.
2. Suivre les étapes ci-dessous pour modifier les réglages de la machine.

3. Le réglage usine de la machine est d'utiliser des batteries AGM EV Discover. Si le réglage correspond aux batteries sélectionnées, passer directement à l'étape 6, ou suivre l'étape suivante.
4. Dévisser la vis (B, Figure 4) sur le panneau de contrôle, puis tourner le PCBA (A) sur le panneau pour trouver l'interrupteur DIP (D), suivre la Figure 4 pour les réglages DIP.
5. Effectuer les étapes dans l'ordre inverse du démontage pour fixer le panneau de contrôle et pour verrouiller la vis après la terminaison du réglage.

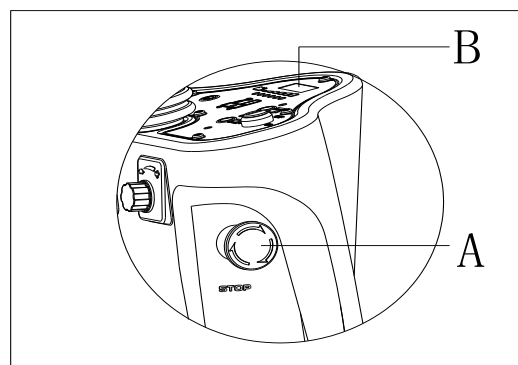
<b>1</b>		<b>BATTERIES AVEC ENTRETIEN</b> (REMARQUE : Tourner la broche 1 et la broche 2 de l'interrupteur DIP vers « arrêt »)
<b>2</b>		<b>BATTERIES AGM EV DISCOVER</b> (REMARQUE : Tourner la broche 1 de l'interrupteur DIP vers « marche », la broche 2 vers « arrêt »)
<b>3</b>		<b>BATTERIES GÉNÉRALES GEL/AFM</b> (REMARQUE : Tourner la broche 1 et la broche 2 de l'interrupteur DIP vers « marche »)



**Figure 4**

**Installation de la batterie**

6. Ouvrir le couvercle du réservoir de récupération (4) et vérifier si le réservoir de récupération (3) est vide; sinon, le vider avec le tuyau de vidange (15).
7. Fermer le couvercle du réservoir de récupération (4).
8. Basculer le réservoir de récupération (3) avec précaution.
9. La machine est livrée avec des câbles appropriés pour installer les batteries de 2x12V. Mettre soigneusement les batteries dans le compartiment, puis les installer correctement.
10. Installer le câble de la batterie comme indiqué dans (Figure 3), puis serrer soigneusement l'écrou sur chaque borne de la batterie.
11. Placer le capot de protection sur chaque borne, puis connecter le connecteur de la batterie.
12. Abaisser avec précaution le réservoir de récupération (3).



**Figure 5**

**Charge des batteries**

13. Charge des batteries. [Se référer au chapitre ENTRETIEN].

**FREINAGE D'URGENCE**

En cas d'urgence au cours du fonctionnement de la machine, appuyer sur l'interrupteur d'urgence (A, Figure 5) et toutes les fonctions de la machine cessent, il n'y a pas d'affichage sur le panneau de contrôle (B, Figure 5).

**INSTALLATION ET DÉINSTALLATION DE LA BROSSE / DU COUSSINET**



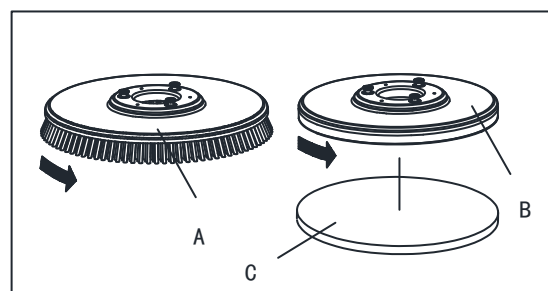
**REMARQUE**

Installer une brosse appropriée (A, Figure 6) ou un coussinet (B et C, Figure 6) selon le type de sol à nettoyer.



**ATTENTION**

Avant l'installation ou la désinstallation de la brosse ou du coussinet, s'assurer que tous les interrupteurs de la machine sont en position d'arrêt et la raclette est soulevée du sol. L'opérateur doit être doté de dispositifs de protection personnels appropriés tels que des gants, afin de réduire le risque d'accidents. Procéder comme suit:



**Figure 6**

1. Insérer la clé de contact (40) et tourner vers « marche ».
2. Appuyer sur la pédale (6) vers l'avant au pied pour soulever l'ensemble de brosse (11) du sol.
3. Tourner le bouton de réglage de la vitesse (42) dans le sens inverse des aiguilles d'une montre jusqu'au bout.
4. Placer la brosse (A, Figure 5) ou le plateau porte disque (B, Figure 5) pour s'aligner avec l'enclencheur de brosse.
5. Appuyer sur la pédale (6) vers l'arrière au pied pour abaisser l'ensemble de brosse (11). S'asseoir sur le siège, appuyer sur le bouton de la brosse (39) et appuyer légèrement sur la pédale (23), la brosse / le coussinet peut être assemblé automatiquement. Répéter ces étapes jusqu'à ce que la brosse / le coussinet soit installé.
6. Si l'étape 5 de l'installation de la brosse échoue, veuillez installer la brosse et le plateau porte disque manuellement.
7. Appuyer sur la pédale (6) vers l'avant au pied pour soulever l'ensemble de brosse (11) du sol, appuyer sur le bouton d'enlèvement de la brosse (41) pour la désinstaller automatiquement.



**ATTENTION !**

Tourner le bouton de réglage de la vitesse (42) à la vitesse minimale avant d'appuyer sur la pédale d'accélération (6) afin d'éviter le démarrage trop rapidement de la machine quand elle est démarrée. S'assurer que la brosse / le coussinet est installé correctement avant de faire fonctionner la machine.

**AJUSTEMENT DE L'ÉQUILIBRE DE L'EMBOUCHURE**

1. Installer la raclette (13) et fixer le bouton pour la raclette (20), puis raccorder le tuyau d'aspiration (19) à la raclette.
2. Régler l'embouchure par la poignée de réglage (A, Figure 7).
  - a) S'il y a un écart entre le sol et la partie centrale de la lamelle arrière de l'embouchure (B), régler le bouton (A) dans le sens contraire des aiguilles d'une montre (F) jusqu'à ce que toute la partie de lamelle arrière de l'embouchure ait un excellent contact avec le sol, la lamelle avant touchant légèrement le sol.
  - b) S'il y a un écart entre le sol et les deux extrémités de la lamelle arrière (C et D), régler le bouton (A) dans le sens des aiguilles d'une montre (E) jusqu'à ce que toute la partie de lamelle arrière ait un excellent contact avec le sol, la lamelle avant touchant légèrement le sol.

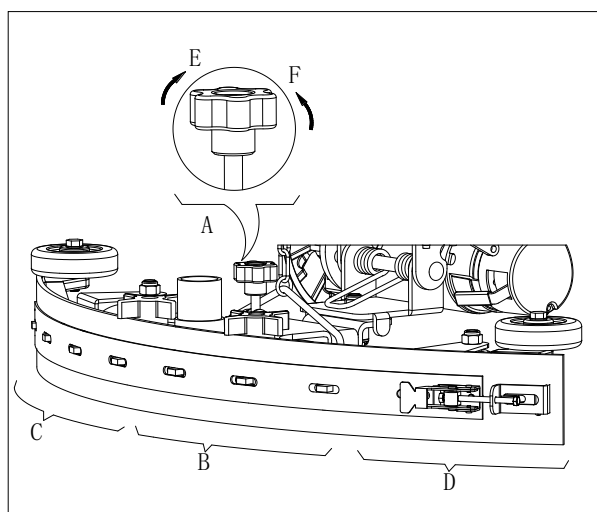


Figure 7

**REMPLISSAGE DU RÉSERVOIR DE LA SOLUTION**

1. Ouvrir le couvercle d'entrée d'eau (E, Figure 8).
2. Remplir d'eau claire ou de solution en fonction du type d'applications souhaitées. La température de la solution ne doit pas dépasser (+40 °C).
3. Ne pas trop remplir le réservoir, se reporter à l'indicateur de niveau d'eau (G) pour le volume d'eau.



**AVERTISSEMENT!**

Utiliser uniquement des détergents peu moussants et non-inflammables, qui sont destinés à des applications de nettoyage en autolaveuse.

**Inspection du moteur d'entraînement**

1. Tourner la clé de contact (A, Figure 9) vers « marche »
2. Appuyer légèrement sur la pédale d'accélération (24) puis arrêter afin de vérifier si la machine peut être dirigée vers l'avant et arrêtée.
3. Pour assurer la sécurité, confirmer si la machine peut être arrêtée immédiatement en appuyant sur le bouton d'urgence (B). Tourner le bouton d'urgence pour le réinitialiser.



**ATTENTION**

La capacité en pente de la machine ne doit pas dépasser 10 %.



**ATTENTION**

Le frein du moteur d'entraînement est débloqué lorsque le moteur fonctionne normalement, il se verrouille lorsque le moteur s'arrête.

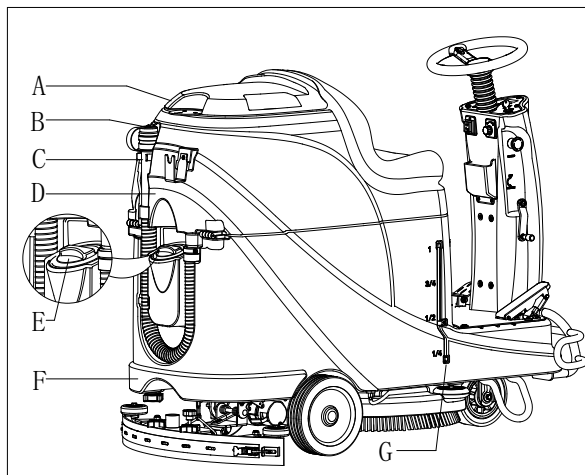


Figure 8

- Frein débloqué-la poignée de frein (D, Figure 9) se trouve au-dessus.
- Frein verrouillé-la poignée de frein se trouve en dessous.  
Dans certains cas particuliers, tels que l'emballage / le déballage de la machine, la défaillance de la machine, etc., on doit déplacer la machine sans que le moteur d'entraînement fonctionne, veuillez régler manuellement le frein à l'état débloqué pour la déplacer.  
Pour éviter tout risque de sécurité, s'assurer de mettre le frein à l'état verrouillé après le déplacement de la machine.

## DÉMARRAGE ET ARRÊT DE LA MACHINE

### Démarrage de la machine

1. Préparer la machine comme indiqué au paragraphe précédent.
2. S'asseoir sur le siège (L, Figure 10), insérer la clé de contact (A) et la tourner vers « marche ». Si le voyant vert (C) est allumé, les batteries sont complètement chargées pour utilisation. Si le voyant jaune (E) ou le voyant rouge (D) est allumé, les batteries doivent être chargées avant de faire fonctionner la machine. [Se référer au chapitre ENTRETIEN pour la charge des batteries].
3. Abaisser l'ensemble de raclette au sol.

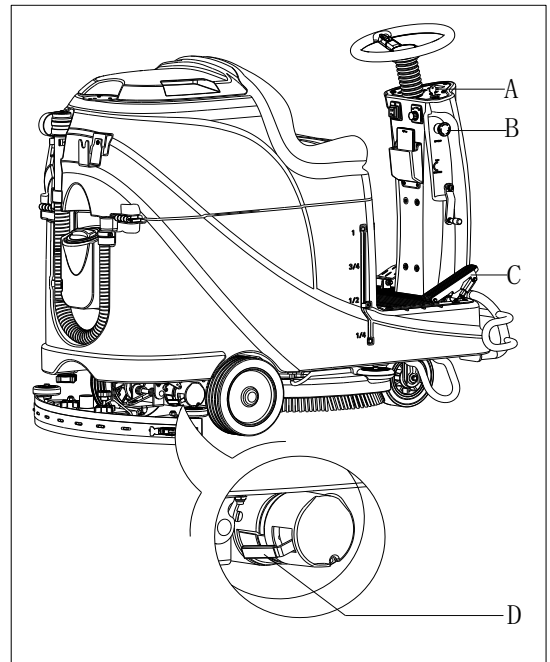


Figure 9



#### REMARQUE

S'assurer que l'ensemble de raclette est soulevé avant que la machine dirige vers l'arrière, sinon la machine sera arrêtée et l'écran LED affiche « Erreur ».

4. Abaisser l'ensemble de brosse au sol.



#### REMARQUE

S'assurer de désactiver le bouton de la brosse avant de soulever l'ensemble de brosse et soulever l'ensemble de brosse avant que la machine dirige vers l'avant / l'arrière.

5. Appuyer sur le bouton de la brosse (B)
6. Appuyer sur la pédale d'accélération (R), faire fonctionner la machine vers l'avant ou vers l'arrière par le volant (N) avec l'interrupteur avant-arrière (H), vous pouvez régler la vitesse par le bouton de réglage de la vitesse (I).
7. Régler le débit de solution par le bouton de réglage de la solution (G) selon les besoins de nettoyage.
8. Vous pouvez recharger votre téléphone ou tablette par le port de charge USB (M) lorsque la clé de contact (A) est tournée vers « marche ».
9. Appuyer sur le bouton du klaxon (F) pour avertir les gens en cas de besoin.
10. Si nécessaire, appuyer sur le bouton d'urgence pour l'arrêt d'urgence de la machine.

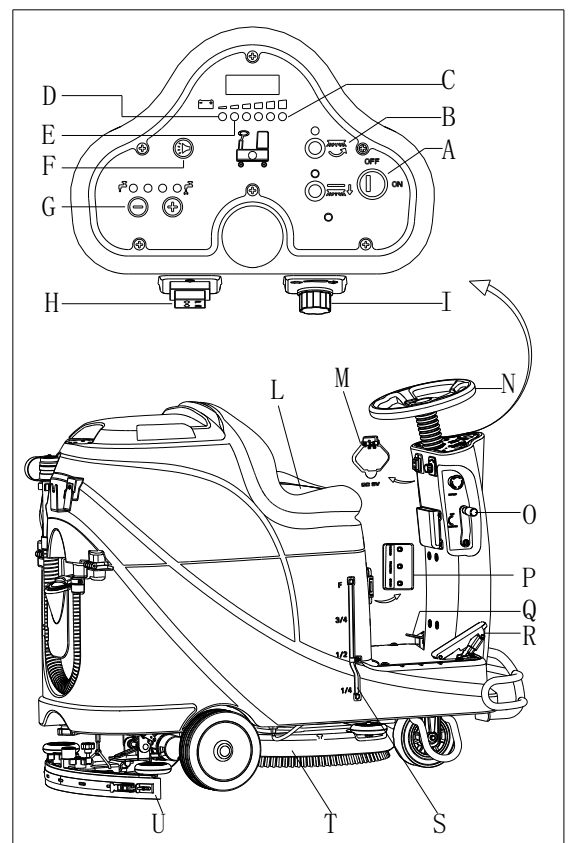


Figure 10



#### REMARQUE

Le moteur de la brosse, le moteur d'aspiration, le moteur d'entraînement et le circuit de contrôle sont protégés par le protecteur contre la surcharge (P). Lorsque le protecteur contre la surcharge se déclenche, ne pas le réinitialiser immédiatement sans trouver la cause principale et s'assurer que le moteur se refroidit avant la réinitialisation.

### Arrêt de la machine

11. Desserrer la pédale d'accélération (R, Figure 10), la machine cesse de fonctionner.
12. Appuyer sur le bouton de la brosse (B) pour arrêter le moteur de la brosse.

13. Soulever l'ensemble de brosse (T) en appuyant sur la pédale (Q).
14. Soulever l'ensemble de raclette (U) par le levier de levage / de descente de la raclette (O) et quelques secondes plus tard le système d'aspiration s'arrête.
15. Tourner la clé de contact vers « arrêt »
16. S'assurer que la machine est arrêtée.

## FONCTIONNEMENT DE LA MACHINE (BROSSAGE ET SÉCHAGE)

1. Démarrer la machine selon les procédures prévues aux paragraphes précédents.
2. Commencer le nettoyage en suivant les procédures dans la section « Démarrage de la machine ».
3. Si nécessaire, arrêter la machine pour régler la raclette selon la section « Ajustement de l'équilibre de l'embouchure ».



### ATTENTION !

Pour éviter tout dommage à la surface du sol, arrêter la brosse / le support de disque lorsque la machine s'arrête en un seul endroit.



### REMARQUE

Pour un brossage / séchage correct du sol aux côtés des murs, nous suggérons d'aller près des murs avec le côté droit (côté de la roue parechoc) de la machine, comme indiqué ci-dessous dans la Figure 11.

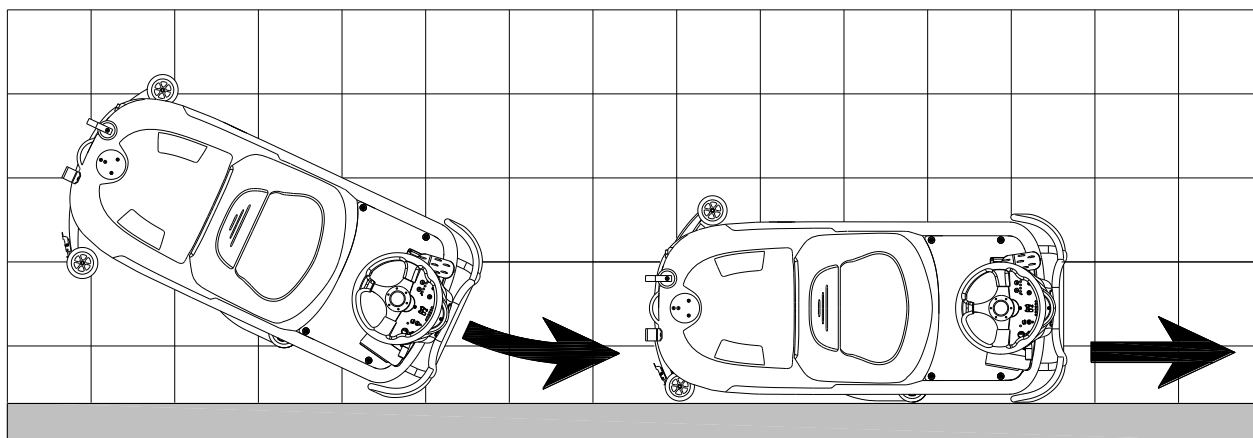


Figure 11

## Charge de la batterie pendant le travail

Quand le voyant vert (A, Figure 12) est allumé, les batteries ont assez de puissance pour que la machine fonctionne normalement ; quand tous les voyants verts s'éteignent, le voyant jaune (C, Figure 12) est allumé, la puissance des batteries est trop faible, veuillez charger les batteries ; quand le voyant rouge (B, Figure 12) clignote, les batteries sont épuisées, le moteur d'aspiration et le moteur de la brosse s'arrêtent automatiquement dans un délai de quelques secondes, veuillez conduire immédiatement la machine pour le chargement des batteries.

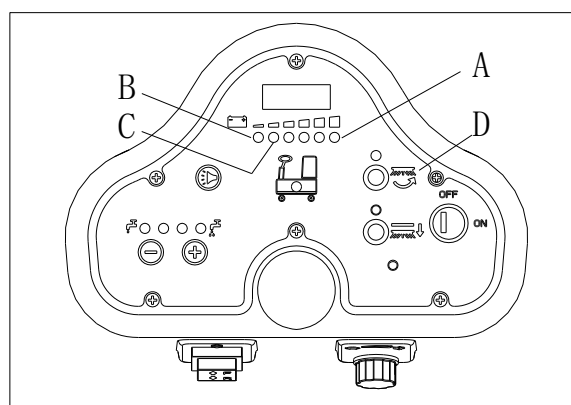


Figure 12



### ATTENTION!

Pour éviter d'endommager les batteries et de raccourcir leur durée de vie, ne pas utiliser la machine une fois que les batteries sont déchargées.

## VIDANGE DU RÉSERVOIR

Un système automatique de fermeture à flotteur (B, Figure 13) bloque le système d'aspiration lorsque le réservoir d'eau de récupération (C) est plein. La désactivation du système d'aspiration est indiquée par une augmentation soudaine du bruit du moteur d'aspiration, le sol aussi n'est pas sec.



### MISE EN GARDE!

Si le système d'aspiration s'éteint accidentellement (par exemple, lorsque le flotteur est activé en raison d'un mouvement soudain de la machine), pour reprendre l'opération: désactiver le système d'aspiration en appuyant sur le commutateur (D, Figure 12), puis retirer le couvercle (A, Figure 11) et vérifier que le flotteur à l'intérieur de la grille (B) a baissé jusqu'au niveau de l'eau. Ensuite, remettre le couvercle (A) et mettre le système d'aspiration en appuyant sur le commutateur (D, Figure 12).

Lorsque le réservoir d'eau de récupération (C, Figure 13) est plein, le vider selon la procédure suivante.

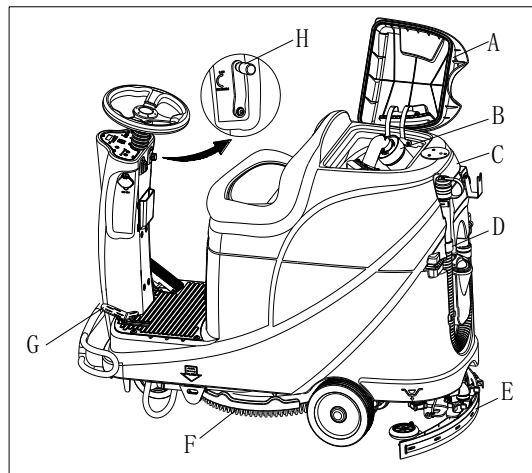


Figure 13

### Vider le réservoir d'eau sale

1. Arrêter la machine.
2. Soulever la plate-forme de la brosse/du plateau support disque (H, Figure 12) en appuyant sur la pédale (G).
3. Soulever l'embouchure avec le levier (H).
4. Conduire la machine jusqu'à la zone de vidange désignée.
5. Vider le réservoir d'eau de récupération avec le tuyau (D). Ensuite, rincer le réservoir avec de l'eau propre.



### ATTENTION!

Lors de la vidange de l'eau usée, le tuyau de vidange doit être plié (A, Figure 14) et mis à une position basse (B, Figure 14) avant d'ouvrir le couvercle du tuyau de vidange. Ne pas orienter la sortie du tuyau de vidange vers le haut pour drainer l'eau verticalement afin d'éviter le déversement de l'eau usée sur l'opérateur.

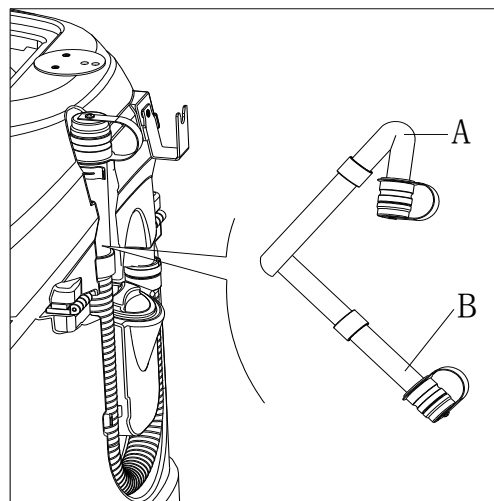


Figure 14

### Vidange du réservoir d'eau propre / de solution

6. Effectuer les étapes de 1 à 4 dans le chapitre « Vidange du réservoir d'eau de récupération ».
7. Vider le réservoir de solution par le bouchon de vidange (A, Figure 15). Et puis, rincer le réservoir avec de l'eau propre.

## APRÈS UTILISATION DE LA MACHINE

Après avoir travaillé, avant de quitter la machine:

1. Retirer les brosses/les plateaux supports disques.
2. Vider les réservoirs (B et C, Figure 15), comme indiqué dans le paragraphe précédent.
3. Effectuer les procédures d'entretien quotidien (voir le chapitre Maintenance).
4. Ranger la machine dans un endroit propre et sec, avec les brosses/les plateaux supports disques et l'embouchure, soulevés ou retirés.

## LONGUE INACTIVITÉ DE LA MACHINE

Si la machine n'est pas utilisée pendant plus de 30 jours, procéder comme suit:

1. Effectuer les procédures indiquées dans le paragraphe « APRÈS UTILISATION DE LA MACHINE ».
2. Déconnecter le connecteur de la batterie (D, Figure 15).

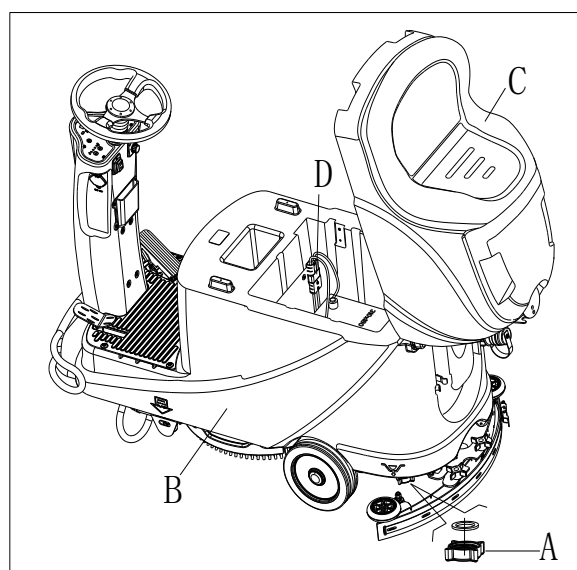


Figure 15

## UTILISATION POUR LA PREMIÈRE FOIS

Après neuf heures d'usage pour la première fois de la machine, veuillez vérifier s'il y a tout dommage ou situation anormale, vérifier si les fixations ou les raccords sont desserrés.

## ENTRETIEN



### ATTENTION!

Les procédures d'entretien doivent être effectuées après que la machine ait été éteinte et le câble du chargeur de batterie ait été débranché. En outre, lire attentivement les chapitres de sécurité dans le Manuel.

Toutes les procédures de maintenance programmées ou extraordinaires doivent être effectuées par un personnel qualifié ou un centre de maintenance agréé. Ce manuel ne décrit que les procédures d'entretien générales. Pour les autres procédures d'entretien qui ne sont pas dans le calendrier d'entretien ci-dessous, veuillez vous référer au manuel d'entretien.

## CALENDRIER D'ENTRETIEN PROGRAMME



### ATTENTION!

La procédure indiquée avec un (1) doit être effectuée lorsque la machine est utilisée après 9 heures pour la première fois.  
La procédure indiquée avec un (2) doit être faite par un centre de maintenance agréé.

Procédure	Quotidien, après chaque utilisation	Hebdomadaire	semestrielle	Annuelle
Charger la batterie				
Nettoyage de l'embouchure				
Nettoyage de la brosse/du disque				
Nettoyage du réservoir				
Inspection de la bande d'étanchéité du réservoir				
Nettoyage du filtre à flotteur				
Vérification et remplacement de l'embouchure				
Nettoyage du filtre à eau				
Nettoyage du filtre d'aspiration				
Vérification du niveau de liquide de la batterie avec entretien				
Inspection de l'étanchéité de la vis et de l'écrou			(1)	
Vérification ou remplacement de la brosse/disque				(2)
Vérification ou remplacement des charbons du moteur de brosse				(2)
Vérification et remplacement des charbons du moteur d'aspiration (uniquement pour machine avec traction)				(2)
Ajouter de l'huile de graissage aux pièces rotatives			(1)	

## CHARGEMENT DE BATTERIE



### REMARQUE

Veuillez charger les batteries quand le voyant LED jaune (32) ou le voyant LED rouge (33) est allumé, ou à la fin de chaque cycle de travail.



### MISE EN GARDE

Toujours garder la batterie dans un état complètement chargé peut prolonger sa durée de vie.



### MISE EN GARDE

Veuillez charger la batterie dès que possible si le niveau de la batterie est faible, sinon la durée de vie de la batterie peut être réduite. Il est préférable de vérifier la batterie au moins une fois par semaine.





**ATTENTION!**

Faire attention lorsque la batterie charge, car de l'acide peut déborder des batteries avec entretien.

L'acide de batterie est corrosif, s'il vient accidentellement en contact avec la peau ou les yeux, laver immédiatement et abondamment avec de l'eau propre et aller voir un médecin.

**Les étapes de préparation pour charger les batteries**

1. Ouvrir le couvercle du réservoir de récupération (B, Figure 16) pour vérifier si le réservoir de récupération (C) est vide, ou vider le réservoir de récupération par le tuyau de vidange (A).
2. Conduire la machine dans le local de charge désigné.
3. Tourner la clé de contact vers « arrêt ».
4. Cette étape est uniquement pour les batteries AVEC ENTRETIEN:
  - Nettoyer la surface de la batterie si nécessaire.
  - Vérifier le niveau d'électrolyte des éléments de batteries (D), le cas échéant, ouvrir le couvercle pour remplir complètement de l'électrolyte et puis remettre le couvercle.
  - Garder le couvercle ouvert pendant la charge.
5. Sélectionner l'un des modes de charge ci-dessous selon le type de chargeur sélectionné.

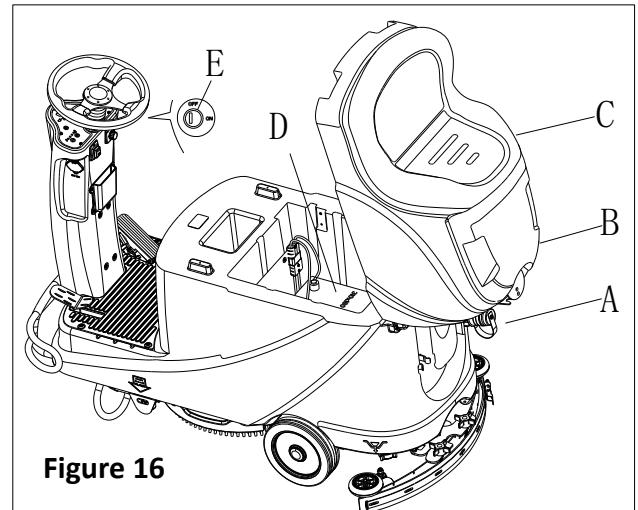


Figure 16

**Utiliser le chargeur embarqué pour charger la batterie**

6. Connecter le câble du chargeur de batterie (A, Figure 17) au réseau électrique (G) et puis toutes les fonctions de la machine, sauf la charge, sont coupées automatiquement. Le voyant LED rouge (B) allumé indique normalement que la machine est en cours de charge.
7. Les batteries sont complètement chargées lorsque le voyant LED vert (C) s'allume.
8. Déconnecter le câble du chargeur de batterie du réseau électrique après la charge complète et puis stocker le câble du chargeur de batterie dans le bac de stockage (D).

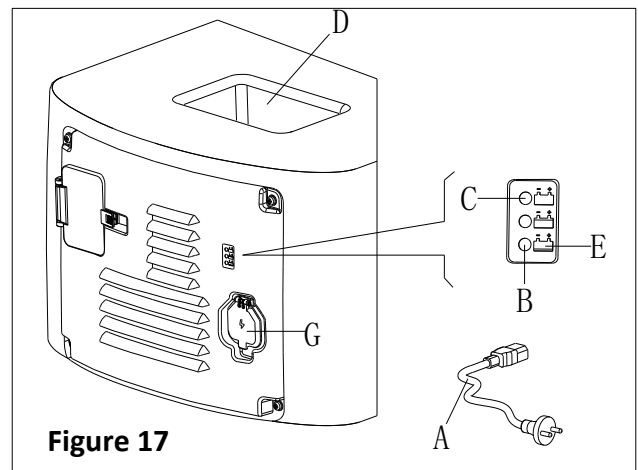


Figure 17



**REMARQUE**

Pour plus d'informations sur le chargeur embarqué (E, Figure 17), veuillez se référer au manuel correspondant du centre de service.

**NETTOYAGE DE LA BROSSE/DU DISQUE**



**MISE EN GARDE!**

Il est recommandé de porter des gants lors du nettoyage de la brosse ou du support de disque puisqu'il peut contenir des fragments pointus.

1. Retirer la brosse / support de disque, en se basant sur les procédures dans les sections précédentes.
2. Nettoyer la brosse/le support de disque avec de l'eau et du détergent.
3. Vérifier les conditions d'intégrité et d'abrasion des poils de la brosse, si nécessaire, remplacer la brosse.
4. Vérifier la qualité d'abrasion du disque de nettoyage, si nécessaire le retourner ou le remplacer.

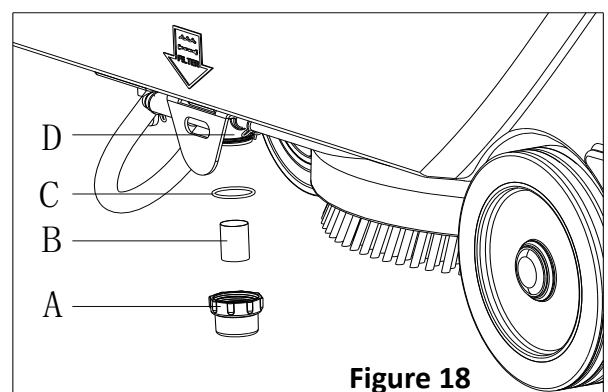


Figure 18

## NETTOYAGE DU FILTRE DE SOLUTION

1. Conduire la machine sur le sol plat.
2. S'assurer que la machine est arrêtée.
3. Vider le réservoir de solution (étape optionnelle).
4. Enlever le couvercle du filtre de solution (A, Figure 18) pour nettoyer le tamis du filtre (B) et puis les fixer de nouveau au support du filtre (D).



### REMARQUE

Le tamis du filtre (B) doit être correctement positionné au boîtier du support du filtre (D).

## NETTOYAGE DE L'EMBOUCHURE



### REMARQUE

L'embouchure doit être propre et ses lamelles doivent être en bon état afin d'obtenir un bon séchage.



### MISE EN GARDE

Il est conseillé de porter des gants de protection lors du nettoyage de l'embouchure, car il peut y avoir des débris pointus.

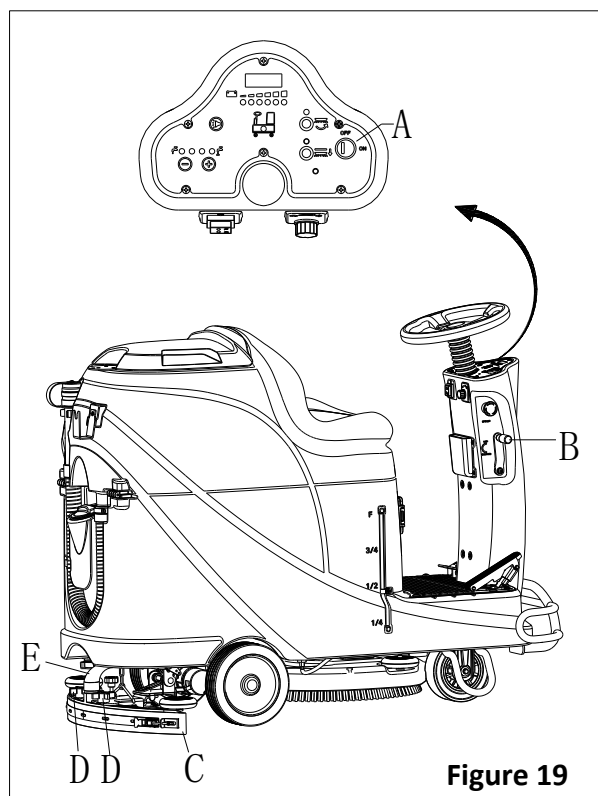


Figure 19

1. Conduire la machine sur un sol plat.
2. Tourner la clé de contact (A, Figure 19) vers « arrêt ».
3. Abaisser la raclette (B) à l'aide du levier (C).
4. Desserrer les boutons (D) et retirer la raclette.
5. Déconnecter le tuyau d'aspiration (E) de la raclette.
6. Nettoyer la raclette en acier ou aluminium, en particulier les compartiments (A, Figure 20) et les trous (B). Vérifier l'intégrité, s'il y a des coupures et des déchirures de la lame avant (B) et de la lame arrière (C), le cas échéant, les remplacer selon les procédures décrites dans le paragraphe suivant.
7. Assembler la raclette dans l'ordre inverse du démontage.

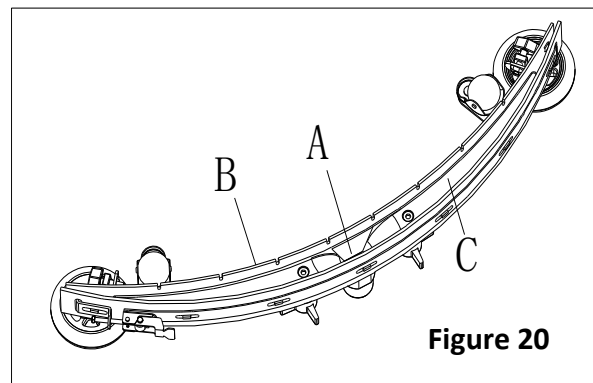


Figure 20

## VÉRIFICATION ET REMPLACEMENT DE LA LAMELLE DE L'EMBOUCHURE

1. Nettoyer l'embouchure en acier ou en aluminium, comme indiqué dans le paragraphe précédent.
2. Vérifier que les bords (E, Figure 21) de la lamelle avant (C) et les bords (F) de la lamelle arrière (D) reposent sur un même niveau, sur toute leur longueur; si nécessaire ajuster leur hauteur selon la procédure suivante:
  - Retirer la tige de traction (G), dégager les éléments de fixation (M) et régler la lamelle arrière (D), puis engager les fixations (M) et installer la tige de traction (G).
  - Desserrer les boutons (I) et régler la lamelle avant (C), puis serrer les boutons.
3. Vérifier l'usure de la lamelle avant (C) et de la lamelle arrière (D); si nécessaire les remplacer. Vérifier que le coin avant (J) de la lamelle arrière (D) ne soit pas usé; si nécessaire, retourner la lamelle pour remplacer le coin usé avec un autre coin. Si les autres coins sont usés, remplacer aussi la lamelle selon la procédure suivante:
  - Retirer la tige de traction (G), dégager les éléments de fixation (M) et retirer la barrette de retenue (K), puis remplacer/retourner la lame arrière (D). Monter l'embouchure dans l'ordre inverse du démontage.
  - Dévisser les boutons (I) et retirer la barrette de retenue (L), puis remplacer la lamelle avant (C). Monter l'embouchure dans l'ordre inverse du démontage. Après le remplacement de la lamelle (ou retournement), ajuster la hauteur, comme indiqué dans l'étape précédente.
4. Connecter le tuyau d'aspiration (A, Figure 22) à l'embouchure.
5. Installer l'embouchure (B) et visser les boutons (C).
6. Si nécessaire, régler le bouton de réglage de l'équilibre de l'embouchure (D).

## NETTOYAGE DU RÉSERVOIR ET DE LA GRILLE D'ASPIRATION AVEC LE FLOTTEUR, VÉRIFICATION DU JOINT DE COUVERCLE

1. Conduire la machine sur un sol nivelé.
2. Faire en sorte que la machine soit éteinte et que la clé de contact (40) soit retirée.
3. Basculer le couvercle du réservoir de récupération (A, Figure 23) position -90 degrés où il peut être retiré du réservoir, puis enlever le filtre à flotteur (P) du réservoir.
4. Nettoyer le couvercle du réservoir récupération (A), le réservoir de récupération (B), le réservoir d'eau propre (C) et le cadre de support du filtre à flotteur (E). Vider le réservoir de récupération avec le tuyau de vidange (15).
5. Si nécessaire, suivre les symboles "OPEN" et "CLOSE" comme indiqué sur la Figure 23 pour ouvrir le couvercle bas (F) du filtre à flotteur, puis nettoyer le filtre à flotteur (D), le cadre de support du filtre (E) et l'éponge du filtre (I). Après le nettoyage, fixer le filtre à flotteur (D) sur le cadre de support du filtre (E) puis aligner la rainure de marque (L) du capuchon de fond (F) du filtre à flotteur avec la rainure de marque (L) du cadre de support du filtre à flotteur (E). Visser fermement le capuchon de fond du filtre à flotteur, et fixer l'éponge du filtre (I) sur le cadre de support du filtre à flotteur (E). Enfin, le connecter au tuyau d'aspiration des eaux usées (M).
6. Inspecter l'état de la bande d'étanchéité du réservoir.

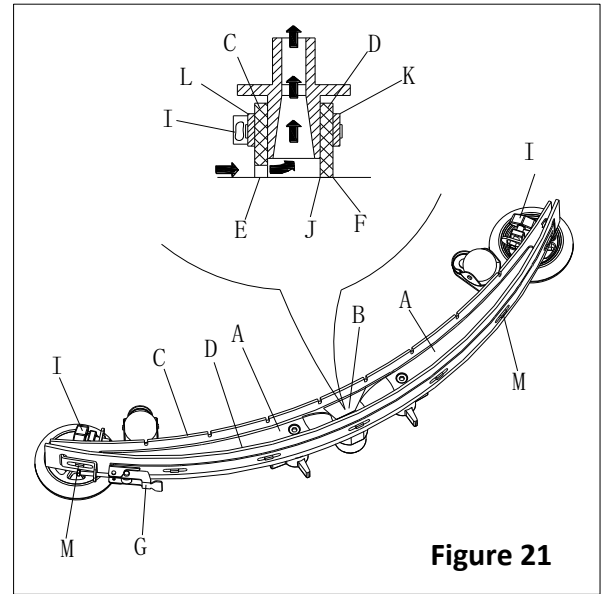


Figure 21



### REMARQUE

La bande d'étanchéité du réservoir (G) permet de produire le vide à l'intérieur du réservoir lorsque le moteur d'aspiration fonctionne. Le réservoir doit être scellé, pour pouvoir effectivement aspirer l'eau du sol vers le réservoir de récupération.

7. Vérifier si la surface de contact de la bande d'étanchéité (G) a une étanchéité suffisante. Si nécessaire, sortir la bande d'étanchéité du réservoir de la rainure (H) et la remplacer. Assembler la nouvelle bande d'étanchéité comme indiqué sur la Figure 23, le joint devant être ramené dans la zone médiane.
8. Fermer le couvercle du réservoir de récupération (A).

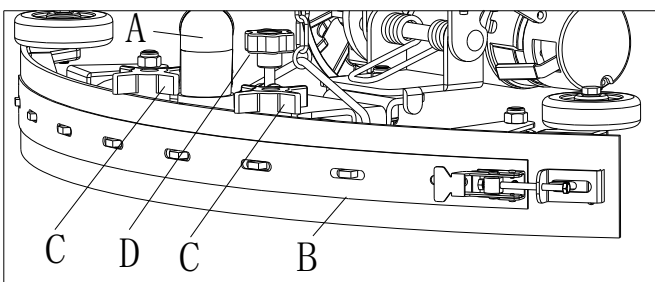


Figure 22

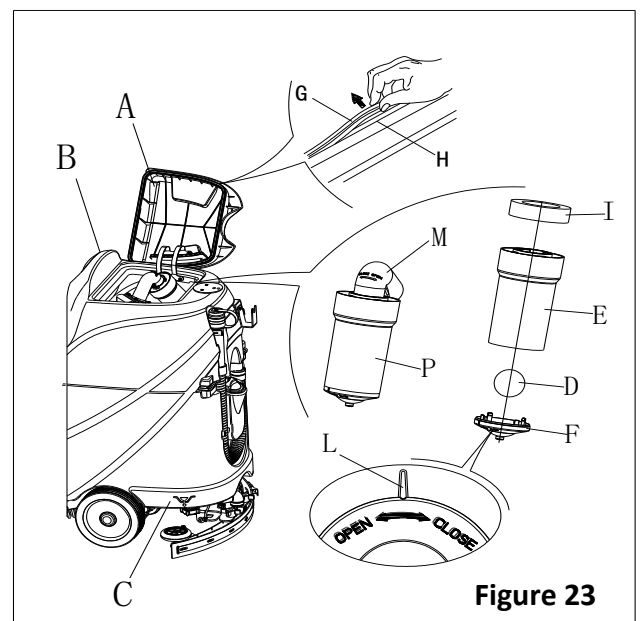


Figure 23

### VÉRIFICATION / REMPLACEMENT DU FUSIBLE

1. Tourner la clé de contact (D, Figure 24) vers « arrêt ».
2. Déconnecter le câble de connexion de la batterie.
3. Dévisser les vis (C) sur le panneau de contrôle et puis tourner le PCBA pour trouver le fusible (A et B).
4. Vérification / remplacement des fusibles:
  - A) F1 est le fusible du circuit à faible puissance (5A)
  - B) F3 est le fusible de démontage de la brosse (20A)
5. Après avoir effectué la vérification / le remplacement, réassembler dans l'ordre inverse du démontage.
6. Vérifier ou réinitialiser le protecteur contre la surcharge du moteur.
  - E) F5 est le protecteur contre la surcharge du moteur d'aspiration (30A)
  - F) F4 est le protecteur contre la surcharge du moteur d'entraînement (30A)
  - G) F2 est le protecteur contra la surcharge du moteur de la brosse (30A)

### ACCESSOIRES/OPTIONS

En plus des composants standards, la machine peut être équipée des accessoires/options suivants, selon l'utilisation spécifique de la machine.

Pour de plus amples informations concernant les accessoires optionnels mentionnés ci-dessus, contacter un distributeur agréé.

#### Accessoires/Options

Voir la section "Liste des pièces"

1. Batteries GEL/AGM
2. Disques de différents matériaux

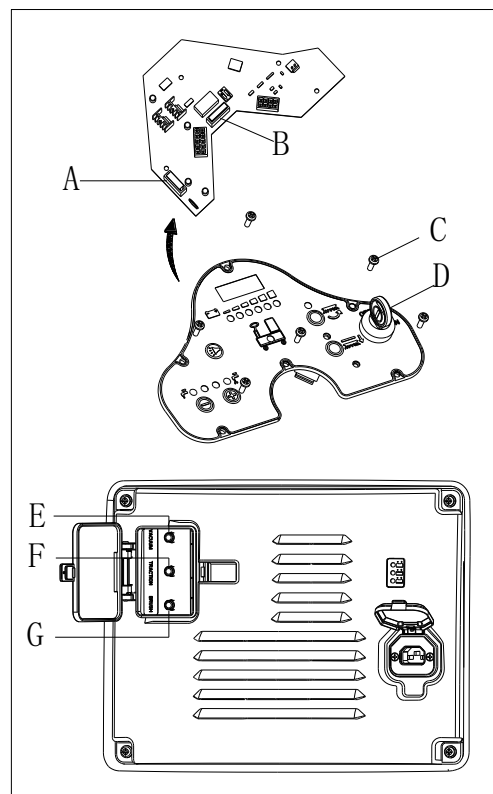


Figure 24

### DÉPANNAGE

Problème	Causes probables	Solution
Les moteurs ne fonctionnent pas ; aucun voyant d'avertissement ne s'allume (C9)	Le connecteur de la batterie est déconnecté	Connecter le connecteur de la batterie
	Les batteries sont complètement déchargées	Charger les batteries
La machine ne fonctionne pas, le voyant rouge d'avertissement de capacité de la batterie s'allume (C8)	Le niveau des batteries est trop faible	Charger les batteries
La machine ne marche pas vers l'avant / l'arrière	Défaillance de la carte de circuit de contrôle	Remplacer la carte de circuit de contrôle
	Défaillance du contrôleur du moteur d'entraînement	Se référer à « INFORMATIONS DU VOYANT D'ERREUR DU MOTEUR D'ENTRAÎNEMENT »
	L'opérateur n'est pas sur le siège	Asseyez-vous sur le siège
	La raclette n'est pas soulevée pendant la marche en arrière de la machine	Soulever la raclette
Le moteur de la brosse ne fonctionne pas	Défaillance de la carte de circuit de contrôle	Remplacer la carte de circuit de contrôle
	Surcharge du moteur de la brosse	Utiliser une brosse à poils doux qui est adéquate pour le nettoyage et réinitialiser le protecteur contre la surcharge du moteur de la brosse
	Défaillance du contacteur du moteur de la brosse	Contacter le service après-vente
	Usure de la brosse de carbone du moteur de la brosse	Contacter le service après-vente
	Les obstacles empêchent la rotation de la brosse	Nettoyer la brosse

Le moteur d'entraînement ne fonctionne pas	Le voyant de problème du moteur d'entraînement s'allume	Se référer à « INFORMATIONS DU VOYANT D'ERREUR DU MOTEUR D'ENTRAÎNEMENT »
	Surcharge du moteur d'entraînement	Réinitialiser le protecteur contre la surcharge du moteur d'entraînement et vérifier le moteur d'entraînement / le circuit
Le moteur d'aspiration ne fonctionne pas	Surcharge du moteur d'aspiration	Réinitialiser le protecteur contre la surcharge du moteur d'aspiration et vérifier le moteur d'aspiration
	Relais de défaillance du moteur d'aspiration	Contacteur le service après-vente
	Défaillance du panneau de contrôle	Remplacer le panneau de contrôle
Aspiration insuffisante, le sol ne peut pas être séché	Le réservoir de récupération est plein	Vider le réservoir de récupération
	Mauvaise connexion du tuyau de vidange et de la raclette	Connecter correctement le tuyau de vidange et la raclette
	Blocage du filtre à flotteur	Nettoyer le filtre à flotteur et vérifier l'état de la position du flotteur
	Raclette est sale ou usée	Vérifier et nettoyer la raclette
	Le couvercle du réservoir de récupération est mal fermé ou le joint est endommagé, ou le tube Bend est bouché	Fermer le couvercle correctement, ou remplacer le joint ou nettoyer le tube Bend.
	Le réservoir de récupération est sale	Nettoyer le réservoir de récupération
Alimentation en solution insuffisante à la plaque de brosse	Le filtre de solution est sale	Nettoyer le filtre
	Le voyant de vide du réservoir de solution est allumé	Remplir le réservoir de solution
	Le réservoir de solution est trop sale	Nettoyer le réservoir de solution
La raclette laisse des rayures sur le sol	Il y a des débris sous la lame de la raclette	Retirer les débris
	La lame de la raclette est usée, fissurée, vieillie	Remplacer les lames de la raclette
	L'équilibre de la raclette n'est pas réglé	Régler l'équilibre de la raclette
Défaillance du frein du moteur d'entraînement	Le frein est verrouillé	Débloquer le frein

**INFORMATIONS DU VOYANT D'ERREUR DU MOTEUR D'ENTRAÎNEMENT**

CODES LED		DÉFAILLANCE	CAUSE POSSIBLE
1.1	○○	DÉFAILLANCE THERMIQUE	1. Température > 80°C ou <-10°C. 2. Charge excessive sur le véhicule. 3. Utilisation dans des environnements extrêmes. 4. Frein électromagnétique ne libère pas.
1.2	○○○	DÉFAILLANCE DE L'ACCÉLÉRATEUR	1. Fil d'entrée de l'accélérateur est ouvert ou court-circuité. 2. Potentiomètre de l'accélérateur est défectueux. 3. Mauvais type d'accélérateur sélectionné.
1.3	○○○○	Défaillance du potentiomètre de vitesse	1. Fil (s) du potentiomètre de vitesse fil est (sont) cassé (s) ou court-circuité (s). 2. Potentiomètre de vitesse est brisé.
1.4	○○○○○	DÉFAUT DE SOUS-TENSION	1. Tension de la batterie < 17 volts. 2. Mauvaise connexion à la batterie ou au contrôleur.
1.5	○○○○○○	DÉFAUT DE SURTENSION	1. Tension de la batterie > 31 volts. 2. Véhicule fonctionne avec le chargeur connecté. 3. Connexion intermittente de la batterie.
2.1	○○○	DÉFAUT PRINCIPAL D'ARRÊT	1. Échec d'ouverture du contacteur principal.

2.3	□□□□□□	DÉFAUT PRINCIPAL *	1. Contacteur principal soudé ou bloqué en position ouverte. 2. Défaut du contacteur principal.
2.4	□□□□□□	DÉFAUT PRINCIPAL DE MARCHE	1. Échec de fermeture du contacteur principal.
3.1	□□□□	DÉFAUT DE CÂBLAGE *	1. Mauvais réglage de l'accélérateur. 2. Potentiomètre de l'accélérateur ou mécanisme d'accélération brisé.
3.2	□□□□□	DÉFAUT D'OUVERTURE DE FREIN	1. Entraînement de frein électromagnétique est court-circuité. 2. Bobine de frein électromagnétique est ouverte.
3.3	□□□□□□	DÉFAUT DE PRÉCHARGE *	1. Entraînement de frein est court-circuité. 2. Circuit de pré-charge endommagé. 3. Défaillance MOSFET.
3.4	□□□□□□□	DEFAULT DE FERMETURE DE FREIN	1. Entraînement de frein électromagnétique est ouvert. 2. Bobine de frein électromagnétique est court-circuitée.
3.5	□□□□□□□□	DÉFAUT HPD	1. Séquence incorrecte de l'accélérateur et KSI, pousse ou inhibe les entrées. 2. Mauvais réglage du potentiomètre de l'accélérateur.
4.1	□□□□□	DÉFAUT DU SENS DE COURANT *	1. Court-circuit dans le moteur ou dans le câblage du moteur. 2. Défaillance du régulateur.
4.2	□□□□□□	DÉFAUT DE SÉCURITÉ DU MATÉRIEL *	1. Tension du moteur ne correspond pas à la demande de l'accélérateur. 2. Court-circuit dans le moteur ou dans le câblage du moteur. 3. Défaillance du régulateur.
4.3	□□□□□□□	DÉFAUT DE LA SOMME DE CONTRÔLE EEPROM †	1. Défaillance ou défaut EEPROM.
4.5	□□□□□□□□□	DÉFAUT DE DÉCONNEXION DE LA BATTERIE *	1. La batterie n'est pas connectée. 2. Mauvaise connexion aux terminaux de la batterie.

\* = On doit commuter l'interrupteur de clés pour effacer.

† = On doit utiliser le programmeur pour effacer, comme suit : sélectionner le menu Programme, modifier la valeur des données d'un paramètre, commuter l'interrupteur de clés.



### REMARQUE

La machine qui est équipée d'un chargeur embarqué ne sera pas exploitée lorsqu'il y a un mauvais fonctionnement du chargeur embarqué, veuillez contacter notre centre d'entretien pour aide.

## RECYCLAGE

Effectuer le recyclage de votre machine par un centre agréé.

Avant que la machine ne soit détruite, veuillez à respecter la réglementation en vigueur pour les différents éléments qui la constituent.

- Batterie
- Brosse/plateau support disque
- Tuyau en plastique et pièces en plastique
- Composants électriques et électroniques (\*)

(\*) Veuillez contacter notre centre de service pour détruire tout composant électrique et électronique.

## TABLA DE CONTENIDOS

<b>INTRODUCCIÓN</b> .....	<b>43</b>
CONTENIDO Y OBJETIVO DEL MANUAL .....	43
CÓMO GUARDAR ESTE MANUAL.....	43
DECLARACIÓN DE CONFORMIDAD .....	43
ACCESORIOS Y MANTENIMIENTO.....	43
CAMBIOS Y MEJORAS .....	43
ÁMBITO DE APLICACIÓN.....	43
DATOS DE IDENTIFICACIÓN DE LA MÁQUINA.....	43
TRANSPORTE Y DESEMBALAJE.....	43
<b>SEGURIDAD</b> .....	<b>44</b>
SÍMBOLOS QUE APARECEN EN EL MANUAL DE INSTRUCCIONES PARA EL USO.....	44
INSTRUCCIONES GENERALES DE SEGURIDAD.....	44
<b>DESCRIPCIÓN DE LA MÁQUINA</b> .....	<b>46</b>
CONSTRUCCIÓN DE LA MÁQUINA .....	46
PANEL DE CONTROL.....	47
INFORMACIÓN MOSTRADA EN PANTALLA LED .....	47
VENTANA DE VISUALIZACIÓN DEL INDICADOR LUMINOSO DEL CARGADOR .....	47
PARÁMETROS TÉCNICOS .....	48
DIAGRAMA DE CIRCUITO .....	49
<b>GUÍA PARA EL MANEJO</b> .....	<b>51</b>
INSTALACIÓN Y CONFIGURACIÓN DE LA BATERÍA EN UNA MÁQUINA NUEVA .....	51
INSTALACIÓN DE LA BATERÍA Y CONFIGURACIÓN DEL TIPO DE BATERÍA (HÚMEDA O DE GEL/AGM) .....	51
FRENO DE EMERGENCIA .....	52
INSTALACIÓN Y DESINSTALACIÓN DEL CEPILLO/ALMOHADILLA .....	52
AJUSTAR EL BALANCE DE LA BOQUILLA DE ASPIRACIÓN.....	53
SOLUCIÓN DE RELLENO DEL DEPÓSITO .....	53
INICIO Y PARADA DE LA MÁQUINA.....	54
CONDUCCIÓN DE LA MÁQUINA (FROTAR Y SECAR) .....	55
VACIAR LOS DEPÓSITOS.....	56
DESPUÉS DE USAR LA MÁQUINA.....	56
INACTIVIDAD PROLONGADA DE LA MÁQUINA.....	56
PRIMER USO .....	57
<b>MANTENIMIENTO</b> .....	<b>57</b>
TABLA DE MANTENIMIENTO PROGRAMADO .....	57
CARGAR LA BATERÍA .....	57
LIMPIAR EL CEPILLO/DISCOS.....	58
LIMPIEZA DEL FILTRO DE SOLUCIÓN.....	59
LIMPIEZA DE LOS LABIOS .....	59
INSPECCIÓN Y CAMBIO DE LAS LÁMINAS DE LA BOQUILLA DE ASPIRACIÓN .....	59
REJILLA DEL DEPÓSITO Y DE LA ASPIRACIÓN CON LIMPIEZA DEL FLOTADOR E INSPECCIÓN DE LA JUNTA DE LA TAPA ....	60
REVISIÓN DE FUSIBLE/REEMPLAZO .....	61
ACCESORIOS/OPCIONES .....	61
<b>RESOLUCIÓN DE PROBLEMAS</b> .....	<b>61</b>
<b>DESGUACE</b> .....	<b>63</b>

## INTRODUCCIÓN



### NOTA

Los números entre paréntesis hacen referencia a los componentes que se muestran en la sección Descripción de la Máquina.

## CONTENIDO Y OBJETIVO DEL MANUAL

Este Manual de Instrucciones para el uso tiene por objeto proporcionar al operador con toda la información necesaria para usar la máquina de manera adecuada y segura. Contiene información sobre los datos técnicos, seguridad, manejo, almacenamiento, mantenimiento, piezas de repuesto y desecho.

Antes de efectuar cualquier procedimiento con la máquina, los operadores y técnicos calificados deben leer este Manual atentamente. Póngase en contacto con uno de nuestros centros de servicio en caso de cualquier duda acerca de este manual o si se necesita más información.

Los operadores no deben realizar los procedimientos que están a cargo de los técnicos calificados. Nuestra empresa no se responsabilizará por daños provenientes del incumplimiento de esta prohibición.

## CÓMO GUARDAR ESTE MANUAL

El Manual debe mantenerse cerca de la máquina, en el interior de una funda adecuada, lejos de líquidos y otras sustancias que puedan ocasionar daños en la misma.

## DECLARACIÓN DE CONFORMIDAD

La Declaración de conformidad se suministra con la máquina y certifica la conformidad de la máquina con la ley vigente.



### NOTA

Las copias de la declaración de conformidad original se proporcionan junto con la documentación de la máquina.

## ACCESORIOS Y MANTENIMIENTO

Todos los procedimientos de operación, mantenimiento y reparación necesarios deben ser realizados por personal cualificado o por los centros de servicio designados de nuestra empresa. SOLO se permite el uso de accesorios y piezas de repuesto originales.

Póngase en contacto con el servicio de atención al cliente de nuestra empresa por cualquier servicio o compra de accesorios o piezas de repuesto según necesario.

## CAMBIOS Y MEJORAS

Estamos comprometidos con la mejora continua de nuestros productos, por lo que la compañía se reserva el derecho de aportar cambios y mejoras al producto sin aviso adicional.

## ÁMBITO DE APLICACIÓN

La fregadora está destinada al uso comercial e industrial. Es apropiada para la limpieza de suelos duros y lisos, cuando es operada por personal cualificado en las circunstancias de seguridad. No es apta para el uso al aire libre o para la limpieza de alfombras o suelos ásperos.

## DATOS DE IDENTIFICACIÓN DE LA MÁQUINA

El número de serie y el modelo de la máquina aparecen marcados en la etiqueta de serie.

Esta información es útil. Utilice la siguiente tabla para anotar los datos de identificación de la máquina a la hora de comprar piezas de repuesto para la máquina.

MODELO DE LA MÁQUINA.....
NÚMERO DE SERIE DE LA MÁQUINA.....

## TRANSPORTE Y DESEMBALAJE

Cuando el transportista entrega la máquina, asegúrese de que el embalaje y la máquina se encuentran enteros y sin daños. En caso de cualquier daño, avise el transportista sobre el daño y, antes de aceptar las mercancías, resérvese el derecho a ser indemnizado por el daño.

Al desembalar la máquina siga estrictamente las instrucciones en el embalaje.



Compruebe el paquete y asegúrese de que los siguientes artículos están incluidos:

1. Documentación técnica, y cargador manual a bordo si el cargador a bordo está equipado.
2. Cable cargador si el cargador a bordo está equipado.

## SEGURIDAD

Los siguientes símbolos indican situaciones potencialmente peligrosas. Siempre lea atentamente esta información y tome todas las precauciones necesarias para salvaguardar a las personas y las propiedades.

### SÍMBOLOS QUE APARECEN EN EL MANUAL DE INSTRUCCIONES PARA EL USO



#### ¡PELIGRO!

Indica una situación peligrosa con riesgo de muerte para el operador.



#### ¡ADVERTENCIA!

Indica un riesgo potencial de lesiones a las personas.



#### ¡PRECAUCIÓN!

Indica una advertencia o una observación relacionada con funciones importantes o útiles. Preste atención a los párrafos marcados con este símbolo.



#### NOTA

Indica una observación relacionada con funciones importantes o útiles.



#### CONSULTA

Indica la necesidad de consultar el manual de instrucciones de uso antes de realizar cualquier procedimiento.

## INSTRUCCIONES GENERALES DE SEGURIDAD

Advertencias y precauciones específicas para informar acerca de los posibles daños a las personas y a la máquina se muestran a continuación.



#### ¡PELIGRO!

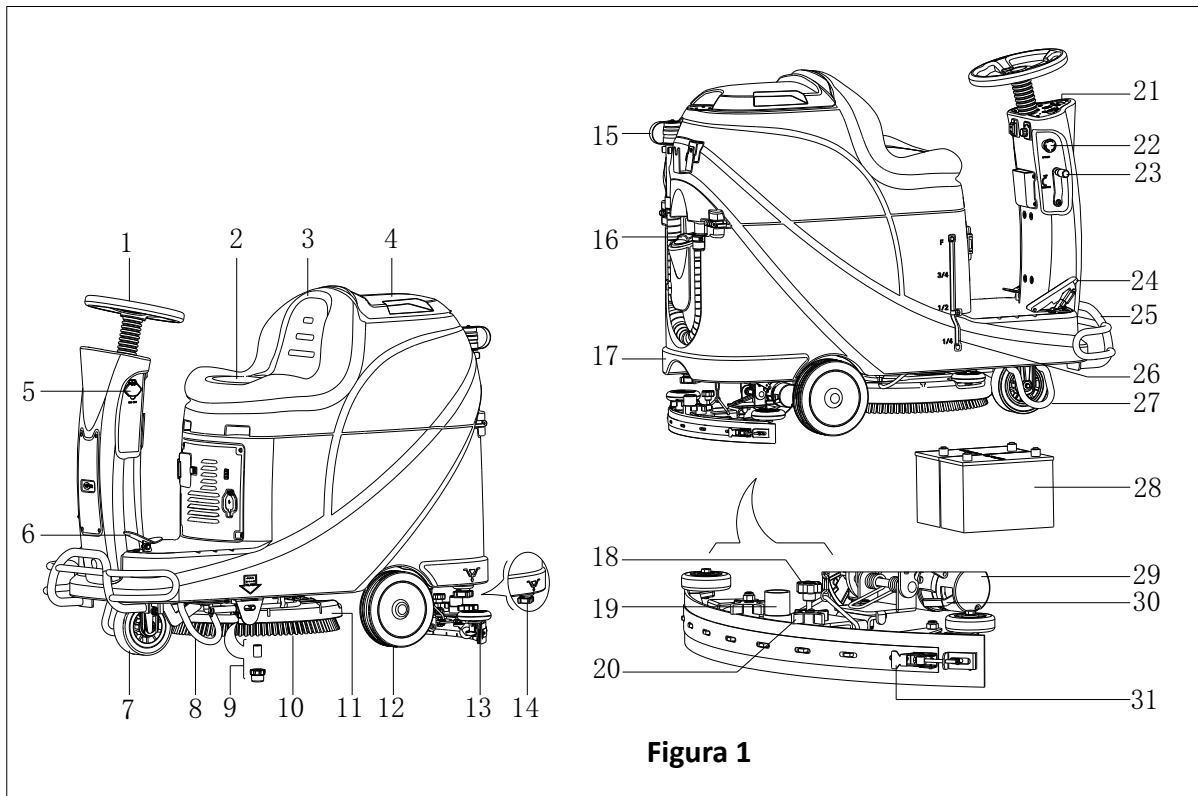
- Esta máquina debe ser operado por personal capacitado y autorizado de acuerdo con las directrices del manual.
- Antes de realizar cualquier procedimiento de limpieza, mantenimiento, reparación o sustitución, lea todas las instrucciones con cuidado, asegúrese de apagar la máquina y desconectar el conector de la batería.
- No utilice la máquina cerca de polvos, líquidos o vapores tóxicos, peligrosos, inflamables y/o explosivos. Esta máquina no es adecuada para la recogida de polvos peligrosos.
- No use joyas cuando trabaja cerca de componentes eléctricos.
- No opere debajo de la máquina levantada sin apoyarla con soportes de seguridad.
- Cuando se usan baterías de plomo (WET), en condiciones de uso normales estas pueden emitir gases inflamables por lo que hay que mantener las chispas, llamas, materiales humeantes y radiantes, objetos iluminadores y ardientes lejos de las baterías.
- Durante la carga las baterías de plomo (WET) pueden emitir gas hidrógeno que es explosivo. Asegúrese de que el entorno de la carga está bien ventilado y lejos de llamas descubiertas.



#### ¡ADVERTENCIA!

- Revise cuidadosamente la máquina antes de cada uso. Asegúrese de que todos los componentes se encuentran montados seguramente antes de su uso. En el caso contrario podrían producirse daños a las personas y a las propiedades.

- Antes de utilizar el cargador de baterías, asegúrese de que los valores de frecuencia y voltaje indicados en la etiqueta del número de serie de la máquina coinciden con los de la red eléctrica.
- Nunca mueva la máquina tirando del cable del cargador de la batería. No pase el cable a través de puertas cerradas o enrollarse en bordes o esquinas afiladas. No conduzca la máquina sobre el cable del cargador de la batería. Mantenga el cable del cargador de la batería lejos de superficies calientes.  
No cargue las baterías si el cable o el enchufe del cargador de la batería están dañados.
- Para reducir el riesgo de incendio, descargas eléctricas o lesiones, asegúrese de que la máquina está apagada antes de salir.
- Utilice o guarde la máquina en interiores en condiciones secas, no está permitido usarla al aire libre.
- La temperatura tanto de almacenamiento como de funcionamiento de la máquina debe ser entre 0 °C y +40 °C, la humedad del aire debe oscilar entre 30% - 95%.
- No utilice la máquina en pendientes con un grado de inclinación superior al que indica la especificación.
- Durante el uso y manipulación de detergentes de limpieza de suelos, siga las instrucciones en las etiquetas de las botellas de detergente y use guantes y protección adecuada.
- Utilice cepillos y discos suministrados con la máquina o definidos en el manual. El uso de otros cepillos o discos podría reducir la seguridad.
- En caso de mal funcionamiento de la máquina, asegúrese de que la causa no es la falta de mantenimiento. Si hace falta, solicite la asistencia del personal autorizado o se un Centro de Servicio autorizado.
- Tome todas las medidas de precaución para evitar que el cabello, joyas o ropa suelta queden atrapados entre las partes móviles de la máquina.
- No utilice la máquina en áreas excesivamente sucias.  
No lave la máquina con chorros directos o presurizados de agua, o con sustancias corrosivas.
- No choque contra estanterías o andamios, sobre todo cuando existe el riesgo de caída de objetos.
- No se apoye recipientes de líquido en la máquina, utilice el posavasos correspondiente.
- Para evitar daños en el suelo, no permita que el cepillo/almojadilla operar mientras la máquina está parada.
- En caso de incendio, use un extintor de polvo seco. No utilice extintores líquidos.
- No retire o modifique las pegatinas de la máquina.
- No manipule las protecciones de seguridad de la máquina y siga las instrucciones de mantenimiento ordinarias estrictamente.
- Preste atención durante el transporte de la máquina cuando la temperatura está por debajo del punto de congelación. El agua en el depósito de recuperación o en los tubos podría congelarse y dañar la máquina.
- Si se tienen que cambiar algunas piezas, compre piezas de repuesto ORIGINALES de los Distribuidores o Minoristas Autorizados.
- Lleve la máquina al Centro de Servicio si no funciona como de costumbre o está en condiciones de haber sido dañada, dejada al aire libre, caída al agua.
- Para garantizar el funcionamiento correcto y seguro de la máquina, el mantenimiento programado que se muestra en el capítulo correspondiente de este Manual, debe ser realizado por el personal autorizado o un Centro de Servicio autorizado.
- La máquina debe desecharse de forma adecuada, debido a la presencia de materiales tóxicos dañinos (baterías, etc.), que están sujetos a las normas que requieren la eliminación en centros especiales (ver capítulo Desguace).
- Esta máquina es una herramienta de limpieza, no sirve para cualquier otro propósito.
- Siempre mantenga los orificios libres de polvo, pelos y cualquier otro material extraño que podría reducir el flujo de aire. No utilice la máquina si los orificios están obstruidos.
- Utilice la máquina sólo cuando se proporciona una iluminación adecuada.
- Esta máquina no está diseñada para su uso por personas con capacidades físicas, sensoriales o mentales, o la falta de experiencia y conocimiento, a menos que sean supervisadas o instruidas acerca del uso de la máquina por una persona responsable de su seguridad.
- Preste especial atención al utilizar la máquina cerca de niños.
- Los niños deben ser supervisados para asegurarse de que no jueguen con la máquina.
- Durante el uso de esta máquina, tenga cuidado de no causar daños a personas u objetos.

**DESCRIPCIÓN DE LA MÁQUINA****CONSTRUCCIÓN DE LA MÁQUINA (como se indica en Figura 1)****Figura 1**

1. Volante
2. Cojín del asiento
3. Depósito de recogida
4. Tapa depósito de recogida
5. Puerto de carga USB
6. Pedal
7. Rueda delantera
8. Soporte angular izquierdo
9. Filtro de solución
10. Cepillo
11. Cubierta del cepillo
12. Rueda trasera
13. Montaje Escobilla
14. Tapa de salida de solución
15. Manguera de desagüe
16. Tapa de entrada de agua

17. Depósito de solución
18. Palomita de ajuste de la boquilla
19. Manguera aspiradora
20. Palomita boquilla
21. Panel de control
22. Botón de emergencia
23. Palanca subir/bajar boquilla
24. Pedal de aceleración
25. Parachoques delantero
26. Indicador del nivel de solución
27. Soporte angular derecho
28. Batería
29. Motor
30. Soporte de freno de bloque
31. Cerrojo boquilla

## DESCRIPCIÓN DE LA MÁQUINA

### PANEL DE CONTROL (como se indica en la Figura 2)

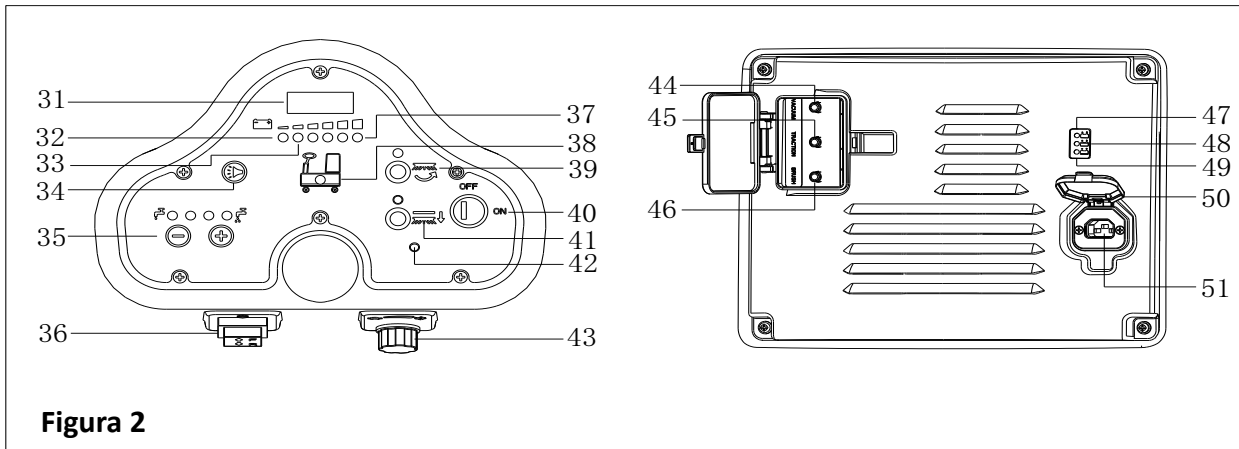


Figura 2

- |   |   |
|---|---|
| 31. Pantalla LED                                | 42. Luz de problemas en el motor                  |
| 32. Luz de aviso de batería descargada (Rojo)   | 43. Perilla de ajuste de velocidad                |
| 33. Indicador de batería semicargada (Amarillo) | 44. Protector de sobrecarga del motor aspirador   |
| 34. Bocina                                      | 45. Protector de sobrecarga del motor             |
| 35. Botón de ajuste de volumen de solución      | 46. Protector de sobrecarga del motor del cepillo |
| 36. Interruptor hacia adelante/ atrás           | 47. Indicador de carga de batería (Rojo)          |
| 37. Indicador de batería llena (Verde)          | 48. Indicador batería semicargada (Amarillo)      |
| 38. Indicador de depósito de Solución vacío     | 49. Indicador de batería llena (Verde)            |
| 39. Botón cepillo                               | 50. Tapa de enchufe de carga                      |
| 40. Interruptor de llave                        | 51. Enchufe de carga                              |
| 41. Botón de descarga de cepillo                |   |

### INFORMACIÓN MOSTRADA EN PANTALLA LED

STOP– La máquina no puede moverse, el cepillo se detiene, pero el motor aspirador funciona

(00012.3) – Total de horas de funcionamiento de la máquina es de 12.3 horas

L0-(18) – Voltaje de batería inferior a 18V

U-(25.5) – Voltaje de batería de 25.5V

ERR-01 –Las boquilla no se elevan cuando la máquina va hacia atrás

### VENTANA DE VISUALIZACIÓN DEL INDICADOR LUMINOSO DEL CARGADOR (como se indica en la Figura 2)

- Al comienzo de la carga, el LED Amarillo (48) parpadea, el LED rojo (47) y el LED verde (49) se encienden un segundo, el LD rojo se apaga, y luego el LED verde parpadea algunas veces antes de que el LED rojo del cargador esté normal. Es la primera fase de carga.
- Tras un tiempo de carga, el LED rojo (47) del cargador se apaga, el LED amarillo (48) se enciende, esta es la segunda fase de carga.
- Cuando la carga está completa, el LED amarillo (48) se apaga, el LED verde (49) se enciende para indicar que la batería está completamente cargada.



#### NOTA

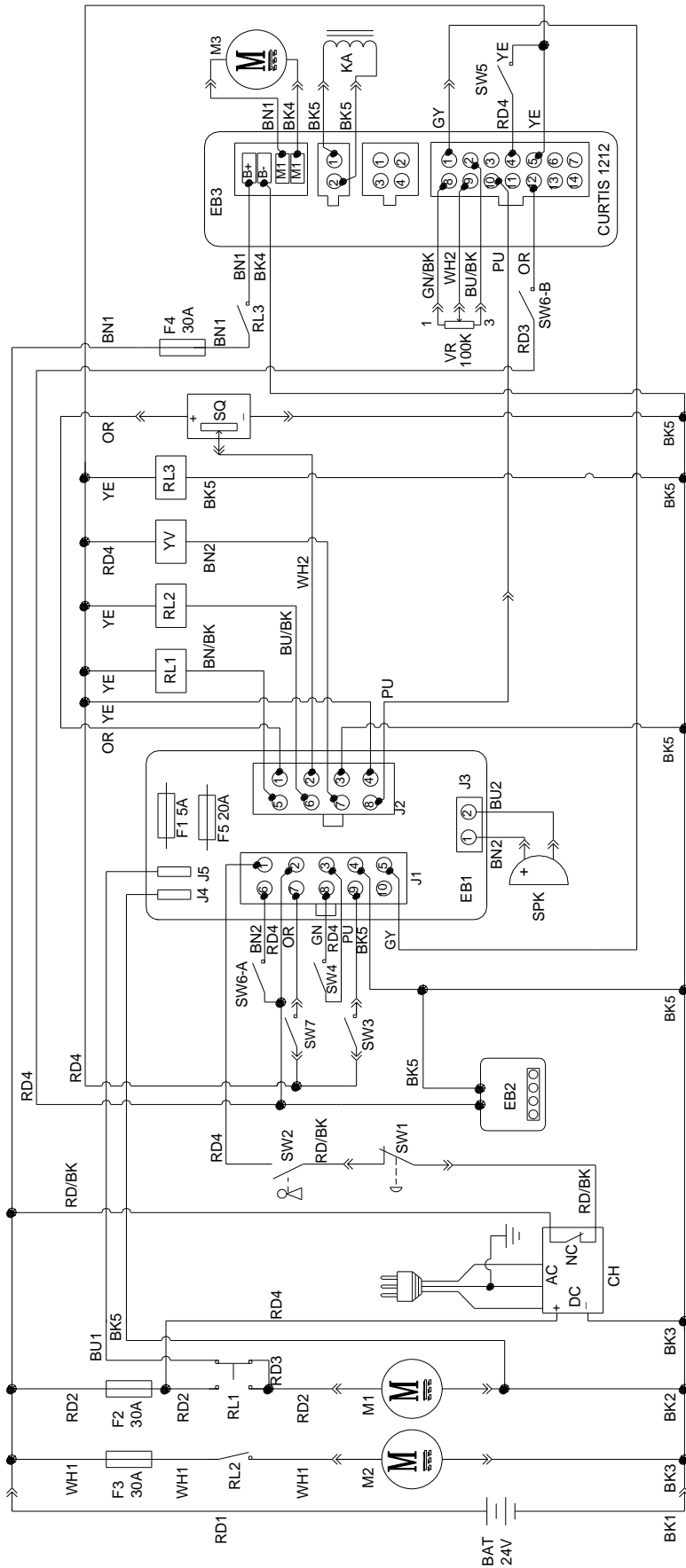
En el proceso de carga, si la luz amarilla (48) está encendida, puede ser causado por: la batería y el cargador no coinciden, la batería está mal conectada, o hay un cortocircuito en la salida.

La luz roja del cargador parpadeando puede ser debido a un cortocircuito interno en el cargador.

**PARÁMETROS TÉCNICOS**

<b>MODELO</b>	<b>AS530R</b>	
Dimensiones embalaje (Lx W x H)	mm	1470*730*1310
Altura de la máquina	mm	1120
Longitud de la máquina	mm	1360
Anchura de la máquina (sin la escobilla de goma)	mm	580
Peso de la máquina con los depósitos vacíos (sin baterías)	Kg	140
Peso bruto del vehículo (GVW)	Kg	270
Peso de envío	Kg	245
Capacidad del depósito de solución	Litro	72
Capacidad del depósito de recogida	Litro	73
Potencia del motor de aspiración	Vatio	400
Capacidad de aspiración	mm H <sub>2</sub> O	1223
Capacidad de ascenso (Máx.)	%	10
Diámetro de la rueda delantera	mm	φ175
Diámetro de la rueda trasera	mm	φ230
Nivel de ruido	dB(A)	69
Flujo de solución/agua	L/min	0.84-2.0
Ancho de trabajo	mm	530
Anchura de la escobilla de goma	mm	730
Diámetro del cepillo/almohadilla	mm	530
Potencia del motor del cepillo	Vatio	450
Velocidad del cepillo	Rpm	160
Presión del cepillo/almohadilla (Máx.)	Kg	25
Potencia del motor de accionamiento	Vatio	300W
Velocidad de trabajo	Km/h	5.5km/h
Voltaje	V	24V
Batería	Ah	2x100AH (20 horas)
Cargador de baterías	V/A	24V 10A
Tamaño del compartimento de las baterías (L x W x H)	mm	350*380*300
Especificaciones del cargador USB	V/A	5V, 0.8A

DIAGRAMA DE CIRCUITO



WIRE ROD		WIRE ROD	
RD1	RED/6AWG	BN/BK	BROWN/BLACK / 20AWG
RD2	RED/10AWG	BU1	BLUE/18AWG
RD3	RED/18AWG	BU2	BLUE/20AWG
RD4	RED/20AWG	BU/BK	BLUE/BLACK / 20AWG
RD/BK	RED/BLACK / 20AWG	GN	GREEN/20AWG
BK1	BLACK/6AWG	GN/BK	GREEN/BLACK / 20AWG
BK2	BLACK/10AWG	GY	GRAY/20AWG
BK3	BLACK/12AWG	PU	PURPLE/20AWG
BK4	BLACK/14AWG	OR	ORANGE/20AWG
BK5	BLACK/18AWG	YE	YELLOW/20AWG
BN1	BROWN/14AWG	WH1	WHITE/12AWG
BN2	BROWN/20AWG	WH2	WHITE/20AWG

COMPONENTS		COMPONENTS	
BAT	24V BATTERIES	M1	BRUSH MOTOR
CH	BATTERY CHARGER	M2	VACUUM MOTOR
EB1	CONTROL PANEL BOARD	M3	DRIVE MOTOR
EB2	USB CHARGING ELECTRONIC BOARD	SW1	EMERGENCY-STOP SWITCH
EB3	DRIVE ELECTRONIC BOARD	SW2	KEY SWITCH
RL1	BRUSH MOTOR ELECTROM SWITCH	SW3	CLEAN WATER LEVEL SWITCH
RL2	VACUUM MOTOR ELECTROM SWITCH	SW4	VACUUM MOTOR SWITCH
RL3	DRIVE SYSTEM ELECTROM SWITCH	SW5	OPTIONAL MODE SWITCH
YV	WATER ELECTROVALVE	SW6-A	OPTIONAL REVERSE SWITCH
F1	CONTROL PANEL BOARD FUSE	SW6-B	OPTIONAL REVERSE SWITCH
F2	BRUSH MOTOR CIRCUIT BREAKER	SW7	SEAT SWITCH
F3	VACUUM MOTOR CIRCUIT BREAKER	SQ	FOOT THROTTLE
F4	DRIVE SYSTEM CIRCUIT BREAKER	SPK	12VDC BUZZER
F5	BRUSH RELEASE FUSE	VR	SPEED POTENTIOMETER
KA	BRAKE		

COMPONENTES		COMPONENTES	
BAT	24V BATERÍAS	M1	MOTOR CEPILLO
CH	CARGADOR DE BATERÍA	M2	MOTOR ASPIRADOR
EB1	PANEL DE CONTROL	M3	MOTOR ARRANQUE
EB2	PLACA ELECTRÓNICA DE CARGA USB	SW1	INTERRUPTOR PARADA EMERGENCIA
EB3	PLACA ELECTRÓNICA CONDUCCIÓN	SW2	INTERRUPTOR LLAVE
RL1	INTERRUPTOR ELÉCTRICO MOTOR CEPILLO	SW3	INTERRUPTOR NIVEL AGUA LIMPIA
RL2	INTERRUPTOR ELÉCTRICO MOTOR ASPIRADOR	SW4	INTERRUPTOR MOTOR ASPIRADOR
RL3	INTERRUPTOR ELÉCTRICO SISTEMA DE ARRANQUE	SW5	INTERRUPTOR MODO OPCIONAL
YV	ELECTROVÁLVULA DE AGUA	SW6-A	INTERRUPTOR MARCHA ATRÁS OPCIONAL
F1	FUSIBLE PLACA PANEL DE CONTROL	SW6-B	INTERRUPTOR MARCHA ATRÁS OPCIONAL
F2	INTERRUPTOR MOTOR CEPILLO	SW7	INTERRUPTOR ASIENTO
F3	INTERRUPTOR MOTOR ASPIRADOR	SQ	ACELERADOR PIE
F4	INTERRUPTOR SISTEMA DE ARRANQUE	SPK	12VDC TIMBRE
F5	FUSIBLE SOLTAR CEPILLO	VR	POTENCIÓMETRO DE VELOCIDAD
KA	FRENO		

CABLE		CABLE	
RD1	ROJO/6AWG	BN/BK	MARRÓN /NEGRO/ 20AWG
RD2	ROJO /10AWG	BU1	AZUL/18AWG
RD3	ROJO /18AWG	BU2	AZUL/20AWG
RD4	ROJO /20AWG	BU/BK	AZUL/NEGRO/20 AWG
RD/BK	ROJO/NEGRO/20AWG	GN	VERDE/20AWG
BK1	NEGRO/6AWG	GN/BK	VERDE/NEGRO/20AWG
BK2	NEGRO /10AWG	GY	GRIS/20AWG
BK3	NEGRO /12AWG	PU	VIOLETA/20AWG
BK4	NEGRO /14AWG	OR	NARANJA/20AWG
BK5	NEGRO /18AWG	YE	AMARILLO/20AWG
BN1	MARRÓN/14AWG	WH1	BLANCO/12 AWG
BN2	MARRÓN /20AWG	WH2	BLANCO/20AWG

## GUÍA PARA EL MANEJO



### ¡ADVERTENCIA!

Preste mucha atención a los símbolos de este manual:

- ¡PELIGRO!
- ¡ADVERTENCIA!
- ¡PRECAUCIÓN!
- CONSULTA

Nunca cubra estos símbolos en la máquina por cualquier motivo, reemplácelos inmediatamente en caso de cualquier daño.

## INSTALACIÓN Y CONFIGURACIÓN DE LA BATERÍA EN UNA MÁQUINA NUEVA



### ¡ADVERTENCIA!

Los componentes eléctricos de la máquina pueden ser seriamente dañados si las baterías están mal instaladas o conectadas.

Las baterías deben ser instaladas por personal cualificado. Configure el cargador de batería (opcional) y la máquina PCBA según el tipo de batería (WET o GEL/AGM).

Revise si las baterías están dañadas antes de la instalación.

Desconecte el conector de batería y el enchufe el cargador de batería.

Maneje estas baterías con mucho cuidado.



### NOTA

La máquina requiere baterías 12V, conectadas como en la Figura 3.

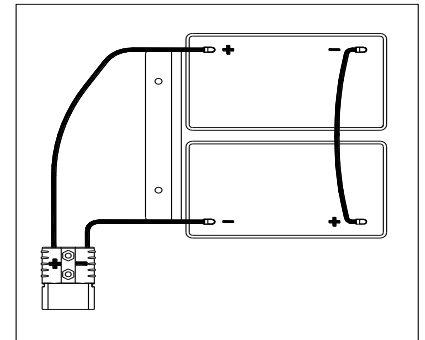


Figura 3

La máquina puede operarse en uno de los siguientes modos de batería:

### A) Las baterías WET o GEL/AGM ya están instaladas y listas para usar.

1. Revise las baterías y conecte el conector de batería a la máquina.
2. Inserte la llave en el interruptor (40) y gire a "on". Si la luz verde (48) se enciende, las baterías están completamente cargadas para el uso; si la luz amarilla o roja (47 o 48) se enciende, las baterías deben cargarse.

### B) Sin Baterías

1. Si su máquina no está equipada con baterías, compre baterías adecuadas [Ver el Párrafo de Datos Técnicos]. Para elegir e instalar las baterías, acuda a distribuidores cualificados.
2. Cuando las baterías están listas, configure la máquina y el cargado de batería según el tipo de baterías instaladas, luego siga las instrucciones contenidas en el siguiente párrafo.

## INSTALACIÓN DE LA BATERÍA Y CONFIGURACIÓN DEL TIPO DE BATERÍA (HÚMEDA O DE GEL/AGM)

Configure la placa de circuitos electrónica de la máquina y el cargador de batería según los tipos de baterías (WET o GEL/AGM) siguiendo estos pasos:



### NOTA

Cuando se instalen nuevas baterías, siga la Figura 4 para configurar el interruptor DIP, o las baterías pueden dañarse con la configuración errónea.

### Configuración de la máquina

1. Inserte llave en interruptor (40) y gire hacia "ON", preste atención a lo siguiente durante los primeros segundos de arranque de la máquina:
  - Si la luz verde (37) parpadea, la máquina está configurada para usar con baterías GEL/AGM.
  - Si la luz amarilla (33) parpadea, la máquina está configurada para usar baterías Discover EV AGM.
  - Si la luz roja (32) parpadea, la máquina está configurada para usar baterías WET.
2. Siga los siguientes pasos para cambiar la configuración de la máquina.



3. La configuración de fábrica de la máquina es para baterías Discover EV AGM. Si la configuración corresponde con las baterías seleccionadas, vaya directamente al paso 6 o siga AL siguiente paso.
4. Desatornille el tornillo (B, Figura 4) en el panel de control, luego gire el PCBA (A) en el panel para encontrar interruptor DIP (D), siga la Figura 4 para configurar DIP.
5. Haga los pasos en este orden o desensamble para arreglar el panel de control y atornille el cierre cuando termine.

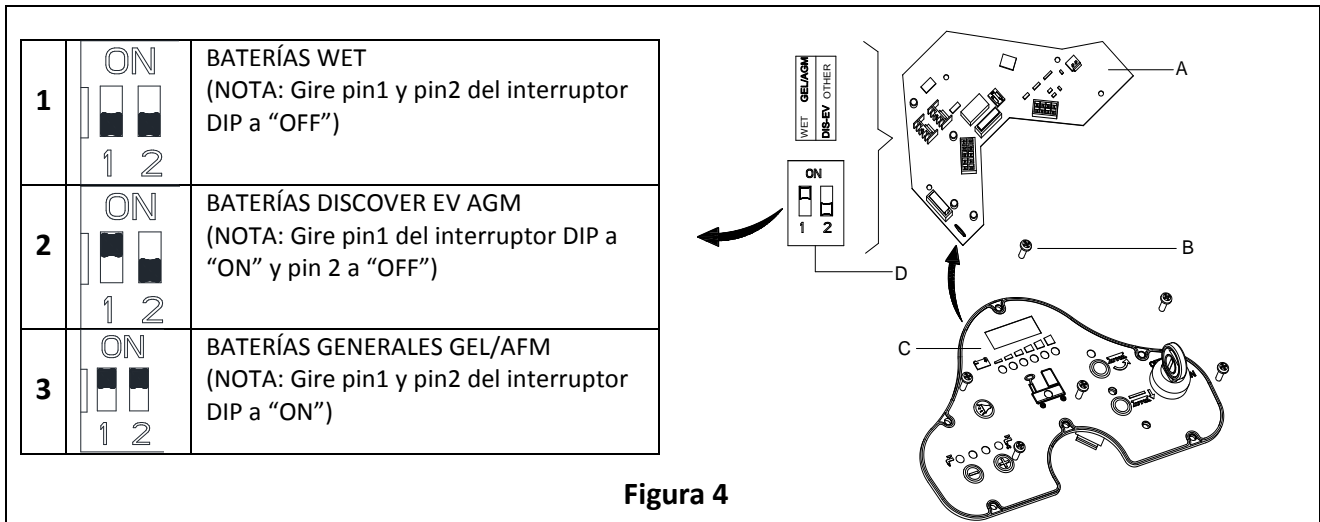


Figura 4

**Instalación de la batería**

6. Abra la tapa del depósito de recogida (4) y compruebe si el depósito de recogida (3) está vacío; de lo contrario vacíelo mediante la manguera de desagüe (15).
7. Cierre la tapa del depósito de recogida (4).
8. Vuelque el depósito de recogida con cuidado (3).
9. La máquina se entrega con los cables adecuados para instalar 2 baterías x12V. Coloque con cuidado las baterías en el compartimiento y a continuación instélaslas correctamente.
10. Pase e instale el cable de las baterías como se indica (en la Figura 3), luego apriete cuidadosamente la tuerca en cada uno de los terminales de la batería.
11. Coloque la tapa protectora en cada terminal, a continuación, conecte el conector de la batería.
12. Baje con cuidado el depósito de recogida (3).

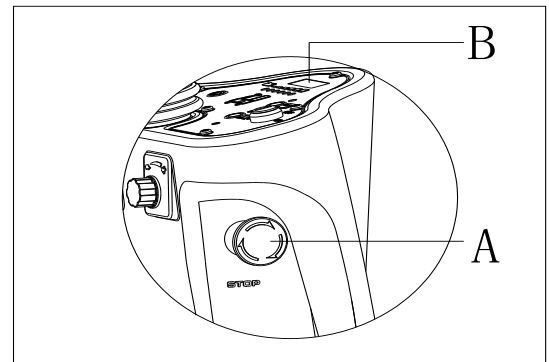


Figura 5

**Cargar las baterías**

13. Cargar las baterías. [Ver capítulos de MANTENIMIENTO].

**FRENO DE EMERGENCIA**

Si ocurre alguna emergencia durante el funcionamiento, pulse el interruptor de emergencia, (A, Figura 5), y todas las funciones de la máquina se detendrán, no se muestra en el panel de control (B, Figura 5)

**INSTALACIÓN Y DESINSTALACIÓN DEL CEPILLO/ALMOHADILLA**



**NOTA**

Instale cepillo adecuado (A, Figura 6) o Pad (B y C, Figura 6) según el tipo de suelo que quiera limpiar.



**PRECAUCIÓN**

Antes de la instalación o desinstalación del cepillo o almohadilla, asegúrese de que todos los interruptores de la máquina están en posición de 'off' y la escobilla levantada del suelo. El operario debe estar equipado con dispositivos de protección como guantes para reducir el riesgo de accidentes. Siga las instrucciones:

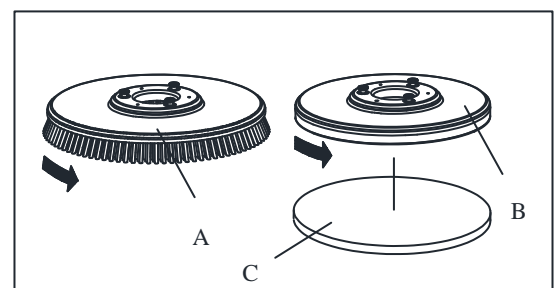


Figura 6

1. Inserte llave de encendido (40) y gire a "ON".
2. Presione el pedal (6) con el pie hacia adelante para elevar el ensamble del cepillo (11) del suelo.
3. Gire la perilla de ajuste de velocidad (42) al contrario de las agujas del reloj hasta el final.
4. Coloque el cepillo (A, Figura 5) o almohadilla (B, Figura 5) alineado con el soporte del cepillo.
5. Presione el pedal (6) con el pie hacia atrás para bajar el ensamble del cepillo (11). Siéntese en el asiento, presione el botón de cepillo (39) y presione el pedal (23) suavemente, el cepillo/almohadilla puede ensamblarse automáticamente. Repita estos pasos hasta que el cepillo/almohadilla esté instalado.
6. Si el paso 5 instala el cepillo/almohadilla pero sin éxito, por favor hágalo manualmente.
7. Presione el pedal (6) hacia adelante con el pie para elevar el ensamble del cepillo (11) del suelo, presione el botón para quitar el cepillo (41) para desinstalarlo automáticamente.



### ¡PRECAUCIÓN!

Gire la palomilla de ajuste de velocidad (42) a la velocidad mínima antes de presionar el pedal de aceleración (6) para evitar que la máquina se inicie demasiado rápido al arrancar. Asegúrese de que el cepillo/almohadilla esté instalado correctamente antes de poner a funcionar la máquina.

## AJUSTAR EL BALANCE DE LA BOQUILLA DE ASPIRACIÓN

1. Instale la escobilla (13) y sujete la palomilla de la escobilla (20), luego conecte la manguera aspiradora (19) a la escobilla.
2. Ajuste la posición de la escobilla de goma mediante la palanca de ajuste de la escobilla de goma (A, Figura 7).
  - a) Si queda un espacio entre el suelo y sección media del labio posterior de la boquilla (B), ajuste la palomilla (A) en dirección anti horaria (F) hasta que la entera sección del labio posterior de la boquilla entre en buen contacto con el suelo, el labio delantero tocando el suelo ligeramente.
  - b) Si hay espacio entre el suelo y los dos extremos de la lámina posterior (C y D), ajuste la perilla (A) en dirección horaria (E) hasta que la entera sección de la lámina posterior entre en buen contacto con el suelo, la lámina delantera tocando el suelo ligeramente.

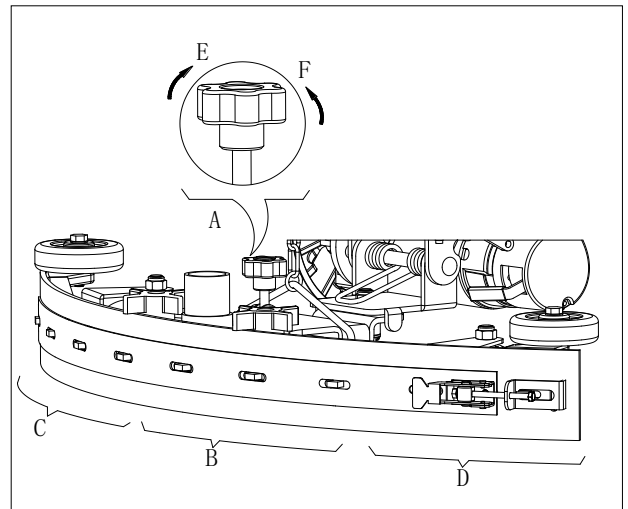


Figura 7

## SOLUCIÓN DE RELLENO DEL DEPÓSITO

1. Abra la tapa de la entrada de agua (E, Figura 8).
2. A través de la entrada de agua con filtro llene agua o solución adecuada para el tipo de trabajo a realizar. La temperatura de la solución no debe ser superior a los +104F (+40°C).
3. No llene el depósito en exceso. Refiérase al indicador del nivel de agua (G) en cuanto al volumen del agua.



### ¡ADVERTENCIA!

Utilice solo detergentes no inflamables y de baja espuma, indicados para el uso en fregadoras automáticas.

## Inspección Motor de Arranque

1. Gire el interruptor de llave (A, Figura 9) hacia "ON".
2. Presione el pedal de aceleración (C) suavemente luego suéltelo para comprobar que la máquina puede orientarse hacia adelante y detenerse.
3. Para mayor seguridad, confirme si la máquina puede detenerse inmediatamente presionando el botón de emergencia (B). Gire el botón de emergencia para reiniciarlo.



### PRECAUCIÓN

La capacidad de ascenso de la máquina no debe exceder el 10%.



### PRECAUCIÓN

El freno del motor de arranque está desbloqueado cuando el motor funciona normalmente, se bloquea cuando el motor deja de funcionar.

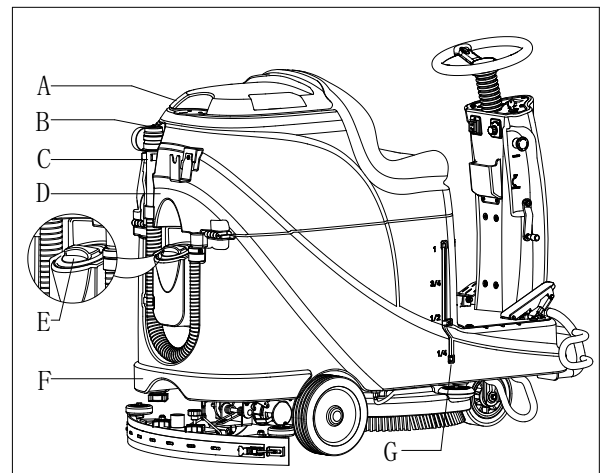


Figura 8



## Parar la máquina

11. Afloje el pedal de aceleración (R, Figura 10), la máquina deja de funcionar.
12. Pulse el botón del cepillo (B) para parar el motor del cepillo.
13. Eleve el ensamble del cepillo (T) presionando el pedal (Q).
14. Eleve el ensamble del cepillo (U) subiendo/bajando la palanca de la escobilla (O), y unos segundos después, el sistema de aspiración se cerrará.
15. Gire el interruptor de llave hacia "OFF"
16. Asegúrese de que la máquina está apagada.

## CONDUCCIÓN DE LA MÁQUINA (FREGAR Y SECAR)

1. Encienda la máquina siguiendo las instrucciones de los párrafos anteriores.
2. Comience a limpiar siguiendo las instrucciones en la sección "Iniciar la máquina"
3. Si es necesario, detenga la máquina para ajustar la escobilla según la sección "Ajuste de la estabilidad de la escobilla".



### ¡PRECAUCIÓN!

Para evitar daños en la superficie del suelo, apague el mango del cepillo/almoHADILLA cuando la máquina se pare en un sitio.



### NOTA

Para un fregado /secado del suelo por el lado de las paredes, le sugerimos que se acerque a las paredes por el lado derecho (lado de la rueda parachoques) de la máquina como se muestra en la Figura 11.

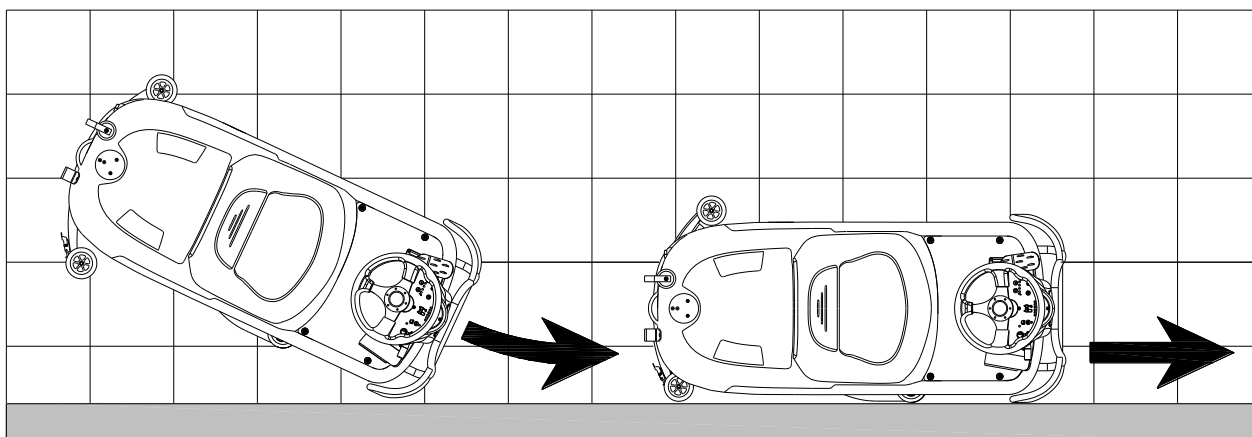


Figura 11

## Carga de batería durante el funcionamiento

Cuando la luz verde está encendida (A, Figura 12), las baterías tienen suficiente energía para que la máquina funcione con normalidad; cuando todas las luces verdes están apagadas, la luz amarilla (C, Figura 12) está encendida, la carga de las baterías es demasiado baja, por favor cárguelas; cuando la luz roja parpadee (B, Figura 12), las baterías están descargadas, el motor aspirador y el motor del cepillo se apagarán automáticamente unos segundos más tarde, por favor lleve la máquina para cargar las baterías inmediatamente.



### ¡PRECAUCIÓN!

Para evitar daños en las baterías y acortarles su vida útil, no use la máquina cuando las baterías están descargadas.

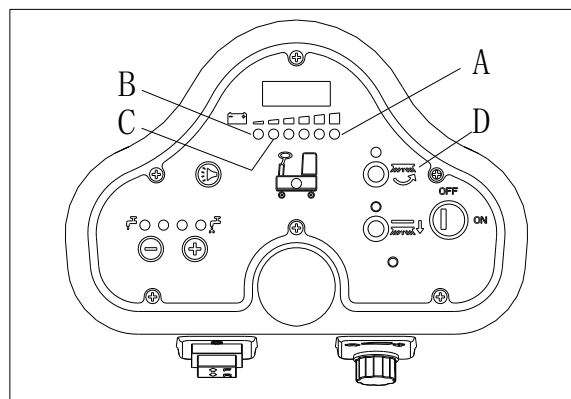


Figura 12

## VACIAR LOS DEPÓSITOS

Un sistema de cierre del flotador automático (B, Figura 13) bloquea el sistema de aspiración cuando el depósito de agua sucia (C) está lleno. La desactivación del sistema de aspiración se indica mediante un aumento repentino en la frecuencia de ruido del motor del sistema de aspiración, y también el suelo no se seca.



### ¡PRECAUCIÓN!

Si el sistema de aspiración se apaga accidentalmente (por ejemplo, cuando el flotador se activa debido a un movimiento brusco de la máquina), para reanudar la operación: apague el sistema de aspiración pulsando el interruptor (D, Figura 12), a continuación, abra la tapa (A, Figura 11) y compruebe que el flotador dentro de la rejilla (B) ha bajado al nivel del agua. Luego cierre la tapa (A) y ponga en marcha el sistema de aspiración pulsando el interruptor (D, Figura 12).

Cuando el depósito de agua sucia (C, Figura 13) está lleno, vacíelo de acuerdo con el siguiente procedimiento.

### Vaciar el depósito de agua sucia

1. Pare la máquina.
2. Levante el grupo de cepillo del portacepillos/porta-discos (H, Figura 12) pisando el pedal (G).
3. Levante la boquilla de aspiración usando la palanca (H).
4. Conduzca la máquina a la zona de vertido designada.
5. Vacíe el depósito de agua sucia usando la manguera (D).  
A continuación, enjuague el depósito con agua limpia.



### ¡PRECAUCIÓN!

Cuando desagüe los restos de agua, la manguera de drenaje debe estar doblada (A, Figura 14) y colocada en una posición baja (B, Figura 14) antes de abrir la tapa de la manguera de drenaje. No suba la salida de la manguera de drenaje para drenar el agua verticalmente para evitar que el agua residual caiga sobre la máquina.

### Vaciado de depósito de Agua limpia/Solución

6. Siga los pasos 1 al 4 en el capítulo "Vaciado del tanque de recuperación".
7. Vacíe el depósito de solución por medio de la tapa de salida (A, Figura 15). Luego, enjuague el depósito con agua limpia.

## DESPUÉS DE USAR LA MÁQUINA

Después de usar, antes de guardar la máquina:

1. Retire los portacepillos/porta-discos.
2. Vacíe los depósitos (B y C, Figura 15) tal y como se indica en el apartado anterior.
3. Vaciar el depósito de solución (Consejo).
4. Guarde la máquina en un lugar limpio y seco, con los portacepillos/porta-discos y la escobilla de goma levantados o desmontados.

## INACTIVIDAD PROLONGADA DE LA MÁQUINA

Si la máquina no va a ser utilizada durante más de 30 días, proceda de la siguiente manera:

1. Siga las instrucciones del párrafo "TRAS USAR LA MÁQUINA".
2. Desconecte el conector de la batería (D, Figura 15).

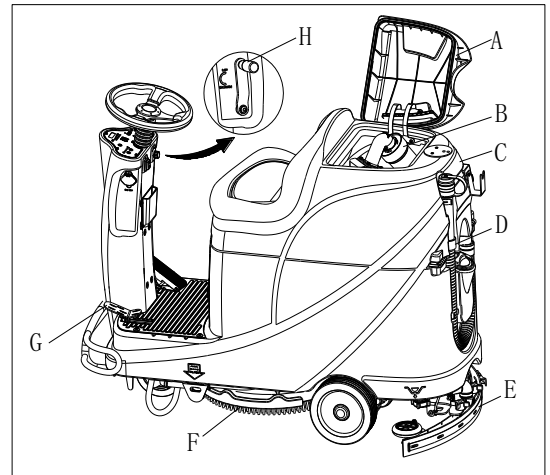


Figura 13

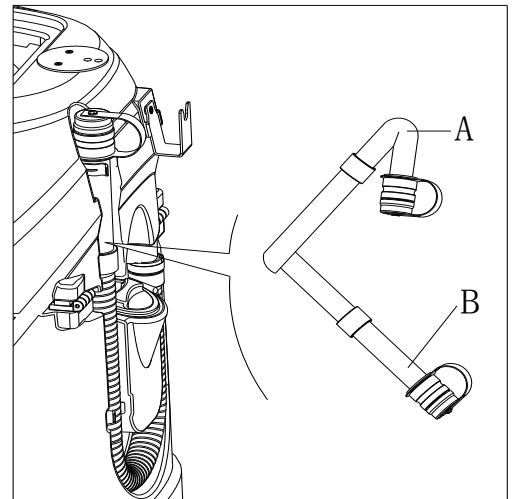


Figura 14

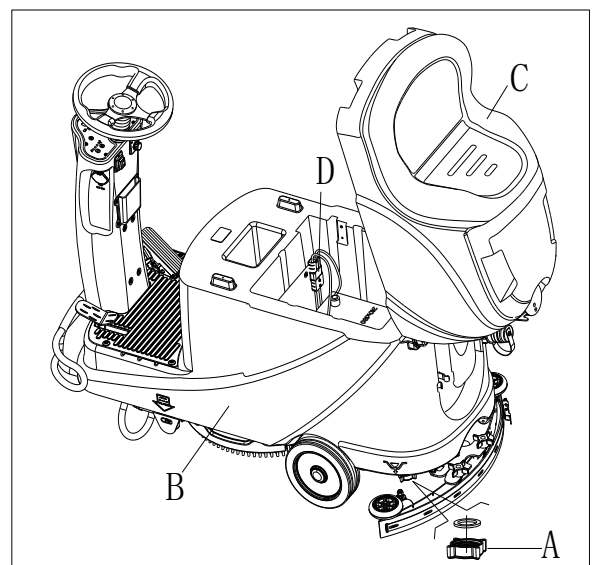


Figura 15

## PRIMER USO

Tras nueve horas de uso la primera vez, por favor revise si hay algún daño o situación anormal, revise que los cierres y fijaciones están sueltos.

## MANTENIMIENTO



### ¡ADVERTENCIA!

Los procedimientos de mantenimiento deben ser realizados cuando la máquina está apagada y el cable del cargador de la batería está desconectado. Además, lea atentamente los capítulos de seguridad en el manual.

Todos los procedimientos de mantenimiento programado o extraordinario deben ser realizados por personal cualificado o un Centro de Servicio autorizado. Este manual sólo describe los procedimientos de mantenimiento generales y comunes.

Para otros procedimientos de mantenimiento que no están en la tabla abajo del programa de mantenimiento, por favor refiérase al Manual de Servicio que puede ser consultado en cualquier Centro de Servicio de nuestra empresa.

## TABLA DE MANTENIMIENTO PROGRAMADO



### ¡PRECAUCIÓN!

El procedimiento marcado con (1) debe realizarse 9 horas después del primer uso de la máquina.

El procedimiento marcado con (2) debe ser realizado por el Centro de Servicio designado por nuestra empresa.

Procedimiento	Diario, después de cada uso	Semanal	Cada 6 meses	Anualmente
Cargar la batería				
Limpiar la escobilla de goma				
Limpiar el cepillo/soporte de la almohadilla				
Limpiar los tanques				
Inspeccionar las tiras de sellado de los tanques				
Limpiar el filtro del flotador de bola				
Inspección y cambio de las láminas de la boquilla de aspiración				
Limpiar el filtro de agua				
Limpiar el filtro de aspiración				
Control del nivel de líquido de la batería WET				
Inspeccionar si los tornillos y tuercas están bien apretados			(1)	
Inspeccionar o reemplazar la escobilla de carbón del cepillo/soporte de del grupo de cepillo				(2)
Inspeccionar o reemplazar la escobilla de carbón del motor de aspiración				(2)
Inspección o cambio del cepillo de carbón del motor del sistema de accionamiento (solo para máquinas con tracción)				(2)
Añadir aceite lubricante a las partes rotatorias			(1)	

## CARGAR LA BATERÍA



### NOTA

Por favor, cargue las baterías cuando el LED amarillo (32) o el LED rojo (33) se iluminan, o al final de cada ciclo de trabajo.



### ¡PRECAUCIÓN!

Siempre mantenga la batería en un estado de carga completa para extender su vida útil.



### ¡PRECAUCIÓN!

Por favor, cargue la batería lo más pronto posible si el nivel de batería es bajo, de lo contrario la vida útil de la batería puede reducirse. Es mejor para inspeccionar la batería al menos una vez a la semana.



### ¡PRECAUCIÓN!

Sea especialmente cuidadoso cuando las baterías se están cargando ya que pueden filtrar ácido en el proceso de carga. El ácido de batería es corrosivo, si por accidente entra en contacto con la piel o los ojos, enjuáguese inmediatamente con agua limpia y visite a un médico.

### Pasos preparatorios para cargar las baterías

1. Abra la tapa del depósito de recuperación (B, Figura 16) para ver si el depósito de recuperación (C) está vacío, o vacíe el depósito de recuperación con la manguera de drenaje (A).
2. Conduzca la máquina al área de carga designada.
3. Gire el interruptor de llave hacia "OFF".
4. Este paso es sólo para baterías WET:
  - Limpie la superficie de la batería si es necesario.
  - Revise el nivel de electrolitos de la batería (D), si es necesario, abra la tapa para llenar electrolito, luego vuelva a cubrirlo.
  - Mantenga la tapa abierta durante la carga.
5. Seleccione uno de los modos base de carga según el tipo de cargador elegido.

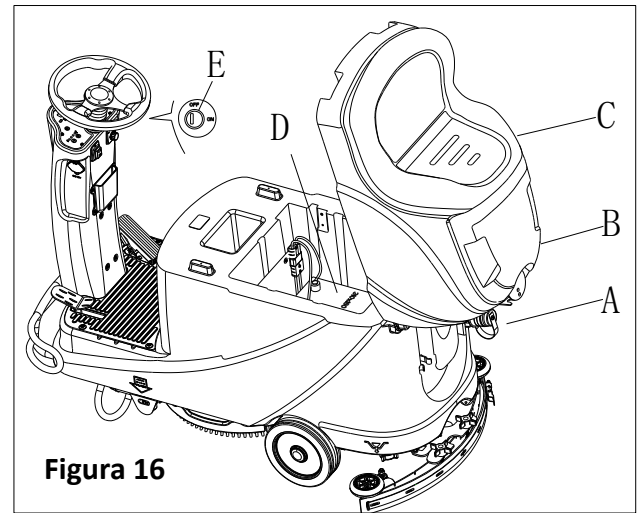


Figura 16

### Uso del cargador a bordo para cargar batería

6. Conecte el cable cargador de batería (A, Figura 17) a la red eléctrica (G), luego todas las funciones de la máquina, excepto la función de carga, se cortan automáticamente. El LED rojo normal (B) marca que la máquina está en proceso de carga.
7. La carga de las baterías está completa cuando el LED verde (C) se enciende.
8. Desconecte el cable cargador de batería de la red eléctrica una vez la carga sea completada, luego guarde el cable cargador de batería en la caja de almacenamiento (D).

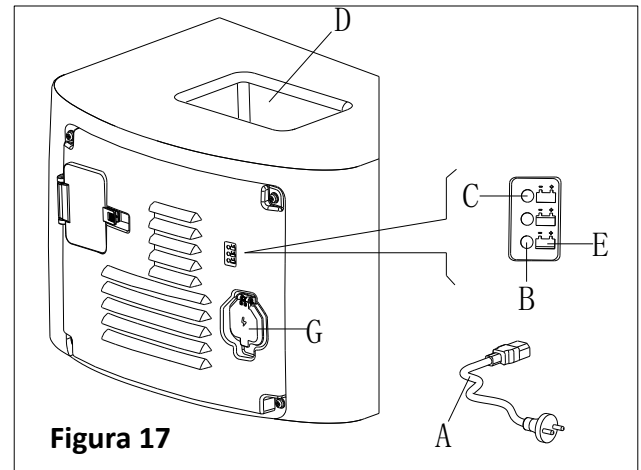


Figura 17



### NOTA

Para más información sobre la carga a bordo (E, Figura 17), por favor consulte el manual del centro de servicio.

### LIMPIAR EL CEPILLO/DISCOS



### ¡PRECAUCIÓN!

Se recomienda usar guantes al limpiar el cepillo o el soporte de la almohadilla, ya que puede contener fragmentos afilados.

1. Retire el cepillo/soporte del pad según los procedimientos de las secciones anteriores.
2. Lave el cepillo/soporte del pad con agua y detergente.
3. Compruebe las condiciones de integridad y la abrasión de las cerdas del cepillo, si es necesario, reemplace el cepillo.
4. Verificar el estado abrasión del pad de pulido, de ser necesario, cámbielo.

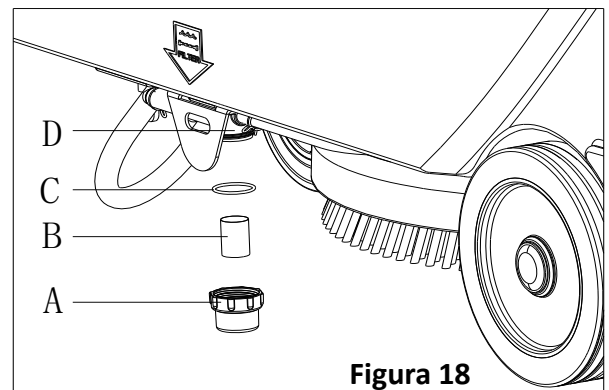


Figura 18

## LIMPIEZA DEL FILTRO DE SOLUCIÓN

1. Conduzca la máquina hacia una superficie plana.
2. Asegúrese de que la máquina está apagada.
3. Vacíe el depósito de solución (paso opcional).
4. Quite la tapa del filtro de solución (A, Figura 18) para limpiar la malla del filtro (B), y luego colóquelo de nuevo en el soporte del filtro (D).



### NOTA

La malla del filtro (B) debe estar correctamente colocada en la carcasa del soporte del filtro (D).

## LIMPIEZA DE LOS LABIOS



### NOTA

La boquilla deben estar limpia igual que los labios de goma deben estar en buenas condiciones con el fin de conseguir un buen secado.



### ¡PRECAUCIÓN!

Es aconsejable usar guantes de protección al limpiar la escobilla de goma, ya que puede haber escombros cortantes.

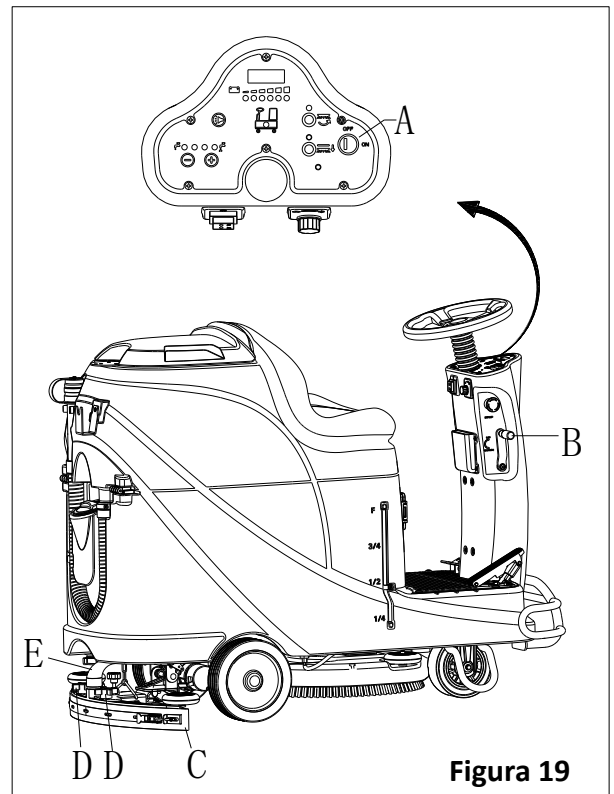


Figura 19

1. Conduzca la máquina hacia suelo plano.
2. Gire el interruptor de llave (A, Figura 19) hacia "OFF".
3. Baje la escobilla (B) con la palanca (C).
4. Afloje las perillas (D) y retire la escobilla.
5. Desconecte la manguera aspiradora (E) de la escobilla.
6. Limpie la escobilla de acero o aluminio, especialmente los compartimentos (A, Figura 20) y los orificios (B). Revise la integridad, cortes y rasguños de la cuchilla frontal (B) y la cuchilla trasera (C), si es necesario, reemplácelas según las instrucciones del siguiente párrafo.
7. Ensamble la escobilla en el orden contrario de desmontaje.

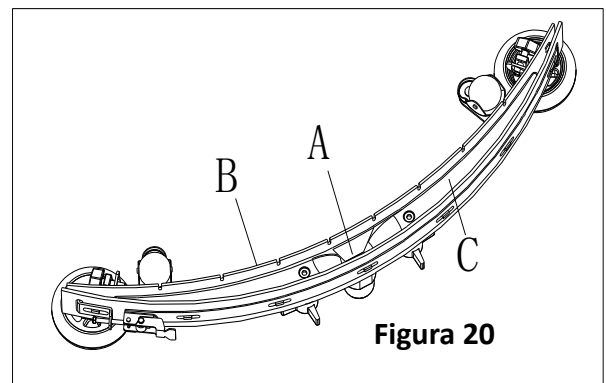


Figura 20

## INSPECCIÓN Y CAMBIO DE LAS LÁMINAS DE LA BOQUILLA DE ASPIRACIÓN

1. Limpie el escurridor de acero o de aluminio, tal y como se indica en el apartado anterior.
2. Compruebe si los bordes (E, Figura 21) de la lámina delantera (C) y los bordes (F) de la lámina posterior (D) están en el mismo nivel, en su longitud; si es necesario ajuste su altura de acuerdo con el siguiente procedimiento:
  - Retire la barra de unión (G), desenganche los elementos de fijación (M) y ajuste la lámina posterior (D), luego enganche los elementos de fijación (M) y vuelva a instalar la barra de unión (G).
  - Afloje las perillas (I) y ajuste la lámina delantera (C), luego apriete las perillas.
3. Compruebe si se detectan signos de desgaste, cortes y grietas en la lámina delantera (C) y en la posterior (D); si es necesario reemplácelas de acuerdo con el siguiente procedimiento. Compruebe si la esquina frontal (J) de la lámina posterior (D) está desgastada; si es necesario, dé la vuelta a la lámina para sustituir la esquina desgastada con la íntegra. Si ambas las esquinas están demasiado desgastadas, reemplace la lámina de acuerdo con el siguiente procedimiento:
  - Retire la barra de unión (G), desenganche los elementos de fijación (M) y retire el listón de retención (K). A continuación, reemplace/dé la vuelta a la lámina posterior (D). Monte la lámina en el orden inverso al desmontaje.
  - Desenrosque las perillas (I) i retire el listón de retención (L), a continuación, reemplace la lámina delantera (C). Monte la lámina en el orden inverso al desmontaje. Después de la sustitución (o la vuelta) de la lámina, ajuste la altura como se muestra en el paso anterior.
4. Conecte el tubo de aspiración (A, Figura 22) con la escobilla de goma.
5. Monte la escobilla de goma (B) y enrosque las perillas (C).
6. Si es necesario, ajuste el balance de la escobilla mediante la perilla de ajuste (D).



## REJILLA DEL DEPÓSITO Y DE LA ASPIRACIÓN CON LIMPIEZA DEL FLOTADOR E INSPECCIÓN DE LA JUNTA DE LA TAPA

1. Conduzca la máquina a una superficie nivelada.
2. Asegúrese que la máquina está apagada y la llave de ignición (40) ha sido retirada.
3. Gire la tapa del tanque de recuperación (A, Figura 23) a la posición de 90 grados, donde se puede despegar del tanque, y luego desmonte el filtro de flotador de bola (P) del tanque.
4. Limpie la tapa del tanque de recuperación (A), tanque de recuperación (B), el tanque de agua limpia (C) y el marco de soporte de filtro del flotador (E). Vacíe el tanque de recuperación usando la manguera de vaciado (15).
5. Si es necesario, siga los símbolos "ABIERTO" y "CERRADO", como se muestra en la Figura 23 para abrir la tapa inferior (F) del filtro del flotador de bola y luego limpiar la bola del flotador (D), el marco de soporte del filtro (E) y la esponja de filtro (I). Después de la limpieza, fijar la bola del flotador (D) en el marco de soporte del filtro (E) y luego alinee la ranura de marca (L) de la tapa inferior (F) del filtro del flotador con la ranura de marca (L) del marco de soporte del filtro del flotador (E). Enrosque la tapa inferior del filtro flotador de bola apretándola bien, y fijar la esponja del filtro (I) en el marco de soporte del filtro del flotador (E). Por último, conecte la manguera de aspiración de agua sucia (M).
6. Inspeccione la integridad de las tiras de sellado de los tanques.

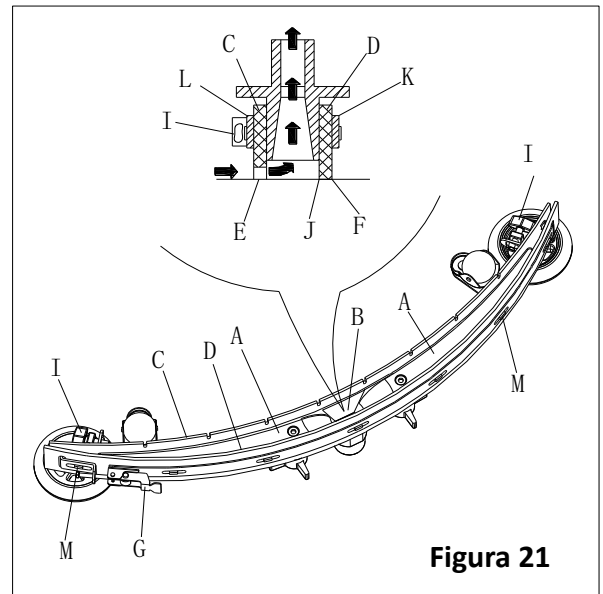


Figura 21

### NOTA

**La tira de sellado del tanque (G) sirve para producir el vacío dentro del tanque cuando funciona el motor de aspiración. El tanque debe ser sellado para poder absorber eficazmente el agua del suelo hasta el depósito de recuperación.**

7. Compruebe si la superficie de contacto de la tira de sellado (G) de sellado es íntegra y el sellado es suficiente. Si es necesario, saque la tira de sellado del tanque a través de la ranura (H) y reemplácela. Aplique una nueva tira de sellado como se muestra en la Figura 23, la junta debe estar de vuelta en la zona media.
8. Cierre la tapa del tanque de recuperación (A).

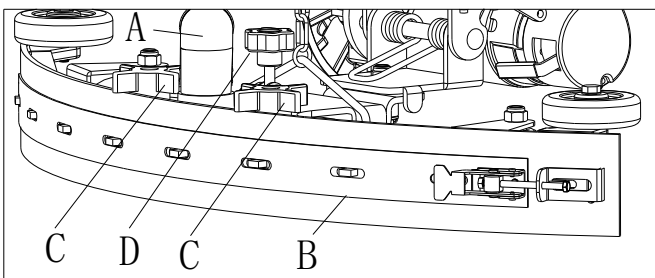


Figura 22

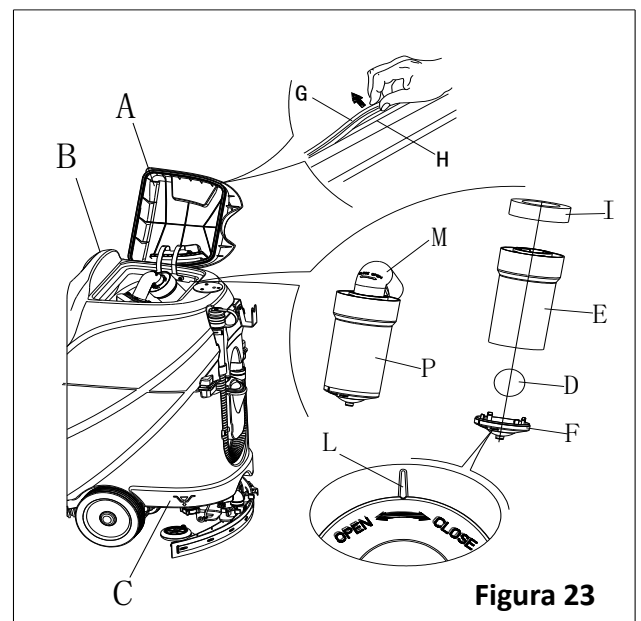


Figura 23

### REVISIÓN DE FUSIBLE/REEMPLAZO

1. Gire el interruptor de llave (D, Figura 24) hacia "OFF".
2. Desconecte el cable de conexión de batería.
3. Desatornille los tornillos (C) del panel de control y gire hacia el PDBA para encontrar el fusible (A y B).
4. Revise/reemplace los fusibles:
  - A) F1 es el fusible de circuito de baja potencia (5A)
  - B) F3 es el fusible de desmontaje del cepillo (20A)
5. Tras terminar de revisar/reemplazar, vuelva a ensamblar en el orden contrario del desmontaje.
6. Revise o reinicie el protector de sobrecarga del motor.
  - E) F5 es el protector de sobrecarga del motor aspirador (30A)
  - F) F4 es el protector de sobrecarga del motor de arranque (30A)
  - G) F2 es el protector de sobrecarga del motor del cepillo (30A)

### ACCESORIOS/OPCIONES

Además de los componentes estándar, la máquina puede equiparse con los siguientes accesorios/opciones, de acuerdo con su uso específico.

Para más información sobre los accesorios opcionales mencionados anteriormente, póngase en contacto con un distribuidor autorizado.

#### Accesorios/Opciones

Consulte la sección «Lista de piezas»

1. Baterías de GEL/AGM
2. Discos de diferentes materiales

### RESOLUCIÓN DE PROBLEMAS

PROBLEMA	Causa probable	Remedio
Los motores no funcionan; ninguna luz de aviso se enciende (C9)	El conector de baterías está desconectado	Conecte el conector de batería
	Las baterías están completamente descargadas	Cargue las baterías
La máquina no funciona, se enciende la luz roja de aviso de capacidad de batería (C8)	La carga de las baterías es demasiado baja	Cargue las baterías
La máquina no va hacia adelante/atrás	Fallo del panel de control de circuitos	Reemplace el panel de control de circuitos
	Fallo de controlador del motor de arranque	Consulte "INFORMACIÓN DEL INDICADOR DE ERROR DEL MOTOR DE ARRANQUE"
	El operador no está en el asiento	Siéntese en el asiento
	La escobilla no está elevada mientras la máquina va marcha atrás	Eleve la escobilla
El motor del cepillo no funciona	Fallo del panel de control de circuitos	Reemplace el panel de control de circuitos
	Sobrecarga del motor de cepillo	Use un cepillo de cerdas blandas apto para limpieza, y reinicie el protector de sobrecarga del motor de cepillo.
	Fallo del contactor del motor del cepillo	Contacte con el servicio post-venta
	Desgaste de escobillas motor del cepillo	Contacte con el servicio post-venta
	Obstáculos impiden que el cepillo gire	Limpie el cepillo
El motor de arranque no funciona	Se enciende la luz de aviso de problemas en el motor de arranque	Consulte "INFORMACIÓN DEL INDICADOR DE ERROR DEL MOTOR DE ARRANQUE"

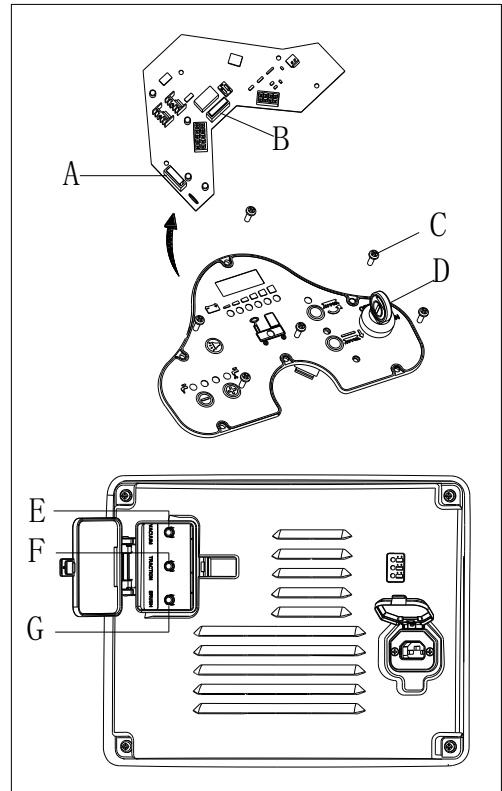


Figura 24

	Motor de arranque sobrecargado	Reinicie el protector de sobrecarga del motor de arranque y revise el motor de arranque/circuito
El motor aspirador no funciona	Motor aspirador sobrecargado	Reinicie el protector de sobrecarga del motor aspirador y revise el motor aspirador
	Relé de fallo de motor aspirador	Contacte con el servicio post-venta
	Control Fallo del panel de control	Reemplace el panel de control
Succión insuficiente, el suelo no puede secarse	Depósito de recuperación lleno	Vacíe el depósito de recuperación
	Mala conexión entre escobilla y manguera de drenaje	Conecte la manguera de drenaje y la escobilla correctamente
	Filtro con boya bloqueado	Limpie el filtro con boya y revise la colocación del filtro con boya
	La escobilla está sucia o desgastada	Revise y limpie la escobilla
	La cubierta del tanque de recuperación no está bien cerrada, o la junta está dañada, el tubo curvo está obstruido	Cierre bien la cubierta, o reemplace la junta o limpie el tubo curvo.
	El tanque de recuperación está sucio	Limpie el tanque de recuperación
Suministro insuficiente de solución al grupo de cepillo	El filtro de solución está sucio	Limpie el filtro
	La luz indicadora de depósito vacío de solución	Llene el depósito de solución
	El depósito de solución está demasiado sucio	Limpie el depósito de solución
Boquilla araña el suelo	Hay residuos bajo los labios de la boquilla	Elimine los residuos
	Labios desgastados, agrietados o viejos	Reemplace los labios de la boquilla
	La estabilidad de la escobilla no está ajustada	Ajuste la estabilidad de la escobilla
Fallo en el freno del motor de arranque	El freno está bloqueado	Desbloquee el freno

### INFORMACIÓN DEL INDICADOR DE ERROR DEL MOTOR DE ARRANQUE

	CÓDIGOS LED	FALLO	POSIBLE CAUSA
1.1	○○	FALLO TERMICO	<ol style="list-style-type: none"> <li>1. Temperatura &gt;80°C o &lt; -10°C.</li> <li>2. Carga excesiva en el vehículo.</li> <li>3. Funcionamiento en ambientes extremos.</li> <li>4. Freno electromagnético no liberado.</li> </ol>
1.2	○○○	FALLO ACELERADOR	<ol style="list-style-type: none"> <li>1. Cable de entrada del acelerador abierto o acortado.</li> <li>2. Acelerador defectuoso.</li> <li>3. Seleccionado tipo de acelerador erróneo.</li> </ol>
1.3	○○○○	FALLO POTENCIÓMETRO	<ol style="list-style-type: none"> <li>1. Cable(s) del limitador de velocidad roto o acortado.</li> <li>2. Limitador de velocidad roto.</li> </ol>
1.4	○○○○○	FALLO SUBTENSIÓN	<ol style="list-style-type: none"> <li>1. Voltaje de baterías &lt;17 voltios.</li> <li>2. Mala conexión de batería o controlador.</li> </ol>
1.5	○○○○○○	FALLO SOBRETENSIÓN	<ol style="list-style-type: none"> <li>1. Voltaje de baterías &gt;31 voltios.</li> <li>2. Vehículo funcionando con el cargador conectado.</li> <li>3. Conexión intermitente de batería.</li> </ol>
2.1	○○○	FALLO DEL PRINCIPAL APAGADO	<ol style="list-style-type: none"> <li>1. Fallo de apertura del conductor contactor principal.</li> </ol>
2.3	○○○○○	FALLO PRINCIPAL*	<ol style="list-style-type: none"> <li>1. Contactor principal desgastado o apertura bloqueada.</li> <li>2. Fallo del conductor contactor principal.</li> </ol>

2.4	□□□□□□□□	FALLO DEL PRINCIPAL ENCENDIDO	1. Fallo de cierre de conductor contacto principal.
3.1	□□□□□	FALLO DE CABLEADO *	1. Acelerador desajustado. 2. Acelerador o mecanismo de aceleración roto.
3.2	□□□□□□	FALLO FRENO ENCENDIDO	1. Conductor del freno electromagnético acortado. 2. Bobina de freno electromagnético abierta.
3.3	□□□□□□□□	FALLO PRECARGA *	1. Conductor de freno roto. 2. Precargue el circuito dañado. 3. Fallo MOSFET.
3.4	□□□□□□□□□□	FALLO FRENO APAGADO	1. Conductor de freno electromagnético abierto. 2. Bobina de freno electromagnético acortada.
3.5	□□□□□□□□□□□□	FALLO HPD	1. Secuencia inapropiada de acelerador y KSI, empuje, o inhibir entradas. 2. Acelerador mal ajustado.
4.1	□□□□□□	FALLO DIRECCIÓN *	1. Cortocircuito en el motor o en cableado del motor. 2. Fallo de controlador.
4.2	□□□□□□□□	MECANISMO SEGURIDAD DEL HARDWARE *	1. El voltaje del motor no se corresponde con el acelerador requerido. 2. Cortocircuito en el motor o en el cableado del motor. 3. Fallo de controlador.
4.3	□□□□□□□□□□	FALLO DE SUMA DE CONTROL EEPROM †	1. Fallo EEPROM.
4.5	□□□□□□□□□□□□	FALLO BATERIA DESCONECTADA *	1. Batería no conectada. 2. Mala conexión a los terminales de batería.

\* = Debe girar el interruptor de llave para autorizar.

† = Debe usar programador para autorizar, de la siguiente manera: seleccione menú Programa, cambie los valores de los datos de cualquier parámetro, gire el interruptor de llave.



#### NOTA

La máquina que está equipada con cargador a bordo no se pondrá en funcionamiento cuando el cargador a bordo no funcione, por favor contacte con nuestro centro de mantenimiento para obtener ayuda.

#### DESGUACE

Deseche la máquina mediante una institución de tratamiento de residuos calificada.

Antes de desechar máquina, por favor lleve y separe el subconjunto a continuación que debe eliminarse en forma adecuada según las leyes y reglamentos pertinentes.

- Batería
- Cepillo/Soporte de la almohadilla
- Manguera y piezas de plástico
- Componentes eléctricos y electrónicos (\*)

(\*) Por favor contacte con nuestro centro de servicio para desechar cualquier componente electrónico o eléctrico.



**Nilfisk Inc.**  
**9435 Winnetka Avenue North**  
**Minneapolis, MN 55445**  
**[www.usvipер.com](http://www.usvipер.com)**